

CATALOGUE/CATALOGO/КАТАЛОГ/قائمة موبه/KATALOG

AĞIR ARAÇ DİSK BALATA • COMMERCIAL VEHICLE BRAKE PADS  
ДИСКОВЫЕ ТОРМОЗНЫЕ КОЛОДКИ ДЛЯ БОЛЬШЕГРУЗНЫХ АВТОМОБИЛЕЙ  
PLAQUETTES DE FREIN POUR LES VEHICULES COMMERCIAUX  
فدمات للشاحنات

*commercial  
vehicle  
brake  
/pads*



**BEŞER**<sup>®</sup>







Balatacılık San. ve Tic. A.Ş.

CATALOGUE/CATALOGO/KATALOG/قائمة مبوبة/KATALOG

**BRAKE PAD ILLUSTRATIONS**





# CONTENTS

VEHICLE APPLICATION

1

BRAKE PAD ILLUSTRATIONS

221

MANUFACTURERS CROSS REFERENCE TABLE

233

CROSS REFERENCE




279



# **VEHICLE APPLICATION**





MAKE & MODEL  	YEAR	KW	PS	CC		
<b>BERKHOF</b>						
Ambassador ALE 106-205, ALE 120-205	07.2007 -	151	205	6700	4091	
Ambassador ALE 106-205, ALE 120-205	07.2007 -	151	205	6700	3664	3664
Ambassador ALE 106-225, ALE 120-225	07.2007 -	165	225	6700	4091	
Ambassador ALE 106-225, ALE 120-225	07.2007 -	165	225	6700	3664	3664
<b>BOVA</b>						
Futura FHD 10, FHD 12, FHD 13, FLD 12, FLD 13	09.2001 - 09.2006	250	340	12580	3664	
Futura FHD 10, FHD 12, FHD 13, FLD 12, FLD 13	09.2001 - 09.2006	250	340	12580	4091	
Futura FHD 104, FHD 120, FHD 127, FLD 104, FLD 120, FLD 127	10.2006 - 09.2008	265	360	9200	3664	
Futura FHD 104, FHD 120, FHD 127, FLD 104, FLD 120, FLD 127	10.2006 - 09.2008	265	360	9200	4091	
Futura FHD 12, FHD 13	09.2001 - 09.2006	280	381	12580	3664	
Futura FHD 12, FHD 13	09.2001 - 09.2006	280	381	12580	4091	
Futura FHD 14 Magnum, FLD 15 Magnum	09.2001 - 09.2006	315	428	12580	4091	
Futura FHD 14 Magnum, FLD 15 Magnum	09.2001 - 09.2006	315	428	12580	3664	3664
Futura FLD 104, FLD 120, FLD 127	10.2006 - 09.2008	228	310	9200	3664	
Futura FLD 104, FLD 120, FLD 127	10.2006 - 09.2008	228	310	9200	4091	
Futura FLD 15 Magnum	09.2001 - 09.2006	280	381	12580	4091	
Futura FLD 15 Magnum	09.2001 - 09.2006	280	381	12580	3664	3664
Lexio LD 123, LD 130	09.2005 -	228	310	9200	4091	
Lexio LD 123, LD 130	09.2005 -	228	310	9200	3664	3664
Lexio LD 123, LD 130	09.2005 -	265	360	9200	4091	
Lexio LD 123, LD 130	09.2005 -	265	360	9200	3664	3664
Lexio LLD 123-310, LLD 130-310	07.2007 -	228	310	9200	4091	
Lexio LLD 123-310, LLD 130-310	07.2007 -	228	310	9200	3664	3664
Lexio LLD 123-365, LLD 130-365	12.2006 -	265	360	9200	4091	
Lexio LLD 123-365, LLD 130-365	12.2006 -	265	360	9200	3664	3664
Magiq HD 120, HD 122	10.1999 -	250	340	12580	4091	
Magiq HD 120, HD 122	10.1999 -	250	340	12580	3664	3664
Magiq HD 120, HD 122	10.1999 -	280	381	12580	4091	
Magiq HD 120, HD 122	10.1999 -	280	381	12580	3664	3664
Magiq HD 131 Magnum, HD 139 Magnum	10.1999 -	315	428	12580	4091	
Magiq HD 131 Magnum, HD 139 Magnum	10.1999 -	315	428	12580	3664	3664
Magiq MHD 122	10.2006 -	300	408	12900	4091	
Magiq MHD 122	10.2006 -	300	408	12900	3664	3664
Magiq MHD 131 Magnum, MHD 139 Magnum, MHD 148 Magnum	07.2007 -	340	462	12900	4091	
Magiq MHD 131 Magnum, MHD 139 Magnum, MHD 148 Magnum	07.2007 -	340	462	12900	3664	3664
Synergy DD 130, DD 138	09.2004 -	315	428	12580	4091	
Synergy DD 130, DD 138	09.2004 -	315	428	12580	3664	3664
Synergy DD 130, DD 138	09.2004 -	355	483	12580	4091	
Synergy DD 130, DD 138	09.2004 -	355	483	12580	3664	3664
Synergy SDD 130, SDD 141	07.2007 -	340	462	12900	4091	
Synergy SDD 130, SDD 141	07.2007 -	340	462	12900	3664	3664
Synergy SDD 130, SSD 141	07.2007 -	375	510	12900	4091	
Synergy SDD 130, SSD 141	07.2007 -	375	510	12900	3664	3664
<b>BPW</b>						
SH SHSF 12010 16 ECO MAXX	---	---	---	---		3902
SH SHSF 12010 16 ECO Plus	---	---	---	---		3902
SH SHSF 9010	---	---	---	---		3902
SH SHSF 9010 15 ECO	---	---	---	---		3902
SH SHSF 9010 15 ECO MAXX	---	---	---	---		3902
SH SHSF 9010 15 ECO Plus	---	---	---	---		3902
SH SHSF 9010 ECO	---	---	---	---		3902
SH SHSF 9010 ECO MAXX	---	---	---	---		3902
SH SHSF 9010 ECO Plus	---	---	---	---		3902
SH SHSFA 8010 ECO MAXX	---	---	---	---		3902
SH SHSFA 9010 15 ECO MAXX	---	---	---	---		3902
SH SHSFA 9010 ECO	---	---	---	---		3902
SH SHSFA 9010 ECO MAXX	---	---	---	---		3902
SH SHSM 10010 15 ECO	---	---	---	---		3902
SH SHSM 10010 15 ECO MAXX	---	---	---	---		3902
SH SHSM 10010 15 ECO Plus	---	---	---	---		3902
SH SHSM 10110 15 ECO	---	---	---	---		3902
SH SHSM 10110 15 ECO MAXX	---	---	---	---		3902
SH SHSM 10110 15 ECO Plus	---	---	---	---		3902
SH SHSM 12010 16 ECO MAXX	---	---	---	---		3902
SH SHSM 12010 16 ECO Plus	---	---	---	---		3902
SH SHSM 9010 15 ECO MAXX	---	---	---	---		3902



**MAKE & MODEL**



**YEAR**

**KW**

**PS**

**CC**



**BPW**

SH SHSM 9010 ECO	---	---	---	---		3902
SH SHSM 9010 ECO MAXX	---	---	---	---		3902
SH SHSMA 9010 ECO	---	---	---	---		3902
SH SHZ 12010 16 ECO MAXX	---	---	---	---		3902
SH SHZF 10010 15 ECO	---	---	---	---		3902
SH SHZF 10010 15 ECO MAXX	---	---	---	---		3902
SH SHZF 10010 15 ECO Plus	---	---	---	---		3902
SH SHZF 10110 15 ECO	---	---	---	---		3902
SH SHZF 10110 15 ECO MAXX	---	---	---	---		3902
SH SHZF 10110 15 ECO Plus	---	---	---	---		3902
SH SHZF 12010 16 ECO MAXX	---	---	---	---		3902
SH SHZF 12010 16 ECO Plus	---	---	---	---		3902
SH SHZF 14010 1 ECO MAXX	---	---	---	---		3902
SH SHZF 14010 15 ECO MAXX	---	---	---	---		3902
SH SHZF 9010 15 ECO	---	---	---	---		3902
SH SHZF 9010 15 ECO MAXX	---	---	---	---		3902
SH SHZF 9010 15 ECO Plus	---	---	---	---		3902
SH SHZF 9010 ECO	---	---	---	---		3902
SH SHZF 9010 ECO MAXX	---	---	---	---		3902
SH SHZM 10010 15 ECO	---	---	---	---		3902
SH SHZM 10010 15 ECO MAXX	---	---	---	---		3902
SH SHZM 10110 15 ECO	---	---	---	---	3902	3902
SH SHZM 10110 15 ECO MAXX	---	---	---	---		3902
SH SHZM 10110 15 ECO Plus	---	---	---	---	3902	
SH SHZM 12010 16 ECO MAXX	---	---	---	---		3902
SH SHZM 12010 16 ECO Plus	---	---	---	---		3902
SH SHZM 9010 15 ECO MAXX	---	---	---	---		3902
SH SHZMA 9010 15 ECO MAXX	---	---	---	---		3902
SH SHSF 10010 15 ECO	---	---	---	---		3902
SH SHSF 10010 15 ECO MAXX	---	---	---	---		3902
SH SHSF 10010 15 ECO Plus	---	---	---	---		3902
SH SHSF 10110 15 ECO	---	---	---	---		3902
SH SHSF 10110 15 ECO MAXX	---	---	---	---		3902
SH SHSF 10110 15 ECO Plus	---	---	---	---		3902

**DAF**

75 CF FA 75 CF 250	02.1998 - 12.2000	183	249	9200	4091	
75 CF FA 75 CF 250	02.1998 - 12.2000	183	249	9200	4091	4091
75 CF FA 75 CF 290	02.1998 - 12.2000	212	288	9200	4091	4091
75 CF FA 75 CF 320	02.1998 - 12.2000	235	320	9200	4091	4091
75 CF FAG 75 CF 250,FAN 75 CF 250	02.1998 - 12.2000	183	249	9200	4091	4091
75 CF FAG 75 CF 290,FAN 75 CF 290	02.1998 - 12.2000	212	288	9200	4091	4091
75 CF FAG 75 CF 320,FAN 75 CF 320	02.1998 - 12.2000	235	320	9200	4091	4091
75 CF FAR 75 CF 250,FAS 75 CF 250	02.1998 - 12.2000	183	249	9200	4091	4091
75 CF FAR 75 CF 290,FAS 75 CF 290	02.1998 - 12.2000	212	288	9200	4091	4091
75 CF FAR 75 CF 320,FAS 75 CF 320	02.1998 - 12.2000	235	320	9200	4091	4091
75 CF FAT 75 CF 250	02.1998 - 12.2000	183	249	9200	4091	4091
75 CF FAT 75 CF 290	02.1998 - 12.2000	212	288	9200	4091	4091
75 CF FAT 75 CF 320	02.1998 - 12.2000	235	320	9200	4091	4091
75 CF FT 75 CF 250	02.1998 - 12.2000	183	249	9200	4091	4091
75 CF FT 75 CF 290	02.1998 - 12.2000	212	288	9200	4091	4091
75 CF FT 75 CF 320	02.1998 - 12.2000	235	320	9200	4091	4091
85 CF FA 85 CF 340	02.1998 - 12.2000	250	340	12580	4091	4091
85 CF FA 85 CF 380	02.1998 - 12.2000	280	381	12580	4091	4091
85 CF FA 85 CF 430	02.1998 - 12.2000	315	428	12580	4091	4091
85 CF FAC 85 CF 340	02.1998 - 12.2000	250	340	12580	4091	4091
85 CF FAC 85 CF 380	02.1998 - 12.2000	280	381	12580	4091	4091
85 CF FAC 85 CF 430	02.1998 - 12.2000	315	428	12580	4091	4091
85 CF FAD 85 CF 340	02.1998 - 12.2000	250	340	12580	4091	4091
85 CF FAD 85 CF 380	02.1998 - 12.2000	280	381	12580	4091	4091
85 CF FAD 85 CF 430	02.1998 - 12.2000	315	428	12580	4091	4091
85 CF FAG 85 CF 340,FAN 85 CF 340	02.1998 - 12.2000	250	340	12580	4091	4091
85 CF FAG 85 CF 380,FAN 85 CF 380	02.1998 - 12.2000	280	381	12580	4091	4091
85 CF FAG 85 CF 430,FAN 85 CF 430	02.1998 - 12.2000	315	428	12580	4091	4091
85 CF FAR 85 CF 340	02.1998 - 12.2000	250	340	12580	4091	4091
85 CF FAR 85 CF 380	02.1998 - 12.2000	280	381	12580	4091	4091
85 CF FAR 85 CF 430	02.1998 - 12.2000	315	428	12580	4091	4091
85 CF FAS 85 CF 340	02.1998 - 12.2000	250	340	12580	4091	4091



**MAKE & MODEL****YEAR****KW****PS****CC****DAF**

95 XF FAT 95 XF 480	01.1997 - 09.2002	355	483	12580	3664	3664
95 XF FAT 95 XF 530	01.1997 - 09.2002	390	530	12580	4091	4091
95 XF FAT 95 XF 530	01.1997 - 09.2002	390	530	12580	3664	3664
95 XF FAT 95 XF 530	01.1997 - 09.2002	390	530	14000	3664	3664
95 XF FT 95 XF 380	01.1997 - 09.2002	280	381	12580	4091	4091
95 XF FT 95 XF 380	01.1997 - 09.2002	280	381	12580	3664	3664
95 XF FT 95 XF 430	01.1997 - 09.2002	315	428	12580	4091	4091
95 XF FT 95 XF 430	01.1997 - 09.2002	315	428	12580	3664	3664
95 XF FT 95 XF 480	01.1997 - 09.2002	355	483	12580	4091	4091
95 XF FT 95 XF 480	01.1997 - 09.2002	355	483	12580	3664	3664
95 XF FT 95 XF 530	01.1997 - 09.2002	390	530	14000	4091	4091
95 XF FT 95 XF 530	01.1997 - 09.2002	390	530	14000	3664	3664
95 XF FT 95 XF 530	02.2001 - 09.2002	390	530	12580	4091	4091
95 XF FT 95 XF 530	02.2001 - 09.2002	390	530	12580	3664	3664
95 XF FTG 95 XF 380	01.1997 - 09.2002	280	381	12580	4091	4091
95 XF FTG 95 XF 380	01.1997 - 09.2002	280	381	12580	3664	3664
95 XF FTG 95 XF 430	01.1997 - 09.2002	315	428	12580	4091	4091
95 XF FTG 95 XF 430	01.1997 - 09.2002	315	428	12580	3664	3664
95 XF FTG 95 XF 480	01.1997 - 09.2002	355	483	12580	4091	4091
95 XF FTG 95 XF 480	01.1997 - 09.2002	355	483	12580	3664	3664
95 XF FTG 95 XF 530	01.1997 - 09.2002	390	530	12580	4091	4091
95 XF FTG 95 XF 530	01.1997 - 09.2002	390	530	12580	3664	3664
95 XF FTG 95 XF 530	01.1997 - 12.2001	390	530	14000	3664	3664
95 XF FTP 95 XF 430	01.1997 - 09.2002	315	428	12580	4091	4091
95 XF FTP 95 XF 430	01.1997 - 09.2002	315	428	12580	3664	3664
95 XF FTR 95 XF 380	01.1997 - 09.2002	280	381	12580	4091	4091
95 XF FTR 95 XF 380	01.1997 - 09.2002	280	381	12580	3664	3664
95 XF FTR 95 XF 430	01.1997 - 09.2002	315	428	12580	4091	4091
95 XF FTR 95 XF 430	01.1997 - 09.2002	315	428	12580	3664	3664
95 XF FTR 95 XF 480	01.1997 - 09.2002	355	483	12580	4091	4091
95 XF FTR 95 XF 480	01.1997 - 09.2002	355	483	12580	3664	3664
95 XF FTR 95 XF 530	01.1997 - 09.2002	390	530	12580	4091	4091
95 XF FTR 95 XF 530	01.1997 - 09.2002	390	530	12580	3664	3664
95 XF FTR 95 XF 530	01.1997 - 09.2002	390	530	14000	3664	3664
95 XF FTS 95 XF 380	01.1997 - 09.2002	280	381	12580	4091	4091
95 XF FTS 95 XF 380	01.1997 - 09.2002	280	381	12580	3664	3664
95 XF FTS 95 XF 430	01.1997 - 09.2002	315	428	12580	4091	4091
95 XF FTS 95 XF 430	01.1997 - 09.2002	315	428	12580	3664	3664
95 XF FTS 95 XF 480	01.1997 - 09.2002	355	483	12580	4091	4091
95 XF FTS 95 XF 480	01.1997 - 09.2002	355	483	12580	3664	3664
95 XF FTS 95 XF 530	01.1997 - 09.2002	390	530	12580	4091	4091
95 XF FTS 95 XF 530	01.1997 - 09.2002	390	530	12580	3664	3664
95 XF FTS 95 XF 530	01.1997 - 09.2002	390	530	14000	3664	3664
95 XF FTT 95 XF 380	01.1997 - 09.2002	280	381	12580	4091	4091
95 XF FTT 95 XF 380	01.1997 - 09.2002	280	381	12580	3664	3664
95 XF FTT 95 XF 430	01.1997 - 09.2002	315	428	12580	4091	4091
95 XF FTT 95 XF 430	01.1997 - 09.2002	315	428	12580	3664	3664
95 XF FTT 95 XF 480	01.1997 - 09.2002	355	483	12580	4091	4091
95 XF FTT 95 XF 480	01.1997 - 09.2002	355	483	12580	3664	3664
95 XF FTT 95 XF 530	01.1997 - 09.2002	390	530	12580	4091	4091
95 XF FTT 95 XF 530	01.1997 - 09.2002	390	530	12580	3664	3664
95 XF FTT 95 XF 530	01.1997 - 09.2002	390	530	14000	4091	4091
95 XF FTT 95 XF 530	01.1997 - 09.2002	390	530	14000	3664	3664
CF 65 FA 65.180	01.2001 - 05.2013	136	185	5880	4091	4091
CF 65 FA 65.180	01.2001 - 05.2013	136	185	5880	3664	3664
CF 65 FA 65.220	01.2001 - 05.2013	162	220	5880	4091	4091
CF 65 FA 65.220	01.2001 - 05.2013	162	220	5880	3664	3664
CF 65 FA 65.220	05.2006 - 05.2013	165	224	6691	4091	4091
CF 65 FA 65.220	05.2006 - 05.2013	165	224	6691	3664	3664
CF 65 FA 65.250	01.2001 - 05.2013	184	250	5880	4091	4091
CF 65 FA 65.250	01.2001 - 05.2013	184	250	5880	3664	3664
CF 65 FA 65.250	05.2006 - 05.2013	184	250	6691	4091	4091
CF 65 FA 65.250	05.2006 - 05.2013	184	250	6691	3664	3664
CF 65 FA 65.280	05.2006 - 05.2013	210	286	6691	4091	4091
CF 65 FA 65.280	05.2006 - 05.2013	210	286	6691	3664	3664
CF 65 FA 65.300	01.2009 - 05.2013	220	300	6691	4091	4091
CF 75 FA 75.250	01.2001 - 05.2013	183	249	9200	4091	4091



**MAKE & MODEL****YEAR****KW****PS****CC****DAF**

CF 75 FA 75.250	01.2001 - 05.2013	183	249	9200	3664	3664
CF 75 FA 75.250	10.2006 - 05.2013	183	249	9200	4091	4091
CF 75 FA 75.310	01.2001 - 05.2013	228	310	9200	4091	4091
CF 75 FA 75.310	01.2001 - 05.2013	228	310	9200	3664	3664
CF 75 FA 75.310	10.2006 - 05.2013	228	310	9200	4091	4091
CF 75 FA 75.360	01.2001 - 05.2013	265	360	9200	4091	4091
CF 75 FA 75.360	01.2001 - 05.2013	265	360	9200	3664	3664
CF 75 FA 75.360	10.2006 - 05.2013	265	360	9200	4091	4091
CF 75 FAD 75.250	01.2001 - 05.2013	183	249	9200	4091	4091
CF 75 FAD 75.250	01.2001 - 05.2013	183	249	9200	3664	3664
CF 75 FAD 75.310	01.2001 - 05.2013	228	310	9200	4091	4091
CF 75 FAD 75.310	01.2001 - 05.2013	228	310	9200	3664	3664
CF 75 FAD 75.360	01.2001 - 05.2013	265	360	9200	4091	4091
CF 75 FAD 75.360	01.2001 - 05.2013	265	360	9200	3664	3664
CF 75 FAG 75.250, FAN 75.250	01.2001 - 05.2013	183	249	9200	4091	4091
CF 75 FAG 75.250, FAN 75.250	01.2001 - 05.2013	183	249	9200	3664	3664
CF 75 FAG 75.310, FAN 75.310	01.2001 - 05.2013	228	310	9200	4091	4091
CF 75 FAG 75.310, FAN 75.310	01.2001 - 05.2013	228	310	9200	3664	3664
CF 75 FAG 75.360, FAN 75.360	01.2001 - 05.2013	265	360	9200	4091	4091
CF 75 FAG 75.360, FAN 75.360	01.2001 - 05.2013	265	360	9200	3664	3664
CF 75 FAR 75.250, FAS 75.250	01.2001 - 05.2013	183	249	9200	4091	4091
CF 75 FAR 75.250, FAS 75.250	01.2001 - 05.2013	183	249	9200	3664	3664
CF 75 FAR 75.250, FAS 75.250	10.2006 - 05.2013	183	249	9200	4091	4091
CF 75 FAR 75.310, FAS 75.310	01.2001 - 05.2013	228	310	9200	4091	4091
CF 75 FAR 75.310, FAS 75.310	01.2001 - 05.2013	228	310	9200	3664	3664
CF 75 FAR 75.360, FAS 75.360	01.2001 - 05.2013	265	360	9200	4091	4091
CF 75 FAR 75.360, FAS 75.360	01.2001 - 05.2013	265	360	9200	3664	3664
CF 75 FAR 75.360, FAS 75.360	10.2006 - 05.2013	265	360	9200	4091	4091
CF 75 FAT 75.250	01.2001 - 05.2013	183	249	9200	4091	4091
CF 75 FAT 75.250	01.2001 - 05.2013	183	249	9200	3664	3664
CF 75 FAT 75.250	10.2006 - 05.2013	183	249	9200	4091	4091
CF 75 FAT 75.310	01.2001 - 05.2013	228	310	9200	4091	4091
CF 75 FAT 75.310	01.2001 - 05.2013	228	310	9200	3664	3664
CF 75 FAT 75.310	10.2006 - 05.2013	228	310	9200	4091	4091
CF 75 FAT 75.360	01.2001 - 05.2013	265	360	9200	4091	4091
CF 75 FAT 75.360	01.2001 - 05.2013	265	360	9200	3664	3664
CF 75 FAT 75.360	10.2006 - 05.2013	265	360	9200	4091	4091
CF 75 FT 75.250	01.2001 - 05.2013	183	249	9200	4091	4091
CF 75 FT 75.250	01.2001 - 05.2013	183	249	9200	3664	3664
CF 75 FT 75.250	10.2006 - 05.2013	183	249	9200	4091	4091
CF 75 FT 75.310	01.2001 - 05.2013	228	310	9200	4091	4091
CF 75 FT 75.310	01.2001 - 05.2013	228	310	9200	3664	3664
CF 75 FT 75.310	10.2006 - 05.2013	228	310	9200	4091	4091
CF 75 FT 75.360	01.2001 - 05.2013	265	360	9200	4091	4091
CF 75 FT 75.360	01.2001 - 05.2013	265	360	9200	3664	3664
CF 75 FT 75.360	10.2006 - 05.2013	265	360	9200	4091	4091
CF 85 FA 85.340	01.2001 - 05.2013	250	340	12580	4091	4091
CF 85 FA 85.340	01.2001 - 05.2013	250	340	12580	3664	3664
CF 85 FA 85.360	10.2006 - 05.2013	265	360	12900	4091	4091
CF 85 FA 85.360	10.2006 - 05.2013	265	360	12900	3664	3664
CF 85 FA 85.380	01.2001 - 05.2013	280	381	12580	4091	4091
CF 85 FA 85.380	01.2001 - 05.2013	280	381	12580	3664	3664
CF 85 FA 85.410	10.2006 - 05.2013	300	408	12900	4091	4091
CF 85 FA 85.410	10.2006 - 05.2013	300	408	12900	3664	3664
CF 85 FA 85.430	01.2001 - 05.2013	315	428	12580	4091	4091
CF 85 FA 85.430	01.2001 - 05.2013	315	428	12580	3664	3664
CF 85 FA 85.460	10.2006 - 05.2013	340	462	12900	4091	4091
CF 85 FA 85.460	10.2006 - 05.2013	340	462	12900	3664	3664
CF 85 FA 85.480	01.2001 - 05.2013	355	483	12580	4091	4091
CF 85 FA 85.480	01.2001 - 05.2013	355	483	12580	3664	3664
CF 85 FA 85.510	10.2006 - 05.2013	375	510	12900	4091	4091
CF 85 FA 85.510	10.2006 - 05.2013	375	510	12900	3664	3664
CF 85 FAC 85.340	12.2005 - 05.2013	250	340	12580	4091	4091
CF 85 FAC 85.340	12.2005 - 05.2013	250	340	12580	3664	3664
CF 85 FAC 85.360	10.2006 - 05.2013	265	360	12900	4091	4091
CF 85 FAC 85.360	10.2006 - 05.2013	265	360	12900	3664	3664
CF 85 FAC 85.380	12.2005 - 05.2013	280	380	12580	4091	4091

**MAKE & MODEL****YEAR****KW****PS****CC****DAF**

CF 85 FAC 85.380	12.2005 - 05.2013	280	380	12580	3664	3664
CF 85 FAC 85.410	10.2005 - 05.2013	300	408	12900	4091	4091
CF 85 FAC 85.410	10.2005 - 05.2013	300	408	12900	3664	3664
CF 85 FAC 85.430	12.2005 - 05.2013	315	428	12580	4091	4091
CF 85 FAC 85.430	12.2005 - 05.2013	315	428	12580	3664	3664
CF 85 FAC 85.460	10.2005 - 05.2013	340	462	12900	4091	4091
CF 85 FAC 85.460	10.2005 - 05.2013	340	462	12900	3664	3664
CF 85 FAC 85.480	12.2005 - 05.2013	355	483	12580	4091	4091
CF 85 FAC 85.480	12.2005 - 05.2013	355	483	12580	3664	3664
CF 85 FAC 85.510	10.2005 - 05.2013	375	510	12900	4091	4091
CF 85 FAC 85.510	10.2005 - 05.2013	375	510	12900	3664	3664
CF 85 FAD 85.340	01.2001 - 05.2013	250	340	12580	4091	4091
CF 85 FAD 85.340	01.2001 - 05.2013	250	340	12580	3664	3664
CF 85 FAD 85.360	10.2006 - 05.2013	265	360	12900	4091	4091
CF 85 FAD 85.380	01.2001 - 05.2013	280	381	12580	4091	4091
CF 85 FAD 85.380	01.2001 - 05.2013	280	381	12580	3664	3664
CF 85 FAD 85.410	10.2006 - 05.2013	300	408	12900	4091	4091
CF 85 FAD 85.430	01.2001 - 05.2013	315	428	12580	4091	4091
CF 85 FAD 85.430	01.2001 - 05.2013	315	428	12580	3664	3664
CF 85 FAD 85.460	10.2006 - 05.2013	340	462	12900	4091	4091
CF 85 FAD 85.480	01.2001 - 05.2013	355	483	12580	4091	4091
CF 85 FAD 85.480	01.2001 - 05.2013	355	483	12580	3664	3664
CF 85 FAD 85.510	10.2006 - 05.2013	375	510	12900	4091	4091
CF 85 FAG 85.340, FAN 85.340	01.2001 - 05.2013	250	340	12580	4091	4091
CF 85 FAG 85.340, FAN 85.340	01.2001 - 05.2013	250	340	12580	3664	3664
CF 85 FAG 85.360, FAN 85.360	10.2006 - 05.2013	265	360	12900	4091	4091
CF 85 FAG 85.360, FAN 85.360	10.2006 - 05.2013	265	360	12900	3664	3664
CF 85 FAG 85.380, FAN 85.380	01.2001 - 05.2013	280	381	12580	4091	4091
CF 85 FAG 85.380, FAN 85.380	01.2001 - 05.2013	280	381	12580	3664	3664
CF 85 FAG 85.410, FAN 85.410	10.2005 - 05.2013	300	408	12900	4091	4091
CF 85 FAG 85.410, FAN 85.410	10.2005 - 05.2013	300	408	12900	3664	3664
CF 85 FAG 85.410, FAN 85.410	10.2006 - 05.2013	300	408	12900	4091	4091
CF 85 FAG 85.430, FAN 85.430	01.2001 - 05.2013	315	428	12580	4091	4091
CF 85 FAG 85.430, FAN 85.430	01.2001 - 05.2013	315	428	12580	3664	3664
CF 85 FAG 85.460, FAN 85.460	10.2005 - 05.2013	340	462	12900	4091	4091
CF 85 FAG 85.460, FAN 85.460	10.2005 - 05.2013	340	462	12900	3664	3664
CF 85 FAG 85.460, FAN 85.460	10.2006 - 05.2013	340	462	12900	4091	4091
CF 85 FAG 85.480, FAN 85.480	01.2001 - 05.2013	355	483	12580	4091	4091
CF 85 FAG 85.480, FAN 85.480	01.2001 - 05.2013	355	483	12580	3664	3664
CF 85 FAG 85.510, FAN 85.510	10.2005 - 05.2013	375	510	12900	4091	4091
CF 85 FAG 85.510, FAN 85.510	10.2005 - 05.2013	375	510	12900	3664	3664
CF 85 FAG 85.510, FAN 85.510	10.2006 - 05.2013	375	510	12900	4091	4091
CF 85 FAN 85.360	10.2006 - 05.2013	265	360	12900	4091	4091
CF 85 FAN 85.410	10.2006 - 05.2013	300	408	12900	4091	4091
CF 85 FAN 85.460	10.2006 - 05.2013	340	462	12900	4091	4091
CF 85 FAN 85.510	10.2006 - 05.2013	375	510	12900	4091	4091
CF 85 FAQ 85.360	10.2006 - 05.2013	265	360	12900	4091	4091
CF 85 FAQ 85.410	10.2006 - 05.2013	300	408	12900	4091	4091
CF 85 FAQ 85.460	10.2006 - 05.2013	340	462	12900	4091	4091
CF 85 FAQ 85.510	10.2006 - 05.2013	375	510	12900	4091	4091
CF 85 FAR 85.340, FAS 85.340	01.2001 - 05.2013	250	340	12580	4091	4091
CF 85 FAR 85.340, FAS 85.340	01.2001 - 05.2013	250	340	12580	3664	3664
CF 85 FAR 85.360	10.2006 - 05.2013	265	360	12900	4091	4091
CF 85 FAR 85.360, FAS 85.360	10.2006 - 05.2013	265	360	12900	4091	4091
CF 85 FAR 85.360, FAS 85.360	10.2006 - 05.2013	265	360	12900	3664	3664
CF 85 FAR 85.380, FAS 85.380	01.2001 - 05.2013	280	381	12580	4091	4091
CF 85 FAR 85.380, FAS 85.380	01.2001 - 05.2013	280	381	12580	3664	3664
CF 85 FAR 85.410	10.2005 - 05.2013	300	408	12900	4091	4091
CF 85 FAR 85.410, FAS 85.410	10.2005 - 05.2013	300	408	12900	4091	4091
CF 85 FAR 85.410, FAS 85.410	10.2005 - 05.2013	300	408	12900	3664	3664
CF 85 FAR 85.430, FAS 85.430	01.2001 - 05.2013	315	428	12580	4091	4091
CF 85 FAR 85.430, FAS 85.430	01.2001 - 05.2013	315	428	12580	3664	3664
CF 85 FAR 85.460	10.2005 - 05.2013	340	462	12900	4091	4091
CF 85 FAR 85.460, FAS 85.460	10.2005 - 05.2013	340	462	12900	4091	4091
CF 85 FAR 85.460, FAS 85.460	10.2005 - 05.2013	340	462	12900	3664	3664
CF 85 FAR 85.480, FAS 85.480	01.2001 - 05.2013	355	483	12580	4091	4091
CF 85 FAR 85.480, FAS 85.480	01.2001 - 05.2013	355	483	12580	3664	3664

**MAKE & MODEL****YEAR****KW****PS****CC****DAF**

CF 85 FAR 85.510	10.2005 - 05.2013	375	510	12900	4091	4091
CF 85 FAR 85.510, FAS 85.510	10.2005 - 05.2013	375	510	12900	4091	4091
CF 85 FAR 85.510, FAS 85.510	10.2005 - 05.2013	375	510	12900	3664	3664
CF 85 FAT 85.340	01.2001 - 05.2013	250	340	12580	4091	4091
CF 85 FAT 85.340	01.2001 - 05.2013	250	340	12580	3664	3664
CF 85 FAT 85.360	10.2006 - 05.2013	265	360	12900	4091	4091
CF 85 FAT 85.360	10.2006 - 05.2013	265	360	12900	3664	3664
CF 85 FAT 85.380	01.2001 - 05.2013	280	381	12580	4091	4091
CF 85 FAT 85.380	01.2001 - 05.2013	280	381	12580	3664	3664
CF 85 FAT 85.410	10.2005 - 05.2013	300	408	12900	4091	4091
CF 85 FAT 85.410	10.2005 - 05.2013	300	408	12900	3664	3664
CF 85 FAT 85.430	01.2001 - 05.2013	315	428	12580	4091	4091
CF 85 FAT 85.430	01.2001 - 05.2013	315	428	12580	3664	3664
CF 85 FAT 85.460	10.2005 - 05.2013	340	462	12900	4091	4091
CF 85 FAT 85.460	10.2005 - 05.2013	340	462	12900	3664	3664
CF 85 FAT 85.480	01.2001 - 05.2013	355	483	12580	4091	4091
CF 85 FAT 85.480	01.2001 - 05.2013	355	483	12580	3664	3664
CF 85 FAT 85.510	10.2005 - 05.2013	375	510	12900	4091	4091
CF 85 FAT 85.510	10.2005 - 05.2013	375	510	12900	3664	3664
CF 85 FAX 85.340	01.2001 - 05.2013	250	340	12580	4091	4091
CF 85 FAX 85.340	01.2001 - 05.2013	250	340	12580	3664	3664
CF 85 FAX 85.360	10.2006 - 05.2013	265	360	12900	4091	4091
CF 85 FAX 85.380	01.2001 - 05.2013	279	380	12580	4091	4091
CF 85 FAX 85.380	01.2001 - 05.2013	279	380	12580	3664	3664
CF 85 FAX 85.410	10.2005 - 05.2013	300	408	12900	4091	4091
CF 85 FAX 85.430	01.2001 - 05.2013	315	430	12580	4091	4091
CF 85 FAX 85.430	01.2001 - 05.2013	315	430	12580	3664	3664
CF 85 FAX 85.460	10.2005 - 05.2013	340	462	12900	4091	4091
CF 85 FAX 85.480	01.2001 - 05.2013	351	477	12580	4091	4091
CF 85 FAX 85.480	01.2001 - 05.2013	351	477	12580	3664	3664
CF 85 FAX 85.510	10.2005 - 05.2013	375	510	12900	4091	4091
CF 85 FT 85.340	01.2001 - 05.2013	250	340	12580	4091	4091
CF 85 FT 85.340	01.2001 - 05.2013	250	340	12580	3664	3664
CF 85 FT 85.360	10.2006 - 05.2013	265	360	12900	4091	4091
CF 85 FT 85.380	01.2001 - 05.2013	280	381	12580	4091	4091
CF 85 FT 85.380	01.2001 - 05.2013	280	381	12580	3664	3664
CF 85 FT 85.410	10.2005 - 05.2013	300	408	12900	4091	4091
CF 85 FT 85.410	10.2005 - 05.2013	300	408	12900	3664	3664
CF 85 FT 85.430	01.2001 - 05.2013	315	428	12580	4091	4091
CF 85 FT 85.430	01.2001 - 05.2013	315	428	12580	3664	3664
CF 85 FT 85.460	10.2005 - 05.2013	340	462	12900	4091	4091
CF 85 FT 85.460	10.2005 - 05.2013	340	462	12900	3664	3664
CF 85 FT 85.480	01.2001 - 05.2013	355	483	12580	4091	4091
CF 85 FT 85.480	01.2001 - 05.2013	355	483	12580	3664	3664
CF 85 FT 85.510	10.2005 - 05.2013	375	510	12900	4091	4091
CF 85 FT 85.510	10.2005 - 05.2013	375	510	12900	3664	3664
CF 85 FTG 85.340	01.2001 - 05.2013	250	340	12580	4091	4091
CF 85 FTG 85.340	01.2001 - 05.2013	250	340	12580	3664	3664
CF 85 FTG 85.360	10.2006 - 05.2013	265	360	12900	4091	4091
CF 85 FTG 85.360	10.2006 - 05.2013	265	360	12900	3664	3664
CF 85 FTG 85.380	01.2001 - 05.2013	280	381	12580	4091	4091
CF 85 FTG 85.380	01.2001 - 05.2013	280	381	12580	3664	3664
CF 85 FTG 85.410	10.2005 - 05.2013	300	408	12900	4091	4091
CF 85 FTG 85.410	10.2005 - 05.2013	300	408	12900	3664	3664
CF 85 FTG 85.430	01.2001 - 05.2013	315	428	12580	4091	4091
CF 85 FTG 85.430	01.2001 - 05.2013	315	428	12580	3664	3664
CF 85 FTG 85.460	10.2005 - 05.2013	340	462	12900	4091	4091
CF 85 FTG 85.460	10.2005 - 05.2013	340	462	12900	3664	3664
CF 85 FTG 85.480	01.2001 - 05.2013	355	483	12580	4091	4091
CF 85 FTG 85.480	01.2001 - 05.2013	355	483	12580	3664	3664
CF 85 FTG 85.510	10.2005 - 05.2013	375	510	12900	4091	4091
CF 85 FTG 85.510	10.2005 - 05.2013	375	510	12900	3664	3664
CF 85 FTP 85.340	01.2001 - 05.2013	250	340	12580	4091	4091
CF 85 FTP 85.340	01.2001 - 05.2013	250	340	12580	3664	3664
CF 85 FTP 85.380	01.2001 - 05.2013	280	380	12580	4091	4091
CF 85 FTP 85.380	01.2001 - 05.2013	280	380	12580	3664	3664
CF 85 FTP 85.430	01.2001 - 05.2013	315	430	12580	4091	4091

**MAKE & MODEL****YEAR****KW****PS****CC****DAF**

CF 85 FTP 85.430	01.2001 - 05.2013	315	430	12580	3664	3664
CF 85 FTP 85.480	01.2001 - 05.2013	355	480	12580	4091	4091
CF 85 FTP 85.480	01.2001 - 05.2013	355	480	12580	3664	3664
CF 85 FTR 85.360, FTS 85.360, FTP 85.360	10.2006 - 05.2013	265	360	12900	4091	4091
CF 85 FTR 85.360, FTS 85.360, FTP 85.360	10.2006 - 05.2013	265	360	12900	3664	3664
CF 85 FTR 85.410, FTS 85.410, FTP 85.410	10.2005 - 05.2013	300	408	12900	4091	4091
CF 85 FTR 85.410, FTS 85.410, FTP 85.410	10.2005 - 05.2013	300	408	12900	3664	3664
CF 85 FTR 85.460, FTS 85.460, FTP 85.460	10.2005 - 05.2013	340	462	12900	4091	4091
CF 85 FTR 85.460, FTS 85.460, FTP 85.460	10.2005 - 05.2013	340	462	12900	3664	3664
CF 85 FTR 85.510, FTS 85.510, FTP 85.510	10.2005 - 05.2013	375	510	12900	4091	4091
CF 85 FTR 85.510, FTS 85.510, FTP 85.510	10.2005 - 05.2013	375	510	12900	3664	3664
CF 85 FTS 85.340	01.2001 - 05.2013	250	340	12580	4091	4091
CF 85 FTS 85.340	01.2001 - 05.2013	250	340	12580	3664	3664
CF 85 FTS 85.380	01.2001 - 05.2013	280	381	12580	4091	4091
CF 85 FTS 85.380	01.2001 - 05.2013	280	381	12580	3664	3664
CF 85 FTS 85.430	01.2001 - 05.2013	315	428	12580	4091	4091
CF 85 FTS 85.430	01.2001 - 05.2013	315	428	12580	3664	3664
CF 85 FTS 85.480	01.2001 - 05.2013	355	480	12580	4091	4091
CF 85 FTS 85.480	01.2001 - 05.2013	355	480	12580	3664	3664
CF 85 FTT 85.340	01.2001 - 05.2013	250	340	12580	4091	4091
CF 85 FTT 85.340	01.2001 - 05.2013	250	340	12580	3664	3664
CF 85 FTT 85.360	10.2006 - 05.2013	265	360	12900	4091	4091
CF 85 FTT 85.360	10.2006 - 05.2013	265	360	12900	3664	3664
CF 85 FTT 85.380	01.2001 - 05.2013	280	381	12580	4091	4091
CF 85 FTT 85.380	01.2001 - 05.2013	280	381	12580	3664	3664
CF 85 FTT 85.410	10.2005 - 05.2013	300	408	12900	4091	4091
CF 85 FTT 85.430	01.2001 - 05.2013	315	430	12580	4091	4091
CF 85 FTT 85.430	01.2001 - 05.2013	315	430	12580	3664	3664
CF 85 FTT 85.460	10.2005 - 05.2013	340	462	12900	4091	4091
CF 85 FTT 85.460	10.2005 - 05.2013	340	462	12900	3664	3664
CF 85 FTT 85.480	01.2001 - 05.2013	355	483	12580	4091	4091
CF 85 FTT 85.480	01.2001 - 05.2013	355	483	12580	3664	3664
CF 85 FTT 85.510	10.2005 - 05.2013	375	510	12900	4091	4091
CF 85 FTT 85.510	10.2005 - 05.2013	375	510	12900	3664	3664
CF FA 220	07.2014 -	164	223	6690	3844	3844
CF FA 230	08.2017 -	172	234	6691	4091	4091
CF FA 250	07.2014 -	186	253	6690	3844	3844
CF FA 260	08.2017 -	194	264	6691	4091	4091
CF FA 280	07.2014 -	208	283	6690	3844	3844
CF FA 290	05.2013 -	210	286	10840	4091	4091
CF FA 290	08.2017 -	217	295	6691	4091	4091
CF FA 300	05.2017 -	220	299	10837	4091	4091
CF FA 310	07.2014 -	231	314	6690	3844	3844
CF FA 320	08.2017 -	239	325	6691	4091	4091
CF FA 330	05.2013 -	240	326	10840	4091	4091
CF FA 340	05.2017 -	251	341	10837	4091	4091
CF FA 370	05.2013 -	271	370	10840	4091	4091
CF FA 370	05.2017 -	270	367	10837	4091	4091
CF FA 400	05.2013 -	291	396	10840	4091	4091
CF FA 410	05.2013 -	303	412	12900	4091	4091
CF FA 410	10.2017 -	300	408	10837	4091	4091
CF FA 430	10.2017 -	315	428	12903	4091	4091
CF FA 440	05.2013 -	320	435	10840	4091	4091
CF FA 450	05.2017 -	330	449	10837	4091	4091
CF FA 460	05.2013 -	340	462	12900	4091	4091
CF FA 480	05.2017 -	355	483	12903	4091	4091
CF FA 510	05.2013 -	375	510	12900	4091	4091
CF FA 530	05.2017 -	390	530	12903	4091	4091
CF FAC 370	05.2017 -	270	367	10837	4091	4091
CF FAC 400	12.2015 -	291	396	10840	4091	4091
CF FAC 410	10.2017 -	300	408	10837	4091	4091
CF FAC 410	12.2015 -	303	412	12900	4091	4091
CF FAC 430	05.2017 -	315	428	12903	4091	4091
CF FAC 440	12.2015 -	320	435	10840	4091	4091
CF FAC 450	05.2017 -	330	449	10837	4091	4091
CF FAC 460	12.2015 -	340	462	12900	4091	4091
CF FAC 480	05.2017 -	355	483	12903	4091	4091

**MAKE & MODEL****YEAR****KW****PS****CC****DAF**

CF FAC 510	12.2015 -	375	510	12900	4091	4091
CF FAC 530	05.2017 -	390	530	12903	4091	4091
CF FAD 290	05.2013 -	210	286	10840	4091	4091
CF FAD 330	05.2013 -	240	326	10840	4091	4091
CF FAD 370	05.2013 -	271	370	10840	4091	4091
CF FAD 370	05.2017 -	270	367	10837	4091	4091
CF FAD 400	05.2013 -	291	396	10840	4091	4091
CF FAD 410	05.2013 -	303	412	12900	4091	4091
CF FAD 410	10.2017 -	300	408	10837	4091	4091
CF FAD 430	05.2017 -	315	428	12903	4091	4091
CF FAD 440	05.2013 -	320	435	10840	4091	4091
CF FAD 450	05.2017 -	330	449	10837	4091	4091
CF FAD 460	05.2013 -	340	462	12900	4091	4091
CF FAD 480	05.2017 -	355	483	12903	4091	4091
CF FAD 510	05.2013 -	375	510	12900	4091	4091
CF FAD 530	05.2017 -	390	530	12903	4091	4091
CF FAG 300	05.2017 -	220	299	10837	4091	4091
CF FAG 340	05.2017 -	251	341	10837	4091	4091
CF FAG 370	05.2017 -	270	367	10837	4091	4091
CF FAG 410	05.2017 -	300	408	10837	4091	4091
CF FAG 450	05.2017 -	330	449	10837	4091	4091
CF FAK 370	05.2017 -	270	367	10837	4091	4091
CF FAK 410	10.2017 -	300	408	10837	4091	4091
CF FAK 430	05.2017 -	315	428	12903	4091	4091
CF FAK 450	05.2017 -	330	449	10837	4091	4091
CF FAK 480	05.2017 -	355	483	12903	4091	4091
CF FAK 530	05.2017 -	390	530	12903	4091	4091
CF FAN 280	11.2015 -	208	283	6690	4091	4091
CF FAN 290	08.2017 -	217	295	6691	4091	4091
CF FAN 290, FAG 290	05.2013 -	210	286	10840	4091	4091
CF FAN 300	05.2017 -	220	299	10837	4091	4091
CF FAN 310	11.2015 -	231	314	6690	4091	4091
CF FAN 320	08.2017 -	239	325	6691	4091	4091
CF FAN 330, FAG 330	05.2013 -	240	326	10840	4091	4091
CF FAN 340	05.2017 -	251	341	10837	4091	4091
CF FAN 370	05.2017 -	270	367	10837	4091	4091
CF FAN 370, FAG 370	05.2013 -	271	370	10840	4091	4091
CF FAN 400, FAG 400	05.2013 -	291	396	10840	4091	4091
CF FAN 410	05.2017 -	300	408	10837	4091	4091
CF FAN 410, FAG 410	05.2013 -	303	412	12900	4091	4091
CF FAN 430	05.2017 -	315	428	12903	4091	4091
CF FAN 440, FAG 440	05.2013 -	320	435	10840	4091	4091
CF FAN 450	05.2017 -	330	449	10837	4091	4091
CF FAN 460, FAG 460	05.2013 -	340	462	12900	4091	4091
CF FAN 480	05.2017 -	355	483	12903	4091	4091
CF FAN 510, FAG 510	05.2013 -	375	510	12900	4091	4091
CF FAN 530	05.2017 -	390	530	12903	4091	4091
CF FAQ 370	05.2017 -	270	367	10837	4091	4091
CF FAQ 400, FAX 400	12.2015 -	291	396	10840	4091	4091
CF FAQ 410	10.2017 -	300	408	10837	4091	4091
CF FAQ 410, FAX 410	12.2015 -	303	412	12900	4091	4091
CF FAQ 430	05.2017 -	315	428	12903	4091	4091
CF FAQ 440, FAX 440	12.2015 -	320	435	10840	4091	4091
CF FAQ 450	05.2017 -	330	449	10837	4091	4091
CF FAQ 460, FAX 460	12.2015 -	340	462	12900	4091	4091
CF FAQ 480	05.2017 -	355	483	12903	4091	4091
CF FAQ 510, FAX 510	12.2015 -	375	510	12900	4091	4091
CF FAQ 530	05.2017 -	390	530	12903	4091	4091
CF FAR 280	11.2015 -	208	283	6690	4091	4091
CF FAR 290	08.2017 -	217	295	6691	4091	4091
CF FAR 290, FAS 290	05.2013 -	210	286	10840	4091	4091
CF FAR 300	05.2017 -	220	299	10837	4091	4091
CF FAR 310	11.2015 -	231	314	6690	4091	4091
CF FAR 320	08.2017 -	239	325	6691	4091	4091
CF FAR 330, FAS 330	05.2013 -	240	326	10840	4091	4091
CF FAR 340	05.2017 -	251	341	10837	4091	4091
CF FAR 370	05.2017 -	270	367	10837	4091	4091

**MAKE & MODEL****YEAR****KW****PS****CC****DAF**

CF FAR 370, FAS 370	05.2013 -	271	370	10840	4091	4091
CF FAR 400, FAS 400	05.2013 -	291	396	10840	4091	4091
CF FAR 410	05.2017 -	300	408	10837	4091	4091
CF FAR 410, FAS 410	05.2013 -	303	412	12900	4091	4091
CF FAR 430	05.2017 -	315	428	12903	4091	4091
CF FAR 440, FAS 440	05.2013 -	320	435	10840	4091	4091
CF FAR 450	05.2017 -	330	449	10837	4091	4091
CF FAR 460, FAS 460	05.2013 -	340	462	12900	4091	4091
CF FAR 480	05.2017 -	355	483	12903	4091	4091
CF FAR 510, FAS 510	05.2013 -	375	510	12900	4091	4091
CF FAR 530	05.2017 -	390	530	12903	4091	4091
CF FAS 290	08.2017 -	217	295	6691	4091	4091
CF FAS 300	05.2017 -	220	299	10837	4091	4091
CF FAS 320	08.2017 -	239	325	6691	4091	4091
CF FAS 340	05.2017 -	251	341	10837	4091	4091
CF FAS 370	05.2017 -	270	367	10837	4091	4091
CF FAS 410	10.2017 -	300	408	10837	4091	4091
CF FAS 430	05.2017 -	315	428	12903	4091	4091
CF FAS 450	05.2017 -	330	449	10837	4091	4091
CF FAS 480	05.2017 -	355	483	12903	4091	4091
CF FAS 530	05.2017 -	390	530	12903	4091	4091
CF FAT 290	05.2013 -	210	286	10840	4091	4091
CF FAT 300	05.2017 -	220	299	10837	4091	4091
CF FAT 330	05.2013 -	240	326	10840	4091	4091
CF FAT 340	05.2017 -	251	341	10837	4091	4091
CF FAT 370	05.2013 -	271	370	10840	4091	4091
CF FAT 370	05.2017 -	270	367	10837	4091	4091
CF FAT 400	05.2013 -	291	396	10840	4091	4091
CF FAT 410	05.2013 -	303	412	12900	4091	4091
CF FAT 410	05.2017 -	300	408	10837	4091	4091
CF FAT 430	05.2017 -	315	428	12903	4091	4091
CF FAT 440	05.2013 -	320	435	10840	4091	4091
CF FAT 450	05.2017 -	330	449	10837	4091	4091
CF FAT 460	05.2013 -	340	462	12900	4091	4091
CF FAT 480	05.2017 -	355	483	12903	4091	4091
CF FAT 510	05.2013 -	375	510	12900	4091	4091
CF FAT 530	05.2017 -	390	530	12903	3844	3844
CF FAT 530	05.2017 -	390	530	12903	4091	4091
CF FAX 370	05.2017 -	270	367	10837	4091	4091
CF FAX 410	10.2017 -	300	408	10837	4091	4091
CF FAX 430	05.2017 -	315	428	12903	4091	4091
CF FAX 450	05.2017 -	330	449	10837	4091	4091
CF FAX 480	05.2017 -	355	483	12903	4091	4091
CF FAX 530	05.2017 -	390	530	12903	4091	4091
CF FT 290	05.2013 -	210	286	10840	4091	4091
CF FT 290	05.2013 -	210	286	10840	3664	3664
CF FT 300	05.2017 -	220	299	10837	4091	4091
CF FT 330	05.2013 -	240	326	10840	4091	4091
CF FT 330	05.2013 -	240	326	10840	3664	3664
CF FT 340	05.2017 -	251	341	10837	4091	4091
CF FT 370	05.2013 -	271	368	10837	4091	4091
CF FT 370	05.2013 -	271	368	10837	3664	3664
CF FT 370	05.2017 -	270	367	10837	4091	4091
CF FT 400	05.2013 -	291	396	10840	4091	4091
CF FT 410	05.2013 -	303	412	12900	4091	4091
CF FT 410	10.2017 -	300	408	10837	4091	4091
CF FT 430	10.2017 -	315	428	12903	4091	4091
CF FT 440	05.2013 -	320	435	10840	4091	4091
CF FT 450	05.2017 -	330	449	10837	4091	4091
CF FT 460	05.2013 -	340	462	12900	4091	4091
CF FT 480	05.2017 -	355	483	12903	4091	4091
CF FT 510	05.2013 -	375	510	12900	4091	4091
CF FT 530	05.2017 -	390	530	12903	4091	4091
CF FTG 400	05.2013 -	291	396	10840	4091	4091
CF FTG 410	05.2013 -	303	412	12900	4091	4091
CF FTG 410	10.2017 -	300	408	10837	4091	4091
CF FTG 430	05.2017 -	315	428	12903	4091	4091



**MAKE & MODEL****YEAR****KW****PS****CC****DAF**

CF FTG 440	05.2013 -	320	435	10840	4091	4091
CF FTG 450	05.2017 -	330	449	10837	4091	4091
CF FTG 460	05.2013 -	340	462	12900	4091	4091
CF FTG 480	05.2017 -	355	483	12903	4091	4091
CF FTG 510	05.2013 -	375	510	12900	4091	4091
CF FTG 530	05.2017 -	390	530	12903	4091	4091
CF FTN 410	10.2017 -	300	408	10837	4091	4091
CF FTN 430	05.2017 -	315	428	12903	4091	4091
CF FTN 450	05.2017 -	330	449	10837	4091	4091
CF FTN 480	05.2017 -	355	483	12903	4091	4091
CF FTN 530	05.2017 -	390	530	12903	4091	4091
CF FTP 400	05.2013 -	291	396	10840	4091	4091
CF FTP 410	05.2013 -	303	412	12900	4091	4091
CF FTP 410	10.2017 -	300	408	10837	4091	4091
CF FTP 430	05.2017 -	315	428	12903	4091	4091
CF FTP 440	05.2013 -	320	435	10840	4091	4091
CF FTP 450	05.2017 -	330	449	10837	4091	4091
CF FTP 460	05.2013 -	340	462	12900	4091	4091
CF FTP 480	05.2017 -	355	483	12903	4091	4091
CF FTP 510	05.2013 -	375	510	12900	4091	4091
CF FTP 530	05.2017 -	390	530	12903	4091	4091
CF FTR 410	05.2013 -	303	412	12900	4091	4091
CF FTR 410	10.2017 -	300	408	10837	4091	4091
CF FTR 430	05.2017 -	315	428	12903	4091	4091
CF FTR 450	05.2017 -	330	449	10837	4091	4091
CF FTR 460	05.2013 -	340	462	12900	4091	4091
CF FTR 480	05.2017 -	355	483	12903	4091	4091
CF FTR 510	05.2013 -	375	510	12900	4091	4091
CF FTR 530	05.2017 -	390	530	12903	4091	4091
CF FTS 410	05.2013 -	303	412	12900	4091	4091
CF FTS 410	10.2017 -	300	408	10837	4091	4091
CF FTS 430	10.2017 -	315	428	12903	4091	4091
CF FTS 450	05.2017 -	330	449	10837	4091	4091
CF FTS 460	05.2013 -	340	462	12900	4091	4091
CF FTS 480	05.2017 -	355	483	12903	4091	4091
CF FTS 510	05.2013 -	375	510	12900	4091	4091
CF FTS 530	05.2017 -	390	530	12903	4091	4091
CF FTT 370	05.2017 -	270	367	10837	4091	4091
CF FTT 400	05.2013 -	291	396	10840	4091	4091
CF FTT 410	05.2013 -	303	412	12900	4091	4091
CF FTT 410	10.2017 -	300	408	10837	4091	4091
CF FTT 430	05.2017 -	315	428	12903	4091	4091
CF FTT 440	05.2013 -	320	435	10840	4091	4091
CF FTT 450	05.2017 -	330	449	10837	4091	4091
CF FTT 460	05.2013 -	340	462	12900	4091	4091
CF FTT 480	05.2017 -	355	483	12903	4091	4091
CF FTT 510	05.2013 -	375	510	12900	4091	4091
CF FTT 530	05.2017 -	390	530	12903	4091	4091
LF 45 FA 45.130	12.2005 -	99	135	3920	3565	
LF 45 FA 45.140	05.2006 -	103	140	4461	3565	
LF 45 FA 45.150	01.2001 -	110	150	3920	3565	
LF 45 FA 45.160	05.2006 -	118	160	4461	3565	
LF 45 FA 45.170	01.2001 -	123	167	3920	3565	
LF 45 FA 45.180	01.2001 -	136	185	5880	3565	
LF 45 FA 45.180	05.2006 -	136	185	4461	3565	
LF 45 FA 45.210	01.2009 -	152	207	4461	4091	
LF 45 FA 45.210	01.2009 -	152	207	4461	3789	3789
LF 45 FA 45.210	01.2009 -	152	207	4461	3789/2	3789/2
LF 45 FA 45.220	01.2001 -	162	220	5880	3565	
LF 45 FA 45.220	05.2006 -	165	224	6691	3565	
LF 55 FA 55.160	05.2006 -	118	160	4461	3844	3844
LF 55 FA 55.160	05.2006 -	118	160	4461	4091	4091
LF 55 FA 55.160	05.2006 -	118	160	4461	3664	3664
LF 55 FA 55.170	01.2001 -	123	167	3920	3844	3844
LF 55 FA 55.170	01.2001 -	123	167	3920	3664	3664
LF 55 FA 55.170	01.2001 -	123	167	3920	3870	3870
LF 55 FA 55.180	01.2001 -	136	185	5880	3844	3844

**MAKE & MODEL****YEAR****KW****PS****CC****DAF**

LF 55 FA 55.180	01.2001 -	136	185	5880	4091	4091
LF 55 FA 55.180	01.2001 -	136	185	5880	3664	3664
LF 55 FA 55.180	01.2001 -	136	185	5880	3870	3870
LF 55 FA 55.180	05.2006 -	136	185	4461	3844	3844
LF 55 FA 55.210	01.2009 -	152	207	4461	3789	3789
LF 55 FA 55.210	01.2009 -	152	207	4461	3844	3844
LF 55 FA 55.210	01.2009 -	152	207	4461	3789/1	3789/1
LF 55 FA 55.220	01.2001 -	162	220	5880	3844	3844
LF 55 FA 55.220	01.2001 -	162	220	5880	4091	4091
LF 55 FA 55.220	01.2001 -	162	220	5880	3664	3664
LF 55 FA 55.220	01.2001 -	162	220	5880	3870	3870
LF 55 FA 55.220	05.2006 -	165	224	6691	3844	3844
LF 55 FA 55.220	05.2006 -	165	224	6691	4091	4091
LF 55 FA 55.220	05.2006 -	165	224	6691	3664	3664
LF 55 FA 55.250	01.2001 -	184	250	5880	3844	3844
LF 55 FA 55.250	01.2001 -	184	250	5880	4091	4091
LF 55 FA 55.250	01.2001 -	184	250	5880	3664	3664
LF 55 FA 55.250	01.2001 -	184	250	5880	3870	3870
LF 55 FA 55.250	05.2006 -	184	250	6691	3844	3844
LF 55 FA 55.250	05.2006 -	184	250	6691	4091	4091
LF 55 FA 55.250	05.2006 -	184	250	6691	3664	3664
LF 55 FA 55.280	05.2006 -	210	286	6691	3844	3844
LF 55 FA 55.290	05.2006 -	210	286	6691	3844	3844
LF 55 FA 55.290	05.2006 -	210	286	6691	4091	4091
LF 55 FA 55.290	05.2006 -	210	286	6691	3664	3664
LF 55 FA 55.300	01.2009 -	220	300	6691	3789	3789
LF 55 FA 55.300	01.2009 -	220	300	6691	3789/1	3789/1
LF 55 FAN 55.180	05.2006 -	136	180	5880	4091	4091
LF 55 FAN 55.180	05.2006 -	136	180	5880	3664	3664
LF 55 FAN 55.220	05.2006 -	162	220	5880	4091	4091
LF 55 FAN 55.220	05.2006 -	162	220	5880	3664	3664
LF 55 FAN 55.220	05.2006 -	165	224	6691	4091	4091
LF 55 FAN 55.220	05.2006 -	165	224	6691	3664	3664
LF 55 FAN 55.250	05.2006 -	184	250	5880	4091	4091
LF 55 FAN 55.250	05.2006 -	184	250	5880	3664	3664
LF 55 FAN 55.250	05.2006 -	184	250	6691	4091	4091
LF 55 FAN 55.250	05.2006 -	184	250	6691	3664	3664
LF 55 FAN 55.290	05.2006 -	210	286	6691	4091	4091
LF 55 FAN 55.290	05.2006 -	210	286	6691	3664	3664
LF 55 FT 55.180	01.2001 -	136	185	5880	3844	3844
LF 55 FT 55.180	01.2001 -	136	185	5880	3870	3870
LF 55 FT 55.220	01.2001 -	162	220	5880	3844	3844
LF 55 FT 55.220	01.2001 -	162	220	5880	3870	3870
LF 55 FT 55.220	05.2006 -	165	224	6691	3844	3844
LF 55 FT 55.250	01.2001 -	184	250	5880	3844	3844
LF 55 FT 55.250	01.2001 -	184	250	5880	3870	3870
LF 55 FT 55.250	05.2006 -	184	250	6691	3844	3844
LF 55 FT 55.280	05.2006 -	210	286	6691	3844	3844
LF 55 FT 55.290	05.2006 -	210	286	6691	3844	3844
LF FA 150	05.2013 -	112	152	4460	3844	3844
LF FA 150	10.2017 -	115	156	3759	3844	3844
LF FA 170	10.2017 -	127	173	3759	3844	3844
LF FA 180	05.2013 -	135	184	4460	3844	3844
LF FA 180	10.2017 -	135	184	4460	3844	3844
LF FA 210	05.2013 -	157	213	4460	3844	3844
LF FA 210	05.2013 -	157	214	4460	3844	3844
LF FA 210	10.2017 -	157	213	4460	3844	3844
LF FA 220	05.2013 -	162	220	6690	3844	3844
LF FA 230	10.2017 -	172	234	6691	3844	3844
LF FA 250	05.2013 -	187	254	6690	3844	3844
LF FA 260	10.2017 -	194	264	6691	3844	3844
LF FA 280	05.2013 -	209	284	6690	3844	3844
LF FA 290	10.2017 -	217	295	6691	3844	3844
LF FA 310	05.2013 -	231	314	6690	3844	3844
LF FA 320	10.2017 -	239	325	6691	3844	3844
LF FA 320	10.2017 -	239	325	6691	4091	4091
LF FT 220	05.2013 -	162	220	6690	3844	3844



**MAKE & MODEL****YEAR****KW****PS****CC****DAF**

LF FT 230	10.2017 -	172	234	6691	3844	3844
LF FT 250	05.2013 -	187	254	6690	3844	3844
LF FT 260	10.2017 -	194	264	6691	3844	3844
LF FT 280	05.2013 -	209	284	6690	3844	3844
LF FT 290	10.2017 -	217	295	6691	3844	3844
LF FT 310	05.2013 -	231	314	6690	3844	3844
SB SB 120	01.1999 -	99	135	3922	3789	3789
SB SB 120	01.1999 -	99	135	3922	3789/1	3789/1
SB SB 120	01.1999 -	108	147	5883	3789	3789
SB SB 120	01.1999 -	108	147	5883	3789/1	3789/1
SB SB 120	01.1999 -	110	150	3922	3789	3789
SB SB 120	01.1999 -	110	150	3922	3789/1	3789/1
SB SB 120	01.1999 -	118	160	5883	3789	3789
SB SB 120	01.1999 -	118	160	5883	3789/1	3789/1
SB SB 3000	-	242	330	11600	4091	4091
SB SB 3000	-	268	364	11600	4091	4091
SB SB 3000	-	315	428	11600	4091	4091
XF 105 FA 105.410	10.2005 -	300	408	12900	4091	4091
XF 105 FA 105.410	10.2005 -	300	408	12900	3664	3664
XF 105 FA 105.460	10.2005 -	340	462	12900	4091	4091
XF 105 FA 105.460	10.2005 -	340	462	12900	3664	3664
XF 105 FA 105.510	10.2005 -	375	510	12900	4091	4091
XF 105 FA 105.510	10.2005 -	375	510	12900	3664	3664
XF 105 FAD 105.410	10.2005 -	300	408	12900	4091	4091
XF 105 FAD 105.410	10.2005 -	300	408	12900	3664	3664
XF 105 FAD 105.460	10.2005 -	340	462	12900	4091	4091
XF 105 FAD 105.460	10.2005 -	340	462	12900	3664	3664
XF 105 FAD 105.510	10.2005 -	375	510	12900	4091	4091
XF 105 FAD 105.510	10.2005 -	375	510	12900	3664	3664
XF 105 FAK 105.410	10.2005 -	300	408	12900	4091	4091
XF 105 FAK 105.410	10.2005 -	300	408	12900	3664	3664
XF 105 FAK 105.460	10.2005 -	340	462	12900	4091	4091
XF 105 FAK 105.460	10.2005 -	340	462	12900	3664	3664
XF 105 FAK 105.510	10.2005 -	375	510	12900	4091	4091
XF 105 FAK 105.510	10.2005 -	375	510	12900	3664	3664
XF 105 FAN 105.410	10.2005 -	300	408	12900	4091	4091
XF 105 FAN 105.460	10.2005 -	340	462	12900	4091	4091
XF 105 FAN 105.510	10.2005 -	375	510	12900	4091	4091
XF 105 FAR 105.410	10.2005 -	300	408	12900	4091	4091
XF 105 FAR 105.460	10.2005 -	340	462	12900	4091	4091
XF 105 FAR 105.510	10.2005 -	375	510	12900	4091	4091
XF 105 FAS 105.410, FAR 105.410	10.2005 -	300	408	12900	4091	4091
XF 105 FAS 105.410, FAR 105.410	10.2005 -	300	408	12900	3664	3664
XF 105 FAS 105.460, FAR 105.460	10.2005 -	340	462	12900	4091	4091
XF 105 FAS 105.460, FAR 105.460	10.2005 -	340	462	12900	3664	3664
XF 105 FAS 105.510, FAR 105.510	10.2005 -	375	510	12900	4091	4091
XF 105 FAS 105.510, FAR 105.510	10.2005 -	375	510	12900	3664	3664
XF 105 FAT 105.410	10.2005 -	300	408	12900	4091	4091
XF 105 FAT 105.410	10.2005 -	300	408	12900	3664	3664
XF 105 FAT 105.460	10.2005 -	340	462	12900	4091	4091
XF 105 FAT 105.460	10.2005 -	340	462	12900	3664	3664
XF 105 FAT 105.510	10.2005 -	375	510	12900	4091	4091
XF 105 FAT 105.510	10.2005 -	375	510	12900	3664	3664
XF 105 FT 105.410	10.2005 -	300	408	12900	4091	4091
XF 105 FT 105.410	10.2005 -	300	408	12900	3664	3664
XF 105 FT 105.460	10.2005 -	340	462	12900	4091	4091
XF 105 FT 105.460	10.2005 -	340	462	12900	3664	3664
XF 105 FT 105.510	10.2005 -	375	510	12900	4091	4091
XF 105 FT 105.510	10.2005 -	375	510	12900	3664	3664
XF 105 FTG 105.410	10.2005 -	300	408	12900	4091	4091
XF 105 FTG 105.410	10.2005 -	300	408	12900	3664	3664
XF 105 FTG 105.460	10.2005 -	340	462	12900	4091	4091
XF 105 FTG 105.460	10.2005 -	340	462	12900	3664	3664
XF 105 FTG 105.510	10.2005 -	375	510	12900	4091	4091
XF 105 FTG 105.510	10.2005 -	375	510	12900	3664	3664
XF 105 FTM 105.410	10.2005 -	300	408	12900	4091	4091
XF 105 FTM 105.410	10.2005 -	300	408	12900	3664	3664

**MAKE & MODEL****YEAR****KW****PS****CC****DAF**

XF 105 FTM 105.460	10.2005 -	340	460	12900	4091	4091
XF 105 FTM 105.460	10.2005 -	340	460	12900	3664	3664
XF 105 FTM 105.510	10.2005 -	375	510	12900	4091	4091
XF 105 FTM 105.510	10.2005 -	375	510	12900	3664	3664
XF 105 FTP 105.410	10.2005 -	300	408	12900	4091	4091
XF 105 FTP 105.460	10.2005 -	340	462	12900	4091	4091
XF 105 FTP 105.510	09.2013 -	375	510	12900	3828	3828
XF 105 FTS 105.410, FTR 105.410	10.2005 -	300	408	12900	4091	4091
XF 105 FTS 105.410, FTR 105.410	10.2005 -	300	408	12900	3664	3664
XF 105 FTS 105.460, FTR 105.460	10.2005 -	340	462	12900	4091	4091
XF 105 FTS 105.460, FTR 105.460	10.2005 -	340	462	12900	3664	3664
XF 105 FTS 105.510, FTR 105.510	10.2005 -	375	510	12900	4091	4091
XF 105 FTS 105.510, FTR 105.510	10.2005 -	375	510	12900	3664	3664
XF 105 FTT 105.410	10.2005 -	300	408	12900	4091	4091
XF 105 FTT 105.410	10.2005 -	300	408	12900	3664	3664
XF 105 FTT 105.460	10.2005 -	340	462	12900	4091	4091
XF 105 FTT 105.460	10.2005 -	340	462	12900	3664	3664
XF 105 FTT 105.510	10.2005 -	375	510	12900	4091	4091
XF 105 FTT 105.510	10.2005 -	375	510	12900	3664	3664
XF 95 FA 95.380	09.2002 - 12.2006	280	381	12580	4091	4091
XF 95 FA 95.380	09.2002 - 12.2006	280	381	12580	3664	3664
XF 95 FA 95.430	09.2002 - 12.2006	315	428	12580	4091	4091
XF 95 FA 95.430	09.2002 - 12.2006	315	428	12580	3664	3664
XF 95 FA 95.480	09.2002 - 12.2006	355	483	12580	4091	4091
XF 95 FA 95.480	09.2002 - 12.2006	355	483	12580	3664	3664
XF 95 FA 95.530	09.2002 - 12.2006	390	530	12580	4091	4091
XF 95 FA 95.530	09.2002 - 12.2006	390	530	12580	3664	3664
XF 95 FAD 95.380	01.2002 - 12.2006	280	381	12580	4091	4091
XF 95 FAD 95.380	01.2002 - 12.2006	280	381	12580	3664	3664
XF 95 FAD 95.430	01.2002 - 12.2006	315	428	12580	4091	4091
XF 95 FAD 95.430	01.2002 - 12.2006	315	428	12580	3664	3664
XF 95 FAD 95.480	01.2002 - 12.2006	355	483	12580	4091	4091
XF 95 FAD 95.480	01.2002 - 12.2006	355	483	12580	3664	3664
XF 95 FAD 95.530	09.2002 - 03.2006	390	530	12580	4091	4091
XF 95 FAD 95.530	09.2002 - 03.2006	390	530	12580	3664	3664
XF 95 FAK 95.380	01.2002 - 12.2006	280	381	12580	4091	4091
XF 95 FAK 95.380	01.2002 - 12.2006	280	381	12580	3664	3664
XF 95 FAK 95.430	01.2002 - 12.2006	315	430	12580	4091	4091
XF 95 FAK 95.430	01.2002 - 12.2006	315	430	12580	3664	3664
XF 95 FAK 95.480	01.2002 - 12.2006	355	480	12580	4091	4091
XF 95 FAK 95.480	01.2002 - 12.2006	355	480	12580	3664	3664
XF 95 FAK 95.530	09.2002 - 03.2006	390	530	12580	4091	4091
XF 95 FAK 95.530	09.2002 - 03.2006	390	530	12580	3664	3664
XF 95 FAN 95.380	01.2002 - 12.2006	280	381	12580	4091	4091
XF 95 FAN 95.380	01.2002 - 12.2006	280	381	12580	3664	3664
XF 95 FAN 95.430	01.2002 - 12.2006	315	430	12580	4091	4091
XF 95 FAN 95.430	01.2002 - 12.2006	315	430	12580	3664	3664
XF 95 FAN 95.480	01.2002 - 12.2006	355	480	12580	4091	4091
XF 95 FAN 95.480	01.2002 - 12.2006	355	480	12580	3664	3664
XF 95 FAN 95.530	09.2002 - 03.2006	390	530	12580	4091	4091
XF 95 FAN 95.530	09.2002 - 03.2006	390	530	12580	3664	3664
XF 95 FAR 95.380	09.2002 - 12.2006	280	381	12580	4091	4091
XF 95 FAR 95.380	09.2002 - 12.2006	280	381	12580	3664	3664
XF 95 FAR 95.430	09.2002 - 12.2006	315	428	12580	4091	4091
XF 95 FAR 95.430	09.2002 - 12.2006	315	428	12580	3664	3664
XF 95 FAR 95.480	09.2002 - 12.2006	355	483	12580	4091	4091
XF 95 FAR 95.480	09.2002 - 12.2006	355	483	12580	3664	3664
XF 95 FAR 95.530	09.2002 - 12.2006	390	530	12580	4091	4091
XF 95 FAR 95.530	09.2002 - 12.2006	390	530	12580	3664	3664
XF 95 FAS 95.380	01.2002 - 12.2006	280	381	12580	4091	4091
XF 95 FAS 95.380	01.2002 - 12.2006	280	381	12580	3664	3664
XF 95 FAS 95.430	01.2002 - 12.2006	315	430	12580	4091	4091
XF 95 FAS 95.430	01.2002 - 12.2006	315	430	12580	3664	3664
XF 95 FAS 95.480	01.2002 - 12.2006	355	480	12580	4091	4091
XF 95 FAS 95.480	01.2002 - 12.2006	355	480	12580	3664	3664
XF 95 FAS 95.530	09.2002 - 03.2006	390	530	12580	4091	4091
XF 95 FAS 95.530	09.2002 - 03.2006	390	530	12580	3664	3664

**MAKE & MODEL****YEAR****KW****PS****CC****DAF**

XF 95 FAT 95.380	01.2002 - 12.2006	280	381	12580	4091	4091
XF 95 FAT 95.380	01.2002 - 12.2006	280	381	12580	3664	3664
XF 95 FAT 95.430	01.2002 - 12.2006	315	428	12580	4091	4091
XF 95 FAT 95.430	01.2002 - 12.2006	315	428	12580	3664	3664
XF 95 FAT 95.480	01.2002 - 12.2006	355	480	12580	4091	4091
XF 95 FAT 95.480	01.2002 - 12.2006	355	480	12580	3664	3664
XF 95 FAT 95.530	09.2002 - 03.2006	390	530	12580	4091	4091
XF 95 FAT 95.530	09.2002 - 03.2006	390	530	12580	3664	3664
XF 95 FT 95.380	09.2002 - 12.2006	280	381	12580	4091	4091
XF 95 FT 95.380	09.2002 - 12.2006	280	381	12580	3664	3664
XF 95 FT 95.430	09.2002 - 12.2006	315	428	12580	4091	4091
XF 95 FT 95.430	09.2002 - 12.2006	315	428	12580	3664	3664
XF 95 FT 95.480	09.2002 - 12.2006	355	483	12580	4091	4091
XF 95 FT 95.480	09.2002 - 12.2006	355	483	12580	3664	3664
XF 95 FT 95.530	09.2002 - 12.2006	390	530	12580	4091	4091
XF 95 FT 95.530	09.2002 - 12.2006	390	530	12580	3664	3664
XF 95 FTG 95.380	09.2002 - 12.2006	280	381	12580	4091	4091
XF 95 FTG 95.380	09.2002 - 12.2006	280	381	12580	3664	3664
XF 95 FTG 95.430	12.2005 - 12.2006	315	428	12580	4091	4091
XF 95 FTG 95.430	12.2005 - 12.2006	315	428	12580	3664	3664
XF 95 FTG 95.480	12.2005 - 12.2006	355	483	12580	4091	4091
XF 95 FTG 95.480	12.2005 - 12.2006	355	483	12580	3664	3664
XF 95 FTG 95.530	09.2002 - 12.2006	390	530	12580	4091	4091
XF 95 FTG 95.530	09.2002 - 12.2006	390	530	12580	3664	3664
XF 95 FTM 95.380	12.2005 - 12.2006	280	381	12580	4091	4091
XF 95 FTM 95.380	12.2005 - 12.2006	280	381	12580	3664	3664
XF 95 FTM 95.430	12.2005 - 12.2006	315	430	12580	4091	4091
XF 95 FTM 95.430	12.2005 - 12.2006	315	430	12580	3664	3664
XF 95 FTM 95.480	12.2005 - 12.2006	355	483	12580	4091	4091
XF 95 FTM 95.480	12.2005 - 12.2006	355	483	12580	3664	3664
XF 95 FTM 95.530	09.2002 - 12.2006	390	530	12580	4091	4091
XF 95 FTM 95.530	09.2002 - 12.2006	390	530	12580	3664	3664
XF 95 FTP 95.380	01.2002 - 12.2006	280	381	12580	4091	4091
XF 95 FTP 95.380	01.2002 - 12.2006	280	381	12580	3664	3664
XF 95 FTP 95.430	01.2002 - 12.2006	315	430	12580	4091	4091
XF 95 FTP 95.430	01.2002 - 12.2006	315	430	12580	3664	3664
XF 95 FTP 95.480	01.2002 - 12.2006	355	480	12580	4091	4091
XF 95 FTP 95.480	01.2002 - 12.2006	355	480	12580	3664	3664
XF 95 FTP 95.530	09.2002 - 03.2006	390	530	12580	4091	4091
XF 95 FTP 95.530	09.2002 - 03.2006	390	530	12580	3664	3664
XF 95 FTR 95.380	01.2002 - 12.2006	280	381	12580	4091	4091
XF 95 FTR 95.380	01.2002 - 12.2006	280	381	12580	3664	3664
XF 95 FTR 95.430	01.2002 - 12.2006	315	430	12580	4091	4091
XF 95 FTR 95.430	01.2002 - 12.2006	315	430	12580	3664	3664
XF 95 FTR 95.480	01.2002 - 12.2006	355	480	12580	4091	4091
XF 95 FTR 95.480	01.2002 - 12.2006	355	480	12580	3664	3664
XF 95 FTR 95.530	09.2002 - 03.2006	390	530	12580	4091	4091
XF 95 FTR 95.530	09.2002 - 03.2006	390	530	12580	3664	3664
XF 95 FTS 95.380	01.2002 - 12.2006	280	381	12580	4091	4091
XF 95 FTS 95.380	01.2002 - 12.2006	280	381	12580	3664	3664
XF 95 FTS 95.430	01.2002 - 12.2006	315	430	12580	4091	4091
XF 95 FTS 95.430	01.2002 - 12.2006	315	430	12580	3664	3664
XF 95 FTS 95.480	01.2002 - 12.2006	355	480	12580	4091	4091
XF 95 FTS 95.480	01.2002 - 12.2006	355	480	12580	3664	3664
XF 95 FTS 95.530	09.2002 - 03.2006	390	530	12580	4091	4091
XF 95 FTS 95.530	09.2002 - 03.2006	390	530	12580	3664	3664
XF 95 FTT 95.380	01.2002 - 03.2006	280	381	12580	4091	4091
XF 95 FTT 95.380	01.2002 - 03.2006	280	381	12580	3664	3664
XF 95 FTT 95.430	01.2002 - 03.2006	315	430	12580	4091	4091
XF 95 FTT 95.430	01.2002 - 03.2006	315	430	12580	3664	3664
XF 95 FTT 95.480	01.2002 - 03.2006	355	483	12580	4091	4091
XF 95 FTT 95.480	01.2002 - 03.2006	355	483	12580	3664	3664
XF 95 FTT 95.530	09.2002 - 03.2006	390	530	12580	4091	4091
XF 95 FTT 95.530	09.2002 - 03.2006	390	530	12580	3664	3664
XF FA 410	10.2012 -	303	412	12900	4091	4091
XF FA 430	05.2017 -	315	428	12903	4091	4091
XF FA 440	10.2012 -	320	435	10800	4091	4091

**MAKE & MODEL****YEAR****KW****PS****CC****DAF**

XF FA 440	10.2012 -	320	435	10840	4091	4091
XF FA 450	05.2017 -	330	449	10837	4091	4091
XF FA 460	10.2012 -	340	462	12900	4091	4091
XF FA 480	05.2017 -	355	483	12903	4091	4091
XF FA 510	10.2012 -	375	510	12900	4091	4091
XF FA 530	05.2017 -	390	530	12903	4091	4091
XF FAD 430	05.2017 -	315	428	12903	4091	4091
XF FAD 460	10.2012 -	340	462	12900	4091	4091
XF FAD 480	05.2017 -	355	483	12903	4091	4091
XF FAD 510	10.2012 -	375	510	12900	4091	4091
XF FAD 530	05.2017 -	390	530	12903	4091	4091
XF FAK 410	10.2012 -	303	412	12902	4091	4091
XF FAK 430	05.2017 -	315	428	12903	4091	4091
XF FAK 440	10.2012 -	320	435	10837	4091	4091
XF FAK 450	05.2017 -	330	449	10837	4091	4091
XF FAK 460	10.2012 -	340	462	12903	4091	4091
XF FAK 480	05.2017 -	355	483	12903	4091	4091
XF FAK 510	12.2012 -	375	510	12903	4091	4091
XF FAK 530	05.2017 -	390	530	12903	4091	4091
XF FAN 410	10.2012 -	303	412	12900	4091	4091
XF FAN 430	05.2017 -	315	428	12903	4091	4091
XF FAN 440	10.2012 -	320	435	10840	4091	4091
XF FAN 450	05.2017 -	330	449	10837	4091	4091
XF FAN 460	10.2012 -	340	462	12900	4091	4091
XF FAN 480	05.2017 -	355	483	12903	4091	4091
XF FAN 510	10.2012 -	375	510	12900	4091	4091
XF FAN 530	05.2017 -	390	530	12903	4091	4091
XF FAR 410	10.2012 -	303	412	12900	4091	4091
XF FAR 410, FAS 410	10.2012 -	303	412	12900	4091	4091
XF FAR 430	05.2017 -	315	428	12903	4091	4091
XF FAR 440	10.2012 -	320	435	10840	4091	4091
XF FAR 440, FAS 440	10.2012 -	320	435	10840	4091	4091
XF FAR 450	05.2017 -	330	449	10837	4091	4091
XF FAR 460	10.2012 -	340	462	12900	4091	4091
XF FAR 460, FAS 460	10.2012 -	340	462	12900	4091	4091
XF FAR 480	05.2017 -	355	483	12903	4091	4091
XF FAR 510	10.2012 -	375	510	12900	4091	4091
XF FAR 510, FAS 510	10.2012 -	375	510	12900	4091	4091
XF FAR 530	05.2017 -	390	530	12903	4091	4091
XF FAS 430	05.2017 -	315	428	12903	4091	4091
XF FAS 450	05.2017 -	330	449	10837	4091	4091
XF FAS 480	05.2017 -	355	483	12903	4091	4091
XF FAS 530	05.2017 -	390	530	12903	4091	4091
XF FAT 430	05.2017 -	315	428	12903	4091	4091
XF FAT 460	06.2015 -	340	462	12903	4091	4091
XF FAT 480	05.2017 -	355	483	12903	4091	4091
XF FAT 510	06.2015 -	375	510	12903	4091	4091
XF FAT 530	05.2017 -	390	530	12903	4091	4091
XF FT 410	10.2012 -	303	412	12900	4091	4091
XF FT 430	05.2017 -	315	428	12903	4091	4091
XF FT 440	10.2012 -	320	435	10840	4091	4091
XF FT 450	05.2017 -	330	449	10837	4091	4091
XF FT 460	10.2012 -	340	462	12900	4091	4091
XF FT 480	05.2017 -	355	483	12903	4091	4091
XF FT 510	10.2012 -	375	510	12900	4091	4091
XF FT 530	05.2017 -	390	530	12903	4091	4091
XF FTG 410, FTN 410	10.2012 -	303	412	12900	4091	4091
XF FTG 430	05.2017 -	315	428	12903	4091	4091
XF FTG 440, FTN 440	10.2012 -	320	435	10840	4091	4091
XF FTG 450	05.2017 -	330	449	10837	4091	4091
XF FTG 460, FTN 460	10.2012 -	340	462	12900	4091	4091
XF FTG 480	05.2017 -	355	483	12903	4091	4091
XF FTG 510, FTN 510	10.2012 -	375	510	12900	4091	4091
XF FTG 530	05.2017 -	390	530	12903	4091	4091
XF FTM 430	05.2017 -	315	428	12903	4091	4091
XF FTM 460	10.2012 -	340	462	12900	4091	4091
XF FTM 480	05.2017 -	355	483	12903	4091	4091

**MAKE & MODEL****YEAR****KW****PS****CC****DAF**

XF FTM 510	10.2012 -	375	510	12900	4091	4091
XF FTM 530	05.2017 -	390	530	12903	4091	4091
XF FTN 430	05.2017 -	315	428	12903	4091	4091
XF FTN 450	05.2017 -	330	449	10837	4091	4091
XF FTN 480	05.2017 -	355	483	12903	4091	4091
XF FTN 530	05.2017 -	390	530	12903	4091	4091
XF FTP 410	10.2012 -	303	412	12900	4091	4091
XF FTP 410, FTR 410, FTS 410	10.2012 -	303	412	12900	4091	4091
XF FTP 430	05.2017 -	315	428	12903	4091	4091
XF FTP 440	10.2012 -	320	435	10840	4091	4091
XF FTP 440, FTR 440, FTS 440	10.2012 -	320	435	10840	4091	4091
XF FTP 450	05.2017 -	330	449	10837	4091	4091
XF FTP 460	10.2012 -	340	462	12900	4091	4091
XF FTP 460, FTR 460, FTS 460	10.2012 -	340	462	12900	4091	4091
XF FTP 480	05.2017 -	355	483	12903	4091	4091
XF FTP 510	10.2012 -	375	510	12900	4091	4091
XF FTP 510, FTR 510, FTS 510	10.2012 -	375	510	12900	4091	4091
XF FTP 530	05.2017 -	390	530	12903	4091	4091
XF FTR 430	05.2017 -	315	428	12903	4091	4091
XF FTR 450	05.2017 -	330	449	10837	4091	4091
XF FTR 480	05.2017 -	355	483	12903	4091	4091
XF FTR 530	05.2017 -	390	530	12903	4091	4091
XF FTS 430	05.2017 -	315	428	12903	4091	4091
XF FTS 450	05.2017 -	330	449	10837	4091	4091
XF FTS 480	05.2017 -	355	483	12903	4091	4091
XF FTS 530	05.2017 -	390	530	12903	4091	4091
XF FTT 430	05.2017 -	315	428	12903	4091	4091
XF FTT 460	10.2012 -	340	462	12900	4091	4091
XF FTT 480	05.2017 -	355	483	12903	4091	4091
XF FTT 510	10.2012 -	375	510	12900	4091	4091
XF FTT 530	05.2017 -	390	530	12903	4091	4091

**DENNIS**

DAGGER Dagger	01.2002 - 12.2007	184	250	5883	3908	3908
ELITE 2 240	05.2003 -	177	240	7100	3770	
ELITE 2 240 MS, RS	10.2007 -	177	240	7100	3770	
ELITE 2 240, ML	05.2003 -	177	240	7100	3770	
ELITE 2 250	05.2003 -	184	250	5883	3770	
ELITE 2 250, ML	05.2003 -	184	250	5883	3770	
ELITE 2 260	01.2010 -	191	260	7100	3770	
ELITE 2 260 MS, RS	11.2009 -	191	260	7100	3770	
ELITE 2 260, ML	12.2009 -	191	260	7100	3770	
ELITE 2 275	05.2003 -	202	275	5883	3770	
ELITE 2 275 MS, RS	11.2004 -	202	275	5883	3770	
ELITE 2 275, ML	05.2003 -	202	275	5883	3770	
ELITE 2 290	05.2003 -	213	290	7100	3770	
ELITE 2 290 MS, RS	04.2006 -	213	290	7100	3770	
ELITE 2 290, ML	05.2003 -	213	290	7100	3770	
ELITE 2 300	01.2010 -	221	301	7100	3770	
ELITE 2 300 MS, RS	05.2009 -	221	301	7100	3770	
ELITE 2 300, AR	12.2009 -	221	301	7100	3770	
ELITE 2 300, ML	12.2009 -	221	301	7100	3770	
ELITE 2 320	05.2003 -	235	320	7100	3770	
ELITE 2 320 MS	10.2008 -	235	320	7100	3770	
ELITE 2 320 MS, RS	04.2006 -	235	320	7100	3770	
ELITE 2 320, ML	05.2003 -	235	320	7100	3770	
ELITE 2 340 MS	11.2009 -	250	340	7100	3770	
OLYMPUS OL-10N, OL-13W, OL-16W	10.2009 -	191	260	7100	4091	
OLYMPUS OL-10N, OL-13W, OL-16W	10.2009 -	191	260	7100	3664	3664
OLYMPUS OL-10N, OL-13W, OL-16W	10.2009 -	221	301	7100	4091	
OLYMPUS OL-10N, OL-13W, OL-16W	10.2009 -	221	301	7100	3664	3664
OLYMPUS OL-14N, OL-16W	10.2009 -	191	260	7100	4091	
OLYMPUS OL-14N, OL-16W	10.2009 -	191	260	7100	3664	3664
OLYMPUS OL-14N, OL-16W	12.2009 -	221	301	7100	4091	
OLYMPUS OL-14N, OL-16W	12.2009 -	221	301	7100	3664	3664
OLYMPUS OL-16N, OL-19W	12.2009 -	191	260	7100	4091	
OLYMPUS OL-16N, OL-19W	12.2009 -	191	260	7100	3664	3664

**MAKE & MODEL****YEAR****KW****PS****CC****DENNIS**

OLYMPUS OL-16N, OL-19W	12.2009 -	221	301	7100	4091	
OLYMPUS OL-16N, OL-19W	12.2009 -	221	301	7100	3664	3664
OLYMPUS OL-19N, OL-21W, OL 23W	12.2009 -	221	301	7100	4091	
OLYMPUS OL-19N, OL-21W, OL 23W	12.2009 -	221	301	7100	3664	3664
OLYMPUS OL-19N, OL-21W, OL-23W	12.2009 -	191	260	7100	4091	
OLYMPUS OL-19N, OL-21W, OL-23W	12.2009 -	191	260	7100	3664	3664
OLYMPUS OL-19W, OL-21W, OL 23W	12.2009 -	221	301	7100	4091	
OLYMPUS OL-19W, OL-21W, OL 23W	12.2009 -	221	301	7100	3664	3664
OLYMPUS OL-19W, OL-21W, OL-23W	12.2009 -	191	260	7100	4091	
OLYMPUS OL-19W, OL-21W, OL-23W	12.2009 -	191	260	7100	3664	3664
OLYMPUS OL-27W	12.2009 -	191	260	7100	4091	
OLYMPUS OL-27W	12.2009 -	191	260	7100	3664	3664
OLYMPUS OL-27W	12.2009 -	221	301	7100	4091	
OLYMPUS OL-27W	12.2009 -	221	301	7100	3664	3664
PHÖNIX 2 HCTP 15-20	11.2005 -	213	290	7100	3770	
PHÖNIX 2 HCTP 50-50	10.2007 -	213	290	7100	3770	
PHÖNIX 2 HCTP 70-30	10.2007 -	213	290	7100	3770	
PHÖNIX 2 HCTP OP15	01.2003 - 12.2009	213	290	7100	3770	
PHÖNIX 2 P2-12N	04.2006 -	213	290	7100	3770	
PHÖNIX 2 P2-12W	01.2003 - 12.2009	213	290	7100	3770	
PHÖNIX 2 P2-12W	11.2007 -	213	290	7100	3770	
PHÖNIX 2 P2-15N	04.2006 -	213	290	7100	3770	
PHÖNIX 2 P2-15W	01.2003 - 12.2009	213	290	7100	3770	
PHÖNIX 2 P2-17N	04.2006 -	213	290	7100	3770	
PHÖNIX 2 P2-18W	01.2003 - 12.2009	213	290	7100	3770	
PHÖNIX 2 P2-18W	10.2006 -	213	290	7100	3770	
PHÖNIX 2 P2-20W	10.2006 -	213	290	7100	3770	
PHÖNIX 2 P2-23W	01.2003 - 12.2009	213	290	7100	3770	
PHÖNIX 2 P2-23W	10.2006 -	213	290	7100	3770	
PHÖNIX 2 P2-9N	04.2006 -	213	290	7100	3770	

**ERF**

ECM 12.36 MTP4	04.2002 -	265	360	11967	3828	3828
ECT 18.380 FLRC	06.2003 -	280	380	10824	4091	
ECT 18.380 FLRC	06.2003 -	280	380	10824	3664	3664
ECT 18.380 FLRC	06.2003 -	280	380	10824	3828	3828
ECT 18.380 FLRS	07.2005 -	280	380	10824	4091	
ECT 18.380 FLRS	07.2005 -	280	380	10824	3664	3664
ECT 18.380 FLRS	07.2005 -	280	380	10824	3828	3828
ECT 18.420 FLRC	06.2003 -	309	420	10824	4091	
ECT 18.420 FLRC	06.2003 -	309	420	10824	3664	3664
ECT 18.420 FLRC	06.2003 -	309	420	10824	3828	3828
ECT 18.420 FLRS	07.2005 -	309	420	10824	4091	
ECT 18.420 FLRS	07.2005 -	309	420	10824	3664	3664
ECT 18.420 FLRS	07.2005 -	309	420	10824	3828	3828
ECT 24.380 FPLRS	07.2005 -	280	380	10824	4091	
ECT 24.380 FPLRS	07.2005 -	280	380	10824	3664	3664
ECT 24.380 FPLRS	07.2005 -	280	380	10824	3828	3828
ECT 24.420 FPLRS	07.2005 -	309	420	10824	4091	
ECT 24.420 FPLRS	07.2005 -	309	420	10824	3664	3664
ECT 24.420 FPLRS	07.2005 -	309	420	10824	3828	3828
ECT 26.380 FNLRC, FNLLRC	06.2003 -	280	380	10824	4091	
ECT 26.380 FNLRC, FNLLRC	06.2003 -	280	380	10824	3664	3664
ECT 26.380 FNLRC, FNLLRC	06.2003 -	280	380	10824	3828	3828
ECT 26.380 FPLRS	07.2005 -	280	380	10824	4091	
ECT 26.380 FPLRS	07.2005 -	280	380	10824	3664	3664
ECT 26.380 FPLRS	07.2005 -	280	380	10824	3828	3828
ECT 26.420 FNLRC, FNLLRC	06.2003 -	309	420	10824	4091	
ECT 26.420 FNLRC, FNLLRC	06.2003 -	309	420	10824	3664	3664
ECT 26.420 FNLRC, FNLLRC	06.2003 -	309	420	10824	3828	3828
ECT 26.420 FPLRS	07.2005 -	309	420	10824	4091	
ECT 26.420 FPLRS	07.2005 -	309	420	10824	3664	3664
ECT 26.420 FPLRS	07.2005 -	309	420	10824	3828	3828

**FRUEHAUF**

Eje/Axle -Llanta 22.5" Haldex (DB22)	01.53-	---	---	---		4359
--------------------------------------	--------	-----	-----	-----	--	------





## MAKE & MODEL



YEAR

KW

PS

CC



### IRISBUS

ACCESS BUS 127 GX 127	04.2010 -	195	265	5883	3828	3828
ACCESS BUS 127 GX 127 L	03.2006 -	160	218	5883	3828	3828
ACCESS BUS 127 GX 127, GX 127 L	03.2006 - 12.2013	195	264	5883	3828	3828
AGORA Agora CNG	03.2006 -	154	209	7790	3828	3828
AGORA Agora CNG	03.2006 -	198	269	7790	3828	3828
AGORA Agora L	01.2003 -	180	245	7790	3828	3828
AGORA Agora L	01.2003 - 12.2005	213	290	7790	3828	3828
AGORA Agora S	01.2003 -	180	245	7790	3828	3828
AGORA Agora S	01.2003 - 12.2005	213	290	7790	3828	3828
ARES 12.0m 310	01.2002 -	230	313	11120	4091	
ARES 12.0m 360	01.2002 -	266	362	11120	4091	
ARES 12.8m 310	01.2002 -	228	310	7790	4091	
ARES 12.8m 350	01.2002 -	259	352	7790	4091	
ARES 15.0m 360	01.2002 -	266	362	11120	4091	
ARWAY 15M	01.2005 - 12.2013	280	380	7790	3828	3828
ARWAY 15M	01.2005 - 12.2013	331	450	10308	3828	3828
CITELIS 10.5 CNG, 12 CNG	07.2005 - 12.2013	180	245	7790	3828	3828
CITELIS 10.5 CNG, 12 CNG	07.2005 - 12.2013	213	290	7790	3828	3828
CITELIS 18 CNG	05.2007 - 12.2013	213	290	7790	3828	3828
CITELIS 18 CNG	07.2005 - 12.2013	243	330	7790	3828	3828
CREALIS 12 CNG, 12 NEO CNG	-	213	290	7790	3828	3828
CREALIS 12 CNG, 12 NEO CNG	10.2001 - 12.2003	180	245	7790	3828	3828
CREALIS 12, 12 NEO	01.2009 -	180	245	7790	3828	3828
CREALIS 12, 12 NEO	01.2009 -	213	290	7790	3828	3828
CREALIS 18 CNG, 18 NEO CNG	-	213	290	7790	3828	3828
CREALIS 18 CNG, 18 NEO CNG	-	243	330	7790	3828	3828
CREALIS 18, 18 NEO	01.2009 -	213	290	7790	3828	3828
CREALIS 18, 18 NEO	04.1998 - 12.2003	280	380	7790	3828	3828
CROSSWAY 10.6m, 12m, 12.8m	06.2006 -	243	330	7790	3828	3828
CROSSWAY 12m, 12.8m	06.2006 -	194	264	5861	3828	3828
DAILY TOURYS 16, 19	11.2006 -	107	146	2998	3828	3828
DAILY TOURYS 16, 19	11.2006 -	130	176	2998	3828	3828
DOMINO 2001	10.2003 -	254	345	9498	3828	3828
DOMINO HD	06.2006 -	280	380	10308	3828	3828
DOMINO HD, HDH	06.2006 -	330	450	10308	3828	3828
EVADYS H 12m, 12.8m	10.2003 -	280	381	7790	3828	3828
EVADYS H 12m, 12.8m	10.2003 -	280	381	7990	3828	3828
EVADYS HD 12m	10.2003 -	280	381	10308	3828	3828
EVADYS HD 12m	10.2003 -	330	450	10308	3828	3828
MAGELYS HD	08.2008 - 12.2013	280	381	10308	3828	3828
MAGELYS HD	08.2008 - 12.2013	330	450	10308	3828	3828
PROWAY Short, Long	01.2009 -	160	217	5883	3828	3828
RECREO 12m, 12.8m	10.2003 - 01.2007	228	310	7790	3828	3828

### IRIZAR

PB PB 12, PB 13	10.2009 -	300	408	12900	4091	
PB PB 12, PB 13	10.2009 -	340	462	12900	4091	
PB PB 12, PB 13	10.2009 -	375	510	12900	4091	
PB PB 14, PB 14.6, PB 16	10.2009 -	300	408	12900	4091	
PB PB 14, PB 14.6, PB 16	10.2009 -	340	462	12900	4091	
PB PB 14, PB 14.6, PB 16	10.2009 -	375	510	12900	4091	

### IVECO

CROSSWAY 320, LE 320	01.2016 -	235	320	6728	3828	3828
CROSSWAY 360, LE 360, PRO 360	01.2016 -	265	360	8708	3828	3828
CROSSWAY LE 285	01.2016 -	209	284	6728	3828	3828
CROSSWAY PRO 400	01.2016 -	294	400	8708	3828	3828
EUROCARGO I-III 110 E 18 tector, 110 E 18 P tector, 110 EL 18 P tector	09.2006 - 09.2015	134	182	3922	3565	
EUROCARGO I-III 110 E 22 tector, 110 E 22 P tector, 110 EL 22 P tector	09.2006 - 09.2015	160	217	5883	3565	
EUROCARGO I-III 110 E 22 W tector	05.2006 - 09.2015	160	217	5883	3565	
EUROCARGO I-III 110 E 22 WS tector	05.2006 - 09.2015	160	217	5883	3565	
EUROCARGO I-III 110 E 25 W tector	05.2006 - 09.2015	185	251	5883	3565	
EUROCARGO I-III 110 E 25 WS tector	05.2006 - 09.2015	185	251	5883	3565	
EUROCARGO I-III 120 E 15	01.1991 - 09.2015	105	143	5861	3789	3789
EUROCARGO I-III 120 E 15	01.1991 - 09.2015	105	143	5861	3789/1	3789/1
EUROCARGO I-III 120 E 15 K	01.1991 - 09.2015	105	143	5861	3789	3789
EUROCARGO I-III 120 E 15 K	01.1991 - 09.2015	105	143	5861	3789/1	3789/1

**MAKE & MODEL****YEAR****KW****PS****CC****IVECO**

EUROCARGO I-III 120 E 18 K	01.1991 - 09.2015	130	177	5861	3789	3789
EUROCARGO I-III 120 E 18 K	01.1991 - 09.2015	130	177	5861	3789/1	3789/1
EUROCARGO I-III 120 E 18 K tector, 120 E 18 DK tector	09.2006 - 09.2015	134	182	3922	3565	3565
EUROCARGO I-III 120 E 18, 120 E 18 P, 120 E 18 H	01.1991 - 09.2015	130	177	5861	3789	3789
EUROCARGO I-III 120 E 18, 120 E 18 P, 120 E 18 H	01.1991 - 09.2015	130	177	5861	3789/1	3789/1
EUROCARGO I-III 120 E 21 K tector	09.2000 - 09.2015	154	209	5883	3565	
EUROCARGO I-III 120 E 21 tector, 120 E 21 P tector, 120 E 21 FP tector	09.2000 - 09.2015	154	209	5883	3565	
EUROCARGO I-III 120 E 22 D tector, 120 E 22 P tector, 120 E 22 FP tector	09.2006 - 09.2015	160	218	5883	3565	3565
EUROCARGO I-III 120 E 22 K tector	09.2006 - 09.2015	160	218	5883	3565	3565
EUROCARGO I-III 120 E 23, 120 E 23 P, 120 E 23 FP, 120 E 23 H	01.1991 - 09.2015	167	227	5861	3789	3789
EUROCARGO I-III 120 E 23, 120 E 23 P, 120 E 23 FP, 120 E 23 H	01.1991 - 09.2015	167	227	5861	3789/1	3789/1
EUROCARGO I-III 120 E 24 K tector, 120 E 24 DK tector	09.2000 - 09.2015	176	240	5883	3565	
EUROCARGO I-III 120 E 24, 120 E 24 DP tector, 120 E 25 FP tector	09.2000 - 09.2015	176	240	5883	3565	
EUROCARGO I-III 120 E 25 K tector, 120 E 25 DK tector	09.2006 - 09.2015	185	252	5883	3565	3565
EUROCARGO I-III 120 E 25 K tector, 120 E 25 DK tector	09.2006 - 09.2015	185	252	5883	3789	3789
EUROCARGO I-III 120 E 25 K tector, 120 E 25 DK tector	09.2006 - 09.2015	185	252	5883	3789/1	3789/1
EUROCARGO I-III 120 E 28 K tector	09.2000 - 09.2015	202	275	5883	3565	
EUROCARGO I-III 120 E 28 K tector	09.2000 - 09.2015	202	275	5883	3789	3789
EUROCARGO I-III 120 E 28 K tector	09.2000 - 09.2015	202	275	5883	3789/1	3789/1
EUROCARGO I-III 120 E 28 tector, 120 E 28 P tector, 120 E 28 FP tector	09.2000 - 09.2015	202	275	5883	3565	
EUROCARGO I-III 120 E 28 tector, 120 E 28 P tector, 120 E 28 FP tector	09.2000 - 09.2015	202	275	5883	3789	3789
EUROCARGO I-III 120 E 28 tector, 120 E 28 P tector, 120 E 28 FP tector	09.2000 - 09.2015	202	275	5883	3789/1	3789/1
EUROCARGO I-III 130 E 15	01.1991 - 09.2015	105	143	5861	3789	3789
EUROCARGO I-III 130 E 15	01.1991 - 09.2015	105	143	5861	3789/1	3789/1
EUROCARGO I-III 130 E 15 K	01.1991 - 09.2015	105	143	5861	3789	3789
EUROCARGO I-III 130 E 15 K	01.1991 - 09.2015	105	143	5861	3789/1	3789/1
EUROCARGO I-III 130 E 18	01.1991 - 09.2015	130	177	5861	3789	3789
EUROCARGO I-III 130 E 18	01.1991 - 09.2015	130	177	5861	3789/1	3789/1
EUROCARGO I-III 130 E 18 D tector, 130 E 18 DP tector	09.2006 - 09.2015	134	182	3922	3789	3789
EUROCARGO I-III 130 E 18 D tector, 130 E 18 DP tector	09.2006 - 09.2015	134	182	3922	3789/1	3789/1
EUROCARGO I-III 130 E 18 K	01.1991 - 09.2015	130	177	5861	3789	3789
EUROCARGO I-III 130 E 18 K	01.1991 - 09.2015	130	177	5861	3789/1	3789/1
EUROCARGO I-III 130 E 18 K tector, 130 E 18 DK tector	09.2000 - 09.2015	134	181	5883	3789	3789
EUROCARGO I-III 130 E 18 K tector, 130 E 18 DK tector	09.2000 - 09.2015	134	181	5883	3789/1	3789/1
EUROCARGO I-III 130 E 18 tector, 130 E 18 D tector, 130 E 18 DP tector	09.2000 - 09.2015	134	181	5883	3789	3789
EUROCARGO I-III 130 E 18 tector, 130 E 18 D tector, 130 E 18 DP tector	09.2000 - 09.2015	134	181	5883	3789/1	3789/1
EUROCARGO I-III 130 E 21 K tector	09.2000 - 09.2015	154	209	5883	3789	3789
EUROCARGO I-III 130 E 21 K tector	09.2000 - 09.2015	154	209	5883	3789/1	3789/1
EUROCARGO I-III 130 E 23	01.1991 - 09.2015	167	227	5861	3789	3789
EUROCARGO I-III 130 E 23	01.1991 - 09.2015	167	227	5861	3789/1	3789/1
EUROCARGO I-III 130 E 24 K tector, 130 E 24 DK tector	09.2000 - 09.2015	176	240	5883	3789	3789
EUROCARGO I-III 130 E 24 K tector, 130 E 24 DK tector	09.2000 - 09.2015	176	240	5883	3789/1	3789/1
EUROCARGO I-III 130 E 24 tector, 130 E 24 D tector, 130 E 24 DP tector	09.2000 - 09.2015	176	240	5883	3789	3789
EUROCARGO I-III 130 E 24 tector, 130 E 24 D tector, 130 E 24 DP tector	09.2000 - 09.2015	176	240	5883	3789/1	3789/1
EUROCARGO I-III 130 E 25 D tector, 130 E 25 DP tector	09.2006 - 09.2015	185	252	5883	3789	3789
EUROCARGO I-III 130 E 25 D tector, 130 E 25 DP tector	09.2006 - 09.2015	185	252	5883	3789/1	3789/1
EUROCARGO I-III 130 E 25 DK tector	09.2006 - 09.2015	185	252	5883	3789	3789
EUROCARGO I-III 130 E 25 DK tector	09.2006 - 09.2015	185	252	5883	3789/1	3789/1
EUROCARGO I-III 130 E 28 K tector	09.2000 - 09.2015	202	275	5883	3789	3789
EUROCARGO I-III 130 E 28 K tector	09.2000 - 09.2015	202	275	5883	3789/1	3789/1
EUROCARGO I-III 130 E 28 tector	09.2000 - 09.2015	202	275	5883	3789	3789
EUROCARGO I-III 130 E 28 tector	09.2000 - 09.2015	202	275	5883	3789/1	3789/1
EUROCARGO I-III 135 E 18 W	01.1991 - 09.2015	130	177	5861	3789	3789
EUROCARGO I-III 135 E 18 W	01.1991 - 09.2015	130	177	5861	3789/1	3789/1
EUROCARGO I-III 135 E 21 W	01.1991 - 09.2015	152	207	5861	3789	3789
EUROCARGO I-III 135 E 21 W	01.1991 - 09.2015	152	207	5861	3789/1	3789/1
EUROCARGO I-III 135 E 23 W	01.1991 - 09.2015	167	227	5861	3789	3789
EUROCARGO I-III 135 E 23 W	01.1991 - 09.2015	167	227	5861	3789/1	3789/1
EUROCARGO I-III 140 E 18 K	05.2005 - 09.2015	134	181	5883	3789	3789
EUROCARGO I-III 140 E 18 K	05.2005 - 09.2015	134	181	5883	3789/1	3789/1
EUROCARGO I-III 140 E 18 K tector, 140 E 18 DK tector	09.2006 - 09.2015	134	182	3922	3789	3789
EUROCARGO I-III 140 E 18 K tector, 140 E 18 DK tector	09.2006 - 09.2015	134	182	3922	3789/1	3789/1
EUROCARGO I-III 140 E 18 tector, 140 E 18 P tector, 140 E 18 D FP tector	09.2006 - 09.2015	134	182	3922	3789	3789
EUROCARGO I-III 140 E 18 tector, 140 E 18 P tector, 140 E 18 D FP tector	09.2006 - 09.2015	134	182	3922	3789/1	3789/1
EUROCARGO I-III 140 E 18 W tector	09.2000 - 09.2015	134	181	5883	3789	3789
EUROCARGO I-III 140 E 18 W tector	09.2000 - 09.2015	134	181	5883	3789/1	3789/1
EUROCARGO I-III 140 E 18, 140 E 18 P, 140 E 18 FP	05.2005 - 09.2015	134	181	5883	3789	3789



**MAKE & MODEL****YEAR****KW****PS****CC****IVECO**

EUROCARGO I-III 140 E 18, 140 E 18 P, 140 E 18 FP	05.2005 - 09.2015	134	181	5883	3789/1	3789/1
EUROCARGO I-III 140 E 21 K	05.2005 - 09.2015	154	209	5883	3789	3789
EUROCARGO I-III 140 E 21 K	05.2005 - 09.2015	154	209	5883	3789/1	3789/1
EUROCARGO I-III 140 E 21 tector, 140 E 21 P, 140 E 21 FP	03.2005 - 09.2015	154	209	5883	3789	3789
EUROCARGO I-III 140 E 21 tector, 140 E 21 P, 140 E 21 FP	03.2005 - 09.2015	154	209	5883	3789/1	3789/1
EUROCARGO I-III 140 E 22 K tector	09.2006 - 09.2015	160	218	5883	3789	3789
EUROCARGO I-III 140 E 22 K tector	09.2006 - 09.2015	160	218	5883	3789/1	3789/1
EUROCARGO I-III 140 E 22 tector, 140 E 22 P tector, 140 E 22 D FP tector	09.2006 - 09.2015	160	218	5883	3789	3789
EUROCARGO I-III 140 E 22 tector, 140 E 22 P tector, 140 E 22 D FP tector	09.2006 - 09.2015	160	218	5883	3789/1	3789/1
EUROCARGO I-III 140 E 24 K tector	09.2000 - 09.2015	176	240	5883	3789	3789
EUROCARGO I-III 140 E 24 K tector	09.2000 - 09.2015	176	240	5883	3789/1	3789/1
EUROCARGO I-III 140 E 24 tector, 14 E 24 P tector, 140 E 24 FP tector	09.2000 - 09.2015	176	240	5883	3789	3789
EUROCARGO I-III 140 E 24 tector, 14 E 24 P tector, 140 E 24 FP tector	09.2000 - 09.2015	176	240	5883	3789/1	3789/1
EUROCARGO I-III 140 E 24 W tector, 140 E 24 WS tector	09.2000 - 09.2015	176	240	5883	3789	3789
EUROCARGO I-III 140 E 24 W tector, 140 E 24 WS tector	09.2000 - 09.2015	176	240	5883	3789/1	3789/1
EUROCARGO I-III 140 E 25 K tector, 140 E 25 DK tector	09.2006 - 09.2015	185	251	5883	3789	3789
EUROCARGO I-III 140 E 25 K tector, 140 E 25 DK tector	09.2006 - 09.2015	185	251	5883	3789/1	3789/1
EUROCARGO I-III 140 E 25 W tector, 140 E 25 WS tector	09.2006 - 09.2015	185	251	5883	3789	3789
EUROCARGO I-III 140 E 25 W tector, 140 E 25 WS tector	09.2006 - 09.2015	185	251	5883	3789/1	3789/1
EUROCARGO I-III 140 E 28 K tector	09.2006 - 09.2015	202	275	5883	3789	3789
EUROCARGO I-III 140 E 28 K tector	09.2006 - 09.2015	202	275	5883	3789/1	3789/1
EUROCARGO I-III 140 E 28 tector, 140 E 28 P tector, 140 E 28 FP tector	09.2006 - 09.2015	202	275	5883	3789	3789
EUROCARGO I-III 140 E 28 tector, 140 E 28 P tector, 140 E 28 FP tector	09.2006 - 09.2015	202	275	5883	3789/1	3789/1
EUROCARGO I-III 140 E 28 W tector, 140 E 28 WS tector	09.2006 - 09.2015	205	279	5883	3789	3789
EUROCARGO I-III 140 E 28 W tector, 140 E 28 WS tector	09.2006 - 09.2015	205	279	5883	3789/1	3789/1
EUROCARGO I-III 140 E D 25 tector, 140 E 25 P tector, 140 E 25 FP tector	09.2006 - 09.2015	185	251	5883	3789	3789
EUROCARGO I-III 140 E D 25 tector, 140 E 25 P tector, 140 E 25 FP tector	09.2006 - 09.2015	185	251	5883	3789/1	3789/1
EUROCARGO I-III 150 E 18 K	01.1991 - 09.2015	130	177	5861	4091	
EUROCARGO I-III 150 E 18 K tector	09.2000 - 09.2015	134	181	5883	3789	3789
EUROCARGO I-III 150 E 18 K tector	09.2000 - 09.2015	134	181	5883	3789/1	3789/1
EUROCARGO I-III 150 E 18 K tector	09.2006 - 09.2015	134	182	3922	3789	3789
EUROCARGO I-III 150 E 18 K tector	09.2006 - 09.2015	134	182	3922	3789/1	3789/1
EUROCARGO I-III 150 E 18 tector	09.2000 - 09.2015	134	181	5883	3789	3789
EUROCARGO I-III 150 E 18 tector	09.2000 - 09.2015	134	181	5883	3789/1	3789/1
EUROCARGO I-III 150 E 18 tector, 150 E 18 P tector, 150 E 18 FP tector	09.2006 - 09.2015	134	182	3922	3789	3789
EUROCARGO I-III 150 E 18 tector, 150 E 18 P tector, 150 E 18 FP tector	09.2006 - 09.2015	134	182	3922	3789/1	3789/1
EUROCARGO I-III 150 E 18, 150 E 18 P	01.1991 - 09.2015	129	175	5861	4091	
EUROCARGO I-III 150 E 21 K tector	09.2000 - 09.2015	154	209	5883	3789	3789
EUROCARGO I-III 150 E 21 K tector	09.2000 - 09.2015	154	209	5883	3789/1	3789/1
EUROCARGO I-III 150 E 21 tector, 150 E 21 P tector, 150 E 21 FP tector	09.2000 - 09.2015	154	209	5883	3789	3789
EUROCARGO I-III 150 E 21 tector, 150 E 21 P tector, 150 E 21 FP tector	09.2000 - 09.2015	154	209	5883	3789/1	3789/1
EUROCARGO I-III 150 E 22 K tector	09.2006 - 09.2015	160	217	5883	3789	3789
EUROCARGO I-III 150 E 22 K tector	09.2006 - 09.2015	160	217	5883	3789/1	3789/1
EUROCARGO I-III 150 E 22 tector, 150 E 22 P tector, 150 E 22 FP tector	09.2006 - 09.2015	160	217	5883	3789	3789
EUROCARGO I-III 150 E 22 tector, 150 E 22 P tector, 150 E 22 FP tector	09.2006 - 09.2015	160	217	5883	3789/1	3789/1
EUROCARGO I-III 150 E 23, 150 E 23 P, 150 E 23 FP	01.1991 - 09.2015	167	227	5861	4091	
EUROCARGO I-III 150 E 24 K tector	09.2000 - 09.2015	176	240	5883	3789	3789
EUROCARGO I-III 150 E 24 K tector	09.2000 - 09.2015	176	240	5883	3789/1	3789/1
EUROCARGO I-III 150 E 24 tector, 150 E 25 tector	09.2000 - 09.2015	176	240	5883	3789	3789
EUROCARGO I-III 150 E 24 tector, 150 E 25 tector	09.2000 - 09.2015	176	240	5883	3789/1	3789/1
EUROCARGO I-III 150 E 25 K tector	09.2006 - 09.2015	185	252	5883	3789	3789
EUROCARGO I-III 150 E 25 K tector	09.2006 - 09.2015	185	252	5883	3789/1	3789/1
EUROCARGO I-III 150 E 25 W tector	09.2006 - 09.2015	185	252	5883	3789	3789
EUROCARGO I-III 150 E 25 W tector	09.2006 - 09.2015	185	252	5883	3789/1	3789/1
EUROCARGO I-III 150 E 25 WS tector	09.2006 - 09.2015	185	252	5883	3789	3789
EUROCARGO I-III 150 E 25 WS tector	09.2006 - 09.2015	185	252	5883	3789/1	3789/1
EUROCARGO I-III 150 E 27, 150 E 27 P, 150 E27FP, 150 E 27 R	01.1991 - 09.2015	196	267	7685	4091	
EUROCARGO I-III 150 E 28 K tector	09.2000 - 09.2015	202	275	5883	3789	3789
EUROCARGO I-III 150 E 28 K tector	09.2000 - 09.2015	202	275	5883	3789/1	3789/1
EUROCARGO I-III 150 E 28 tector	09.2000 - 09.2015	202	275	5883	3789	3789
EUROCARGO I-III 150 E 28 tector	09.2000 - 09.2015	202	275	5883	3789/1	3789/1
EUROCARGO I-III 150 E 28 W tector	09.2006 - 09.2015	202	275	5883	3789	3789
EUROCARGO I-III 150 E 28 W tector	09.2006 - 09.2015	202	275	5883	3789/1	3789/1
EUROCARGO I-III 150 E 28 WS tector	09.2006 - 09.2015	205	279	5883	3789	3789
EUROCARGO I-III 150 E 28 WS tector	09.2006 - 09.2015	205	279	5883	3789/1	3789/1
EUROCARGO I-III 150 E 30 K tector	09.2006 - 09.2015	220	299	5883	3789	3789
EUROCARGO I-III 150 E 30 K tector	09.2006 - 09.2015	220	299	5883	3789/1	3789/1

**MAKE & MODEL****YEAR****KW****PS****CC****IVECO**

EUROCARGO I-III 150 E 30 tector, 150 E 30 P tector, 150 E 30 FP tector	09.2006 - 09.2015	220	299	5883	3789	3789
EUROCARGO I-III 150 E 30 tector, 150 E 30 P tector, 150 E 30 FP tector	09.2006 - 09.2015	220	299	5883	3789/1	3789/1
EUROCARGO I-III 160 E 18 K tector	09.2006 - 09.2015	134	182	3922	3789	3789
EUROCARGO I-III 160 E 18 K tector	09.2006 - 09.2015	134	182	3922	3789/1	3789/1
EUROCARGO I-III 160 E 18 tector, 160 E 18 P tector	09.2006 - 09.2015	134	182	3922	3789	3789
EUROCARGO I-III 160 E 18 tector, 160 E 18 P tector	09.2006 - 09.2015	134	182	3922	3789/1	3789/1
EUROCARGO I-III 160 E 21 tector, 160 E 21 P tector	09.2000 - 09.2015	154	209	5883	3789	3789
EUROCARGO I-III 160 E 21 tector, 160 E 21 P tector	09.2000 - 09.2015	154	209	5883	3789/1	3789/1
EUROCARGO I-III 160 E 22 K tector	09.2006 - 09.2015	160	218	5883	3789	3789
EUROCARGO I-III 160 E 22 K tector	09.2006 - 09.2015	160	218	5883	3789/1	3789/1
EUROCARGO I-III 160 E 22 tector, 160 E 22 P tector	09.2006 - 09.2015	160	218	5883	3789	3789
EUROCARGO I-III 160 E 22 tector, 160 E 22 P tector	09.2006 - 09.2015	160	218	5883	3789/1	3789/1
EUROCARGO I-III 160 E 24 tector, 160 E 24 P tector	09.2000 - 09.2015	176	239	5883	3789	3789
EUROCARGO I-III 160 E 24 tector, 160 E 24 P tector	09.2000 - 09.2015	176	239	5883	3789/1	3789/1
EUROCARGO I-III 160 E 25 K tector	09.2006 - 09.2015	185	252	5883	3789	3789
EUROCARGO I-III 160 E 25 K tector	09.2006 - 09.2015	185	252	5883	3789/1	3789/1
EUROCARGO I-III 160 E 25 tector, 160 E 25 P tector	09.2006 - 09.2015	185	252	5883	3789	3789
EUROCARGO I-III 160 E 25 tector, 160 E 25 P tector	09.2006 - 09.2015	185	252	5883	3789/1	3789/1
EUROCARGO I-III 160 E 28 K tector	09.2006 - 09.2015	205	279	5883	3789	3789
EUROCARGO I-III 160 E 28 K tector	09.2006 - 09.2015	205	279	5883	3789/1	3789/1
EUROCARGO I-III 160 E 28 tector, 160 E 28 P tector	09.2000 - 09.2015	202	275	5883	3525	3525
EUROCARGO I-III 160 E 30 K tector	09.2006 - 09.2015	220	299	5883	4091	
EUROCARGO I-III 160 E 30 tector, 160 E 30 P tector	09.2006 - 09.2015	220	299	5883	4091	
EUROCARGO I-III 170 E 15 K	12.1991 - 07.2000	105	143	5861	4091	
EUROCARGO I-III 170 E 18 K, 180 E 18 K	01.1991 - 09.2015	130	177	5861	4091	
EUROCARGO I-III 170 E 18 K, 180 E 18 K	01.1991 - 09.2015	130	177	5861	3525	3525
EUROCARGO I-III 170 E 18, 180 E 18	01.1991 - 09.2015	130	177	5861	4091	
EUROCARGO I-III 170 E 18, 180 E 18	01.1991 - 09.2015	130	177	5861	3525	3525
EUROCARGO I-III 170 E 23 K, 180 E 23 K	01.1991 - 09.2015	167	227	5816	4091	
EUROCARGO I-III 170 E 23 K, 180 E 23 K	01.1991 - 09.2015	167	227	5816	3525	3525
EUROCARGO I-III 170 E 23, 180 E 23	01.1991 - 09.2015	167	227	5816	4091	
EUROCARGO I-III 170 E 23, 180 E 23	01.1991 - 09.2015	167	227	5816	3525	3525
EUROCARGO I-III 170 E 27, 180 E 27	01.1991 - 09.2015	196	267	7685	4091	
EUROCARGO I-III 170 E 27, 180 E 27	01.1991 - 09.2015	196	267	7685	3525	3525
EUROCARGO I-III 180 E 21 K tector	09.2000 - 09.2015	154	209	5883	4091	
EUROCARGO I-III 180 E 21 K tector	09.2000 - 09.2015	154	209	5883	3664	3664
EUROCARGO I-III 180 E 21 tector	09.2000 - 09.2015	154	209	5883	4091	
EUROCARGO I-III 180 E 21 tector	09.2000 - 09.2015	154	209	5883	3664	3664
EUROCARGO I-III 180 E 22 tector, 180 E 22 P tector	09.2006 - 09.2015	160	218	5883	4091	
EUROCARGO I-III 180 E 22 tector, 180 E 22 P tector	09.2006 - 09.2015	160	218	5883	3664	3664
EUROCARGO I-III 180 E 24 K tector	09.2000 - 09.2015	176	240	5883	4091	
EUROCARGO I-III 180 E 24 K tector	09.2000 - 09.2015	176	240	5883	3664	3664
EUROCARGO I-III 180 E 24, 180 E 25 tector	09.2000 - 09.2015	176	240	5883	4091	
EUROCARGO I-III 180 E 24, 180 E 25 tector	09.2000 - 09.2015	176	240	5883	3664	3664
EUROCARGO I-III 180 E 25 K tector	09.2006 - 09.2015	185	252	5883	4091	
EUROCARGO I-III 180 E 25 K tector	09.2006 - 09.2015	185	252	5883	3664	3664
EUROCARGO I-III 180 E 28 K tector	09.2000 - 09.2015	202	275	5883	4091	
EUROCARGO I-III 180 E 28 K tector	09.2000 - 09.2015	202	275	5883	3664	3664
EUROCARGO I-III 180 E 28 tector, 180 E 28 P tector	09.2000 - 09.2015	202	275	5883	4091	
EUROCARGO I-III 180 E 28 tector, 180 E 28 P tector	09.2000 - 09.2015	202	275	5883	3664	3664
EUROCARGO I-III 180 E 30 K tector	09.2006 - 09.2015	220	299	5883	4091	
EUROCARGO I-III 180 E 30 K tector	09.2006 - 09.2015	220	299	5883	3664	3664
EUROCARGO I-III 180 E 30 tector, 180 E 30 P tector	08.2006 - 09.2015	220	299	5883	4091	
EUROCARGO I-III 180 E 30 tector, 180 E 30 P tector	08.2006 - 09.2015	220	299	5883	3664	3664
EUROCARGO I-III 190 E 25 tector, 190 E 25 P tector	05.2008 - 09.2015	185	252	5883	4091	
EUROCARGO I-III 190 E 25 tector, 190 E 25 P tector	05.2008 - 09.2015	185	252	5883	3664	3664
EUROCARGO I-III 190 E 28 tector, 190 E 28 P tector	05.2008 - 09.2015	205	279	5883	4091	
EUROCARGO I-III 190 E 28 tector, 190 E 28 P tector	05.2008 - 09.2015	205	279	5883	3664	3664
EUROCARGO I-III 190 E 30 tector, 190 E 30 P tector	05.2008 - 09.2015	220	299	5883	4091	
EUROCARGO I-III 190 E 30 tector, 190 E 30 P tector	05.2008 - 09.2015	220	299	5883	3664	3664
EUROCARGO I-III 225 E 28 tector	09.2006 - 09.2015	202	275	5883	4091	
EUROCARGO I-III 225 E 28 tector	09.2006 - 09.2015	202	275	5883	3664	3664
EUROCARGO I-III 230 E 25 tector	05.2009 - 09.2015	185	251	5883	3664	3664
EUROCARGO I-III 230 E 28 tector	09.2006 - 09.2015	202	275	5883	3525	3525
EUROCARGO I-III 230 E 28 tector	09.2006 - 09.2015	202	275	5883	3664	3664
EUROCARGO I-III 230 E 30 tector	02.2008 - 09.2015	220	299	5883	4091	
EUROCARGO I-III 230 E 30 tector	02.2008 - 09.2015	220	299	5883	3664	3664

**MAKE & MODEL****YEAR****KW****PS****CC****IVECO**

EUROCARGO I-III 260 E 23	01.1992 - 09.2015	167	227	5861	4091	
EUROCARGO I-III 260 E 27 KE	09.2000 - 09.2015	196	267	7685	3664	3664
EUROCARGO I-III 260 E 28 K tector, 260 E 28 KE tector	09.2000 - 09.2015	202	275	5883	3789	3789
EUROCARGO I-III 260 E 28 K tector, 260 E 28 KE tector	09.2000 - 09.2015	202	275	5883	3664	3664
EUROCARGO I-III 260 E 28 K tector, 260 E 28 KE tector	09.2000 - 09.2015	202	275	5883	3789/1	3789/1
EUROCARGO I-III 280 E 23 T	01.1991 - 09.2015	167	227	5861	3789	3789
EUROCARGO I-III 280 E 23 T	01.1991 - 09.2015	167	227	5861	3789/1	3789/1
EUROCARGO I-III 280 E 23, 280 E 23 P	01.2009 - 09.2015	167	227	5861	3789	3789
EUROCARGO I-III 280 E 23, 280 E 23 P	01.2009 - 09.2015	167	227	5861	3789/1	3789/1
EUROCARGO I-III 320 E 27 T	01.1991 - 09.2015	196	267	7685	4091	
EUROCARGO I-III 320 E 27, 320 E 27 P	01.1992 - 09.2015	196	267	7685	3789	3789
EUROCARGO I-III 320 E 27, 320 E 27 P	01.1992 - 09.2015	196	267	7685	3789/1	3789/1
EUROCARGO I-III 320 E 28 T tector	09.2000 - 09.2015	202	275	5883	4091	
EUROCARGO I-III 320 E 28 T tector	09.2000 - 09.2015	202	275	5883	3789	3789
EUROCARGO I-III 320 E 28 T tector	09.2000 - 09.2015	202	275	5883	3664	3664
EUROCARGO I-III 320 E 28 T tector	09.2000 - 09.2015	202	275	5883	3789/1	3789/1
EuroCargo V 140E19, 140E19P	09.2015 -	137	186	4485	3789	
EuroCargo V 140E19, 140E19P	09.2015 -	137	186	4485	3789/2	
EuroCargo V 140E21, 140E21P	09.2015 -	152	207	4485	3789	
EuroCargo V 140E21, 140E21P	09.2015 -	152	207	4485	3789/2	
EuroCargo V 140E22, 140E22FP, 140E22P	09.2015 -	162	220	6728	3789	
EuroCargo V 140E22, 140E22FP, 140E22P	09.2015 -	162	220	6728	3789/2	
EuroCargo V 140E25, 140E25FP, 140E25P	09.2015 -	185	252	6728	3789	
EuroCargo V 140E25, 140E25FP, 140E25P	09.2015 -	185	252	6728	3789/2	
EuroCargo V 140E28, 140E28FP, 140E28P	09.2015 -	206	280	6728	3789	
EuroCargo V 140E28, 140E28FP, 140E28P	09.2015 -	206	280	6728	3789/2	
EuroCargo V 150E28, 150E28FP, 150E28P	09.2015 -	206	280	6728	3789	
EuroCargo V 150E28, 150E28FP, 150E28P	09.2015 -	206	280	6728	3789/2	
EuroCargo V 150E32, 150E32FP, 150E32P	09.2015 -	235	320	6728	3789	
EuroCargo V 150E32, 150E32FP, 150E32P	09.2015 -	235	320	6728	3789/2	
EuroCargo V 160E21, 160E21P	09.2015 -	152	207	4485	3789	
EuroCargo V 160E21, 160E21P	09.2015 -	152	207	4485	3789/2	
EuroCargo V 160E22, 160E22P	09.2015 -	162	220	6728	3789	
EuroCargo V 160E22, 160E22P	09.2015 -	162	220	6728	3789/2	
EuroCargo V 160E25, 160E25FP, 160E25P	09.2015 -	185	252	6728	3789	
EuroCargo V 160E25, 160E25FP, 160E25P	09.2015 -	185	252	6728	3789/2	
EUROFIRE 130 E 24 tector	09.2000 -	176	240	5883	3789	3789
EUROFIRE 130 E 24 tector	09.2000 -	176	240	5883	3789/1	3789/1
EUROFIRE 140 E 25 tector	09.2006 -	185	251	5883	3789	3789
EUROFIRE 140 E 25 tector	09.2006 -	185	251	5883	3789/1	3789/1
EUROFIRE 150 E 24 tector	09.2000 -	176	240	5883	3789	3789
EUROFIRE 150 E 24 tector	09.2000 -	176	240	5883	3789/1	3789/1
EUROFIRE 150 E 28 tector	09.2006 -	202	275	5883	3789	3789
EUROFIRE 150 E 28 tector	09.2006 -	202	275	5883	3789/1	3789/1
EUROFIRE 160 E 30 tector	09.2006 -	220	299	5883	3789	3789
EUROFIRE 160 E 30 tector	09.2006 -	220	299	5883	3789/1	3789/1
EUROFIRE 75 E 15 tector	09.2000 -	110	149	3922	3525	3525
EUROFIRE 80 E 18 tector	09.2006 -	130	177	3922	3525	3525
EUROFIRE 95 E 18 W	01.1993 -	130	177	5861	3525	3525
EUROSTAR LD 190 E 38 P	01.1993 - 02.2002	276	375	9498	3525	3525
EUROSTAR LD 190 E 38 P	01.1993 - 02.2002	276	375	9498	3664	3664
EUROSTAR LD 190 E 39 P, LD 190 E 39 FP	11.1999 - 02.2002	287	390	10308	3525	3525
EUROSTAR LD 190 E 39 P, LD 190 E 39 FP	11.1999 - 02.2002	287	390	10308	3664	3664
EUROSTAR LD 190 E 40	09.2000 - 02.2002	294	400	10308	3525	3525
EUROSTAR LD 190 E 40	09.2000 - 02.2002	294	400	10308	3664	3664
EUROSTAR LD 190 E 42, LD 190 E 42 P	01.1993 - 02.2002	309	420	13798	3525	3525
EUROSTAR LD 190 E 42, LD 190 E 42 P	01.1993 - 02.2002	309	420	13798	3664	3664
EUROSTAR LD 190 E 43, LD 190 E 43 P, LD 190 E 43 FP	11.1999 - 02.2002	316	430	10308	3525	3525
EUROSTAR LD 190 E 43, LD 190 E 43 P, LD 190 E 43 FP	11.1999 - 02.2002	316	430	10308	3664	3664
EUROSTAR LD 190 E 47	01.1993 - 02.2002	345	469	13798	3525	3525
EUROSTAR LD 190 E 47	01.1993 - 02.2002	345	469	13798	3664	3664
EUROSTAR LD 190 E 52	01.1993 - 02.2002	378	514	17173	3664	
EUROSTAR LD 190 E 52	01.1993 - 02.2002	378	514	17173	3525	3525
EUROSTAR LD 240 E 38	01.1993 - 02.2002	276	375	9498	3664	
EUROSTAR LD 240 E 38	01.1993 - 02.2002	276	375	9498	4091	
EUROSTAR LD 240 E 38	01.1993 - 02.2002	276	375	9498	3525	3525
EUROSTAR LD 240 E 42 FS, LD 240 E 42 PS	01.1993 - 02.2002	309	420	13798	3664	

**MAKE & MODEL****YEAR****KW****PS****CC****IVECO**

EUROSTAR LD 240 E 42 FS, LD 240 E 42 PS	01.1993 - 02.2002	309	420	13798	4091	
EUROSTAR LD 240 E 42 FS, LD 240 E 42 PS	01.1993 - 02.2002	309	420	13798	3525	3525
EUROSTAR LD 240 E 47 PS	01.1993 - 02.2002	345	469	13798	3664	
EUROSTAR LD 240 E 47 PS	01.1993 - 02.2002	345	469	13798	4091	
EUROSTAR LD 240 E 47 PS	01.1993 - 02.2002	345	469	13798	3525	3525
EUROSTAR LD 240 E 52 PS	01.1993 - 02.2002	378	514	17173	3664	
EUROSTAR LD 240 E 52 PS	01.1993 - 02.2002	378	514	17173	4091	
EUROSTAR LD 240 E 52 PS	01.1993 - 02.2002	378	514	17173	3525	3525
EUROSTAR LD 260 E 38 P	01.1993 - 02.2002	276	375	9498	3525	3525
EUROSTAR LD 260 E 38 P	01.1993 - 02.2002	276	375	9498	3664	3664
EUROSTAR LD 260 E 39 P, LD 260 E 39 FP	11.1999 - 02.2002	287	390	10308	3664	
EUROSTAR LD 260 E 39 P, LD 260 E 39 FP	11.1999 - 02.2002	287	390	10308	3525	3525
EUROSTAR LD 260 E 40	09.2000 - 02.2002	294	400	10308	3664	
EUROSTAR LD 260 E 40	09.2000 - 02.2002	294	400	10308	4091	
EUROSTAR LD 260 E 40	09.2000 - 02.2002	294	400	10308	3525	3525
EUROSTAR LD 260 E 42 P	01.1993 - 02.2002	309	420	13798	3525	3525
EUROSTAR LD 260 E 42 P	01.1993 - 02.2002	309	420	13798	3664	3664
EUROSTAR LD 260 E 43 Y/PS, LD 260 E 43 FP	01.1993 - 02.2002	316	430	10308	4091	
EUROSTAR LD 260 E 43 Y/PS, LD 260 E 43 FP	01.1993 - 02.2002	316	430	10308	3525	3525
EUROSTAR LD 260 E 43 Y/PS, LD 260 E 43 FP	01.1993 - 02.2002	316	430	10308	3664	3664
EUROSTAR LD 260 E 47	01.1993 - 02.2002	345	469	13798	3525	3525
EUROSTAR LD 260 E 47	01.1993 - 02.2002	345	469	13798	3664	3664
EUROSTAR LD 260 E 48 Y/PS	01.1993 - 02.2002	353	480	12880	3664	
EUROSTAR LD 260 E 48 Y/PS	01.1993 - 02.2002	353	480	12880	3525	3525
EUROSTAR LD 260 E 52	01.1993 - 02.2002	378	514	17173	3525	3525
EUROSTAR LD 260 E 52	01.1993 - 02.2002	378	514	17173	3664	3664
EUROSTAR LD 400 E 38 TX/P, LD 440 E 38 TX/P	01.1993 - 02.2002	276	375	9498	3664	
EUROSTAR LD 400 E 38 TX/P, LD 440 E 38 TX/P	01.1993 - 02.2002	276	375	9498	3525	3525
EUROSTAR LD 400 E 42 TX/P, LD 440 E 42 TX/P	01.1993 - 02.2002	309	420	13798	3664	
EUROSTAR LD 400 E 42 TX/P, LD 440 E 42 TX/P	01.1993 - 02.2002	309	420	13798	3525	3525
EUROSTAR LD 440 E 38 T	01.1993 - 02.2002	276	375	9498	3525	3525
EUROSTAR LD 440 E 38 T	01.1993 - 02.2002	276	375	9498	3664	3664
EUROSTAR LD 440 E 38 TZ	01.1993 - 02.2002	276	375	9498	3525	3525
EUROSTAR LD 440 E 38 TZ	01.1993 - 02.2002	276	375	9498	3664	3664
EUROSTAR LD 440 E 39 T, LD 440 E 39 T/P	11.1999 - 02.2002	287	390	10308	3525	3525
EUROSTAR LD 440 E 39 T, LD 440 E 39 T/P	11.1999 - 02.2002	287	390	10308	3664	3664
EUROSTAR LD 440 E 39 TX, LD 440 E 39 TX/P	11.1999 - 10.2002	287	390	10308	3664	
EUROSTAR LD 440 E 39 TX, LD 440 E 39 TX/P	11.1999 - 10.2002	287	390	10308	3525	3525
EUROSTAR LD 440 E 40 T	09.2000 - 02.2002	294	400	10308	3525	3525
EUROSTAR LD 440 E 40 T	09.2000 - 02.2002	294	400	10308	3664	3664
EUROSTAR LD 440 E 40 TX/P	01.2001 - 02.2002	294	400	10308	3525	3525
EUROSTAR LD 440 E 40 TX/P	01.2001 - 02.2002	294	400	10308	3664	3664
EUROSTAR LD 440 E 42 T/P	01.1993 - 02.2002	309	420	13798	3525	3525
EUROSTAR LD 440 E 42 T/P	01.1993 - 02.2002	309	420	13798	3664	3664
EUROSTAR LD 440 E 42 TZ	01.1993 - 02.2002	309	420	13798	3525	3525
EUROSTAR LD 440 E 42 TZ	01.1993 - 02.2002	309	420	13798	3664	3664
EUROSTAR LD 440 E 43 T/P	01.1993 - 02.2002	316	430	10308	3525	3525
EUROSTAR LD 440 E 43 T/P	01.1993 - 02.2002	316	430	10308	3664	3664
EUROSTAR LD 440 E 43 TX/P	11.1999 - 02.2002	316	430	10308	3525	3525
EUROSTAR LD 440 E 43 TX/P	11.1999 - 02.2002	316	430	10308	3664	3664
EUROSTAR LD 440 E 47 T/P	01.1993 - 02.2002	345	469	13798	3525	3525
EUROSTAR LD 440 E 47 T/P	01.1993 - 02.2002	345	469	13798	3664	3664
EUROSTAR LD 440 E 47 TZ	01.1993 - 02.2002	345	469	13798	3525	3525
EUROSTAR LD 440 E 47 TZ	01.1993 - 02.2002	345	469	13798	3664	3664
EUROSTAR LD 440 E 48 T/P	01.2001 - 02.2002	353	480	12880	3525	3525
EUROSTAR LD 440 E 48 T/P	01.2001 - 02.2002	353	480	12880	3664	3664
EUROSTAR LD 440 E 52 T	01.1993 - 02.2002	378	514	17173	3525	3525
EUROSTAR LD 440 E 52 T	01.1993 - 02.2002	378	514	17173	3664	3664
EUROSTAR LD 440 E 52 TZ	01.1993 - 02.2002	378	514	17173	3525	3525
EUROSTAR LD 440 E 52 TZ	01.1993 - 02.2002	378	514	17173	3664	3664
EUROTECH MH 190 E 24 K	09.1998 -	180	245	7790	4091	
EUROTECH MH 190 E 24 K	09.1998 -	180	245	7790	3525	3525
EUROTECH MH 190 E 24 K	09.1998 -	180	245	7790	3664	3664
EUROTECH MH 190 E 24, 190 E 24 /P	09.1998 -	180	245	7790	4091	
EUROTECH MH 190 E 24, 190 E 24 /P	09.1998 -	180	245	7790	3525	3525
EUROTECH MH 190 E 24, 190 E 24 /P	09.1998 -	180	245	7790	3664	3664
EUROTECH MH 190 E 27 K	09.1998 -	200	272	7790	4091	



**MAKE & MODEL****YEAR****KW****PS****CC****IVECO**

EUROTECH MH 190 E 27 K	09.1998 -	200	272	7790	3525	3525
EUROTECH MH 190 E 27 K	09.1998 -	200	272	7790	3664	3664
EUROTECH MH 190 E 27, 190 E 27 /P	09.1998 -	200	272	7790	4091	
EUROTECH MH 190 E 27, 190 E 27 /P	09.1998 -	200	272	7790	3525	3525
EUROTECH MH 190 E 27, 190 E 27 /P	09.1998 -	200	272	7790	3664	3664
EUROTECH MH 190 E 30, 190 E 30 /P	01.2000 -	218	296	7790	3664	
EUROTECH MH 190 E 30, 190 E 30 /P	01.2000 -	218	296	7790	4091	
EUROTECH MH 190 E 31 K	09.1998 -	228	310	7790	4091	
EUROTECH MH 190 E 31 K	09.1998 -	228	310	7790	3525	3525
EUROTECH MH 190 E 31 K	09.1998 -	228	310	7790	3664	3664
EUROTECH MH 190 E 31, 190 E 31 /P	09.1998 -	228	310	7790	4091	
EUROTECH MH 190 E 31, 190 E 31 /P	09.1998 -	228	310	7790	3525	3525
EUROTECH MH 190 E 31, 190 E 31 /P	09.1998 -	228	310	7790	3664	3664
EUROTECH MH 190 E 35, 190 E 35 /P, 190 E 35 /FP	09.1998 -	259	352	7790	4091	
EUROTECH MH 190 E 35, 190 E 35 /P, 190 E 35 /FP	09.1998 -	259	352	7790	3525	3525
EUROTECH MH 190 E 35, 190 E 35 /P, 190 E 35 /FP	09.1998 -	259	352	7790	3664	3664
EUROTECH MH 260 E 24 Y/P, 260 E 24 Y/PS, 260 E 24 Y/PT	11.1999 -	180	245	7790	4091	
EUROTECH MH 260 E 24 Y/P, 260 E 24 Y/PS, 260 E 24 Y/PT	11.1999 -	180	245	7790	3525	3525
EUROTECH MH 260 E 24 Y/P, 260 E 24 Y/PS, 260 E 24 Y/PT	11.1999 -	180	245	7790	3664	3664
EUROTECH MH 260 E 27 Y/P, 260 E 27 Y/PS, 260 E 27 RY/PS, 260 E 27 RY/PT	11.1999 -	200	272	7790	4091	
EUROTECH MH 260 E 27 Y/P, 260 E 27 Y/PS, 260 E 27 RY/PS, 260 E 27 RY/PT	11.1999 -	200	272	7790	3525	3525
EUROTECH MH 260 E 27 Y/P, 260 E 27 Y/PS, 260 E 27 RY/PS, 260 E 27 RY/PT	11.1999 -	200	272	7790	3664	3664
EUROTECH MH 260 E 30 Y/PS	01.2000 -	218	296	7790	3664	
EUROTECH MH 260 E 30 Y/PS	01.2000 -	218	296	7790	4091	
EUROTECH MH 260 E 30 Y/PS	01.2000 -	218	296	7790	3525	3525
EUROTECH MH 260 E 31 Y/P, 260 E 31 Y/PS, 260 E 31 Y/PT	11.1999 -	228	310	7790	4091	
EUROTECH MH 260 E 31 Y/P, 260 E 31 Y/PS, 260 E 31 Y/PT	11.1999 -	228	310	7790	3525	3525
EUROTECH MH 260 E 31 Y/P, 260 E 31 Y/PS, 260 E 31 Y/PT	11.1999 -	228	310	7790	3664	3664
EUROTECH MH 260 E 35 Y/P, 260 E 35 Y/PT, 260 E 35 Y/TN	11.1999 -	259	352	7790	4091	
EUROTECH MH 260 E 35 Y/P, 260 E 35 Y/PT, 260 E 35 Y/TN	11.1999 -	259	352	7790	3525	3525
EUROTECH MH 260 E 35 Y/P, 260 E 35 Y/PT, 260 E 35 Y/TN	11.1999 -	259	352	7790	3664	3664
EUROTECH MH 400 E 31 TP, 440 E 31 T, 440 E 31 TP	09.1998 -	228	310	7790	4091	
EUROTECH MH 400 E 31 TP, 440 E 31 T, 440 E 31 TP	09.1998 -	228	310	7790	3525	3525
EUROTECH MH 400 E 31 TP, 440 E 31 T, 440 E 31 TP	09.1998 -	228	310	7790	3664	3664
EUROTECH MH 400 E 35 TP, 440 E 35 T, 440 E 35 T/P, 440 E 35 T/FP	09.1998 -	259	352	7790	4091	
EUROTECH MH 400 E 35 TP, 440 E 35 T, 440 E 35 T/P, 440 E 35 T/FP	09.1998 -	259	352	7790	3525	3525
EUROTECH MH 400 E 35 TP, 440 E 35 T, 440 E 35 T/P, 440 E 35 T/FP	09.1998 -	259	352	7790	3664	3664
EUROTECH MH 440 E 35 TX/P	02.2000 -	259	352	7790	3664	
EUROTECH MH 440 E 35 TX/P	02.2000 -	259	352	7790	3525	3525
EUROTECH MP 180 E 34	01.1992 - 12.1993	254	345	9498	3664	
EUROTECH MP 180 E 34	01.1992 - 12.1993	254	345	9498	3525	3525
EUROTECH MP 180 E 38	01.1992 - 12.1993	276	375	9498	3664	
EUROTECH MP 180 E 38	01.1992 - 12.1993	276	375	9498	3525	3525
EUROTECH MP 180 E 42	01.1992 - 12.1993	309	420	13798	3664	
EUROTECH MP 180 E 42	01.1992 - 12.1993	309	420	13798	3525	3525
EUROTECH MP 190 E 34	01.1993 -	254	345	9498	3664	
EUROTECH MP 190 E 34	01.1993 -	254	345	9498	4091	
EUROTECH MP 190 E 34	01.1993 -	254	345	9498	3525	3525
EUROTECH MP 190 E 38	01.1993 -	276	375	9498	3664	
EUROTECH MP 190 E 38	01.1993 -	276	375	9498	4091	
EUROTECH MP 190 E 38	01.1993 -	276	375	9498	3525	3525
EUROTECH MP 190 E 39, 190 E 39 /P, 190 E39 /FP	11.1999 -	287	390	10308	3664	
EUROTECH MP 190 E 39, 190 E 39 /P, 190 E39 /FP	11.1999 -	287	390	10308	4091	
EUROTECH MP 190 E 39, 190 E 39 /P, 190 E39 /FP	11.1999 -	287	390	10308	3525	3525
EUROTECH MP 190 E 40 /P	01.2001 -	294	400	10308	3664	
EUROTECH MP 190 E 40 /P	01.2001 -	294	400	10308	4091	
EUROTECH MP 190 E 40 /P	01.2001 -	294	400	10308	3525	3525
EUROTECH MP 190 E 42, 190 E 42 /P	01.1993 -	309	420	13798	3664	
EUROTECH MP 190 E 42, 190 E 42 /P	01.1993 -	309	420	13798	4091	
EUROTECH MP 190 E 42, 190 E 42 /P	01.1993 -	309	420	13798	3525	3525
EUROTECH MP 190 E 43, 190 E 43 /P	01.2001 -	316	430	10308	3664	
EUROTECH MP 190 E 43, 190 E 43 /P	01.2001 -	316	430	10308	4091	
EUROTECH MP 190 E 43, 190 E 43 /P	01.2001 -	316	430	10308	3525	3525
EUROTECH MP 240 E 30 PS	01.1997 -	221	301	9498	3664	
EUROTECH MP 240 E 30 PS	01.1997 -	221	301	9498	4091	
EUROTECH MP 240 E 30 PS	01.1997 -	221	301	9498	3525	3525
EUROTECH MP 240 E 34	09.1995 - 12.1996	254	345	9498	3664	

**MAKE & MODEL****YEAR****KW****PS****CC****IVECO**

EUROTECH MP 240 E 34	09.1995 - 12.1996	254	345	9498	3525	3525
EUROTECH MP 240 E 38	01.1992 -	276	375	9498	3664	
EUROTECH MP 240 E 38	01.1992 -	276	375	9498	4091	
EUROTECH MP 240 E 38	01.1992 -	276	375	9498	3525	3525
EUROTECH MP 240 E 42	01.1992 -	309	420	13798	3664	
EUROTECH MP 240 E 42	01.1992 -	309	420	13798	4091	
EUROTECH MP 240 E 42	01.1992 -	309	420	13798	3525	3525
EUROTECH MP 260 E 38 P	01.1994 -	276	375	9498	3664	
EUROTECH MP 260 E 38 P	01.1994 -	276	375	9498	4091	
EUROTECH MP 260 E 38 P	01.1994 -	276	375	9498	3525	3525
EUROTECH MP 260 E 39 Y, 260 E 39 Y/P, 260 E 39 Y/FP, 260 E 39 Y/FS	11.1999 -	287	390	10308	3664	
EUROTECH MP 260 E 39 Y, 260 E 39 Y/P, 260 E 39 Y/FP, 260 E 39 Y/FS	11.1999 -	287	390	10308	4091	
EUROTECH MP 260 E 39 Y, 260 E 39 Y/P, 260 E 39 Y/FP, 260 E 39 Y/FS	11.1999 -	287	390	10308	3525	3525
EUROTECH MP 260 E 40	01.2001 -	294	400	10308	3664	
EUROTECH MP 260 E 40	01.2001 -	294	400	10308	4091	
EUROTECH MP 260 E 40	01.2001 -	294	400	10308	3525	3525
EUROTECH MP 260 E 42	01.1994 -	309	420	13798	3664	
EUROTECH MP 260 E 42	01.1994 -	309	420	13798	4091	
EUROTECH MP 260 E 42	01.1994 -	309	420	13798	3525	3525
EUROTECH MP 260 E 43 Y, 260 E 43 Y/P	11.1999 -	316	430	10308	3664	
EUROTECH MP 260 E 43 Y, 260 E 43 Y/P	11.1999 -	316	430	10308	4091	
EUROTECH MP 260 E 43 Y, 260 E 43 Y/P	11.1999 -	316	430	10308	3525	3525
EUROTECH MP 400 E 34 T, 440 E 34 T	01.1992 -	254	345	9498	3664	
EUROTECH MP 400 E 34 T, 440 E 34 T	01.1992 -	254	345	9498	4091	
EUROTECH MP 400 E 34 T, 440 E 34 T	01.1992 -	254	345	9498	3525	3525
EUROTECH MP 400 E 38 T, 440 E 38 T, 440 E 38 T /P	01.1992 -	276	375	9498	3664	
EUROTECH MP 400 E 38 T, 440 E 38 T, 440 E 38 T /P	01.1992 -	276	375	9498	4091	
EUROTECH MP 400 E 38 T, 440 E 38 T, 440 E 38 T /P	01.1992 -	276	375	9498	3525	3525
EUROTECH MP 400 E 38 TXP	11.1993 - 12.1996	276	375	9498	3664	
EUROTECH MP 400 E 38 TXP	11.1993 - 12.1996	276	375	9498	3525	3525
EUROTECH MP 400 E 42 T, 440 E 42 T, 440 E 42 T/P	01.1992 -	309	420	13798	3664	
EUROTECH MP 400 E 42 T, 440 E 42 T, 440 E 42 T/P	01.1992 -	309	420	13798	4091	
EUROTECH MP 400 E 42 T, 440 E 42 T, 440 E 42 T/P	01.1992 -	309	420	13798	3525	3525
EUROTECH MP 440 E 38 TZ	01.1993 -	276	375	9498	4091	
EUROTECH MP 440 E 38 TZ	01.1993 -	276	375	9498	3525	3525
EUROTECH MP 440 E 38 TZ	01.1993 -	276	375	9498	3664	3664
EUROTECH MP 440 E 39 T, 440 E 39 T/P, 440 E 39 T/FP-CT	11.1999 -	287	390	10308	3664	
EUROTECH MP 440 E 39 T, 440 E 39 T/P, 440 E 39 T/FP-CT	11.1999 -	287	390	10308	4091	
EUROTECH MP 440 E 39 T, 440 E 39 T/P, 440 E 39 T/FP-CT	11.1999 -	287	390	10308	3525	3525
EUROTECH MP 440 E 39 TX/P	11.1999 -	287	390	10308	3664	
EUROTECH MP 440 E 39 TX/P	11.1999 -	287	390	10308	4091	
EUROTECH MP 440 E 39 TX/P	11.1999 -	287	390	10308	3525	3525
EUROTECH MP 440 E 40 T/P	09.2000 -	294	400	10308	3664	
EUROTECH MP 440 E 40 T/P	09.2000 -	294	400	10308	4091	
EUROTECH MP 440 E 40 T/P	09.2000 -	294	400	10308	3525	3525
EUROTECH MP 440 E 40 TX/P	01.2001 -	294	400	10308	3664	
EUROTECH MP 440 E 40 TX/P	01.2001 -	294	400	10308	4091	
EUROTECH MP 440 E 40 TX/P	01.2001 -	294	400	10308	3525	3525
EUROTECH MP 440 E 42 TZ	01.1993 -	309	420	13798	4091	
EUROTECH MP 440 E 42 TZ	01.1993 -	309	420	13798	3525	3525
EUROTECH MP 440 E 42 TZ	01.1993 -	309	420	13798	3664	3664
EUROTECH MP 440 E 43 T, 440 E 43 T/P	11.1999 -	316	430	10308	3664	
EUROTECH MP 440 E 43 T, 440 E 43 T/P	11.1999 -	316	430	10308	4091	
EUROTECH MP 440 E 43 T, 440 E 43 T/P	11.1999 -	316	430	10308	3525	3525
EUROTECH MP 440 E 43 TX/P	11.1999 -	316	430	10308	3664	
EUROTECH MP 440 E 43 TX/P	11.1999 -	316	430	10308	4091	
EUROTECH MP 4500	01.2002 -	321	437	14015	4091	
EUROTECH MP 4500	01.2002 -	321	437	14015	3664	3664
EUROTECH MP 4500	01.2002 -	351	477	14015	4091	
EUROTECH MP 4500	01.2002 -	351	477	14015	3664	3664
EUROTECH MP 4500	01.2002 -	373	507	14015	4091	
EUROTECH MP 4500	01.2002 -	373	507	14015	3664	3664
EUROTECH MP 4500	01.2002 -	410	558	14951	4091	
EUROTECH MP 4500	01.2002 -	410	558	14951	3664	3664
EUROTECH MT 180 E 24	01.1992 - 12.1996	176	239	7685	3525	3525
EUROTECH MT 180 E 24	01.1992 - 12.1996	176	239	7685	3664	3664
EUROTECH MT 180 E 24 K	01.1993 - 12.1996	176	239	7685	3525	3525

**MAKE & MODEL****YEAR****KW****PS****CC****IVECO**

EUROTECH MT 180 E 24 K	01.1993 - 12.1996	176	239	7685	3664	3664
EUROTECH MT 180 E 27	01.1992 - 12.1996	196	267	7685	3525	3525
EUROTECH MT 180 E 27	01.1992 - 12.1996	196	267	7685	3664	3664
EUROTECH MT 180 E 27 K	01.1992 - 12.1996	196	267	7685	3525	3525
EUROTECH MT 180 E 27 K	01.1992 - 12.1996	196	267	7685	3664	3664
EUROTECH MT 180 E 30 R	01.1992 - 12.1996	221	301	9498	3525	3525
EUROTECH MT 180 E 30 R	01.1992 - 12.1996	221	301	9498	3664	3664
EUROTECH MT 180 E 34 R	01.1992 - 12.1993	254	345	9498	3525	3525
EUROTECH MT 180 E 34 R	01.1992 - 12.1993	254	345	9498	3664	3664
EUROTECH MT 190 E 24	01.1997 - 08.1998	176	239	7685	3525	3525
EUROTECH MT 190 E 24	01.1997 - 08.1998	176	239	7685	3664	3664
EUROTECH MT 190 E 24 K	01.1997 - 08.1998	176	239	7685	3525	3525
EUROTECH MT 190 E 24 K	01.1997 - 08.1998	176	239	7685	3664	3664
EUROTECH MT 190 E 27	01.1997 - 08.1998	196	267	7685	3525	3525
EUROTECH MT 190 E 27	01.1997 - 08.1998	196	267	7685	3664	3664
EUROTECH MT 190 E 27 K	01.1997 - 08.1998	196	267	7685	3525	3525
EUROTECH MT 190 E 27 K	01.1997 - 08.1998	196	267	7685	3664	3664
EUROTECH MT 190 E 30	01.1997 - 08.1998	221	301	9498	3525	3525
EUROTECH MT 190 E 30	01.1997 - 08.1998	221	301	9498	3664	3664
EUROTECH MT 190 E 30 K	01.1997 - 08.1998	221	301	9498	3525	3525
EUROTECH MT 190 E 30 K	01.1997 - 08.1998	221	301	9498	3664	3664
EUROTECH MT 400 E 30 T	01.1992 - 08.1998	221	301	9498	3525	3525
EUROTECH MT 400 E 30 T	01.1992 - 08.1998	221	301	9498	3664	3664
EUROTECH MT 400 E 34 T	01.1992 - 08.1998	254	345	9498	3525	3525
EUROTECH MT 400 E 34 T	01.1992 - 08.1998	254	345	9498	3664	3664
EUROTRAKKER MP 180 E 24 W Cursor	09.1999 - 11.2004	180	245	7790	4091	
EUROTRAKKER MP 180 E 24 W Cursor	09.1999 - 11.2004	180	245	7790	3664	3664
EUROTRAKKER MP 180 E 25 W	05.1999 - 11.2004	185	251	9498	4091	
EUROTRAKKER MP 180 E 25 W	05.1999 - 11.2004	185	251	9498	3664	3664
EUROTRAKKER MP 190 E 24 H Cursor	09.1999 - 11.2004	180	245	7790	4091	
EUROTRAKKER MP 190 E 24 H Cursor	09.1999 - 11.2004	180	245	7790	3664	3664
EUROTRAKKER MP 190 E 30 H	01.1993 - 11.2004	221	301	9498	4091	
EUROTRAKKER MP 190 E 30 H	01.1993 - 11.2004	221	301	9498	3664	3664
EUROTRAKKER MP 190 E 30 W	01.1993 - 11.2004	221	301	9498	4091	
EUROTRAKKER MP 190 E 30 W	01.1993 - 11.2004	221	301	9498	3664	3664
EUROTRAKKER MP 190 E 30 W	11.1999 - 11.2004	221	301	9498	4091	
EUROTRAKKER MP 190 E 30 W	11.1999 - 11.2004	221	301	9498	3664	3664
EUROTRAKKER MP 190 E 31 H Cursor	09.1999 - 11.2004	228	310	7790	4091	
EUROTRAKKER MP 190 E 31 H Cursor	09.1999 - 11.2004	228	310	7790	3664	3664
EUROTRAKKER MP 190 E 31 W Cursor	09.1999 - 11.2004	228	310	7790	4091	
EUROTRAKKER MP 190 E 31 W Cursor	09.1999 - 11.2004	228	310	7790	3664	3664
EUROTRAKKER MP 190 E 34 H	01.1993 - 11.2004	254	345	9498	4091	
EUROTRAKKER MP 190 E 34 H	01.1993 - 11.2004	254	345	9498	3664	3664
EUROTRAKKER MP 190 E 34 W	01.1993 - 11.2004	254	345	9498	4091	
EUROTRAKKER MP 190 E 34 W	01.1993 - 11.2004	254	345	9498	3664	3664
EUROTRAKKER MP 190 E 34 W	11.1999 - 11.2004	254	345	9498	4091	
EUROTRAKKER MP 190 E 34 W	11.1999 - 11.2004	254	345	9498	3664	3664
EUROTRAKKER MP 190 E 35 H Cursor	09.1999 - 11.2004	259	352	7790	4091	
EUROTRAKKER MP 190 E 35 H Cursor	09.1999 - 11.2004	259	352	7790	3664	3664
EUROTRAKKER MP 190 E 35 W Cursor	09.1999 - 11.2004	259	352	7790	4091	
EUROTRAKKER MP 190 E 35 W Cursor	09.1999 - 11.2004	259	352	7790	3664	3664
EUROTRAKKER MP 190 E 37 H	01.1993 - 11.2004	272	370	13798	4091	
EUROTRAKKER MP 190 E 37 H	01.1993 - 11.2004	272	370	13798	3664	3664
EUROTRAKKER MP 190 E 37 H	01.2000 - 11.2004	272	370	13798	4091	
EUROTRAKKER MP 190 E 37 H	01.2000 - 11.2004	272	370	13798	3664	3664
EUROTRAKKER MP 190 E 37 W	01.1993 - 11.2004	272	370	13798	4091	
EUROTRAKKER MP 190 E 37 W	01.1993 - 11.2004	272	370	13798	3664	3664
EUROTRAKKER MP 190 E 37 W	11.1999 - 11.2004	272	370	13798	4091	
EUROTRAKKER MP 190 E 37 W	11.1999 - 11.2004	272	370	13798	3664	3664
EUROTRAKKER MP 190 E 37 W	11.1999 - 11.2004	272	370	13798	4091	
EUROTRAKKER MP 190 E 37 W	11.1999 - 11.2004	272	370	13798	3664	3664
EUROTRAKKER MP 190 E 38 W Cursor	01.2001 - 11.2004	280	380	12880	4091	
EUROTRAKKER MP 190 E 38 W Cursor	01.2001 - 11.2004	280	380	12880	3664	3664
EUROTRAKKER MP 190 E 42 H	01.1993 - 11.2004	309	420	13798	4091	
EUROTRAKKER MP 190 E 42 H	01.1993 - 11.2004	309	420	13798	3664	3664
EUROTRAKKER MP 190 E 42 H	11.1999 - 11.2004	309	420	13798	4091	
EUROTRAKKER MP 190 E 42 H	11.1999 - 11.2004	309	420	13798	3664	3664
EUROTRAKKER MP 190 E 42 W	01.1993 - 11.2004	309	420	13798	4091	
EUROTRAKKER MP 190 E 42 W	01.1993 - 11.2004	309	420	13798	3664	3664

**MAKE & MODEL****YEAR****KW****PS****CC****IVECO**

EUROTRAKKER MP 190 E 44 W Cursor	09.2000 - 11.2004	324	440	12880	4091	
EUROTRAKKER MP 190 E 44 W Cursor	09.2000 - 11.2004	324	440	12880	3664	3664
EUROTRAKKER MP 190 E 47 W	11.1999 - 11.2004	345	470	13798	4091	
EUROTRAKKER MP 190 E 47 W	11.1999 - 11.2004	345	470	13798	3664	3664
EUROTRAKKER MP 260 E 27 H Cursor	11.1999 - 11.2004	228	310	7790	4091	
EUROTRAKKER MP 260 E 27 H Cursor	11.1999 - 11.2004	228	310	7790	3664	3664
EUROTRAKKER MP 260 E 30 H	01.1993 - 11.2004	221	301	9498	4091	
EUROTRAKKER MP 260 E 30 H	01.1993 - 11.2004	221	301	9498	3664	3664
EUROTRAKKER MP 260 E 30 W	11.1999 - 11.2004	221	301	9498	4091	
EUROTRAKKER MP 260 E 30 W	11.1999 - 11.2004	221	301	9498	3664	3664
EUROTRAKKER MP 260 E 31 H Cursor	09.1999 - 11.2004	228	310	7790	4091	
EUROTRAKKER MP 260 E 31 H Cursor	09.1999 - 11.2004	228	310	7790	3664	3664
EUROTRAKKER MP 260 E 31 HB Cursor	11.1999 - 11.2004	228	310	7790	4091	
EUROTRAKKER MP 260 E 31 HB Cursor	11.1999 - 11.2004	228	310	7790	3664	3664
EUROTRAKKER MP 260 E 34 H	01.1993 - 11.2004	254	345	9498	4091	
EUROTRAKKER MP 260 E 34 H	01.1993 - 11.2004	254	345	9498	3664	3664
EUROTRAKKER MP 260 E 34 H	11.1999 - 11.2004	254	345	9498	4091	
EUROTRAKKER MP 260 E 34 H	11.1999 - 11.2004	254	345	9498	3664	3664
EUROTRAKKER MP 260 E 34 W	01.1993 - 11.2004	254	345	9498	4091	
EUROTRAKKER MP 260 E 34 W	01.1993 - 11.2004	254	345	9498	3664	3664
EUROTRAKKER MP 260 E 34 W	11.1999 - 11.2004	254	345	9498	4091	
EUROTRAKKER MP 260 E 34 W	11.1999 - 11.2004	254	345	9498	3664	3664
EUROTRAKKER MP 260 E 35 H Cursor	01.2000 - 11.2004	259	352	7790	4091	
EUROTRAKKER MP 260 E 35 H Cursor	01.2000 - 11.2004	259	352	7790	3664	3664
EUROTRAKKER MP 260 E 35 W Cursor	09.1999 - 11.2004	259	352	7790	4091	
EUROTRAKKER MP 260 E 35 W Cursor	09.1999 - 11.2004	259	352	7790	3664	3664
EUROTRAKKER MP 260 E 37 H	01.1993 - 11.2004	272	370	13798	4091	
EUROTRAKKER MP 260 E 37 H	01.1993 - 11.2004	272	370	13798	3664	3664
EUROTRAKKER MP 260 E 37 W	01.1993 - 11.2004	272	370	13798	4091	
EUROTRAKKER MP 260 E 37 W	01.1993 - 11.2004	272	370	13798	3664	3664
EUROTRAKKER MP 260 E 37 W	11.1999 - 11.2004	272	370	13798	4091	
EUROTRAKKER MP 260 E 37 W	11.1999 - 11.2004	272	370	13798	3664	3664
EUROTRAKKER MP 260 E 38 H Cursor	01.2001 - 11.2004	280	380	12880	4091	
EUROTRAKKER MP 260 E 38 H Cursor	01.2001 - 11.2004	280	380	12880	3664	3664
EUROTRAKKER MP 260 E 38 W Cursor	01.2001 - 11.2004	280	380	12880	4091	
EUROTRAKKER MP 260 E 38 W Cursor	01.2001 - 11.2004	280	380	12880	3664	3664
EUROTRAKKER MP 260 E 42 H	01.1993 - 11.2004	309	420	13798	4091	
EUROTRAKKER MP 260 E 42 H	01.1993 - 11.2004	309	420	13798	3664	3664
EUROTRAKKER MP 260 E 42 H	11.1999 - 11.2004	309	420	13798	4091	
EUROTRAKKER MP 260 E 42 H	11.1999 - 11.2004	309	420	13798	3664	3664
EUROTRAKKER MP 260 E 42 W	01.1993 - 11.2004	309	420	13798	4091	
EUROTRAKKER MP 260 E 42 W	01.1993 - 11.2004	309	420	13798	3664	3664
EUROTRAKKER MP 260 E 44 H Cursor	01.2000 - 11.2004	324	440	12880	4091	
EUROTRAKKER MP 260 E 44 H Cursor	01.2000 - 11.2004	324	440	12880	3664	3664
EUROTRAKKER MP 260 E 44 H Cursor	01.2001 - 11.2004	324	440	12880	4091	
EUROTRAKKER MP 260 E 44 H Cursor	01.2001 - 11.2004	324	440	12880	3664	3664
EUROTRAKKER MP 260 E 44 W Cursor	01.2001 - 11.2004	324	440	12880	4091	
EUROTRAKKER MP 260 E 44 W Cursor	01.2001 - 11.2004	324	440	12880	3664	3664
EUROTRAKKER MP 260 E 47 H	11.1999 - 11.2004	345	469	13798	4091	
EUROTRAKKER MP 260 E 47 H	11.1999 - 11.2004	345	469	13798	3664	3664
EUROTRAKKER MP 260 E 47 W	11.1999 - 11.2004	345	469	13798	4091	
EUROTRAKKER MP 260 E 47 W	11.1999 - 11.2004	345	469	13798	3664	3664
EUROTRAKKER MP 340 E 34 H	01.1993 - 11.2004	254	345	9498	4091	
EUROTRAKKER MP 340 E 34 H	01.1993 - 11.2004	254	345	9498	3664	3664
EUROTRAKKER MP 340 E 34 H	11.1999 - 11.2004	254	345	9498	4091	
EUROTRAKKER MP 340 E 34 H	11.1999 - 11.2004	254	345	9498	3664	3664
EUROTRAKKER MP 340 E 35 H Cursor	09.1999 - 11.2004	259	352	7790	4091	
EUROTRAKKER MP 340 E 35 H Cursor	09.1999 - 11.2004	259	352	7790	3664	3664
EUROTRAKKER MP 340 E 35 HB Cursor	01.2001 - 11.2004	259	352	7790	4091	
EUROTRAKKER MP 340 E 35 HB Cursor	01.2001 - 11.2004	259	352	7790	3664	3664
EUROTRAKKER MP 340 E 37 H	01.1993 - 11.2004	272	370	13798	4091	
EUROTRAKKER MP 340 E 37 H	01.1993 - 11.2004	272	370	13798	3664	3664
EUROTRAKKER MP 340 E 37 H	11.1999 - 11.2004	272	370	13798	4091	
EUROTRAKKER MP 340 E 37 H	11.1999 - 11.2004	272	370	13798	3664	3664
EUROTRAKKER MP 340 E 38 H Cursor	01.2001 - 11.2004	280	380	12880	4091	
EUROTRAKKER MP 340 E 38 H Cursor	01.2001 - 11.2004	280	380	12880	3664	3664
EUROTRAKKER MP 340 E 38 HB Cursor	01.2001 - 11.2004	280	380	12880	4091	



**MAKE & MODEL****YEAR****KW****PS****CC****IVECO**

EUROTRAKKER MP 340 E 38 HB Cursor	01.2001 - 11.2004	280	380	12880	3664	3664
EUROTRAKKER MP 340 E 42 H	01.1993 - 11.2004	309	420	13798	4091	
EUROTRAKKER MP 340 E 42 H	01.1993 - 11.2004	309	420	13798	3664	3664
EUROTRAKKER MP 340 E 42 H	11.1999 - 11.2004	309	420	13798	4091	
EUROTRAKKER MP 340 E 42 H	11.1999 - 11.2004	309	420	13798	3664	3664
EUROTRAKKER MP 340 E 44 H Cursor	01.2001 - 11.2004	324	440	12880	4091	
EUROTRAKKER MP 340 E 44 H Cursor	01.2001 - 11.2004	324	440	12880	3664	3664
EUROTRAKKER MP 340 E 44 HB Cursor	01.2001 - 11.2004	324	440	12880	4091	
EUROTRAKKER MP 340 E 44 HB Cursor	01.2001 - 11.2004	324	440	12880	3664	3664
EUROTRAKKER MP 380 E 34 H	01.1993 - 11.2004	254	345	9498	4091	
EUROTRAKKER MP 380 E 34 H	01.1993 - 11.2004	254	345	9498	3664	3664
EUROTRAKKER MP 380 E 34 H	11.1999 - 11.2004	254	345	9498	4091	
EUROTRAKKER MP 380 E 34 H	11.1999 - 11.2004	254	345	9498	3664	3664
EUROTRAKKER MP 380 E 34 W	11.1999 - 11.2004	254	345	9498	4091	
EUROTRAKKER MP 380 E 34 W	11.1999 - 11.2004	254	345	9498	3664	3664
EUROTRAKKER MP 380 E 35 H Cursor	01.2000 - 11.2004	259	352	7790	4091	
EUROTRAKKER MP 380 E 35 H Cursor	01.2000 - 11.2004	259	352	7790	3664	3664
EUROTRAKKER MP 380 E 35 W Cursor	01.2000 - 11.2004	259	352	7790	4091	
EUROTRAKKER MP 380 E 35 W Cursor	01.2000 - 11.2004	259	352	7790	3664	3664
EUROTRAKKER MP 380 E 37 H	01.1993 - 11.2004	272	370	13798	4091	
EUROTRAKKER MP 380 E 37 H	01.1993 - 11.2004	272	370	13798	3664	3664
EUROTRAKKER MP 380 E 37 H	01.1998 - 11.2004	272	370	13798	4091	
EUROTRAKKER MP 380 E 37 H	01.1998 - 11.2004	272	370	13798	3664	3664
EUROTRAKKER MP 380 E 37 W	01.1993 - 11.2004	272	370	13798	4091	
EUROTRAKKER MP 380 E 37 W	01.1993 - 11.2004	272	370	13798	3664	3664
EUROTRAKKER MP 380 E 37 W	11.1999 - 11.2004	272	370	13798	4091	
EUROTRAKKER MP 380 E 37 W	11.1999 - 11.2004	272	370	13798	3664	3664
EUROTRAKKER MP 380 E 38 H Cursor	01.2001 - 11.2004	280	380	12880	4091	
EUROTRAKKER MP 380 E 38 H Cursor	01.2001 - 11.2004	280	380	12880	3664	3664
EUROTRAKKER MP 380 E 38 HB Cursor	01.2001 - 11.2004	280	380	12880	4091	
EUROTRAKKER MP 380 E 38 HB Cursor	01.2001 - 11.2004	280	380	12880	3664	3664
EUROTRAKKER MP 380 E 38 W Cursor	01.2001 - 11.2004	280	380	12880	4091	
EUROTRAKKER MP 380 E 38 W Cursor	01.2001 - 11.2004	280	380	12880	3664	3664
EUROTRAKKER MP 380 E 42 H	01.1993 - 11.2004	309	420	13798	4091	
EUROTRAKKER MP 380 E 42 H	01.1993 - 11.2004	309	420	13798	3664	3664
EUROTRAKKER MP 380 E 42 W	01.1993 - 11.2004	309	420	13798	4091	
EUROTRAKKER MP 380 E 42 W	01.1993 - 11.2004	309	420	13798	3664	3664
EUROTRAKKER MP 380 E 42 W	11.1999 - 11.2004	309	420	13798	4091	
EUROTRAKKER MP 380 E 42 W	11.1999 - 11.2004	309	420	13798	3664	3664
EUROTRAKKER MP 380 E 44 H Cursor	01.2001 - 11.2004	324	440	12880	4091	
EUROTRAKKER MP 380 E 44 H Cursor	01.2001 - 11.2004	324	440	12880	3664	3664
EUROTRAKKER MP 380 E 44 HB Cursor	01.2001 - 11.2004	324	440	12880	4091	
EUROTRAKKER MP 380 E 44 HB Cursor	01.2001 - 11.2004	324	440	12880	3664	3664
EUROTRAKKER MP 380 E 44 W Cursor	01.2001 - 11.2004	324	440	12880	4091	
EUROTRAKKER MP 380 E 44 W Cursor	01.2001 - 11.2004	324	440	12880	3664	3664
EUROTRAKKER MP 380 E 47 H	11.1999 - 11.2004	345	470	13798	4091	
EUROTRAKKER MP 380 E 47 H	11.1999 - 11.2004	345	470	13798	3664	3664
EUROTRAKKER MP 380 E 47 W	11.1999 - 11.2004	345	470	13798	4091	
EUROTRAKKER MP 380 E 47 W	11.1999 - 11.2004	345	470	13798	3664	3664
EUROTRAKKER MP 400 E 34 HT	01.1993 - 11.2004	254	345	9498	4091	
EUROTRAKKER MP 400 E 34 HT	01.1993 - 11.2004	254	345	9498	3664	3664
EUROTRAKKER MP 400 E 35 HT Cursor	01.2000 - 11.2004	259	352	7790	4091	
EUROTRAKKER MP 400 E 35 HT Cursor	01.2000 - 11.2004	259	352	7790	3664	3664
EUROTRAKKER MP 400 E 37 HT	01.1993 - 11.2004	272	370	13798	4091	
EUROTRAKKER MP 400 E 37 HT	01.1993 - 11.2004	272	370	13798	3664	3664
EUROTRAKKER MP 400 E 37 WT	01.1993 - 11.2004	272	370	13798	4091	
EUROTRAKKER MP 400 E 37 WT	01.1993 - 11.2004	272	370	13798	3664	3664
EUROTRAKKER MP 400 E 42 HT	01.1993 - 11.2004	309	420	13798	4091	
EUROTRAKKER MP 400 E 42 HT	01.1993 - 11.2004	309	420	13798	3664	3664
EUROTRAKKER MP 400 E 42 WT	01.1993 - 11.2004	309	420	13798	4091	
EUROTRAKKER MP 400 E 42 WT	01.1993 - 11.2004	309	420	13798	3664	3664
EUROTRAKKER MP 410 E 35 H Cursor	01.2000 - 11.2004	259	352	7790	4091	
EUROTRAKKER MP 410 E 35 H Cursor	01.2000 - 11.2004	259	352	7790	3664	3664
EUROTRAKKER MP 410 E 37 H	01.1993 - 11.2004	272	370	13798	4091	
EUROTRAKKER MP 410 E 37 H	01.1993 - 11.2004	272	370	13798	3664	3664
EUROTRAKKER MP 410 E 37 H	11.1999 - 11.2004	272	370	13798	4091	
EUROTRAKKER MP 410 E 37 H	11.1999 - 11.2004	272	370	13798	3664	3664

**MAKE & MODEL****YEAR****KW****PS****CC****IVECO**

EUROTRAKKER MP 410 E 37 W	11.1999 - 11.2004	272	370	13798	4091	
EUROTRAKKER MP 410 E 37 W	11.1999 - 11.2004	272	370	13798	3664	3664
EUROTRAKKER MP 410 E 38 H Cursor	01.2001 - 11.2004	280	380	12880	4091	
EUROTRAKKER MP 410 E 38 H Cursor	01.2001 - 11.2004	280	380	12880	3664	3664
EUROTRAKKER MP 410 E 38 HB Cursor	01.2001 - 11.2004	280	380	12880	4091	
EUROTRAKKER MP 410 E 38 HB Cursor	01.2001 - 11.2004	280	380	12880	3664	3664
EUROTRAKKER MP 410 E 42 H	01.1993 - 11.2004	309	420	13798	4091	
EUROTRAKKER MP 410 E 42 H	01.1993 - 11.2004	309	420	13798	3664	3664
EUROTRAKKER MP 410 E 42 H	11.1999 - 11.2004	309	420	13798	4091	
EUROTRAKKER MP 410 E 42 H	11.1999 - 11.2004	309	420	13798	3664	3664
EUROTRAKKER MP 410 E 42 W	01.1993 - 11.2004	309	420	13798	4091	
EUROTRAKKER MP 410 E 42 W	01.1993 - 11.2004	309	420	13798	3664	3664
EUROTRAKKER MP 410 E 44 H Cursor	01.2001 - 11.2004	324	440	12880	4091	
EUROTRAKKER MP 410 E 44 H Cursor	01.2001 - 11.2004	324	440	12880	3664	3664
EUROTRAKKER MP 410 E 44 HB Cursor	01.2001 - 11.2004	324	440	12880	4091	
EUROTRAKKER MP 410 E 44 HB Cursor	01.2001 - 11.2004	324	440	12880	3664	3664
EUROTRAKKER MP 410 E 47 H	11.1999 - 11.2004	345	470	13798	4091	
EUROTRAKKER MP 410 E 47 H	11.1999 - 11.2004	345	470	13798	3664	3664
EUROTRAKKER MP 410 E 47 W	11.1999 - 11.2004	345	470	13798	4091	
EUROTRAKKER MP 410 E 47 W	11.1999 - 11.2004	345	470	13798	3664	3664
EUROTRAKKER MP 440 E 34 HT	01.1993 - 11.2004	254	345	9498	4091	
EUROTRAKKER MP 440 E 34 HT	01.1993 - 11.2004	254	345	9498	3664	3664
EUROTRAKKER MP 440 E 37 HT	01.1993 - 11.2004	272	370	13798	4091	
EUROTRAKKER MP 440 E 37 HT	01.1993 - 11.2004	272	370	13798	3664	3664
EUROTRAKKER MP 440 E 38 HT Cursor	01.2001 - 11.2004	279	380	12880	4091	
EUROTRAKKER MP 440 E 38 HT Cursor	01.2001 - 11.2004	279	380	12880	3664	3664
EUROTRAKKER MP 440 E 42 HT	01.1993 - 11.2004	309	420	13798	4091	
EUROTRAKKER MP 440 E 42 HT	01.1993 - 11.2004	309	420	13798	3664	3664
EUROTRAKKER MP 440 E 44 HT Cursor	01.2001 - 11.2004	324	440	12880	4091	
EUROTRAKKER MP 440 E 44 HT Cursor	01.2001 - 11.2004	324	440	12880	3664	3664
EUROTRAKKER MP 440 E 47 HT	11.1999 - 11.2004	345	470	13798	4091	
EUROTRAKKER MP 440 E 47 HT	11.1999 - 11.2004	345	470	13798	3664	3664
EUROTRAKKER MP 720 E 37 HT	01.1993 - 11.2004	272	370	13798	4091	
EUROTRAKKER MP 720 E 37 HT	01.1993 - 11.2004	272	370	13798	3664	3664
EUROTRAKKER MP 720 E 37 WT	01.1993 - 11.2004	272	370	13798	4091	
EUROTRAKKER MP 720 E 37 WT	01.1993 - 11.2004	272	370	13798	3664	3664
EUROTRAKKER MP 720 E 38 HT Cursor	01.2001 - 11.2004	279	380	12880	4091	
EUROTRAKKER MP 720 E 38 HT Cursor	01.2001 - 11.2004	279	380	12880	3664	3664
EUROTRAKKER MP 720 E 42 HT	01.1993 - 11.2004	309	420	13798	4091	
EUROTRAKKER MP 720 E 42 HT	01.1993 - 11.2004	309	420	13798	3664	3664
EUROTRAKKER MP 720 E 42 WT	01.1993 - 11.2004	309	420	13798	4091	
EUROTRAKKER MP 720 E 42 WT	01.1993 - 11.2004	309	420	13798	3664	3664
EUROTRAKKER MP 720 E 44 HT Cursor	01.2001 - 11.2004	324	440	12880	4091	
EUROTRAKKER MP 720 E 44 HT Cursor	01.2001 - 11.2004	324	440	12880	3664	3664
EUROTRAKKER MP 720 E 47 HT	01.1993 - 11.2004	345	469	13798	4091	
EUROTRAKKER MP 720 E 47 HT	01.1993 - 11.2004	345	469	13798	3664	3664
EUROTRAKKER MP 720 E 48 HT Cursor	01.2001 - 11.2004	354	480	12880	4091	
EUROTRAKKER MP 720 E 48 HT Cursor	01.2001 - 11.2004	354	480	12880	3664	3664
P/PA 330-30 H	06.1984 - 12.1990	224	305	13798	4359	4359
P/PA -330-30H (8210.22X.235)	06.84-12.90	224	---	---	4359	4359
P/PA -330-30H (8210.22X.523)	06.84-12.90	224	---	---	4359	4359
STRALIS 450S33 T	04.2012 -	243	330	8710	4091	
STRALIS 450S38 T	08.2005 -	278	378	12880	4091	
STRALIS 450S42 T	08.2005 -	309	420	12880	4091	
STRALIS 460S36 T	04.2012 -	265	360	8708	4091	
STRALIS 490S38 T	06.2007 -	278	378	12880	4091	
STRALIS 490S40 T	04.2012 -	302	411	12882	4091	
STRALIS 490S42 T	02.2008 -	309	420	12880	4091	
STRALIS 490S46 T	03.2010 -	338	460	12882	4091	
STRALIS 490S48 T	04.2012 -	353	480	12882	4091	
STRALIS 530S36 T	04.2012 -	265	360	8708	4091	
STRALIS 570S38 T	08.2005 -	278	378	12880	4091	
STRALIS 570S42 T	08.2005 -	309	420	12880	4091	
STRALIS 570S46 T	08.2005 -	338	460	12882	4091	
STRALIS 600S56 T	04.2012 -	412	560	12882	4091	
STRALIS 800S46 TZ	08.2005 -	353	480	12882	4091	
STRALIS 800S56 TZ	04.2012 -	412	560	12882	4091	

**MAKE & MODEL****YEAR****KW****PS****CC****IVECO**

STRALIS AD 190S27, AT 190S27	04.2004 -	200	272	7790	4091	
STRALIS AD 190S27, AT 190S27	04.2004 -	200	272	7790	3664	3664
STRALIS AD 190S27, AT 190S27	06.2003 -	200	272	7790	4091	
STRALIS AD 190S27, AT 190S27	06.2003 -	200	272	7790	3664	3664
STRALIS AD 190S30	04.2004 -	218	296	7790	4091	
STRALIS AD 190S30	04.2004 -	218	296	7790	3664	3664
STRALIS AD 190S31, AT 190S31	04.2004 -	228	310	7790	4091	
STRALIS AD 190S31, AT 190S31	04.2004 -	228	310	7790	3664	3664
STRALIS AD 190S33, AT 190S33	05.2007 -	243	330	7790	4091	
STRALIS AD 190S33, AT 190S33	05.2007 -	243	330	7790	3664	3664
STRALIS AD 190S35	04.2004 -	259	352	7790	4091	
STRALIS AD 190S35	04.2004 -	259	352	7790	3664	3664
STRALIS AD 190S36, AT 190S36	05.2007 -	265	360	7790	4091	
STRALIS AD 190S36, AT 190S36	05.2007 -	265	360	7790	3664	3664
STRALIS AD 190S40, AT 190S40	03.2003 -	294	400	10308	4091	
STRALIS AD 190S40, AT 190S40	03.2003 -	294	400	10308	3664	3664
STRALIS AD 190S43, AT 190S43	06.2003 -	316	430	10308	4091	
STRALIS AD 190S43, AT 190S43	06.2003 -	316	430	10308	3664	3664
STRALIS AD 190S45, AT 190S45	12.2006 -	331	450	10308	4091	
STRALIS AD 190S45, AT 190S45	12.2006 -	331	450	10308	3664	3664
STRALIS AD 260S27 CNG, AT 260S27 CNG	01.2008 -	200	272	7790	4091	
STRALIS AD 260S27 CNG, AT 260S27 CNG	01.2008 -	200	272	7790	3664	3664
STRALIS AD 260S27, AT 260S27	04.2004 -	200	272	7790	4091	
STRALIS AD 260S27, AT 260S27	04.2004 -	200	272	7790	3664	3664
STRALIS AD 260S30 CNG	01.2013 -	220	299	7790	4091	
STRALIS AD 260S30, AT 260S30	04.2004 -	218	296	7790	4091	
STRALIS AD 260S30, AT 260S30	04.2004 -	218	296	7790	3664	3664
STRALIS AD 260S30, AT 260S30	10.2005 -	218	296	7790	4091	
STRALIS AD 260S30, AT 260S30	10.2005 -	218	296	7790	3664	3664
STRALIS AD 260S31, AT 260S31	04.2004 -	228	310	7790	4091	
STRALIS AD 260S31, AT 260S31	04.2004 -	228	310	7790	3664	3664
STRALIS AD 260S31, AT 260S31	06.2003 -	228	310	7790	4091	
STRALIS AD 260S31, AT 260S31	06.2003 -	228	310	7790	3664	3664
STRALIS AD 260S33, AT 260S33	06.2007 -	243	330	7790	4091	
STRALIS AD 260S33, AT 260S33	06.2007 -	243	330	7790	3664	3664
STRALIS AD 260S33, AT 260S33	12.2006 -	243	330	7790	4091	
STRALIS AD 260S33, AT 260S33	12.2006 -	243	330	7790	3664	3664
STRALIS AD 260S35	04.2004 -	259	352	7990	4091	
STRALIS AD 260S35	04.2004 -	259	352	7990	3664	3664
STRALIS AD 260S35, AT 260S35, AD 260S36, AT 260S36	06.2003 -	259	352	7790	4091	
STRALIS AD 260S35, AT 260S35, AD 260S36, AT 260S36	06.2003 -	259	352	7790	3664	3664
STRALIS AD 260S36, AT 260S36	07.2007 -	265	360	7790	4091	
STRALIS AD 260S36, AT 260S36	07.2007 -	265	360	7790	3664	3664
STRALIS AD 260S40, AT 260S40	06.2003 -	294	400	10308	4091	
STRALIS AD 260S40, AT 260S40	06.2003 -	294	400	10308	3664	3664
STRALIS AD 260S42, AT 260S42	12.2006 -	310	422	10308	4091	
STRALIS AD 260S42, AT 260S42	12.2006 -	310	422	10308	3664	3664
STRALIS AD 260S42, AT 260S42, AS 260S42	01.2013 -	309	420	11118	4091	
STRALIS AD 260S42, AT 260S42, AS 260S42	05.2007 -	310	422	10308	4091	
STRALIS AD 260S42, AT 260S42, AS 260S42	05.2007 -	310	422	10308	3664	3664
STRALIS AD 260S43, AT 260S43	06.2003 -	316	430	10308	4091	
STRALIS AD 260S43, AT 260S43	06.2003 -	316	430	10308	3664	3664
STRALIS AD 260S45, AT 260S45	12.2006 -	331	450	10308	4091	
STRALIS AD 260S45, AT 260S45	12.2006 -	331	450	10308	3664	3664
STRALIS AD 260S45, AT 260S45, AS 260S45	05.2007 -	331	450	10308	4091	
STRALIS AD 260S45, AT 260S45, AS 260S45	05.2007 -	331	450	10308	3664	3664
STRALIS AD 320S36	05.2007 -	265	360	12882	4091	
STRALIS AD 320S36	05.2007 -	265	360	12882	3664	3664
STRALIS AD 440S31, AT 440S31	06.2003 -	228	310	7790	4091	
STRALIS AD 440S31, AT 440S31	06.2003 -	228	310	7790	3664	3664
STRALIS AD 440S33, AT 440S33	12.2006 -	243	330	7790	4091	
STRALIS AD 440S33, AT 440S33	12.2006 -	243	330	7790	3664	3664
STRALIS AD 440S35, AT 440S35, AD 440S36, AT 440S36	06.2003 -	259	352	7790	4091	
STRALIS AD 440S35, AT 440S35, AD 440S36, AT 440S36	06.2003 -	259	352	7790	3664	3664
STRALIS AD 440S40, AT 440S40	03.2003 -	294	400	10308	4091	
STRALIS AD 440S40, AT 440S40	03.2003 -	294	400	10308	3664	3664
STRALIS AD 440S40, AT 440S40	06.2003 -	294	400	10308	4091	

**MAKE & MODEL****YEAR****KW****PS****CC****IVECO**

STRALIS AD 440S40, AT 440S40	06.2003 -	294	400	10308	3664	3664
STRALIS AD 440S42, AT 440S42	04.2006 -	310	422	10308	4091	
STRALIS AD 440S42, AT 440S42	04.2006 -	310	422	10308	3664	3664
STRALIS AD 440S43, AT 440S43	06.2003 -	316	430	10308	4091	
STRALIS AD 440S43, AT 440S43	06.2003 -	316	430	10308	3664	3664
STRALIS AD 440S45, AT 440S45	12.2006 -	331	450	10308	4091	
STRALIS AD 440S45, AT 440S45	12.2006 -	331	450	10308	3664	3664
STRALIS AS 190S40	02.2002 -	294	400	10308	4091	
STRALIS AS 190S40	02.2002 -	294	400	10308	3664	3664
STRALIS AS 190S43	02.2002 -	316	430	10308	4091	
STRALIS AS 190S43	02.2002 -	316	430	10308	3664	3664
STRALIS AS 190S45	12.2006 -	331	450	10308	4091	
STRALIS AS 190S45	12.2006 -	331	450	10308	3664	3664
STRALIS AS 190S48	02.2002 -	353	480	12880	4091	
STRALIS AS 190S48	02.2002 -	353	480	12880	3664	3664
STRALIS AS 260S40	02.2002 -	294	400	10308	4091	
STRALIS AS 260S40	02.2002 -	294	400	10308	3664	3664
STRALIS AS 260S40	05.2005 -	294	400	10308	4091	
STRALIS AS 260S40	05.2005 -	294	400	10308	3664	3664
STRALIS AS 260S43	02.2002 -	316	430	10300	4091	
STRALIS AS 260S43	02.2002 -	316	430	10300	3664	3664
STRALIS AS 260S43	02.2002 -	316	430	10308	4091	
STRALIS AS 260S43	05.2005 -	316	430	10308	4091	
STRALIS AS 260S43	05.2005 -	316	430	10308	3664	3664
STRALIS AS 260S48	02.2002 -	353	480	12880	4091	
STRALIS AS 260S48	02.2002 -	353	480	12880	3664	3664
STRALIS AS 260S54	02.2002 -	397	540	12880	4091	
STRALIS AS 260S54	02.2002 -	397	540	12880	3664	3664
STRALIS AS 440S40	02.2002 -	294	400	10308	4091	
STRALIS AS 440S40	02.2002 -	294	400	10308	3664	3664
STRALIS AS 440S42	05.2006 -	310	420	10308	4091	
STRALIS AS 440S42	05.2006 -	310	420	10308	3664	3664
STRALIS AS 440S42	07.2006 -	310	420	10308	4091	
STRALIS AS 440S42	07.2006 -	310	420	10308	3664	3664
STRALIS AS 440S42, AT 440S42	12.2006 -	310	422	10308	4091	
STRALIS AS 440S42, AT 440S42	12.2006 -	310	422	10308	3664	3664
STRALIS AS 440S43	02.2002 -	316	430	10308	4091	
STRALIS AS 440S43	02.2002 -	316	430	10308	3664	3664
STRALIS AS 440S45	12.2006 -	331	450	10308	4091	
STRALIS AS 440S45	12.2006 -	331	450	10308	3664	3664
STRALIS AS 440S45, AT 440S45	12.2006 -	331	450	10308	4091	
STRALIS AS 440S45, AT 440S45	12.2006 -	331	450	10308	3664	3664
STRALIS AS 440S46	12.2009 -	338	460	10308	4091	
STRALIS AS 440S48	02.2002 -	353	480	12880	4091	
STRALIS AS 440S48	02.2002 -	353	480	12880	3664	3664
STRALIS AS 440S50, AT 440S50	12.2006 -	368	500	12882	4091	
STRALIS AS 440S50, AT 440S50	12.2006 -	368	500	12882	3664	3664
STRALIS AS 440S54	02.2002 -	397	540	12880	4091	
STRALIS AS 440S54	02.2002 -	397	540	12880	3664	3664
STRALIS AS 440S54, ES 440S54	02.2002 -	397	540	12880	4091	
STRALIS AS 440S54, ES 440S54	02.2002 -	397	540	12880	3664	3664
STRALIS AS 440S56, AT 440S56	12.2006 -	412	560	12882	4091	
STRALIS AS 440S56, AT 440S56	12.2006 -	412	560	12882	3664	3664
STRALIS AT 440S33 CNG	01.2013 -	243	330	7790	4091	
STRALIS AT 440S42	07.2006 -	310	420	10308	4091	
STRALIS AT 440S42	07.2006 -	310	420	10308	3664	3664
STRALIS AT 440S43	06.2003 -	316	430	10308	4091	
STRALIS AT 440S43	06.2003 -	316	430	10308	3664	3664
STRALIS AT 440S45	07.2006 -	331	450	10308	4091	
STRALIS AT 440S45	07.2006 -	331	450	10308	3664	3664
STRALIS ES 440S48	10.2004 -	353	480	12880	4091	
STRALIS ES 440S48	10.2004 -	353	480	12880	3664	3664
STRALIS ES 440S54	10.2004 -	397	540	12880	4091	
STRALIS ES 440S54	10.2004 -	397	540	12880	3664	3664
STRATOR ASN 440S42T	04.2010 -	310	420	10308	4091	
STRATOR ASN 440S42T	04.2010 -	310	420	10308	3664	3664
STRATOR ASN 440S42TX	04.2010 -	310	420	10308	4091	



## MAKE & MODEL



MAKE & MODEL	YEAR	KW	PS	CC		
<b>IVECO</b>						
STRATOR ASN 440S42TX	04.2010 -	310	420	10308	3664	3664
STRATOR ASN 440S45T	04.2010 -	331	450	10308	4091	
STRATOR ASN 440S45T	04.2010 -	331	450	10308	3664	3664
STRATOR ASN 440S45TX	04.2010 -	331	450	10308	4091	
STRATOR ASN 440S45TX	04.2010 -	331	450	10308	3664	3664
STRATOR ASN 440S50T	04.2010 -	368	500	12880	4091	
STRATOR ASN 440S50T	04.2010 -	368	500	12880	3664	3664
STRATOR ASN 440S50TX	04.2010 -	368	500	12880	4091	
STRATOR ASN 440S50TX	04.2010 -	368	500	12880	3664	3664
STRATOR ASN 440S50TZ	04.2010 -	368	500	12880	4091	
STRATOR ASN 440S50TZ	04.2010 -	368	500	12880	3664	3664
STRATOR ASN 440S56T	04.2010 -	412	560	12880	4091	
STRATOR ASN 440S56T	04.2010 -	412	560	12880	3664	3664
STRATOR ASN 440S56TX	04.2010 -	412	560	12880	4091	
STRATOR ASN 440S56TX	04.2010 -	412	560	12880	3664	3664
STRATOR ASN 440S56TZ	04.2010 -	412	560	12880	4091	
STRATOR ASN 440S56TZ	04.2010 -	412	560	12880	3664	3664
TECTOR 150E21	01.2012 -	150	204	4485	4091	
TECTOR 170E22	01.2012 -	160	218	5883	4091	
TECTOR 170E28	01.2012 -	206	280	5883	4091	
TECTOR 240E28	01.2012 -	206	280	5883	4091	
TRAKKER AD 180T27 W, AT 180T27 W	06.2005 -	200	272	7790	4091	4091
TRAKKER AD 190T27, AT 190T27	06.2005 -	200	272	7790	3664	
TRAKKER AD 190T27, AT 190T27	06.2005 -	200	272	7790	4091	
TRAKKER AD 190T31 W, AT 190T31 W	06.2005 -	228	310	7790	4091	4091
TRAKKER AD 190T31 W, AT 190T31 W	10.2004 -	228	310	7790	3664	
TRAKKER AD 190T31 W, AT 190T31 W	10.2004 -	228	310	7790	4091	4091
TRAKKER AD 190T31, AT 190T31	10.2004 -	228	310	7790	3664	
TRAKKER AD 190T31, AT 190T31	10.2004 -	228	310	7790	4091	
TRAKKER AD 190T33 W, AT 190T33 W	03.2006 -	243	330	7790	4091	4091
TRAKKER AD 190T33, AT 190T33	01.2013 -	243	330	8708	4091	
TRAKKER AD 190T33, AT 190T33	03.2006 -	243	330	7790	4091	
TRAKKER AD 190T33, AT 190T33	03.2006 -	243	330	7790	3664	3664
TRAKKER AD 190T35 W, AD 190T36 W, AT 190T35 W, AT 190T36 W	10.2004 -	259	352	7790	3664	
TRAKKER AD 190T35 W, AD 190T36 W, AT 190T35 W, AT 190T36 W	10.2004 -	259	352	7790	4091	4091
TRAKKER AD 190T35 W, AT 190T35 W, AD 190T36 W, AT 190T36 W	01.2005 -	259	352	7790	3664	
TRAKKER AD 190T35 W, AT 190T35 W, AD 190T36 W, AT 190T36 W	01.2005 -	259	352	7790	4091	
TRAKKER AD 190T35, AD 190T36, AT 190T35, AT 190T36	10.2004 -	259	352	7790	3664	
TRAKKER AD 190T35, AD 190T36, AT 190T35, AT 190T36	10.2004 -	259	352	7790	4091	
TRAKKER AD 190T35, AT 190T35, AD 190T36, AT 190T36	06.2005 -	259	352	7790	3664	
TRAKKER AD 190T35, AT 190T35, AD 190T36, AT 190T36	06.2005 -	259	352	7790	4091	
TRAKKER AD 190T36, AT 190T36	01.2013 -	265	360	8708	4091	
TRAKKER AD 190T38 W, AT 190T38 W	06.2005 -	280	380	12880	3664	
TRAKKER AD 190T38 W, AT 190T38 W	06.2005 -	280	380	12880	4091	
TRAKKER AD 190T38 W, AT 190T38 W	10.2004 -	280	380	12880	3664	
TRAKKER AD 190T38 W, AT 190T38 W	10.2004 -	280	380	12880	4091	4091
TRAKKER AD 190T38, AT 190T38	10.2004 -	280	380	12880	3664	
TRAKKER AD 190T38, AT 190T38	10.2004 -	280	380	12880	4091	
TRAKKER AD 190T41, AT 190T41	03.2006 -	302	410	12882	3664	
TRAKKER AD 190T41, AT 190T41	03.2006 -	302	410	12882	4091	
TRAKKER AD 190T44 W, AD 190T45 W, AT 190T44 W, AD 190T45 W	10.2004 -	324	440	12880	3664	
TRAKKER AD 190T44 W, AD 190T45 W, AT 190T44 W, AD 190T45 W	10.2004 -	324	440	12880	4091	4091
TRAKKER AD 190T44 W, AT 190T44 W, AD 190T45 W, AT 190T45 W	06.2005 -	324	440	12880	3664	
TRAKKER AD 190T44 W, AT 190T44 W, AD 190T45 W, AT 190T45 W	06.2005 -	324	440	12880	4091	
TRAKKER AD 190T44, AD 190T45, AT 190T44, AT 190T45	10.2004 -	324	440	12880	3664	
TRAKKER AD 190T44, AD 190T45, AT 190T44, AT 190T45	10.2004 -	324	440	12880	4091	
TRAKKER AD 190T44, AT 190T44, AD 19T45, AT 190T45	06.2005 -	324	440	12880	3664	
TRAKKER AD 190T44, AT 190T44, AD 19T45, AT 190T45	06.2005 -	324	440	12880	4091	
TRAKKER AD 260T31 B	06.2005 -	228	310	7790	3664	
TRAKKER AD 260T31 B	06.2005 -	228	310	7790	4091	
TRAKKER AD 260T31, AT 260T31	10.2004 -	228	310	7790	3664	
TRAKKER AD 260T31, AT 260T31	10.2004 -	228	310	7790	4091	
TRAKKER AD 260T33 B	07.2007 -	243	330	7790	3664	
TRAKKER AD 260T33 B	07.2007 -	243	330	7790	4091	
TRAKKER AD 260T33, AD 380T33, AT 260T33, AT 380T33	03.2006 -	243	330	7790	3664	
TRAKKER AD 260T33, AD 380T33, AT 260T33, AT 380T33	03.2006 -	243	330	7790	4091	
TRAKKER AD 260T33, AT 260T33	01.2013 -	243	330	8708	4091	



**MAKE & MODEL****YEAR****KW****PS****CC****IVECO**

TRAKKER AD 260T35 B	06.2005 -	259	352	7790	3664	
TRAKKER AD 260T35 B	06.2005 -	259	352	7790	4091	
TRAKKER AD 260T35 W, AT 260T35 W	06.2005 -	259	352	7790	3664	
TRAKKER AD 260T35 W, AT 260T35 W	06.2005 -	259	352	7790	4091	
TRAKKER AD 260T35, 260T36, 380T36, AT 260T35, 260T36, 380T36	10.2004 -	259	352	7790	3664	
TRAKKER AD 260T35, 260T36, 380T36, AT 260T35, 260T36, 380T36	10.2004 -	259	352	7790	4091	
TRAKKER AD 260T35, AT 260T35	10.2004 -	259	352	7790	3664	
TRAKKER AD 260T35, AT 260T35	10.2004 -	259	352	7790	4091	
TRAKKER AD 260T36 B	07.2007 -	265	360	7790	3664	
TRAKKER AD 260T36 B	07.2007 -	265	360	7790	4091	
TRAKKER AD 260T36 W, AD 380T36 W, AT 260T36 W, AT 380T36 W	10.2004 -	265	360	7790	4091	4091
TRAKKER AD 260T36, AT 260T36	01.2013 -	265	360	8708	4091	
TRAKKER AD 260T36, AT 260T36	03.2006 -	265	360	7790	3664	
TRAKKER AD 260T36, AT 260T36	03.2006 -	265	360	7790	4091	
TRAKKER AD 260T38 , AT 260T38	10.2004 -	280	380	12880	3664	
TRAKKER AD 260T38 , AT 260T38	10.2004 -	280	380	12880	4091	
TRAKKER AD 260T38 B	06.2005 -	280	380	12880	3664	
TRAKKER AD 260T38 B	06.2005 -	280	380	12880	4091	
TRAKKER AD 260T38 W, AT 260T38 W	06.2005 -	280	380	12880	3664	
TRAKKER AD 260T38 W, AT 260T38 W	06.2005 -	280	380	12880	4091	
TRAKKER AD 260T38, AD 260T38 /P, AT 260T38	06.2005 -	280	380	12880	4091	
TRAKKER AD 260T41 W, AD 380T41 W, AT 260T41 W, AT 380T41 W	03.2006 -	302	410	12882	4091	4091
TRAKKER AD 260T41, AD 380T41, AT 260T41, AT 380T41	03.2006 -	302	410	12882	3664	
TRAKKER AD 260T41, AD 380T41, AT 260T41, AT 380T41	03.2006 -	302	410	12882	4091	
TRAKKER AD 260T44 W, AT 260T44 W	06.2005 -	324	440	12880	3664	
TRAKKER AD 260T44 W, AT 260T44 W	06.2005 -	324	440	12880	4091	
TRAKKER AD 260T44, AD 260T44 /P, AT 260T44	06.2005 -	324	440	12880	4091	
TRAKKER AD 260T45 W, AD 380T45 W, AT 260T45 W, AT 380T45 W	03.2006 -	332	450	12880	4091	4091
TRAKKER AD 260T45, AD 380T45, AT 260T45, AT 380T45	03.2006 -	332	450	12880	3664	
TRAKKER AD 260T45, AD 380T45, AT 260T45, AT 380T45	03.2006 -	332	450	12880	4091	
TRAKKER AD 260T48, AT 260T48	06.2005 -	353	480	12880	3664	
TRAKKER AD 260T48, AT 260T48	06.2005 -	353	480	12880	4091	
TRAKKER AD 260T50, AD 380T50, AT 260T50, AT 380T50	03.2006 -	368	500	12882	3664	
TRAKKER AD 260T50, AD 380T50, AT 260T50, AT 380T50	03.2006 -	368	500	12882	4091	
TRAKKER AD 340T35 B, AT 340T35 B	06.2005 -	259	352	7790	3664	
TRAKKER AD 340T35 B, AT 340T35 B	06.2005 -	259	352	7790	4091	
TRAKKER AD 340T35, AT 340T35	06.2005 -	259	352	7790	3664	
TRAKKER AD 340T35, AT 340T35	06.2005 -	259	352	7790	4091	
TRAKKER AD 340T36 B	06.2006 -	265	360	7790	3664	
TRAKKER AD 340T36 B	06.2006 -	265	360	7790	4091	
TRAKKER AD 340T36, AT 340T36	01.2013 -	265	360	8708	4091	
TRAKKER AD 340T36, AT 340T36	03.2006 -	265	360	7790	3664	
TRAKKER AD 340T36, AT 340T36	03.2006 -	265	360	7790	4091	
TRAKKER AD 340T36, AT 340T36	07.2007 -	265	360	7790	3664	
TRAKKER AD 340T36, AT 340T36	07.2007 -	265	360	7790	4091	
TRAKKER AD 340T38 B, AT 34T38 B	06.2005 -	280	380	12880	3664	
TRAKKER AD 340T38 B, AT 34T38 B	06.2005 -	280	380	12880	4091	
TRAKKER AD 340T41 B	06.2006 -	302	411	12882	3664	
TRAKKER AD 340T41 B	06.2006 -	302	411	12882	4091	
TRAKKER AD 340T41, AT 340T41	03.2006 -	302	410	12882	3664	
TRAKKER AD 340T41, AT 340T41	03.2006 -	302	410	12882	4091	
TRAKKER AD 340T41, AT 340T41	06.2006 -	302	411	12882	3664	
TRAKKER AD 340T41, AT 340T41	06.2006 -	302	411	12882	4091	
TRAKKER AD 340T44 B, AT 340T44 B	06.2005 -	324	440	12880	3664	
TRAKKER AD 340T44 B, AT 340T44 B	06.2005 -	324	440	12880	4091	
TRAKKER AD 340T44, AT 340T44	06.2005 -	324	440	12880	3664	
TRAKKER AD 340T44, AT 340T44	06.2005 -	324	440	12880	4091	
TRAKKER AD 340T45 B	06.2006 -	332	450	12880	3664	
TRAKKER AD 340T45 B	06.2006 -	332	450	12880	4091	
TRAKKER AD 340T45, AD 340T45 /P, AT 340T45, AT 34T45 /P	06.2006 -	332	450	12882	3664	
TRAKKER AD 340T45, AD 340T45 /P, AT 340T45, AT 34T45 /P	06.2006 -	332	450	12882	4091	
TRAKKER AD 340T45, AT 340T45	03.2006 -	332	450	12880	3664	
TRAKKER AD 340T45, AT 340T45	03.2006 -	332	450	12880	4091	
TRAKKER AD 340T50, AT 340T50	03.2006 -	368	500	12880	3664	
TRAKKER AD 340T50, AT 340T50	03.2006 -	368	500	12880	4091	
TRAKKER AD 380T35	01.2005 -	259	352	7790	3664	
TRAKKER AD 380T35	01.2005 -	259	352	7790	4091	

**MAKE & MODEL****YEAR****KW****PS****CC****IVECO**

TRAKKER AD 380T36 W, AT 380T36 W	04.2006 -	265	360	7790	3664	
TRAKKER AD 380T36 W, AT 380T36 W	04.2006 -	265	360	7790	4091	
TRAKKER AD 380T38 B	06.2005 -	280	380	12880	3664	
TRAKKER AD 380T38 B	06.2005 -	280	380	12880	4091	
TRAKKER AD 380T38 W, AT 380T38 W	06.2005 -	280	380	12880	3664	
TRAKKER AD 380T38 W, AT 380T38 W	06.2005 -	280	380	12880	4091	
TRAKKER AD 380T38, AT 380T38	01.2005 -	280	380	12880	3664	
TRAKKER AD 380T38, AT 380T38	01.2005 -	280	380	12880	4091	
TRAKKER AD 380T41 W, AT 380T41 W	09.2006 -	302	411	12882	3664	
TRAKKER AD 380T41 W, AT 380T41 W	09.2006 -	302	411	12882	4091	
TRAKKER AD 380T41, AT 380T41	01.2013 -	301	410	12882	4091	
TRAKKER AD 380T41, AT 380T41	09.2006 -	302	411	12882	3664	
TRAKKER AD 380T41, AT 380T41	09.2006 -	302	411	12882	4091	
TRAKKER AD 380T42 W	01.2005 -	309	420	12880	3664	
TRAKKER AD 380T42 W	01.2005 -	309	420	12880	4091	
TRAKKER AD 380T44 B	06.2005 -	324	440	12880	3664	
TRAKKER AD 380T44 B	06.2005 -	324	440	12880	4091	
TRAKKER AD 380T44 W, AT 380T44 W	06.2005 -	324	440	12880	3664	
TRAKKER AD 380T44 W, AT 380T44 W	06.2005 -	324	440	12880	4091	
TRAKKER AD 380T44, AT 380T44	06.2005 -	324	440	12880	3664	
TRAKKER AD 380T44, AT 380T44	06.2005 -	324	440	12880	4091	
TRAKKER AD 380T45 W, AT 380T45 W	01.2013 -	331	450	12882	4091	
TRAKKER AD 380T45 W, AT 380T45 W	09.2006 -	331	450	12880	3664	
TRAKKER AD 380T45 W, AT 380T45 W	09.2006 -	331	450	12880	4091	
TRAKKER AD 380T45, AT 380T45	01.2013 -	331	450	12882	4091	
TRAKKER AD 380T48, AD 380T48	06.2005 -	353	480	12880	3664	
TRAKKER AD 380T48, AD 380T48	06.2005 -	353	480	12880	4091	
TRAKKER AD 380T50, AT 380T50	03.2007 -	368	500	12882	3664	
TRAKKER AD 380T50, AT 380T50	03.2007 -	368	500	12882	4091	
TRAKKER AD 400T35 T, AT 400T35 T	06.2005 -	259	352	7790	3664	
TRAKKER AD 400T35 T, AT 400T35 T	06.2005 -	259	352	7790	4091	
TRAKKER AD 400T36 T, AT 400T36 T	01.2013 -	265	360	8708	4091	
TRAKKER AD 400T36 T, AT 400T36 T	10.2004 -	265	360	7790	3664	
TRAKKER AD 400T36 T, AT 400T36 T	10.2004 -	265	360	7790	4091	
TRAKKER AD 400T38 T, AT 400T38 T	06.2005 -	280	380	12880	3664	
TRAKKER AD 400T38 T, AT 400T38 T	06.2005 -	280	380	12880	4091	
TRAKKER AD 400T38 WT, AT 400T38 WT	06.2005 -	280	380	12880	3664	
TRAKKER AD 400T38 WT, AT 400T38 WT	06.2005 -	280	380	12880	4091	
TRAKKER AD 400T41 T, AT 400T41 T	03.2006 -	302	410	12882	3664	
TRAKKER AD 400T41 T, AT 400T41 T	03.2006 -	302	410	12882	4091	
TRAKKER AD 400T41 WT, AT 400T41 WT	03.2006 -	302	410	12882	4091	4091
TRAKKER AD 400T44 T, AT 400T44 T	06.2005 -	324	440	12880	3664	
TRAKKER AD 400T44 T, AT 400T44 T	06.2005 -	324	440	12880	4091	
TRAKKER AD 400T44 WT, AT 400T44 WT	06.2005 -	324	440	12880	3664	
TRAKKER AD 400T44 WT, AT 400T44 WT	06.2005 -	324	440	12880	4091	
TRAKKER AD 400T45 T, AT 400T45 T	03.2006 -	331	450	12882	3664	
TRAKKER AD 400T45 T, AT 400T45 T	03.2006 -	331	450	12882	4091	
TRAKKER AD 400T45 WT, AT 400T45 WT	03.2006 -	332	450	12880	4091	4091
TRAKKER AD 400T50 T, AT 400T50 T	03.2006 -	368	500	12882	3664	
TRAKKER AD 400T50 T, AT 400T50 T	03.2006 -	368	500	12882	4091	
TRAKKER AD 410T35	02.2005 -	259	352	7790	3664	
TRAKKER AD 410T35	02.2005 -	259	352	7790	4091	
TRAKKER AD 410T36, AT 410T36	03.2006 -	265	360	7790	3664	
TRAKKER AD 410T36, AT 410T36	03.2006 -	265	360	7790	4091	
TRAKKER AD 410T38	02.2005 -	280	380	12880	3664	
TRAKKER AD 410T38	02.2005 -	280	380	12880	4091	
TRAKKER AD 410T38 B, AT 410T38 B	06.2005 -	280	380	12880	3664	
TRAKKER AD 410T38 B, AT 410T38 B	06.2005 -	280	380	12880	4091	
TRAKKER AD 410T38 H	04.2005 -	280	380	12880	3664	
TRAKKER AD 410T38 H	04.2005 -	280	380	12880	4091	
TRAKKER AD 410T41, AT 410T41	03.2006 -	302	410	12882	3664	
TRAKKER AD 410T41, AT 410T41	03.2006 -	302	410	12882	4091	
TRAKKER AD 410T41, AT 410T41	06.2006 -	301	410	12882	3664	
TRAKKER AD 410T41, AT 410T41	06.2006 -	301	410	12882	4091	
TRAKKER AD 410T44 B, AT 410T44 B	06.2005 -	324	440	12880	3664	
TRAKKER AD 410T44 B, AT 410T44 B	06.2005 -	324	440	12880	4091	
TRAKKER AD 410T44 W, AT 410T44 W	06.2005 -	324	440	12880	3664	

**MAKE & MODEL****YEAR****KW****PS****CC****IVECO**

TRAKKER AD 410T44 W , AT 410T44 W	06.2005 -	324	440	12880	4091	
TRAKKER AD 410T44, AT 410T44	02.2005 -	324	440	12880	3664	
TRAKKER AD 410T44, AT 410T44	02.2005 -	324	440	12880	4091	
TRAKKER AD 410T44, AT410T44	02.2005 -	324	440	12880	4091	
TRAKKER AD 410T45 W	03.2006 -	332	450	12880	4091	4091
TRAKKER AD 410T45 W	07.2007 -	332	450	12880	3664	
TRAKKER AD 410T45 W	07.2007 -	332	450	12880	4091	
TRAKKER AD 410T45, AT 410T45	03.2006 -	332	450	12880	3664	
TRAKKER AD 410T45, AT 410T45	03.2006 -	332	450	12880	4091	
TRAKKER AD 410T45, AT 410T45	06.2006 -	332	450	12882	3664	
TRAKKER AD 410T45, AT 410T45	06.2006 -	332	450	12882	4091	
TRAKKER AD 410T48 B, AT 410T48 B	06.2005 -	353	480	12880	3664	
TRAKKER AD 410T48 B, AT 410T48 B	06.2005 -	353	480	12880	4091	
TRAKKER AD 410T48, AT 410T48	02.2005 -	353	480	12880	3664	
TRAKKER AD 410T48, AT 410T48	02.2005 -	353	480	12880	4091	
TRAKKER AD 410T50, AT 410T50	03.2006 -	368	500	12880	3664	
TRAKKER AD 410T50, AT 410T50	03.2006 -	368	500	12880	4091	
TRAKKER AD 410T50, AT 410T50	06.2006 -	368	500	12882	3664	
TRAKKER AD 410T50, AT 410T50	06.2006 -	368	500	12882	4091	
TRAKKER AD 440T38 T, AT 440T38 T	04.2005 -	280	380	12880	3664	
TRAKKER AD 440T38 T, AT 440T38 T	04.2005 -	280	380	12880	4091	
TRAKKER AD 440T41 T, AT 440T41 T	03.2006 -	302	410	12882	3664	
TRAKKER AD 440T41 T, AT 440T41 T	03.2006 -	302	410	12882	4091	
TRAKKER AD 440T44 B	06.2005 -	324	440	12880	3664	
TRAKKER AD 440T44 B	06.2005 -	324	440	12880	4091	
TRAKKER AD 440T44 T, AT 440T44T	06.2005 -	324	440	12880	3664	
TRAKKER AD 440T44 T, AT 440T44T	06.2005 -	324	440	12880	4091	
TRAKKER AD 440T45 T, AT 440T45 T	03.2006 -	331	450	12882	3664	
TRAKKER AD 440T45 T, AT 440T45 T	03.2006 -	331	450	12882	4091	
TRAKKER AD 440T50 T, AT 440T50 T	03.2006 -	368	500	12882	3664	
TRAKKER AD 440T50 T, AT 440T50 T	03.2006 -	368	500	12882	4091	
TRAKKER AD 720T38 T, AT 720T38 T	06.2005 -	280	380	12880	3664	
TRAKKER AD 720T38 T, AT 720T38 T	06.2005 -	280	380	12880	4091	
TRAKKER AD 720T38 WT, AT 720T38 WT	06.2005 -	280	380	12880	3664	
TRAKKER AD 720T38 WT, AT 720T38 WT	06.2005 -	280	380	12880	4091	
TRAKKER AD 720T41 T, AT 720T41 T	03.2006 -	302	410	12882	3664	
TRAKKER AD 720T41 T, AT 720T41 T	03.2006 -	302	410	12882	4091	
TRAKKER AD 720T41 WT, AT 720T41 WT	03.2006 -	302	410	12882	4091	4091
TRAKKER AD 720T44 T, AT 720T44 T	06.2005 -	324	440	12880	3664	
TRAKKER AD 720T44 T, AT 720T44 T	06.2005 -	324	440	12880	4091	
TRAKKER AD 720T44 WT, AT 720T44 WT	06.2005 -	324	440	12880	3664	
TRAKKER AD 720T44 WT, AT 720T44 WT	06.2005 -	324	440	12880	4091	
TRAKKER AD 720T45 T, AT 720T45 T	03.2006 -	331	450	12880	3664	
TRAKKER AD 720T45 T, AT 720T45 T	03.2006 -	331	450	12880	4091	
TRAKKER AD 720T48 T, AT 720T48 T	06.2005 -	353	480	12880	3664	
TRAKKER AD 720T48 T, AT 720T48 T	06.2005 -	353	480	12880	4091	
TRAKKER AD 720T50 T, AT 720T50 T, AT 720T50 TP, AT 720T50 HT	03.2006 -	368	500	12882	3664	
TRAKKER AD 720T50 T, AT 720T50 T, AT 720T50 TP, AT 720T50 HT	03.2006 -	368	500	12882	4091	
TRAKKER AD 740T44T, AT 740T44T	02.2005 -	324	440	12880	4091	
TRAKKER AD 740T48T, AT 740/48T	02.2005 -	353	480	12880	4091	
TRAKKER AT 340T38	03.2005 -	280	380	12880	3664	
TRAKKER AT 340T38	03.2005 -	280	380	12880	4091	
TRAKKER AT 340T38 W	09.2005 -	280	380	12880	3664	
TRAKKER AT 340T38 W	09.2005 -	280	380	12880	4091	
TRAKKER AT 400T42 TH	06.2005 -	309	420	12880	3664	
TRAKKER AT 410T54 T	01.2005 -	397	540	12880	3664	
TRAKKER AT 410T54 T	01.2005 -	397	540	12880	4091	
TRAKKER AT 720T42 T	04.2005 -	309	420	12880	3664	
TRAKKER AT 720T42 WT	06.2005 -	309	420	12880	3664	
URBANWAY URBANWAY 10m, 12m	05.2013 -	210	286	6728	3828	3828
URBANWAY URBANWAY 12m	05.2013 -	228	310	8708	3828	3828
URBANWAY URBANWAY 12m	05.2013 -	265	360	8708	3828	3828
URBANWAY URBANWAY 12m CNG	05.2013 -	213	290	7790	3828	3828
URBANWAY URBANWAY 18m	05.2013 -	265	360	8708	3828	3828
URBANWAY URBANWAY 18m	05.2013 -	294	400	8708	3828	3828
ZETA A 60-9	09.1988 - 12.1992	65	88	3908	4091	
ZETA A 70-12	01.1983 - 01.1985	84	114	5401	4091	
ZETA A 70-14	05.1988 - 12.1992	101	137	5861	4091	



**MAKE & MODEL****YEAR****KW****PS****CC****KING LONG**

XMQ XMQ6800	08.2010 -	152	207	4462	3818	3818
XMQ XMQ6800AGD	08.2010 -	166	226	6700	3818	3818
XMQ XMQ6900	08.2010 -	184	250	6700	3818	3818
XMQ XMQ6900H	08.2010 -	184	250	6700	3818	3818
XMQ XMQ6900J	08.2010 -	184	250	6700	3818	3818
XMQ XMQ6900Y	08.2010 -	184	250	6700	3818	3818

**MAN**

E2000 19.310 FLK	05.2000 -	228	310	11967	3498	3498
E2000 19.310 FLS	05.2000 -	228	310	11967	3498	3498
E2000 19.360 FLK	05.2000 -	265	360	11967	3498	3498
E2000 19.360 FLS	05.2000 -	265	360	11967	3498	3498
E2000 19.410 FLK	05.2000 -	301	410	11967	3498	3498
E2000 19.410 FLS	05.2000 -	301	410	11967	3498	3498
E2000 19.460 FLK	05.2000 -	338	460	12816	3498	3498
E2000 19.460 FLS	05.2000 -	338	460	12816	3498	3498
E2000 26.310 FAVLC	05.2000 -	228	310	11967	3498	3498
E2000 26.360 FAVLC	05.2000 -	265	360	11967	3498	3498
E2000 26.410 DFARC	05.2000 -	301	410	11967	3498	3498
E2000 26.410 DFRC	05.2000 -	301	410	11967	3498	3498
E2000 26.460 DFARC	05.2000 -	338	460	12816	3498	3498
E2000 26.460 DFLS, DFLRS	05.2000 -	338	460	12816	3498	3498
E2000 26.460 FAVLC	05.2000 -	338	460	12816	3498	3498
E2000 28.230 FNLC	05.2000 -	170	231	11967	3498	3498
E2000 28.310 FNLC	05.2000 -	228	310	11967	3498	3498
E2000 28.360 FANLC	05.2000 -	265	360	11967	3498	3498
E2000 28.360 FNLC	05.2000 -	265	360	11967	3498	3498
E2000 28.410 FANLC	05.2000 -	301	410	11967	3498	3498
E2000 28.410 FNLC	05.2000 -	301	410	11967	3498	3498
E2000 28.460 FANLC	05.2000 -	338	460	12816	3498	3498
E2000 28.460 FNLC	05.2000 -	338	460	12816	3498	3498
E2000 30.310 FNLC	05.2000 -	228	310	11967	3498	3498
E2000 30.360 FNLC	05.2000 -	265	360	11967	3498	3498
E2000 30.410 FANLC	05.2000 -	301	410	11967	3498	3498
E2000 30.410 FANLK	05.2000 -	301	410	11967	3498	3498
E2000 30.410 FNLC	05.2000 -	301	410	11967	3498	3498
E2000 30.460 FANLC	05.2000 -	338	460	12816	3498	3498
E2000 30.460 FANLK	05.2000 -	338	460	12816	3498	3498
E2000 30.460 FNLC	05.2000 -	338	460	12816	3498	3498
E2000 32.310 VFCL	05.2000 -	228	310	11967	3498	3498
E2000 32.310 VFNLC	05.2000 -	228	310	11967	3498	3498
E2000 32.360 VFCL	05.2000 -	265	360	11967	3498	3498
E2000 32.360 VFNLC	05.2000 -	265	360	11967	3498	3498
E2000 32.410 VFARK	05.2000 -	301	410	11967	3498	3498
E2000 32.410 VFCL, VFRC, VFRLC	05.2000 -	301	410	11967	3498	3498
E2000 32.410 VFNLC	05.2000 -	301	410	11967	3498	3498
E2000 32.460 VFARK	05.2000 -	338	460	12816	3498	3498
E2000 32.460 VFCL, VFRLC	05.2000 -	338	460	12816	3498	3498
E2000 32.460 VFNLC	05.2000 -	338	460	12816	3498	3498
E2000 33.360 DFAK, DFALK	05.2000 -	265	360	11967	3498	3498
E2000 33.360 DFALC	05.2000 -	265	360	11967	3498	3498
E2000 33.360 DFALS	04.2001 -	265	360	11967	3498	3498
E2000 33.360 DFCL	05.2000 -	265	360	11967	3498	3498
E2000 33.360 DFLK	05.2000 -	265	360	11967	3498	3498
E2000 33.360 DFSL	05.2000 -	265	360	11967	3498	3498
E2000 33.410 DFAK, DFALK	05.2000 -	301	410	11967	3498	3498
E2000 33.410 DFALC	05.2000 -	301	410	11967	3498	3498
E2000 33.410 DFALS	04.2001 -	301	410	11967	3498	3498
E2000 33.410 DFCL	05.2000 -	301	410	11967	3498	3498
E2000 33.410 DFLK	05.2000 -	301	410	11967	3498	3498
E2000 33.410 DFSL	05.2000 -	301	410	11967	3498	3498
E2000 33.460 DFAK, DFALK	05.2000 -	338	460	12816	3498	3498
E2000 33.460 DFALC	05.2000 -	338	460	12816	3498	3498
E2000 33.460 DFALS	04.2001 -	338	460	12816	3498	3498
E2000 33.460 DFCL	05.2000 -	338	460	12816	3498	3498
E2000 33.460 DFLK	05.2000 -	338	460	12816	3498	3498
E2000 33.460 DFSL	05.2000 -	338	460	12816	3498	3498
E2000 33.600 DFSL	06.2000 -	441	600	18273	3498	3498

**MAKE & MODEL****YEAR****KW****PS****CC****MAN**

E2000 35.410 FVNLC	05.2000 -	301	410	11967	3498	3498
E2000 35.460 FVNLC	05.2000 -	338	460	12816	3498	3498
E2000 41.460 DFVS, DFVLS	06.2000 -	338	460	12816	3498	3498
E2000 41.600 DFVS, DFVLS	06.2000 -	441	600	18273	3498	3498
E2000 50.410 VFAVK, VFAVK-HK, VFAV-G	03.2001 -	301	410	11967	3498	3498
E2000 50.460 VFAVK, VFAV-G, VFAVK-HK	03.2001 -	338	460	12816	3498	3498
EL EL 202,EL 222	01.1993 - 06.1997	157	214	6871	3498	
EL EL 202,EL 222	01.1993 - 06.1997	157	214	6871	3498	3498
EL EL 202,EL 262	04.1994 - 06.1997	184	250	6871	3498	
EL EL 202,EL 262	04.1994 - 06.1997	184	250	6871	3498	3498
EL EL 262	07.1998 - 02.2001	191	260	11967	3498	
EL EL 262	07.1998 - 02.2001	191	260	11967	3498	3498
EL EL 262	07.1998 - 02.2001	191	260	11967	3828	3828
EM EM 192	10.1993 - 06.1997	140	190	6871	3498	
EM EM 192	10.1993 - 06.1997	140	190	6871	3498	3498
EM EM 192	10.1993 - 06.1997	140	190	6871	3828	3828
EM EM 222,EM 223	02.1996 -	162	220	6871	3498	
EM EM 222,EM 223	02.1996 -	162	220	6871	3498	3498
EM EM 222,EM 223	02.1996 -	162	220	6871	3828	3828
EM EM 223	08.1987 -	162	220	6871	3498	
EM EM 223	08.1987 -	162	220	6871	3498	3498
EM EM 223	08.1987 -	162	220	6871	3828	3828
F2000 18.273 F, FL, FLL	06.1994 -	198	269	9973	3497	
F2000 18.273 F, FL, FLL	06.1994 -	198	269	9973	3498	
F2000 18.273 F, FL, FLL	06.1994 -	198	269	9973	3498	3498
F2000 19.233 FC CNG	03.2000 -	170	231	11967	3497	
F2000 19.233 FC CNG	03.2000 -	170	231	11967	3498	
F2000 19.233 FC CNG	03.2000 -	170	231	11967	3498	3498
F2000 19.233 FK, FK-L, CNG	03.2000 -	170	231	11967	3497	
F2000 19.233 FK, FK-L, CNG	03.2000 -	170	231	11967	3498	3498
F2000 19.273 F, FL, FLL	01.1994 -	198	269	9973	3497	
F2000 19.273 F, FL, FLL	01.1994 -	198	269	9973	3498	
F2000 19.273 F, FL, FLL	01.1994 -	198	269	9973	3498	3498
F2000 19.273 FA	01.1994 -	198	269	9973	3497	
F2000 19.273 FA	01.1994 -	198	269	9973	3498	
F2000 19.273 FAK	01.1994 -	198	269	9973	3497	
F2000 19.273 FAK	01.1994 -	198	269	9973	3498	
F2000 19.273 FK	01.1994 -	198	269	9973	3497	
F2000 19.273 FK	01.1994 -	198	269	9973	3498	
F2000 19.273 FS,19.273 FLS	01.1994 - 12.1995	198	269	9973	3497	
F2000 19.273 FS,19.273 FLS	01.1994 - 12.1995	198	269	9973	3498	
F2000 19.273 FS,19.273 FLS	01.1994 - 12.1995	198	269	9973	3498	3498
F2000 19.293 FAC	01.1994 -	213	290	9973	3497	
F2000 19.293 FAC	01.1994 -	213	290	9973	3498	
F2000 19.293 FAK	01.1994 -	213	290	9973	3497	
F2000 19.293 FAK	01.1994 -	213	290	9973	3498	
F2000 19.293 FAS	01.1994 -	213	290	9973	3497	
F2000 19.293 FAS	01.1994 -	213	290	9973	3498	
F2000 19.293 FC,19.293 FLC,19.293 FLLC	01.1994 -	213	290	9973	3497	
F2000 19.293 FC,19.293 FLC,19.293 FLLC	01.1994 -	213	290	9973	3498	
F2000 19.293 FC,19.293 FLC,19.293 FLLC	01.1994 -	213	290	9973	3498	3498
F2000 19.293 FK,19.293 FLK	01.1994 -	213	290	9973	3497	
F2000 19.293 FK,19.293 FLK	01.1994 -	213	290	9973	3498	
F2000 19.293 FS,19.293 FLS,19.293 FLLS	01.1994 -	213	290	9973	3497	
F2000 19.293 FS,19.293 FLS,19.293 FLLS	01.1994 -	213	290	9973	3498	
F2000 19.293 FS,19.293 FLS,19.293 FLLS	01.1994 -	213	290	9973	3498	3498
F2000 19.314 FAC	05.2001 -	228	310	11967	3497	
F2000 19.314 FAC	05.2001 -	228	310	11967	3498	3498
F2000 19.314 FAK, FA-KI, FAK-L	05.2001 -	228	310	11967	3497	
F2000 19.314 FAK, FA-KI, FAK-L	05.2001 -	228	310	11967	3498	3498
F2000 19.314 FAS	06.1998 -	228	310	11967	3497	
F2000 19.314 FAS	06.1998 -	228	310	11967	3498	
F2000 19.314 FC, FLC, FLLC, FLLW, FRC, FLRC, FLLRC, FLL, FLLR, F-N	06.1998 -	228	310	11967	3497	
F2000 19.314 FC, FLC, FLLC, FLLW, FRC, FLRC, FLLRC, FLL, FLLR, F-N	06.1998 -	228	310	11967	3498	
F2000 19.314 FC, FLC, FLLC, FLLW, FRC, FLRC, FLLRC, FLL, FLLR, F-N	06.1998 -	228	310	11967	3498	3498
F2000 19.314 FK, FK-L, F-KI, FL-KI, F-NL, FLK	06.1998 -	228	310	11967	3497	
F2000 19.314 FK, FK-L, F-KI, FL-KI, F-NL, FLK	06.1998 -	228	310	11967	3498	3498

**MAKE & MODEL****YEAR****KW****PS****CC****MAN**

F2000 19.314 FS, FLS, FLLS, FRS, FLRS, FLLRS	06.1998 -	228	310	11967	3497	
F2000 19.314 FS, FLS, FLLS, FRS, FLRS, FLLRS	06.1998 -	228	310	11967	3498	
F2000 19.314 FS, FLS, FLLS, FRS, FLRS, FLLRS	06.1998 -	228	310	11967	3498	3498
F2000 19.323 FAC	01.1994 - 12.1995	235	320	9973	3497	
F2000 19.323 FAC	01.1994 - 12.1995	235	320	9973	3498	
F2000 19.323 FAK	01.1994 - 12.1995	235	320	9973	3497	
F2000 19.323 FAK	01.1994 - 12.1995	235	320	9973	3498	
F2000 19.323 FAS	01.1994 - 12.1995	235	320	9973	3497	
F2000 19.323 FAS	01.1994 - 12.1995	235	320	9973	3498	
F2000 19.323 FC,19.323 FLC,19.323 FLLC	01.1994 - 12.1995	235	320	9973	3497	
F2000 19.323 FC,19.323 FLC,19.323 FLLC	01.1994 - 12.1995	235	320	9973	3498	
F2000 19.323 FC,19.323 FLC,19.323 FLLC	01.1994 - 12.1995	235	320	9973	3498	3498
F2000 19.323 FK,19.323 FLK	01.1994 - 12.1995	235	320	9973	3497	
F2000 19.323 FK,19.323 FLK	01.1994 - 12.1995	235	320	9973	3498	
F2000 19.323 FS,19.323 FLS,19.323 FLLS	01.1994 - 12.1995	235	320	9973	3497	
F2000 19.323 FS,19.323 FLS,19.323 FLLS	01.1994 - 12.1995	235	320	9973	3498	
F2000 19.323 FS,19.323 FLS,19.323 FLLS	01.1994 - 12.1995	235	320	9973	3498	3498
F2000 19.343 FAC	01.1994 -	250	340	9973	3497	
F2000 19.343 FAC	01.1994 -	250	340	9973	3498	
F2000 19.343 FAK	01.1994 -	250	340	9973	3497	
F2000 19.343 FAK	01.1994 -	250	340	9973	3498	
F2000 19.343 FAS	01.1994 -	250	340	9973	3497	
F2000 19.343 FAS	01.1994 -	250	340	9973	3498	
F2000 19.343 FC,19.343 FLC,19.343 FLLC	01.1994 -	250	340	9973	3497	
F2000 19.343 FC,19.343 FLC,19.343 FLLC	01.1994 -	250	340	9973	3498	
F2000 19.343 FC,19.343 FLC,19.343 FLLC	01.1994 -	250	340	9973	3498	3498
F2000 19.343 FK,19.343 FLK	01.1994 -	250	340	9973	3497	
F2000 19.343 FK,19.343 FLK	01.1994 -	250	340	9973	3498	
F2000 19.343 FS,19.343 FLS,19.343 FLLS	01.1994 -	250	340	9973	3497	
F2000 19.343 FS,19.343 FLS,19.343 FLLS	01.1994 -	250	340	9973	3498	
F2000 19.343 FS,19.343 FLS,19.343 FLLS	01.1994 -	250	340	9973	3498	3498
F2000 19.364 FAC	06.1998 -	265	360	11967	3497	
F2000 19.364 FAC	06.1998 -	265	360	11967	3498	
F2000 19.364 FAK, FA-KI, FAK-L	06.1998 -	265	360	11967	3497	
F2000 19.364 FAK, FA-KI, FAK-L	06.1998 -	265	360	11967	3498	3498
F2000 19.364 FAS	06.1998 -	265	360	11967	3497	
F2000 19.364 FAS	06.1998 -	265	360	11967	3498	
F2000 19.364 FC, FLC, FLLC, FLLW, FRC, FLRC, FLLRC, FLL, FLLR, F-N	06.1998 -	265	360	11967	3497	
F2000 19.364 FC, FLC, FLLC, FLLW, FRC, FLRC, FLLRC, FLL, FLLR, F-N	06.1998 -	265	360	11967	3498	
F2000 19.364 FC, FLC, FLLC, FLLW, FRC, FLRC, FLLRC, FLL, FLLR, F-N	06.1998 -	265	360	11967	3498	3498
F2000 19.364 FK, FK-L, F-KI, FL-KI, F-NL, FLK	06.1998 -	265	360	11967	3497	
F2000 19.364 FK, FK-L, F-KI, FL-KI, F-NL, FLK	06.1998 -	265	360	11967	3498	3498
F2000 19.364 FS, FLS, FLLS, FRS, FLRS, FLLRS	06.1998 -	265	360	11967	3497	
F2000 19.364 FS, FLS, FLLS, FRS, FLRS, FLLRS	06.1998 -	265	360	11967	3498	
F2000 19.364 FS, FLS, FLLS, FRS, FLRS, FLLRS	06.1998 -	265	360	11967	3498	3498
F2000 19.373 FAC	01.1994 -	272	370	11967	3497	
F2000 19.373 FAC	01.1994 -	272	370	11967	3498	
F2000 19.373 FAK, FA-KI, FAK-L	01.1994 -	272	370	11967	3497	
F2000 19.373 FAK, FA-KI, FAK-L	01.1994 -	272	370	11967	3498	
F2000 19.373 FAS	01.1994 -	272	370	11967	3497	
F2000 19.373 FAS	01.1994 -	272	370	11967	3498	
F2000 19.373 FC, FLC, FLLC, FRC, FLRC, F-NL	01.1994 -	272	370	11967	3497	
F2000 19.373 FC, FLC, FLLC, FRC, FLRC, F-NL	01.1994 -	272	370	11967	3498	
F2000 19.373 FC, FLC, FLLC, FRC, FLRC, F-NL	01.1994 -	272	370	11967	3498	3498
F2000 19.373 FK, FK-L, F-KI, FL-KI, F-NL, FLK	01.1994 -	272	370	11967	3497	
F2000 19.373 FK, FK-L, F-KI, FL-KI, F-NL, FLK	01.1994 -	272	370	11967	3498	
F2000 19.373 FS, FLS, FLLS, FRS, FLRS, FLLRS	01.1994 -	272	370	11967	3497	
F2000 19.373 FS, FLS, FLLS, FRS, FLRS, FLLRS	01.1994 -	272	370	11967	3498	
F2000 19.373 FS, FLS, FLLS, FRS, FLRS, FLLRS	01.1994 -	272	370	11967	3498	3498
F2000 19.403 FAC	01.1994 -	294	400	11967	3497	
F2000 19.403 FAC	01.1994 -	294	400	11967	3498	
F2000 19.403 FAK, FA-KI	01.1994 -	294	400	11967	3497	
F2000 19.403 FAK, FA-KI	01.1994 -	294	400	11967	3498	
F2000 19.403 FAS	01.1994 -	294	400	11967	3497	
F2000 19.403 FAS	01.1994 -	294	400	11967	3498	
F2000 19.403 FC, FLC, FLLC, FRC, FLRC, F-NL	01.1994 -	294	400	11967	3497	
F2000 19.403 FC, FLC, FLLC, FRC, FLRC, F-NL	01.1994 -	294	400	11967	3498	

**MAKE & MODEL****YEAR****KW****PS****CC****MAN**

F2000 19.403 FC, FLC, FLLC, FRC, FLRC, F-NL	01.1994 -	294	400	11967	3498	3498
F2000 19.403 FK, F-KI, FK-L, FLK, FL-KI, F-NL	01.1994 -	294	400	11967	3497	
F2000 19.403 FK, F-KI, FK-L, FLK, FL-KI, F-NL	01.1994 -	294	400	11967	3498	
F2000 19.403 FS, FLS, FLLS, FRS, FLRS, FLLRS	01.1994 -	294	400	11967	3497	
F2000 19.403 FS, FLS, FLLS, FRS, FLRS, FLLRS	01.1994 -	294	400	11967	3498	
F2000 19.403 FS, FLS, FLLS, FRS, FLRS, FLLRS	01.1994 -	294	400	11967	3498	3498
F2000 19.414 FAC	06.1998 -	301	409	11967	3497	
F2000 19.414 FAC	06.1998 -	301	409	11967	3498	
F2000 19.414 FAK, FA-KI, FAK-L	06.1998 -	301	409	11967	3497	
F2000 19.414 FAK, FA-KI, FAK-L	06.1998 -	301	409	11967	3498	3498
F2000 19.414 FAS	06.1998 -	301	409	11967	3497	
F2000 19.414 FAS	06.1998 -	301	409	11967	3498	
F2000 19.414 FC, FLC, FLLC, FRC, FLRC, FLLRC, FLL, FLLR, F-NL	06.1998 -	301	409	11967	3497	
F2000 19.414 FC, FLC, FLLC, FRC, FLRC, FLLRC, FLL, FLLR, F-NL	06.1998 -	301	409	11967	3498	
F2000 19.414 FC, FLC, FLLC, FRC, FLRC, FLLRC, FLL, FLLR, F-NL	06.1998 -	301	409	11967	3498	3498
F2000 19.414 FK, F-KI, FK-L, FLK, FL-KI, F-NL	06.1998 -	301	409	11967	3497	
F2000 19.414 FK, F-KI, FK-L, FLK, FL-KI, F-NL	06.1998 -	301	409	11967	3498	3498
F2000 19.414 FS, FLS, FLLS, FRS, FLRS, FLLRS	06.1998 -	301	409	11967	3497	
F2000 19.414 FS, FLS, FLLS, FRS, FLRS, FLLRS	06.1998 -	301	409	11967	3498	
F2000 19.414 FS, FLS, FLLS, FRS, FLRS, FLLRS	06.1998 -	301	409	11967	3498	3498
F2000 19.423 FAC	01.1994 - 12.1995	309	420	11967	3497	
F2000 19.423 FAC	01.1994 - 12.1995	309	420	11967	3498	
F2000 19.423 FAK, FA-KI	01.1994 -	309	420	11967	3497	
F2000 19.423 FAK, FA-KI	01.1994 -	309	420	11967	3498	
F2000 19.423 FAS	01.1994 - 12.1995	309	420	11967	3497	
F2000 19.423 FAS	01.1994 - 12.1995	309	420	11967	3498	
F2000 19.423 FC, FLC, FLLC, F-NL	01.1994 -	309	420	11967	3497	
F2000 19.423 FC, FLC, FLLC, F-NL	01.1994 -	309	420	11967	3498	
F2000 19.423 FC, FLC, FLLC, F-NL	01.1994 -	309	420	11967	3498	3498
F2000 19.423 FK, F-KI, FK-L, FLK, FL-KI, F-NL	01.1994 -	309	420	11967	3497	
F2000 19.423 FK, F-KI, FK-L, FLK, FL-KI, F-NL	01.1994 -	309	420	11967	3498	
F2000 19.423 FS, FLS, FLLS	01.1994 -	309	420	11967	3497	
F2000 19.423 FS, FLS, FLLS	01.1994 -	309	420	11967	3498	
F2000 19.423 FS, FLS, FLLS	01.1994 -	309	420	11967	3498	3498
F2000 19.463 FAC	01.1994 -	338	460	12816	3497	
F2000 19.463 FAC	01.1994 -	338	460	12816	3498	
F2000 19.463 FAK, FA-KI, FAK-L	01.1994 -	338	460	12816	3497	
F2000 19.463 FAK, FA-KI, FAK-L	01.1994 -	338	460	12816	3498	
F2000 19.463 FAS	01.1994 -	338	460	12816	3497	
F2000 19.463 FAS	01.1994 -	338	460	12816	3498	
F2000 19.463 FC, FLC, FLLC, FRC, FLRC, F-NL	01.1994 -	338	460	12816	3497	
F2000 19.463 FC, FLC, FLLC, FRC, FLRC, F-NL	01.1994 -	338	460	12816	3498	
F2000 19.463 FC, FLC, FLLC, FRC, FLRC, F-NL	01.1994 -	338	460	12816	3498	3498
F2000 19.463 FK, F-KI, FK-L, FLK, FL-KI, F-NL	01.1994 -	338	460	12816	3497	
F2000 19.463 FK, F-KI, FK-L, FLK, FL-KI, F-NL	01.1994 -	338	460	12816	3498	
F2000 19.463 FS, FLS, FLLS, FRS, FLRS, FLLRS	01.1994 -	338	460	12816	3497	
F2000 19.463 FS, FLS, FLLS, FRS, FLRS, FLLRS	01.1994 -	338	460	12816	3498	
F2000 19.463 FS, FLS, FLLS, FRS, FLRS, FLLRS	01.1994 -	338	460	12816	3498	3498
F2000 19.464 FAC	06.1998 -	338	460	12816	3497	
F2000 19.464 FAC	06.1998 -	338	460	12816	3498	3498
F2000 19.464 FAK, FA-KI, FAK-L	06.1998 -	338	460	12816	3497	
F2000 19.464 FAK, FA-KI, FAK-L	06.1998 -	338	460	12816	3498	3498
F2000 19.464 FAS	06.1998 -	338	460	12816	3497	
F2000 19.464 FAS	06.1998 -	338	460	12816	3498	
F2000 19.464 FC, FLC, FLLC, FLL, FRC, FLLR, FLLRC, FLLW, F-NL	06.1998 -	338	460	12816	3497	
F2000 19.464 FC, FLC, FLLC, FLL, FRC, FLLR, FLLRC, FLLW, F-NL	06.1998 -	338	460	12816	3498	
F2000 19.464 FC, FLC, FLLC, FLL, FRC, FLLR, FLLRC, FLLW, F-NL	06.1998 -	338	460	12816	3498	3498
F2000 19.464 FK, F-KI, FK-L, FLK, FL-KI, F-NL	06.1998 -	338	460	12816	3497	
F2000 19.464 FK, F-KI, FK-L, FLK, FL-KI, F-NL	06.1998 -	338	460	12816	3498	3498
F2000 19.464 FS, FLS, FLLS, FRS, FLRS, FLLRS	06.1998 -	338	460	12816	3497	
F2000 19.464 FS, FLS, FLLS, FRS, FLRS, FLLRS	06.1998 -	338	460	12816	3498	
F2000 19.464 FS, FLS, FLLS, FRS, FLRS, FLLRS	06.1998 -	338	460	12816	3498	3498
F2000 19.603 FLS, 19604 FLS	04.1996 -	441	600	18273	3497	
F2000 19.603 FLS, 19604 FLS	04.1996 -	441	600	18273	3498	
F2000 19.603 FLS, 19604 FLS	04.1996 -	441	600	18273	3498	3498
F2000 23.293 FNLLC	01.1994 -	213	290	9973	3497	
F2000 23.293 FNLLC	01.1994 -	213	290	9973	3498	

**MAKE & MODEL****YEAR****KW****PS****CC****MAN**

F2000 23.293 FNLLC	01.1994 -	213	290	9973	3498	3498
F2000 23.314 FNLLC	05.2001 -	228	310	11967	3497	
F2000 23.314 FNLLC	05.2001 -	228	310	11967	3498	
F2000 23.314 FNLLC	05.2001 -	228	310	11967	3498	3498
F2000 23.343 FNLLC	01.1994 -	250	340	9973	3497	
F2000 23.343 FNLLC	01.1994 -	250	340	9973	3498	
F2000 23.343 FNLLC	01.1994 -	250	340	9973	3498	3498
F2000 23.364 FNLLC	05.2001 -	265	360	11967	3497	
F2000 23.364 FNLLC	05.2001 -	265	360	11967	3498	
F2000 23.364 FNLLC	05.2001 -	265	360	11967	3498	3498
F2000 23.403 FNLLC	01.1994 -	294	400	11967	3497	
F2000 23.403 FNLLC	01.1994 -	294	400	11967	3498	
F2000 23.403 FNLLC	01.1994 -	294	400	11967	3498	3498
F2000 23.414 FNLLC	05.2001 -	301	409	11967	3497	
F2000 23.414 FNLLC	05.2001 -	301	409	11967	3498	
F2000 23.414 FNLLC	05.2001 -	301	409	11967	3498	3498
F2000 23.463 FNLLC	01.1994 -	338	460	12816	3497	
F2000 23.463 FNLLC	01.1994 -	338	460	12816	3498	
F2000 23.463 FNLLC	01.1994 -	338	460	12816	3498	3498
F2000 23.464 FNLLC	05.2001 -	338	460	12816	3497	
F2000 23.464 FNLLC	05.2001 -	338	460	12816	3498	
F2000 23.464 FNLLC	05.2001 -	338	460	12816	3498	3498
F2000 24.273 FNLLC	01.1994 - 12.1995	198	269	9973	3497	
F2000 24.273 FNLLC	01.1994 - 12.1995	198	269	9973	3498	
F2000 24.293 FNLLC	01.1994 -	213	290	9973	3497	
F2000 24.293 FNLLC	01.1994 -	213	290	9973	3498	
F2000 24.314 FNLLRC	05.2001 -	228	310	11967	3497	
F2000 24.314 FNLLRC	05.2001 -	228	310	11967	3498	3498
F2000 24.323 FNLLC	01.1994 - 12.1995	235	320	9973	3497	
F2000 24.323 FNLLC	01.1994 - 12.1995	235	320	9973	3498	
F2000 24.343 FNLLC	01.1994 -	250	340	9973	3497	
F2000 24.343 FNLLC	01.1994 -	250	340	9973	3498	
F2000 24.364 FNLLRC	05.2001 -	265	360	11967	3497	
F2000 24.364 FNLLRC	05.2001 -	265	360	11967	3498	3498
F2000 24.373 FNLLC	01.1994 - 12.1995	272	370	11967	3497	
F2000 24.373 FNLLC	01.1994 - 12.1995	272	370	11967	3498	
F2000 24.403 FNLLC	01.1994 -	294	400	11967	3497	
F2000 24.403 FNLLC	01.1994 -	294	400	11967	3498	
F2000 24.414 FNLLRC	05.2001 -	301	409	11967	3497	
F2000 24.414 FNLLRC	05.2001 -	301	409	11967	3498	3498
F2000 24.423 FNLLC	01.1994 - 12.1995	309	420	11967	3497	
F2000 24.423 FNLLC	01.1994 - 12.1995	309	420	11967	3498	
F2000 24.463 FNLLC	01.1994 -	338	460	12816	3497	
F2000 24.463 FNLLC	01.1994 -	338	460	12816	3498	
F2000 24.464 FNLLRC	05.2001 -	338	460	12816	3497	
F2000 24.464 FNLLRC	05.2001 -	338	460	12816	3498	3498
F2000 26.233 FVLC CNG	09.1996 -	170	231	11967	3497	
F2000 26.233 FVLC CNG	09.1996 -	170	231	11967	3498	
F2000 26.233 FVLC CNG	09.1996 -	170	231	11967	3498	3498
F2000 26.233 FVL-KO	03.2000 -	170	231	11967	3497	
F2000 26.233 FVL-KO	03.2000 -	170	231	11967	3498	
F2000 26.233 FVL-KO	03.2000 -	170	231	11967	3498	3498
F2000 26.273 DFC,26.273 DFLC	01.1994 - 12.1995	198	269	9973	3497	
F2000 26.273 DFC,26.273 DFLC	01.1994 - 12.1995	198	269	9973	3498	
F2000 26.273 DFC,26.273 DFLC	01.1994 - 12.1995	198	269	9973	3498	3498
F2000 26.273 DFK,26.273 DFLK	01.1994 - 12.1995	198	269	9973	3497	
F2000 26.273 DFK,26.273 DFLK	01.1994 - 12.1995	198	269	9973	3498	
F2000 26.273 DFS,26.273 DFSL	01.1994 - 12.1995	198	269	9973	3497	
F2000 26.273 DFS,26.273 DFSL	01.1994 - 12.1995	198	269	9973	3498	
F2000 26.273 DFS,26.273 DFSL	01.1994 - 12.1995	198	269	9973	3498	3498
F2000 26.273 FNLC,26.273 FNLLC,26.273 FVLC	01.1994 - 12.1995	198	269	9973	3497	
F2000 26.273 FNLC,26.273 FNLLC,26.273 FVLC	01.1994 - 12.1995	198	269	9973	3498	
F2000 26.273 FNLC,26.273 FNLLC,26.273 FVLC	01.1994 - 12.1995	198	269	9973	3498	3498
F2000 26.273 FNLS,26.273 FVLS	01.1994 - 12.1995	198	269	9973	3497	
F2000 26.273 FNLS,26.273 FVLS	01.1994 - 12.1995	198	269	9973	3498	
F2000 26.273 FNLS,26.273 FVLS	01.1994 - 12.1995	198	269	9973	3498	3498
F2000 26.293 DFC,26.293 DFLC	01.1994 -	213	290	9973	3497	



**MAKE & MODEL****YEAR****KW****PS****CC****MAN**

F2000 26.293 DFC,26.293 DFCL	01.1994 -	213	290	9973	3498	
F2000 26.293 DFC,26.293 DFCL	01.1994 -	213	290	9973	3498	3498
F2000 26.293 DFK,26.293 DFLK	01.1994 -	213	290	9973	3497	
F2000 26.293 DFK,26.293 DFLK	01.1994 -	213	290	9973	3498	
F2000 26.293 DFS,26.293 DFSL	01.1994 -	213	290	9973	3497	
F2000 26.293 DFS,26.293 DFSL	01.1994 -	213	290	9973	3498	
F2000 26.293 DFS,26.293 DFSL	01.1994 -	213	290	9973	3498	3498
F2000 26.293 FNLC,26.293 FNLLC,26.293 FVLC	01.1994 -	213	290	9973	3497	
F2000 26.293 FNLC,26.293 FNLLC,26.293 FVLC	01.1994 -	213	290	9973	3498	
F2000 26.293 FNLC,26.293 FNLLC,26.293 FVLC	01.1994 -	213	290	9973	3498	3498
F2000 26.293 FNLS,26.293 FVLS	01.1994 -	213	290	9973	3497	
F2000 26.293 FNLS,26.293 FVLS	01.1994 -	213	290	9973	3498	
F2000 26.293 FNLS,26.293 FVLS	01.1994 -	213	290	9973	3498	3498
F2000 26.314 DFC, DFCL	05.2001 -	228	310	11967	3497	
F2000 26.314 DFC, DFCL	05.2001 -	228	310	11967	3498	
F2000 26.314 DFC, DFCL	05.2001 -	228	310	11967	3498	3498
F2000 26.314 DFK, DFLK, DFLK-L	05.2001 -	228	310	11967	3497	
F2000 26.314 DFK, DFLK, DFLK-L	05.2001 -	228	310	11967	3498	3498
F2000 26.314 DFS, DFSL	05.2001 -	228	310	11967	3497	
F2000 26.314 DFS, DFSL	05.2001 -	228	310	11967	3498	
F2000 26.314 DFS, DFSL	05.2001 -	228	310	11967	3498	3498
F2000 26.314 DF-TM	05.2001 -	228	310	11967	3497	
F2000 26.314 DF-TM	05.2001 -	228	310	11967	3498	3498
F2000 26.314 FNLC, FNLLC, FNLLRC, FNLLW, FNLRC, FNLLRC, FVLC	05.2001 -	228	310	11967	3497	
F2000 26.314 FNLC, FNLLC, FNLLRC, FNLLW, FNLRC, FNLLRC, FVLC	05.2001 -	228	310	11967	3498	
F2000 26.314 FNLC, FNLLC, FNLLRC, FNLLW, FNLRC, FNLLRC, FVLC	05.2001 -	228	310	11967	3498	3498
F2000 26.314 FNLS	05.2001 -	228	310	11967	3497	
F2000 26.314 FNLS	05.2001 -	228	310	11967	3498	
F2000 26.314 FNLS	05.2001 -	228	310	11967	3498	3498
F2000 26.314 FVL-KO	05.2001 -	228	310	11967	3497	
F2000 26.314 FVL-KO	05.2001 -	228	310	11967	3498	
F2000 26.314 FVL-KO	05.2001 -	228	310	11967	3498	3498
F2000 26.314 FVLS, FVLS	05.2001 -	228	310	11967	3497	
F2000 26.314 FVLS, FVLS	05.2001 -	228	310	11967	3498	
F2000 26.314 FVLS, FVLS	05.2001 -	228	310	11967	3498	3498
F2000 26.323 DFC,26.323 DFCL	01.1994 - 12.1995	235	320	9973	3497	
F2000 26.323 DFC,26.323 DFCL	01.1994 - 12.1995	235	320	9973	3498	
F2000 26.323 DFC,26.323 DFCL	01.1994 - 12.1995	235	320	9973	3498	3498
F2000 26.323 DFK,26.323 DFLK	01.1994 - 12.1995	235	320	9973	3497	
F2000 26.323 DFK,26.323 DFLK	01.1994 - 12.1995	235	320	9973	3498	
F2000 26.323 DFS,26.323 DFSL	01.1994 - 12.1995	235	320	9973	3497	
F2000 26.323 DFS,26.323 DFSL	01.1994 - 12.1995	235	320	9973	3498	
F2000 26.323 DFS,26.323 DFSL	01.1994 - 12.1995	235	320	9973	3498	3498
F2000 26.323 FNLC,26.323 FNLLC,26.323 FVLC	01.1994 - 12.1995	235	320	9973	3497	
F2000 26.323 FNLC,26.323 FNLLC,26.323 FVLC	01.1994 - 12.1995	235	320	9973	3498	
F2000 26.323 FNLC,26.323 FNLLC,26.323 FVLC	01.1994 - 12.1995	235	320	9973	3498	3498
F2000 26.323 FNLS,26.323 FVLS	01.1994 - 12.1995	235	320	9973	3497	
F2000 26.323 FNLS,26.323 FVLS	01.1994 - 12.1995	235	320	9973	3498	
F2000 26.323 FNLS,26.323 FVLS	01.1994 - 12.1995	235	320	9973	3498	3498
F2000 26.343 DFC,26.343 DFCL	01.1994 -	250	340	9973	3497	
F2000 26.343 DFC,26.343 DFCL	01.1994 -	250	340	9973	3498	
F2000 26.343 DFC,26.343 DFCL	01.1994 -	250	340	9973	3498	3498
F2000 26.343 DFK,26.343 DFLK	01.1994 -	250	340	9973	3497	
F2000 26.343 DFK,26.343 DFLK	01.1994 -	250	340	9973	3498	
F2000 26.343 DFS,26.343 DFSL	01.1994 -	250	340	9973	3497	
F2000 26.343 DFS,26.343 DFSL	01.1994 -	250	340	9973	3498	
F2000 26.343 DFS,26.343 DFSL	01.1994 -	250	340	9973	3498	3498
F2000 26.343 FNLC,26.343 FNLLC,26.343 FVLC	01.1994 -	250	340	9973	3497	
F2000 26.343 FNLC,26.343 FNLLC,26.343 FVLC	01.1994 -	250	340	9973	3498	
F2000 26.343 FNLC,26.343 FNLLC,26.343 FVLC	01.1994 -	250	340	9973	3498	3498
F2000 26.343 FNLS,26.343 FVLS	01.1994 -	250	340	9973	3497	
F2000 26.343 FNLS,26.343 FVLS	01.1994 -	250	340	9973	3498	
F2000 26.343 FNLS,26.343 FVLS	01.1994 -	250	340	9973	3498	3498
F2000 26.364 DFC, DFCL	05.2001 -	265	360	11967	3497	
F2000 26.364 DFC, DFCL	05.2001 -	265	360	11967	3498	
F2000 26.364 DFC, DFCL	05.2001 -	265	360	11967	3498	3498
F2000 26.364 DFK, DFLK, DFLK-L	05.2001 -	265	360	11967	3497	



**MAKE & MODEL****YEAR****KW****PS****CC****MAN**

F2000 26.364 DFK, DFLK, DFLK-L	05.2001 -	265	360	11967	3498	3498
F2000 26.364 DFS, DFSL	05.2001 -	265	360	11967	3497	
F2000 26.364 DFS, DFSL	05.2001 -	265	360	11967	3498	
F2000 26.364 DFS, DFSL	05.2001 -	265	360	11967	3498	3498
F2000 26.364 DF-TM	05.2001 -	265	360	11967	3497	
F2000 26.364 DF-TM	05.2001 -	265	360	11967	3498	3498
F2000 26.364 FNLC, FNLLC, FNLLRC, FNLLW, FNLR, FNLLRC, FVLC	05.2001 -	265	360	11967	3497	
F2000 26.364 FNLC, FNLLC, FNLLRC, FNLLW, FNLR, FNLLRC, FVLC	05.2001 -	265	360	11967	3498	
F2000 26.364 FNLC, FNLLC, FNLLRC, FNLLW, FNLR, FNLLRC, FVLC	05.2001 -	265	360	11967	3498	3498
F2000 26.364 FNLS	05.2001 -	265	360	11967	3497	
F2000 26.364 FNLS	05.2001 -	265	360	11967	3498	
F2000 26.364 FNLS	05.2001 -	265	360	11967	3498	3498
F2000 26.364 FVL-KO	05.2001 -	265	360	11967	3497	
F2000 26.364 FVL-KO	05.2001 -	265	360	11967	3498	
F2000 26.364 FVL-KO	05.2001 -	265	360	11967	3498	3498
F2000 26.364 FVLS, FVLR	05.2001 -	265	360	11967	3497	
F2000 26.364 FVLS, FVLR	05.2001 -	265	360	11967	3498	
F2000 26.364 FVLS, FVLR	05.2001 -	265	360	11967	3498	3498
F2000 26.373 DFC,26.373 DFCL	01.1994 - 12.1995	272	370	11967	3497	
F2000 26.373 DFC,26.373 DFCL	01.1994 - 12.1995	272	370	11967	3498	
F2000 26.373 DFC,26.373 DFCL	01.1994 - 12.1995	272	370	11967	3498	3498
F2000 26.373 DFK,26.373 DFLK	01.1994 - 12.1995	272	370	11967	3497	
F2000 26.373 DFK,26.373 DFLK	01.1994 - 12.1995	272	370	11967	3498	
F2000 26.373 DFS,26.373 DFSL	01.1994 - 12.1995	272	370	11967	3497	
F2000 26.373 DFS,26.373 DFSL	01.1994 - 12.1995	272	370	11967	3498	
F2000 26.373 DFS,26.373 DFSL	01.1994 - 12.1995	272	370	11967	3498	3498
F2000 26.373 FNLC,26.373 FNLLC,26.373 FVLC	01.1994 - 12.1995	272	370	11967	3497	
F2000 26.373 FNLC,26.373 FNLLC,26.373 FVLC	01.1994 - 12.1995	272	370	11967	3498	
F2000 26.373 FNLC,26.373 FNLLC,26.373 FVLC	01.1994 - 12.1995	272	370	11967	3498	3498
F2000 26.373 FNLS,26.373 FVLS	01.1994 - 12.1995	272	370	11967	3497	
F2000 26.373 FNLS,26.373 FVLS	01.1994 - 12.1995	272	370	11967	3498	
F2000 26.373 FNLS,26.373 FVLS	01.1994 - 12.1995	272	370	11967	3498	3498
F2000 26.403 DFC,26.403 DFCL	01.1994 -	294	400	11967	3497	
F2000 26.403 DFC,26.403 DFCL	01.1994 -	294	400	11967	3498	
F2000 26.403 DFC,26.403 DFCL	01.1994 -	294	400	11967	3498	3498
F2000 26.403 DFK,26.403 DFLK	01.1994 -	294	400	11967	3497	
F2000 26.403 DFK,26.403 DFLK	01.1994 -	294	400	11967	3498	
F2000 26.403 DFS,26.403 DFSL	01.1994 -	294	400	11967	3497	
F2000 26.403 DFS,26.403 DFSL	01.1994 -	294	400	11967	3498	
F2000 26.403 DFS,26.403 DFSL	01.1994 -	294	400	11967	3498	3498
F2000 26.403 FNLC,26.403 FNLLC,26.403 FVLC	01.1994 -	294	400	11967	3497	
F2000 26.403 FNLC,26.403 FNLLC,26.403 FVLC	01.1994 -	294	400	11967	3498	
F2000 26.403 FNLC,26.403 FNLLC,26.403 FVLC	01.1994 -	294	400	11967	3498	3498
F2000 26.403 FNLS,26.403 FVLS	01.1994 -	294	400	11967	3497	
F2000 26.403 FNLS,26.403 FVLS	01.1994 -	294	400	11967	3498	
F2000 26.403 FNLS,26.403 FVLS	01.1994 -	294	400	11967	3498	3498
F2000 26.414 DFC, DFCL	05.2001 -	301	409	11967	3497	
F2000 26.414 DFC, DFCL	05.2001 -	301	409	11967	3498	
F2000 26.414 DFC, DFCL	05.2001 -	301	409	11967	3498	3498
F2000 26.414 DFK, DFLK, DFLK-L	05.2001 -	301	409	11967	3497	
F2000 26.414 DFK, DFLK, DFLK-L	05.2001 -	301	409	11967	3498	3498
F2000 26.414 DFS, DFSL	05.2001 -	301	409	11967	3497	
F2000 26.414 DFS, DFSL	05.2001 -	301	409	11967	3498	
F2000 26.414 DFS, DFSL	05.2001 -	301	409	11967	3498	3498
F2000 26.414 DF-TM	05.2001 -	301	409	11967	3497	
F2000 26.414 DF-TM	05.2001 -	301	409	11967	3498	3498
F2000 26.414 FNLC, FNLLC, FNLLRC, FNLLW, FNLR, FNLLRC, FVLC	05.2001 -	301	409	11967	3497	
F2000 26.414 FNLC, FNLLC, FNLLRC, FNLLW, FNLR, FNLLRC, FVLC	05.2001 -	301	409	11967	3498	
F2000 26.414 FNLC, FNLLC, FNLLRC, FNLLW, FNLR, FNLLRC, FVLC	05.2001 -	301	409	11967	3498	3498
F2000 26.414 FNLS	05.2001 -	301	409	11967	3497	
F2000 26.414 FNLS	05.2001 -	301	409	11967	3498	
F2000 26.414 FNLS	05.2001 -	301	409	11967	3498	3498
F2000 26.414 FVL-KO	05.2001 -	301	409	11967	3497	
F2000 26.414 FVL-KO	05.2001 -	301	409	11967	3498	
F2000 26.414 FVL-KO	05.2001 -	301	409	11967	3498	3498
F2000 26.414 FVLS, FVLR	05.2001 -	301	409	11967	3497	
F2000 26.414 FVLS, FVLR	05.2001 -	301	409	11967	3498	

**MAKE & MODEL****YEAR****KW****PS****CC****MAN**

F2000 26.414 FVLS, FVLR	05.2001 -	301	409	11967	3498	3498
F2000 26.423 DFC,26.423 DFCL	01.1994 - 12.1995	309	420	11967	3497	
F2000 26.423 DFC,26.423 DFCL	01.1994 - 12.1995	309	420	11967	3498	
F2000 26.423 DFC,26.423 DFCL	01.1994 - 12.1995	309	420	11967	3498	3498
F2000 26.423 DFK,26.423 DFLK	01.1994 - 12.1995	309	420	11967	3497	
F2000 26.423 DFK,26.423 DFLK	01.1994 - 12.1995	309	420	11967	3498	
F2000 26.423 DFS,26.423 DFSL	01.1994 - 12.1995	309	420	11967	3497	
F2000 26.423 DFS,26.423 DFSL	01.1994 - 12.1995	309	420	11967	3498	
F2000 26.423 DFS,26.423 DFSL	01.1994 - 12.1995	309	420	11967	3498	3498
F2000 26.423 FNLC,26.423 FNLLC,26.423 FVLC	01.1994 - 12.1995	309	420	11967	3497	
F2000 26.423 FNLC,26.423 FNLLC,26.423 FVLC	01.1994 - 12.1995	309	420	11967	3498	
F2000 26.423 FNLC,26.423 FNLLC,26.423 FVLC	01.1994 - 12.1995	309	420	11967	3498	3498
F2000 26.423 FNLS,26.423 FVLS	01.1994 - 12.1995	309	420	11967	3497	
F2000 26.423 FNLS,26.423 FVLS	01.1994 - 12.1995	309	420	11967	3498	
F2000 26.423 FNLS,26.423 FVLS	01.1994 - 12.1995	309	420	11967	3498	3498
F2000 26.463 DFC, DFCL	01.1994 -	338	460	12816	3497	
F2000 26.463 DFC, DFCL	01.1994 -	338	460	12816	3498	
F2000 26.463 DFC, DFCL	01.1994 -	338	460	12816	3498	3498
F2000 26.463 DFK, DFLK, DFLK-L	01.1994 -	338	460	12816	3497	
F2000 26.463 DFK, DFLK, DFLK-L	01.1994 -	338	460	12816	3498	
F2000 26.463 DFS, DFSL	01.1994 -	338	460	12816	3497	
F2000 26.463 DFS, DFSL	01.1994 -	338	460	12816	3498	
F2000 26.463 DFS, DFSL	01.1994 -	338	460	12816	3498	3498
F2000 26.463 FNLC, FNLLC, FNLLRC, FNLLW, FNLRC, FNLLRC, FVLC	01.1994 -	338	460	12816	3497	
F2000 26.463 FNLC, FNLLC, FNLLRC, FNLLW, FNLRC, FNLLRC, FVLC	01.1994 -	338	460	12816	3498	
F2000 26.463 FNLC, FNLLC, FNLLRC, FNLLW, FNLRC, FNLLRC, FVLC	01.1994 -	338	460	12816	3498	3498
F2000 26.463 FNLS, FVLS, FVLR	01.1994 -	338	460	12816	3497	
F2000 26.463 FNLS, FVLS, FVLR	01.1994 -	338	460	12816	3498	
F2000 26.463 FNLS, FVLS, FVLR	01.1994 -	338	460	12816	3498	3498
F2000 26.464 DFC, DFCL	05.2001 -	338	460	12816	3497	
F2000 26.464 DFC, DFCL	05.2001 -	338	460	12816	3498	
F2000 26.464 DFC, DFCL	05.2001 -	338	460	12816	3498	3498
F2000 26.464 DFK, DFLK, DFLK-L	05.2001 -	338	460	12816	3497	
F2000 26.464 DFK, DFLK, DFLK-L	05.2001 -	338	460	12816	3498	
F2000 26.464 DFS, DFSL	05.2001 -	338	460	12816	3497	
F2000 26.464 DFS, DFSL	05.2001 -	338	460	12816	3498	
F2000 26.464 DFS, DFSL	05.2001 -	338	460	12816	3498	3498
F2000 26.464 DF-TM	05.2001 -	338	460	12816	3497	
F2000 26.464 DF-TM	05.2001 -	338	460	12816	3498	
F2000 26.464 DF-TM	05.2001 -	338	460	12816	3498	3498
F2000 26.464 FNLC, FNLLC, FNLLRC, FNLLW, FNLRC, FNLLRC, FVLC	05.2001 -	338	460	12816	3497	
F2000 26.464 FNLC, FNLLC, FNLLRC, FNLLW, FNLRC, FNLLRC, FVLC	05.2001 -	338	460	12816	3498	
F2000 26.464 FNLC, FNLLC, FNLLRC, FNLLW, FNLRC, FNLLRC, FVLC	05.2001 -	338	460	12816	3498	3498
F2000 26.464 FNLS	05.2001 -	338	460	12816	3497	
F2000 26.464 FNLS	05.2001 -	338	460	12816	3498	
F2000 26.464 FNLS	05.2001 -	338	460	12816	3498	3498
F2000 26.464 FVL-KO	05.2001 -	338	460	12816	3497	
F2000 26.464 FVL-KO	05.2001 -	338	460	12816	3498	
F2000 26.464 FVL-KO	05.2001 -	338	460	12816	3498	3498
F2000 26.464 FVLS, FVLR	05.2001 -	338	460	12816	3497	
F2000 26.464 FVLS, FVLR	05.2001 -	338	460	12816	3498	
F2000 26.464 FVLS, FVLR	05.2001 -	338	460	12816	3498	3498
F2000 26.603 DFC, DFCL	06.1996 -	441	600	18273	3497	
F2000 26.603 DFC, DFCL	06.1996 -	441	600	18273	3498	
F2000 26.603 DFC, DFCL	06.1996 -	441	600	18273	3498	3498
F2000 26.603 DFK, DFLK	06.1996 -	441	600	18273	3497	
F2000 26.603 DFK, DFLK	06.1996 -	441	600	18273	3498	
F2000 26.603 DFS, DFSL	06.1996 -	441	600	18273	3497	
F2000 26.603 DFS, DFSL	06.1996 -	441	600	18273	3498	
F2000 26.603 DFS, DFSL	06.1996 -	441	600	18273	3498	3498
F2000 26.604 DFSL	04.2000 -	441	600	18273	3497	
F2000 26.604 DFSL	04.2000 -	441	600	18273	3498	
F2000 26.604 DFSL	04.2000 -	441	600	18273	3498	3498
F2000 27.273 DFAC	01.1994 - 12.1995	198	269	9973	3497	
F2000 27.273 DFAC	01.1994 - 12.1995	198	269	9973	3498	
F2000 27.273 DFAK	01.1994 - 12.1995	198	269	9973	3497	
F2000 27.273 DFAK	01.1994 - 12.1995	198	269	9973	3498	
F2000 27.273 DFAS	01.1994 - 12.1995	198	269	9973	3497	
F2000 27.273 DFAS	01.1994 - 12.1995	198	269	9973	3498	

**MAKE & MODEL****YEAR****KW****PS****CC****MAN**

F2000 27.273 DFC	01.1994 - 12.1995	198	269	9973	3497	
F2000 27.273 DFC	01.1994 - 12.1995	198	269	9973	3498	
F2000 27.273 DFC	01.1994 - 12.1995	198	269	9973	3498	3498
F2000 27.273 DFK	01.1994 - 12.1995	198	269	9973	3497	
F2000 27.273 DFK	01.1994 - 12.1995	198	269	9973	3498	
F2000 27.273 DFS	01.1994 - 12.1995	198	269	9973	3497	
F2000 27.273 DFS	01.1994 - 12.1995	198	269	9973	3498	
F2000 27.273 DFS	01.1994 - 12.1995	198	269	9973	3498	3498
F2000 27.293 DFAC	01.1994 -	213	290	9973	3497	
F2000 27.293 DFAC	01.1994 -	213	290	9973	3498	
F2000 27.293 DFAK	01.1994 -	213	290	9973	3497	
F2000 27.293 DFAK	01.1994 -	213	290	9973	3498	
F2000 27.293 DFAS	01.1994 -	213	290	9973	3497	
F2000 27.293 DFAS	01.1994 -	213	290	9973	3498	
F2000 27.293 DFC	01.1994 -	213	290	9973	3497	
F2000 27.293 DFC	01.1994 -	213	290	9973	3498	
F2000 27.293 DFC	01.1994 -	213	290	9973	3498	3498
F2000 27.293 DFK	01.1994 -	213	290	9973	3497	
F2000 27.293 DFK	01.1994 -	213	290	9973	3498	
F2000 27.293 DFS	01.1994 -	213	290	9973	3497	
F2000 27.293 DFS	01.1994 -	213	290	9973	3498	
F2000 27.293 DFS	01.1994 -	213	290	9973	3498	3498
F2000 27.314 DFAC	05.2001 -	228	310	11967	3497	
F2000 27.314 DFAC	05.2001 -	228	310	11967	3498	3498
F2000 27.314 DFAK, DFA-KI, DFAK-L	05.2001 -	228	310	11967	3497	
F2000 27.314 DFAK, DFA-KI, DFAK-L	05.2001 -	228	310	11967	3498	3498
F2000 27.314 DFAS	05.2001 -	228	310	11967	3497	
F2000 27.314 DFAS	05.2001 -	228	310	11967	3498	3498
F2000 27.314 DFC	05.2001 -	228	310	11967	3497	
F2000 27.314 DFC	05.2001 -	228	310	11967	3498	
F2000 27.314 DFC	05.2001 -	228	310	11967	3498	3498
F2000 27.314 DFK, DFLK, DFLK-L, DF-KI	05.2001 -	228	310	11967	3497	
F2000 27.314 DFK, DFLK, DFLK-L, DF-KI	05.2001 -	228	310	11967	3498	3498
F2000 27.314 DFS	05.2001 -	228	310	11967	3497	
F2000 27.314 DFS	05.2001 -	228	310	11967	3498	
F2000 27.314 DFS	05.2001 -	228	310	11967	3498	3498
F2000 27.314 DF-TM	05.2001 -	228	310	11967	3497	
F2000 27.314 DF-TM	05.2001 -	228	310	11967	3498	3498
F2000 27.314 FVL	06.1998 -	228	310	11967	3497	
F2000 27.314 FVL	06.1998 -	228	310	11967	3498	
F2000 27.314 FVL	06.1998 -	228	310	11967	3498	3498
F2000 27.323 DFAC	01.1994 - 12.1995	235	320	9973	3497	
F2000 27.323 DFAC	01.1994 - 12.1995	235	320	9973	3498	
F2000 27.323 DFAK, DFA-KI	01.1994 -	235	320	9973	3497	
F2000 27.323 DFAK, DFA-KI	01.1994 -	235	320	9973	3498	
F2000 27.323 DFAS	01.1994 - 12.1995	235	320	9973	3497	
F2000 27.323 DFAS	01.1994 - 12.1995	235	320	9973	3498	
F2000 27.323 DFC	01.1994 - 12.1995	235	320	9973	3497	
F2000 27.323 DFC	01.1994 - 12.1995	235	320	9973	3498	
F2000 27.323 DFC	01.1994 - 12.1995	235	320	9973	3498	3498
F2000 27.323 DFK, DF-KI	01.1994 -	235	320	9973	3497	
F2000 27.323 DFK, DF-KI	01.1994 -	235	320	9973	3498	
F2000 27.323 DFS	01.1994 - 12.1995	235	320	9973	3497	
F2000 27.323 DFS	01.1994 - 12.1995	235	320	9973	3498	
F2000 27.323 DFS	01.1994 - 12.1995	235	320	9973	3498	3498
F2000 27.343 DFAC	01.1994 -	250	340	9973	3497	
F2000 27.343 DFAC	01.1994 -	250	340	9973	3498	
F2000 27.343 DFAK	01.1994 -	250	340	9973	3497	
F2000 27.343 DFAK	01.1994 -	250	340	9973	3498	
F2000 27.343 DFAS	01.1994 -	250	340	9973	3497	
F2000 27.343 DFAS	01.1994 -	250	340	9973	3498	
F2000 27.343 DFC	01.1994 -	250	340	9973	3497	
F2000 27.343 DFC	01.1994 -	250	340	9973	3498	
F2000 27.343 DFC	01.1994 -	250	340	9973	3498	3498
F2000 27.343 DFK	01.1994 -	250	340	9973	3497	
F2000 27.343 DFK	01.1994 -	250	340	9973	3498	
F2000 27.343 DFS	01.1994 -	250	340	9973	3497	

**MAKE & MODEL****YEAR****KW****PS****CC****MAN**

F2000 27.343 DFS	01.1994 -	250	340	9973	3498	
F2000 27.343 DFS	01.1994 -	250	340	9973	3498	3498
F2000 27.364 DFAC	05.2001 -	265	360	11967	3497	
F2000 27.364 DFAC	05.2001 -	265	360	11967	3498	3498
F2000 27.364 DFAK, DFA-KI, DFAK-L	05.2001 -	265	360	11967	3497	
F2000 27.364 DFAK, DFA-KI, DFAK-L	05.2001 -	265	360	11967	3498	3498
F2000 27.364 DFAS	05.2001 -	265	360	11967	3497	
F2000 27.364 DFAS	05.2001 -	265	360	11967	3498	3498
F2000 27.364 DFC	05.2001 -	265	360	11967	3497	
F2000 27.364 DFC	05.2001 -	265	360	11967	3498	
F2000 27.364 DFC	05.2001 -	265	360	11967	3498	3498
F2000 27.364 DFK, DFK-KI, DFK-L, DF-KI	05.2001 -	265	360	11967	3497	
F2000 27.364 DFK, DFK-KI, DFK-L, DF-KI	05.2001 -	265	360	11967	3498	3498
F2000 27.364 DFS	05.2001 -	265	360	11967	3497	
F2000 27.364 DFS	05.2001 -	265	360	11967	3498	
F2000 27.364 DFS	05.2001 -	265	360	11967	3498	3498
F2000 27.364 DF-TM	05.2001 -	265	360	11967	3497	
F2000 27.364 DF-TM	05.2001 -	265	360	11967	3498	3498
F2000 27.364 FVL	06.1998 -	265	360	11967	3497	
F2000 27.364 FVL	06.1998 -	265	360	11967	3498	
F2000 27.364 FVL	06.1998 -	265	360	11967	3498	3498
F2000 27.373 DFAC	01.1994 -	272	370	11967	3497	
F2000 27.373 DFAC	01.1994 -	272	370	11967	3498	
F2000 27.373 DFAK, DFA-KI, DFAK-L	01.1994 -	272	370	11967	3497	
F2000 27.373 DFAK, DFA-KI, DFAK-L	01.1994 -	272	370	11967	3498	
F2000 27.373 DFAS	01.1994 -	272	370	11967	3497	
F2000 27.373 DFAS	01.1994 -	272	370	11967	3498	
F2000 27.373 DFC	01.1994 -	272	370	11967	3497	
F2000 27.373 DFC	01.1994 -	272	370	11967	3498	
F2000 27.373 DFC	01.1994 -	272	370	11967	3498	3498
F2000 27.373 DFK, DFK-KI, DFK-L, DF-KI	01.1994 -	272	370	11967	3497	
F2000 27.373 DFK, DFK-KI, DFK-L, DF-KI	01.1994 -	272	370	11967	3498	
F2000 27.373 DFS	01.1994 -	272	370	11967	3497	
F2000 27.373 DFS	01.1994 -	272	370	11967	3498	
F2000 27.373 DFS	01.1994 -	272	370	11967	3498	3498
F2000 27.373 DF-TM	07.2000 -	272	370	11967	3497	
F2000 27.373 DF-TM	07.2000 -	272	370	11967	3498	3498
F2000 27.403 DFAC	01.1994 -	294	400	11967	3497	
F2000 27.403 DFAC	01.1994 -	294	400	11967	3498	
F2000 27.403 DFAK, DFA-KI, DFAK-L	01.1994 -	294	400	11967	3497	
F2000 27.403 DFAK, DFA-KI, DFAK-L	01.1994 -	294	400	11967	3498	
F2000 27.403 DFAS	01.1994 -	294	400	11967	3497	
F2000 27.403 DFAS	01.1994 -	294	400	11967	3498	
F2000 27.403 DFC	01.1994 -	294	400	11967	3497	
F2000 27.403 DFC	01.1994 -	294	400	11967	3498	
F2000 27.403 DFC	01.1994 -	294	400	11967	3498	3498
F2000 27.403 DFK, DFK-KI, DFK-L, DF-KI	01.1994 -	294	400	11967	3497	
F2000 27.403 DFK, DFK-KI, DFK-L, DF-KI	01.1994 -	294	400	11967	3498	
F2000 27.403 DFS	01.1994 -	294	400	11967	3497	
F2000 27.403 DFS	01.1994 -	294	400	11967	3498	
F2000 27.403 DFS	01.1994 -	294	400	11967	3498	3498
F2000 27.403 DF-TM	07.2000 -	294	400	11967	3497	
F2000 27.403 DF-TM	07.2000 -	294	400	11967	3498	3498
F2000 27.414 DFAC	05.2001 -	301	409	11967	3497	
F2000 27.414 DFAC	05.2001 -	301	409	11967	3498	3498
F2000 27.414 DFAK, DFA-KI, DFAK-L	05.2001 -	301	409	11967	3497	
F2000 27.414 DFAK, DFA-KI, DFAK-L	05.2001 -	301	409	11967	3498	3498
F2000 27.414 DFAS	05.2001 -	301	409	11967	3497	
F2000 27.414 DFAS	05.2001 -	301	409	11967	3498	3498
F2000 27.414 DFC	05.2001 -	301	409	11967	3497	
F2000 27.414 DFC	05.2001 -	301	409	11967	3498	
F2000 27.414 DFC	05.2001 -	301	409	11967	3498	3498
F2000 27.414 DFK, DFK-KI, DFK-L, DF-KI	05.2001 -	301	409	11967	3497	
F2000 27.414 DFK, DFK-KI, DFK-L, DF-KI	05.2001 -	301	409	11967	3498	3498
F2000 27.414 DFS	05.2001 -	301	409	11967	3497	
F2000 27.414 DFS	05.2001 -	301	409	11967	3498	
F2000 27.414 DFS	05.2001 -	301	409	11967	3498	3498

**MAKE & MODEL****YEAR****KW****PS****CC****MAN**

F2000 27.414 DF-TM	05.2001 -	301	409	11967	3497	
F2000 27.414 DF-TM	05.2001 -	301	409	11967	3498	3498
F2000 27.414 FVL	06.1998 -	301	409	11967	3497	
F2000 27.414 FVL	06.1998 -	301	409	11967	3498	
F2000 27.414 FVL	06.1998 -	301	409	11967	3498	3498
F2000 27.423 DFAC	01.1994 -	309	420	11967	3497	
F2000 27.423 DFAC	01.1994 -	309	420	11967	3498	
F2000 27.423 DFAK, DFA-KI, DFAK-L	01.1994 -	309	420	11967	3497	
F2000 27.423 DFAK, DFA-KI, DFAK-L	01.1994 -	309	420	11967	3498	
F2000 27.423 DFAS	01.1994 - 12.1995	309	420	11967	3497	
F2000 27.423 DFAS	01.1994 - 12.1995	309	420	11967	3498	
F2000 27.423 DFC	01.1994 -	309	420	11967	3497	
F2000 27.423 DFC	01.1994 -	309	420	11967	3498	
F2000 27.423 DFC	01.1994 -	309	420	11967	3498	3498
F2000 27.423 DFK, DFK-KI, DFK-L, DF-KI	01.1994 -	309	420	11967	3497	
F2000 27.423 DFK, DFK-KI, DFK-L, DF-KI	01.1994 -	309	420	11967	3498	
F2000 27.423 DFS	01.1994 -	309	420	11967	3497	
F2000 27.423 DFS	01.1994 -	309	420	11967	3498	
F2000 27.423 DFS	01.1994 -	309	420	11967	3498	3498
F2000 27.423 DF-TM	07.2000 -	309	420	11967	3497	
F2000 27.423 DF-TM	07.2000 -	309	420	11967	3498	3498
F2000 27.463 DFAC	01.1994 -	338	460	12816	3497	
F2000 27.463 DFAC	01.1994 -	338	460	12816	3498	
F2000 27.463 DFAK, DFA-KI, DFAK-L	01.1994 -	338	460	12816	3497	
F2000 27.463 DFAK, DFA-KI, DFAK-L	01.1994 -	338	460	12816	3498	
F2000 27.463 DFAS	01.1994 -	338	460	12816	3497	
F2000 27.463 DFAS	01.1994 -	338	460	12816	3498	
F2000 27.463 DFC	01.1994 -	338	460	12816	3497	
F2000 27.463 DFC	01.1994 -	338	460	12816	3498	
F2000 27.463 DFC	01.1994 -	338	460	12816	3498	3498
F2000 27.463 DFK, DFK-KI, DFK-L, DF-KI	01.1994 -	338	460	12816	3497	
F2000 27.463 DFK, DFK-KI, DFK-L, DF-KI	01.1994 -	338	460	12816	3498	
F2000 27.463 DFS	01.1994 -	338	460	12816	3497	
F2000 27.463 DFS	01.1994 -	338	460	12816	3498	
F2000 27.463 DFS	01.1994 -	338	460	12816	3498	3498
F2000 27.463 DF-TM	07.2000 -	338	460	12816	3497	
F2000 27.463 DF-TM	07.2000 -	338	460	12816	3498	3498
F2000 27.464 DFAC	05.2001 -	338	460	12816	3497	
F2000 27.464 DFAC	05.2001 -	338	460	12816	3498	3498
F2000 27.464 DFAK, DFA-KI, DFAK-L	05.2001 -	338	460	12816	3497	
F2000 27.464 DFAK, DFA-KI, DFAK-L	05.2001 -	338	460	12816	3498	3498
F2000 27.464 DFAS	05.2001 -	338	460	12816	3497	
F2000 27.464 DFAS	05.2001 -	338	460	12816	3498	3498
F2000 27.464 DFC	01.1994 -	338	460	12816	3497	
F2000 27.464 DFC	01.1994 -	338	460	12816	3498	
F2000 27.464 DFC	01.1994 -	338	460	12816	3498	3498
F2000 27.464 DFK, DFK-KI, DFK-L, DF-KI	05.2001 -	338	460	12816	3497	
F2000 27.464 DFK, DFK-KI, DFK-L, DF-KI	05.2001 -	338	460	12816	3498	3498
F2000 27.464 DFS	01.1994 -	338	460	12816	3497	
F2000 27.464 DFS	01.1994 -	338	460	12816	3498	
F2000 27.464 DFS	01.1994 -	338	460	12816	3498	3498
F2000 27.464 DF-TM	05.2001 -	338	460	12816	3497	
F2000 27.464 DF-TM	05.2001 -	338	460	12816	3498	3498
F2000 27.464 FVL	06.1998 -	338	460	12816	3497	
F2000 27.464 FVL	06.1998 -	338	460	12816	3498	
F2000 27.464 FVL	06.1998 -	338	460	12816	3498	3498
F2000 27.603 DFAS	01.1996 -	441	600	18273	3497	
F2000 27.603 DFAS	01.1996 -	441	600	18273	3498	
F2000 27.603 DFAS	01.1996 -	441	600	18273	3498	3498
F2000 27.603 DFS	01.1996 -	441	600	18273	3497	
F2000 27.603 DFS	01.1996 -	441	600	18273	3498	
F2000 27.603 DFS	01.1996 -	441	600	18273	3498	3498
F2000 27.604 DFS	04.2000 -	441	600	18273	3498	
F2000 27.604 DFS	04.2000 -	441	600	18273	3498	3498
F2000 32.293 VFC	08.1995 -	213	290	9973	3497	
F2000 32.293 VFC	08.1995 -	213	290	9973	3498	
F2000 32.314 VF, VFC	05.2001 -	228	310	11967	3497	

**MAKE & MODEL****YEAR****KW****PS****CC****MAN**

F2000 32.314 VF, VFC	05.2001 -	228	310	11967	3498	3498
F2000 32.314 VFK, VF-HK	05.2001 -	228	310	11967	3497	
F2000 32.314 VFK, VF-HK	05.2001 -	228	310	11967	3498	3498
F2000 32.314 VF-TM	05.2001 -	228	310	11967	3497	
F2000 32.314 VF-TM	05.2001 -	228	310	11967	3498	3498
F2000 32.343 VFC	08.1995 -	250	340	9973	3497	
F2000 32.343 VFC	08.1995 -	250	340	9973	3498	
F2000 32.343 VFK	08.1995 -	250	340	9973	3497	
F2000 32.343 VFK	08.1995 -	250	340	9973	3498	
F2000 32.364 VF, VFC	05.2001 -	265	360	11967	3497	
F2000 32.364 VF, VFC	05.2001 -	265	360	11967	3498	3498
F2000 32.364 VFK, VF-HK	05.2001 -	265	360	11967	3497	
F2000 32.364 VFK, VF-HK	05.2001 -	265	360	11967	3498	3498
F2000 32.364 VF-TM	05.2001 -	265	360	11967	3497	
F2000 32.364 VF-TM	05.2001 -	265	360	11967	3498	3498
F2000 32.403 VFC	08.1995 -	294	400	11967	3497	
F2000 32.403 VFC	08.1995 -	294	400	11967	3498	
F2000 32.403 VFK	08.1995 -	294	400	11967	3497	
F2000 32.403 VFK	08.1995 -	294	400	11967	3498	
F2000 32.414 VF, VFC	05.2001 -	301	409	11967	3497	
F2000 32.414 VF, VFC	05.2001 -	301	409	11967	3498	3498
F2000 32.414 VFK, VF-HK	05.2001 -	301	409	11967	3497	
F2000 32.414 VFK, VF-HK	05.2001 -	301	409	11967	3498	3498
F2000 32.414 VF-TM	05.2001 -	301	409	11967	3497	
F2000 32.414 VF-TM	05.2001 -	301	409	11967	3498	3498
F2000 32.463 VFC	08.1995 -	338	460	12816	3497	
F2000 32.463 VFC	08.1995 -	338	460	12816	3498	
F2000 32.463 VFK	08.1995 -	338	460	12816	3497	
F2000 32.463 VFK	08.1995 -	338	460	12816	3498	
F2000 32.464 VF, VFC	05.2001 -	338	460	12816	3497	
F2000 32.464 VF, VFC	05.2001 -	338	460	12816	3498	3498
F2000 32.464 VFK, VF-HK	05.2001 -	338	460	12816	3497	
F2000 32.464 VFK, VF-HK	05.2001 -	338	460	12816	3498	3498
F2000 32.464 VF-TM	05.2001 -	338	460	12816	3497	
F2000 32.464 VF-TM	05.2001 -	338	460	12816	3498	3498
F2000 33.323 DFAC	01.1994 - 12.1995	235	320	9973	3497	
F2000 33.323 DFAC	01.1994 - 12.1995	235	320	9973	3498	
F2000 33.323 DFAK	01.1994 - 12.1995	235	320	9973	3497	
F2000 33.323 DFAK	01.1994 - 12.1995	235	320	9973	3498	
F2000 33.323 DFAS	01.1994 - 12.1995	235	320	9973	3497	
F2000 33.323 DFAS	01.1994 - 12.1995	235	320	9973	3498	
F2000 33.323 DFC	01.1994 - 12.1995	235	320	9973	3497	
F2000 33.323 DFC	01.1994 - 12.1995	235	320	9973	3498	
F2000 33.323 DFC	01.1994 - 12.1995	235	320	9973	3498	3498
F2000 33.323 DFK	01.1994 - 12.1995	235	320	9973	3497	
F2000 33.323 DFK	01.1994 - 12.1995	235	320	9973	3498	
F2000 33.323 DFK	01.1994 - 12.1995	235	320	9973	3498	3498
F2000 33.323 DFS	01.1994 - 12.1995	235	320	9973	3497	
F2000 33.323 DFS	01.1994 - 12.1995	235	320	9973	3498	
F2000 33.323 DFS	01.1994 - 12.1995	235	320	9973	3498	3498
F2000 33.343 DFAC	01.1994 -	250	340	9973	3497	
F2000 33.343 DFAC	01.1994 -	250	340	9973	3498	
F2000 33.343 DFAK	01.1994 -	250	340	9973	3497	
F2000 33.343 DFAK	01.1994 -	250	340	9973	3498	
F2000 33.343 DFAS	01.1994 -	250	340	9973	3497	
F2000 33.343 DFAS	01.1994 -	250	340	9973	3498	
F2000 33.343 DFC	01.1994 -	250	340	9973	3497	
F2000 33.343 DFC	01.1994 -	250	340	9973	3498	
F2000 33.343 DFC	01.1994 -	250	340	9973	3498	3498
F2000 33.343 DFK	01.1994 -	250	340	9973	3497	
F2000 33.343 DFK	01.1994 -	250	340	9973	3498	
F2000 33.343 DFK	01.1994 -	250	340	9973	3498	3498
F2000 33.343 DFS	01.1994 -	250	340	9973	3497	
F2000 33.343 DFS	01.1994 -	250	340	9973	3498	
F2000 33.343 DFS	01.1994 -	250	340	9973	3498	3498
F2000 33.364 DFAC	05.2001 -	265	360	11967	3497	
F2000 33.364 DFAC	05.2001 -	265	360	11967	3498	3498



**MAKE & MODEL****YEAR****KW****PS****CC****MAN**

F2000 33.364 DFAK, DFAK-HK, DFA-KI	05.2001 -	265	360	11967	3497	
F2000 33.364 DFAK, DFAK-HK, DFA-KI	05.2001 -	265	360	11967	3498	3498
F2000 33.364 DFAS	05.2001 -	265	360	11967	3497	
F2000 33.364 DFAS	05.2001 -	265	360	11967	3498	3498
F2000 33.364 DFC	05.2001 -	265	360	11967	3497	
F2000 33.364 DFC	05.2001 -	265	360	11967	3498	
F2000 33.364 DFC	05.2001 -	265	360	11967	3498	3498
F2000 33.364 DFK, DF-KI	05.2001 -	265	360	11967	3497	
F2000 33.364 DFK, DF-KI	05.2001 -	265	360	11967	3498	
F2000 33.364 DFK, DF-KI	05.2001 -	265	360	11967	3498	3498
F2000 33.364 DFS, DFRS	05.2001 -	265	360	11967	3497	
F2000 33.364 DFS, DFRS	05.2001 -	265	360	11967	3498	
F2000 33.364 DFS, DFRS	05.2001 -	265	360	11967	3498	3498
F2000 33.373 DFAC	01.1994 -	272	370	11967	3497	
F2000 33.373 DFAC	01.1994 -	272	370	11967	3498	
F2000 33.373 DFAK, DFAK-HK, DFA-KI	01.1994 -	272	370	11967	3497	
F2000 33.373 DFAK, DFAK-HK, DFA-KI	01.1994 -	272	370	11967	3498	
F2000 33.373 DFAS	01.1994 -	272	370	11967	3497	
F2000 33.373 DFAS	01.1994 -	272	370	11967	3498	
F2000 33.373 DFC	01.1994 -	272	370	11967	3497	
F2000 33.373 DFC	01.1994 -	272	370	11967	3498	
F2000 33.373 DFC	01.1994 -	272	370	11967	3498	3498
F2000 33.373 DFK, DF-KI	01.1994 -	272	370	11967	3497	
F2000 33.373 DFK, DF-KI	01.1994 -	272	370	11967	3498	
F2000 33.373 DFK, DF-KI	01.1994 -	272	370	11967	3498	3498
F2000 33.373 DFS, DFRS	01.1994 -	272	370	11967	3497	
F2000 33.373 DFS, DFRS	01.1994 -	272	370	11967	3498	
F2000 33.373 DFS, DFRS	01.1994 -	272	370	11967	3498	3498
F2000 33.403 DFAC	01.1994 -	294	400	11967	3497	
F2000 33.403 DFAC	01.1994 -	294	400	11967	3498	
F2000 33.403 DFAK, DFAK-HK, DFA-KI	01.1994 -	294	400	11967	3497	
F2000 33.403 DFAK, DFAK-HK, DFA-KI	01.1994 -	294	400	11967	3498	
F2000 33.403 DFAS	01.1994 -	294	400	11967	3497	
F2000 33.403 DFAS	01.1994 -	294	400	11967	3498	
F2000 33.403 DFC	01.1994 -	294	400	11967	3497	
F2000 33.403 DFC	01.1994 -	294	400	11967	3498	
F2000 33.403 DFC	01.1994 -	294	400	11967	3498	3498
F2000 33.403 DFK, DF-KI	01.1994 -	294	400	11967	3497	
F2000 33.403 DFK, DF-KI	01.1994 -	294	400	11967	3498	
F2000 33.403 DFK, DF-KI	01.1994 -	294	400	11967	3498	3498
F2000 33.403 DFS, DFRS	01.1994 -	294	400	11967	3497	
F2000 33.403 DFS, DFRS	01.1994 -	294	400	11967	3498	
F2000 33.403 DFS, DFRS	01.1994 -	294	400	11967	3498	3498
F2000 33.414 DFAC	05.2001 -	301	409	11967	3497	
F2000 33.414 DFAC	05.2001 -	301	409	11967	3498	3498
F2000 33.414 DFAK, DFAK-HK, DFA-KI	05.2001 -	301	409	11967	3497	
F2000 33.414 DFAK, DFAK-HK, DFA-KI	05.2001 -	301	409	11967	3498	3498
F2000 33.414 DFAS	05.2001 -	301	409	11967	3497	
F2000 33.414 DFAS	05.2001 -	301	409	11967	3498	3498
F2000 33.414 DFC	05.2001 -	301	409	11967	3497	
F2000 33.414 DFC	05.2001 -	301	409	11967	3498	
F2000 33.414 DFC	05.2001 -	301	409	11967	3498	3498
F2000 33.414 DFK, DF-KI	05.2001 -	301	409	11967	3497	
F2000 33.414 DFK, DF-KI	05.2001 -	301	409	11967	3498	
F2000 33.414 DFK, DF-KI	05.2001 -	301	409	11967	3498	3498
F2000 33.414 DFS, DFRS	05.2001 -	301	409	11967	3497	
F2000 33.414 DFS, DFRS	05.2001 -	301	409	11967	3498	
F2000 33.414 DFS, DFRS	05.2001 -	301	409	11967	3498	3498
F2000 33.423 DFAC	01.1994 -	309	420	11967	3497	
F2000 33.423 DFAC	01.1994 -	309	420	11967	3498	
F2000 33.423 DFAK, DFAK-HK, DFA-KI	01.1994 -	309	420	11967	3497	
F2000 33.423 DFAK, DFAK-HK, DFA-KI	01.1994 -	309	420	11967	3498	
F2000 33.423 DFAS	01.1994 -	309	420	11967	3497	
F2000 33.423 DFAS	01.1994 -	309	420	11967	3498	
F2000 33.423 DFC	01.1994 -	309	420	11967	3497	
F2000 33.423 DFC	01.1994 -	309	420	11967	3498	
F2000 33.423 DFC	01.1994 -	309	420	11967	3498	3498

**MAKE & MODEL****YEAR****KW****PS****CC****MAN**

F2000 33.423 DFK, DF-KI	01.1994 -	309	420	11967	3497	
F2000 33.423 DFK, DF-KI	01.1994 -	309	420	11967	3498	
F2000 33.423 DFK, DF-KI	01.1994 -	309	420	11967	3498	3498
F2000 33.423 DFS, DFRS	01.1994 -	309	420	11967	3497	
F2000 33.423 DFS, DFRS	01.1994 -	309	420	11967	3498	
F2000 33.423 DFS, DFRS	01.1994 -	309	420	11967	3498	3498
F2000 33.463 DFAC	01.1994 -	338	460	12816	3497	
F2000 33.463 DFAC	01.1994 -	338	460	12816	3498	
F2000 33.463 DFAK, DFAK-HK, DFA-KI	01.1994 -	338	460	12816	3497	
F2000 33.463 DFAK, DFAK-HK, DFA-KI	01.1994 -	338	460	12816	3498	
F2000 33.463 DFAS	01.1994 -	338	460	12816	3497	
F2000 33.463 DFAS	01.1994 -	338	460	12816	3498	
F2000 33.463 DFC	01.1994 -	338	460	12816	3497	
F2000 33.463 DFC	01.1994 -	338	460	12816	3498	
F2000 33.463 DFC	01.1994 -	338	460	12816	3498	3498
F2000 33.463 DFK, DF-KI	01.1994 -	338	460	12816	3497	
F2000 33.463 DFK, DF-KI	01.1994 -	338	460	12816	3498	
F2000 33.463 DFK, DF-KI	01.1994 -	338	460	12816	3498	3498
F2000 33.463 DFS, DFRS	01.1994 -	338	460	12816	3497	
F2000 33.463 DFS, DFRS	01.1994 -	338	460	12816	3498	
F2000 33.463 DFS, DFRS	01.1994 -	338	460	12816	3498	3498
F2000 33.464 DFAC	05.2001 -	338	460	12816	3497	
F2000 33.464 DFAC	05.2001 -	338	460	12816	3498	3498
F2000 33.464 DFAK, DFAK-HK, DFA-KI	05.2001 -	338	460	12816	3497	
F2000 33.464 DFAK, DFAK-HK, DFA-KI	05.2001 -	338	460	12816	3498	3498
F2000 33.464 DFAS	05.2001 -	338	460	12816	3497	
F2000 33.464 DFAS	05.2001 -	338	460	12816	3498	3498
F2000 33.464 DFC	05.2001 -	338	460	12816	3497	
F2000 33.464 DFC	05.2001 -	338	460	12816	3498	
F2000 33.464 DFC	05.2001 -	338	460	12816	3498	3498
F2000 33.464 DFK, DF-KI	05.2001 -	338	460	12816	3497	
F2000 33.464 DFK, DF-KI	05.2001 -	338	460	12816	3498	
F2000 33.464 DFK, DF-KI	05.2001 -	338	460	12816	3498	3498
F2000 33.464 DFS, DFRS	05.2001 -	338	460	12816	3497	
F2000 33.464 DFS, DFRS	05.2001 -	338	460	12816	3498	
F2000 33.464 DFS, DFRS	05.2001 -	338	460	12816	3498	3498
F2000 33.603 DFAC	06.1996 -	441	600	18273	3497	
F2000 33.603 DFAC	06.1996 -	441	600	18273	3498	
F2000 33.603 DFAS	06.1996 -	441	600	18273	3497	
F2000 33.603 DFAS	06.1996 -	441	600	18273	3498	
F2000 33.603 DFC	06.1996 -	441	600	18273	3497	
F2000 33.603 DFC	06.1996 -	441	600	18273	3498	
F2000 33.603 DFC	06.1996 -	441	600	18273	3498	3498
F2000 33.603 DFS, DFRS	06.1996 -	441	600	18273	3497	
F2000 33.603 DFS, DFRS	06.1996 -	441	600	18273	3498	
F2000 33.603 DFS, DFRS	06.1996 -	441	600	18273	3498	3498
F2000 33.604 DFAS	04.2000 -	441	600	18273	3498	3498
F2000 33.604 DFS	04.2000 -	441	600	18273	3498	
F2000 33.604 DFS	04.2000 -	441	600	18273	3498	3498
F2000 35.314 VF-TM	03.2002 -	228	310	11967	3497	
F2000 35.314 VF-TM	03.2002 -	228	310	11967	3498	3498
F2000 35.343 VFC	08.1995 -	250	340	9973	3497	
F2000 35.343 VFC	08.1995 -	250	340	9973	3498	3498
F2000 35.343 VFK	08.1995 -	250	340	9973	3497	
F2000 35.343 VFK	08.1995 -	250	340	9973	3498	
F2000 35.364 VF, VFC, VFRC	05.2001 -	265	360	11967	3497	
F2000 35.364 VF, VFC, VFRC	05.2001 -	265	360	11967	3498	3498
F2000 35.364 VFK, VF-HK, VF-KI	03.2002 -	265	360	11967	3497	
F2000 35.364 VFK, VF-HK, VF-KI	03.2002 -	265	360	11967	3498	3498
F2000 35.364 VF-TM	03.2002 -	265	360	11967	3497	
F2000 35.364 VF-TM	03.2002 -	265	360	11967	3498	3498
F2000 35.373 VF, VFC, VFRC	05.2001 -	272	370	11967	3497	
F2000 35.373 VF, VFC, VFRC	05.2001 -	272	370	11967	3498	3498
F2000 35.373 VFK, VF-HK, VF-KI	03.2002 -	272	370	11967	3497	
F2000 35.373 VFK, VF-HK, VF-KI	03.2002 -	272	370	11967	3498	3498
F2000 35.403 VF, VFC, VFRC	08.1995 -	294	400	11967	3497	
F2000 35.403 VF, VFC, VFRC	08.1995 -	294	400	11967	3498	

**MAKE & MODEL****YEAR****KW****PS****CC****MAN**

F2000 35.403 VFK, VF-HK, VF-KI	03.2002 -	294	400	11967	3497	
F2000 35.403 VFK, VF-HK, VF-KI	03.2002 -	294	400	11967	3498	
F2000 35.414 VF, VFC, VFRC	05.2001 -	301	409	11967	3497	
F2000 35.414 VF, VFC, VFRC	05.2001 -	301	409	11967	3498	3498
F2000 35.414 VFK, VF-HK, VF-KI	03.2002 -	301	409	11967	3497	
F2000 35.414 VFK, VF-HK, VF-KI	03.2002 -	301	409	11967	3498	3498
F2000 35.414 VF-TM	03.2002 -	301	409	11967	3497	
F2000 35.414 VF-TM	03.2002 -	301	409	11967	3498	3498
F2000 35.423 VF, VFC, VFRC	05.2001 -	309	420	11967	3497	
F2000 35.423 VF, VFC, VFRC	05.2001 -	309	420	11967	3498	3498
F2000 35.423 VFK, VF-HK, VF-KI	03.2002 -	309	420	11967	3497	
F2000 35.423 VFK, VF-HK, VF-KI	03.2002 -	309	420	11967	3498	3498
F2000 35.463 VF, VFC, VFRC	08.1995 -	338	460	12816	3497	
F2000 35.463 VF, VFC, VFRC	08.1995 -	338	460	12816	3498	
F2000 35.463 VFK, VF-HK, VF-KI	08.1995 -	338	460	12816	3497	
F2000 35.463 VFK, VF-HK, VF-KI	08.1995 -	338	460	12816	3498	
F2000 35.464 VF, VFC, VFRC	05.2001 -	338	460	12816	3497	
F2000 35.464 VF, VFC, VFRC	05.2001 -	338	460	12816	3498	3498
F2000 35.464 VFK, VF-HK, VF-KI	03.2002 -	338	460	12816	3497	
F2000 35.464 VFK, VF-HK, VF-KI	03.2002 -	338	460	12816	3498	3498
F2000 35.464 VF-TM	03.2002 -	338	460	12816	3497	
F2000 35.464 VF-TM	03.2002 -	338	460	12816	3498	3498
F2000 37.414 VFA	06.1998 -	301	409	11967	3497	
F2000 37.414 VFA	06.1998 -	301	409	11967	3498	3498
F2000 37.464 VFA	06.1998 -	338	460	12816	3497	
F2000 37.464 VFA	06.1998 -	338	460	12816	3498	3498
F2000 40.273 DFAK	01.1994 -	198	269	9973	3498	3498
F2000 40.273 DFAK	01.1994 -	198	269	9973	3497	3497
F2000 40.273 DFK	01.1994 -	198	269	9973	3498	3498
F2000 40.273 DFK	01.1994 -	198	269	9973	3497	3497
F2000 40.373 DFAK	05.2001 -	272	370	11967	3497	
F2000 40.373 DFAK	05.2001 -	272	370	11967	3498	3498
F2000 40.373 DFK	05.2001 -	272	370	11967	3497	
F2000 40.373 DFK	05.2001 -	272	370	11967	3498	3498
F2000 40.403 DFAK	01.1994 -	294	400	11967	3498	3498
F2000 40.403 DFAK	01.1994 -	294	400	11967	3497	3497
F2000 40.403 DFAS	01.1994 -	294	400	11967	3497	
F2000 40.403 DFAS	01.1994 -	294	400	11967	3498	
F2000 40.403 DFAS	01.1994 -	294	400	11967	3498	3498
F2000 40.403 DFK	01.1994 -	294	400	11967	3498	3498
F2000 40.403 DFK	01.1994 -	294	400	11967	3497	3497
F2000 40.414 DFAK	05.2001 -	301	409	11967	3497	
F2000 40.414 DFAK	05.2001 -	301	409	11967	3498	3498
F2000 40.414 DFK	05.2001 -	301	409	11967	3497	
F2000 40.414 DFK	05.2001 -	301	409	11967	3498	3498
F2000 40.423 DFAK	05.2001 -	309	420	11967	3497	
F2000 40.423 DFAK	05.2001 -	309	420	11967	3498	3498
F2000 40.423 DFK	05.2001 -	309	420	11967	3497	
F2000 40.423 DFK	05.2001 -	309	420	11967	3498	3498
F2000 40.463 DFAK	01.1994 -	338	460	12816	3498	3498
F2000 40.463 DFAK	01.1994 -	338	460	12816	3497	3497
F2000 40.463 DFAS	01.1994 -	338	460	12816	3498	3498
F2000 40.463 DFAS	01.1994 -	338	460	12816	3497	3497
F2000 40.463 DFK	01.1994 -	338	460	12816	3498	3498
F2000 40.463 DFK	01.1994 -	338	460	12816	3497	3497
F2000 40.463 DFS	01.1994 -	338	460	12816	3497	
F2000 40.463 DFS	01.1994 -	338	460	12816	3498	
F2000 40.463 DFS	01.1994 -	338	460	12816	3498	3498
F2000 41.343 VFC	08.1995 -	250	340	9973	3497	
F2000 41.343 VFC	08.1995 -	250	340	9973	3498	3498
F2000 41.343 VFK	08.1995 -	250	340	9973	3497	
F2000 41.343 VFK	08.1995 -	250	340	9973	3498	
F2000 41.364 VF, VFC, VFRC	05.2001 -	265	360	11967	3497	
F2000 41.364 VF, VFC, VFRC	05.2001 -	265	360	11967	3498	3498
F2000 41.364 VFK, VF-HK, VF-KI	03.2002 -	265	360	11967	3497	
F2000 41.364 VFK, VF-HK, VF-KI	03.2002 -	265	360	11967	3498	3498
F2000 41.373 VF, VFC, VFRC	05.2001 -	272	370	11967	3497	

**MAKE & MODEL****YEAR****KW****PS****CC****MAN**

F2000 41.373 VF, VFC, VFRC	05.2001 -	272	370	11967	3498	3498
F2000 41.373 VFK, VF-HK, VF-KI	03.2002 -	272	370	11967	3497	
F2000 41.373 VFK, VF-HK, VF-KI	03.2002 -	272	370	11967	3498	3498
F2000 41.403 VF, VFC, VFRC	08.1995 -	294	400	11967	3497	
F2000 41.403 VF, VFC, VFRC	08.1995 -	294	400	11967	3498	
F2000 41.403 VFK, VF-HK, VF-KI	08.1995 -	294	400	11967	3497	
F2000 41.403 VFK, VF-HK, VF-KI	08.1995 -	294	400	11967	3498	
F2000 41.414 VF, VFC, VFRC	05.2001 -	301	409	11967	3497	
F2000 41.414 VF, VFC, VFRC	05.2001 -	301	409	11967	3498	3498
F2000 41.414 VFK, VF-HK, VF-KI	03.2002 -	301	409	11967	3497	
F2000 41.414 VFK, VF-HK, VF-KI	03.2002 -	301	409	11967	3498	3498
F2000 41.423 VF, VFC, VFRC	05.2001 -	309	420	11967	3497	
F2000 41.423 VF, VFC, VFRC	05.2001 -	309	420	11967	3498	3498
F2000 41.423 VFK, VF-HK, VF-KI	03.2002 -	309	420	11967	3497	
F2000 41.423 VFK, VF-HK, VF-KI	03.2002 -	309	420	11967	3498	3498
F2000 41.463 VF, VFC, VFRC	08.1995 -	338	460	12816	3497	
F2000 41.463 VF, VFC, VFRC	08.1995 -	338	460	12816	3498	
F2000 41.463 VFK, VF-HK, VF-KI	08.1995 -	338	460	12816	3497	
F2000 41.463 VFK, VF-HK, VF-KI	08.1995 -	338	460	12816	3498	
F2000 41.464 VF, VFC, VFRC	06.1998 -	338	460	12816	3497	
F2000 41.464 VF, VFC, VFRC	06.1998 -	338	460	12816	3498	3498
F2000 41.464 VFK, VF-HK, VF-KI	03.2002 -	338	460	12816	3497	
F2000 41.464 VFK, VF-HK, VF-KI	03.2002 -	338	460	12816	3498	3498
F90 15.192 FL	01.1989 - 12.1997	141	192	9660	3498	3498
F90 19.242 F,19.242 FL,19.242 FLL	01.1988 - 01.1989	177	241	11967	3498	
F90 19.242 FK	01.1988 - 02.1989	177	241	11967	3498	
F90 19.242 FS,19.242 FLS,19.242 FLLS	01.1988 - 01.1989	177	241	11967	3498	
F90 19.262 F,19.262 FL,19.262 FLL	01.1988 - 02.1990	191	260	9973	3497	
F90 19.262 F,19.262 FL,19.262 FLL	01.1988 - 02.1990	191	260	9973	3498	
F90 19.262 FA	02.1989 - 02.1990	191	260	9973	3497	
F90 19.262 FA	02.1989 - 02.1990	191	260	9973	3498	
F90 19.262 FAK	02.1989 - 02.1990	191	260	9973	3497	
F90 19.262 FAK	02.1989 - 02.1990	191	260	9973	3498	
F90 19.262 FAS	02.1989 - 02.1990	191	260	9973	3497	
F90 19.262 FAS	02.1989 - 02.1990	191	260	9973	3498	
F90 19.262 FK	01.1988 - 02.1990	191	260	9973	3497	
F90 19.262 FK	01.1988 - 02.1990	191	260	9973	3498	
F90 19.262 FS,19.262 FLS,19.262 FLLS	01.1988 - 02.1990	191	260	9973	3497	
F90 19.262 FS,19.262 FLS,19.262 FLLS	01.1988 - 02.1990	191	260	9973	3498	
F90 19.272 F,19.272 FL,19.272 FLL	02.1990 - 05.1995	198	269	9973	3497	
F90 19.272 F,19.272 FL,19.272 FLL	02.1990 - 05.1995	198	269	9973	3498	
F90 19.272 FA	02.1990 - 05.1995	198	269	9973	3497	
F90 19.272 FA	02.1990 - 05.1995	198	269	9973	3498	
F90 19.272 FAK	02.1990 - 05.1995	198	269	9973	3497	
F90 19.272 FAK	02.1990 - 05.1995	198	269	9973	3498	
F90 19.272 FAS	02.1990 - 05.1995	198	269	9973	3497	
F90 19.272 FAS	02.1990 - 05.1995	198	269	9973	3498	
F90 19.272 FK	02.1990 - 05.1995	198	269	9973	3497	
F90 19.272 FK	02.1990 - 05.1995	198	269	9973	3498	
F90 19.272 FS,19.272 FLS,19.272 FLLS	02.1990 - 05.1995	198	269	9973	3497	
F90 19.272 FS,19.272 FLS,19.272 FLLS	02.1990 - 05.1995	198	269	9973	3498	
F90 19.292 F,19.292 FL,19.292 FLL	07.1986 - 02.1990	213	290	11967	3497	
F90 19.292 F,19.292 FL,19.292 FLL	07.1986 - 02.1990	213	290	11967	3498	
F90 19.292 FA	05.1988 - 02.1990	213	290	11967	3497	
F90 19.292 FA	05.1988 - 02.1990	213	290	11967	3498	
F90 19.292 FAK	05.1988 - 02.1990	213	290	11967	3497	
F90 19.292 FAK	05.1988 - 02.1990	213	290	11967	3498	
F90 19.292 FAS	05.1988 - 02.1990	213	290	11967	3497	
F90 19.292 FAS	05.1988 - 02.1990	213	290	11967	3498	
F90 19.292 FK	07.1986 - 02.1990	213	290	11967	3497	
F90 19.292 FK	07.1986 - 02.1990	213	290	11967	3498	
F90 19.292 FS,19.292 FLS,19.292 FLLS	07.1986 - 02.1990	213	290	11967	3497	
F90 19.292 FS,19.292 FLS,19.292 FLLS	07.1986 - 02.1990	213	290	11967	3498	
F90 19.322 F,19.322 FL,19.322 FLL	02.1990 - 05.1995	235	320	9973	3497	
F90 19.322 F,19.322 FL,19.322 FLL	02.1990 - 05.1995	235	320	9973	3498	
F90 19.322 FA	02.1990 - 06.1996	235	320	9973	3497	
F90 19.322 FA	02.1990 - 06.1996	235	320	9973	3498	

**MAKE & MODEL****YEAR****KW****PS****CC****MAN**

F90 19.322 FAK	02.1990 - 06.1996	235	320	9973	3497
F90 19.322 FAK	02.1990 - 06.1996	235	320	9973	3498
F90 19.322 FAS	02.1990 - 06.1996	235	320	9973	3497
F90 19.322 FAS	02.1990 - 06.1996	235	320	9973	3498
F90 19.322 FK	02.1990 - 05.1995	235	320	9973	3497
F90 19.322 FK	02.1990 - 05.1995	235	320	9973	3498
F90 19.322 FS,19.322 FLS,19.322 FLLS	02.1990 - 05.1995	235	320	9973	3497
F90 19.322 FS,19.322 FLS,19.322 FLLS	02.1990 - 05.1995	235	320	9973	3498
F90 19.332 F,19.332 FL,19.332 FLL	07.1986 - 02.1990	243	330	11967	3497
F90 19.332 F,19.332 FL,19.332 FLL	07.1986 - 02.1990	243	330	11967	3498
F90 19.332 FA	05.1988 - 02.1990	243	330	11967	3497
F90 19.332 FA	05.1988 - 02.1990	243	330	11967	3498
F90 19.332 FAK	05.1988 - 02.1990	243	330	11967	3497
F90 19.332 FAK	05.1988 - 02.1990	243	330	11967	3498
F90 19.332 FAS	05.1988 - 02.1990	243	330	11967	3497
F90 19.332 FAS	05.1988 - 02.1990	243	330	11967	3498
F90 19.332 FK	07.1986 - 02.1990	243	330	11967	3497
F90 19.332 FK	07.1986 - 02.1990	243	330	11967	3498
F90 19.332 FS,19.332 FLS,19.332 FLLS	07.1986 - 02.1990	243	330	11967	3497
F90 19.332 FS,19.332 FLS,19.332 FLLS	07.1986 - 02.1990	243	330	11967	3498
F90 19.342 F,19.342 FL,19.342 FLL	05.1994 - 05.1995	250	340	9973	3497
F90 19.342 F,19.342 FL,19.342 FLL	05.1994 - 05.1995	250	340	9973	3498
F90 19.342 FA	05.1994 - 06.1996	250	340	9973	3497
F90 19.342 FA	05.1994 - 06.1996	250	340	9973	3498
F90 19.342 FAK	05.1994 - 06.1996	250	340	9973	3497
F90 19.342 FAK	05.1994 - 06.1996	250	340	9973	3498
F90 19.342 FAS	05.1994 - 06.1996	250	340	9973	3497
F90 19.342 FAS	05.1994 - 06.1996	250	340	9973	3498
F90 19.342 FK	05.1994 - 05.1995	250	340	9973	3497
F90 19.342 FK	05.1994 - 05.1995	250	340	9973	3498
F90 19.342 FS,19.342 FLS,19.342 FLLS	05.1994 - 05.1995	250	340	9973	3497
F90 19.342 FS,19.342 FLS,19.342 FLLS	05.1994 - 05.1995	250	340	9973	3498
F90 19.362 F,19.362 FL,19.362 FLL	07.1986 - 02.1990	265	360	11967	3497
F90 19.362 F,19.362 FL,19.362 FLL	07.1986 - 02.1990	265	360	11967	3498
F90 19.362 FA	05.1988 - 02.1990	265	360	11967	3497
F90 19.362 FA	05.1988 - 02.1990	265	360	11967	3498
F90 19.362 FAK	05.1988 - 02.1990	265	360	11967	3497
F90 19.362 FAK	05.1988 - 02.1990	265	360	11967	3498
F90 19.362 FAS	05.1988 - 02.1990	265	360	11967	3497
F90 19.362 FAS	05.1988 - 02.1990	265	360	11967	3498
F90 19.362 FK	07.1986 - 02.1990	265	360	11967	3497
F90 19.362 FK	07.1986 - 02.1990	265	360	11967	3498
F90 19.362 FS,19.362 FLS,19.362 FLLS	07.1986 - 02.1990	265	360	11967	3497
F90 19.362 FS,19.362 FLS,19.362 FLLS	07.1986 - 02.1990	265	360	11967	3498
F90 19.372 F,19.372 FL,19.372 FLL	02.1990 - 05.1995	272	370	11967	3497
F90 19.372 F,19.372 FL,19.372 FLL	02.1990 - 05.1995	272	370	11967	3498
F90 19.372 F,19.372 FL,19.372 FLL	05.1990 - 04.1995	249	339	11967	3497
F90 19.372 F,19.372 FL,19.372 FLL	05.1990 - 04.1995	249	339	11967	3498
F90 19.372 FA	02.1990 - 06.1996	272	370	11967	3497
F90 19.372 FA	02.1990 - 06.1996	272	370	11967	3498
F90 19.372 FAK	02.1990 - 06.1996	272	370	11967	3497
F90 19.372 FAK	02.1990 - 06.1996	272	370	11967	3498
F90 19.372 FAS	02.1990 - 06.1996	272	370	11967	3497
F90 19.372 FAS	02.1990 - 06.1996	272	370	11967	3498
F90 19.372 FK	02.1990 - 05.1995	272	370	11967	3497
F90 19.372 FK	02.1990 - 05.1995	272	370	11967	3498
F90 19.372 FK	05.1990 - 04.1995	249	339	11967	3497
F90 19.372 FK	05.1990 - 04.1995	249	339	11967	3498
F90 19.372 FS,19.372 FLS,19.372 FLLS	02.1990 - 05.1995	272	370	11967	3497
F90 19.372 FS,19.372 FLS,19.372 FLLS	02.1990 - 05.1995	272	370	11967	3498
F90 19.372 FS,19.372 FLS,19.372 FLLS	05.1990 - 04.1995	249	339	11967	3497
F90 19.372 FS,19.372 FLS,19.372 FLLS	05.1990 - 04.1995	249	339	11967	3498
F90 19.402 F,19.402 FL,19.402 FLL	05.1994 - 05.1995	294	400	11967	3497
F90 19.402 F,19.402 FL,19.402 FLL	05.1994 - 05.1995	294	400	11967	3498
F90 19.402 FA	05.1994 - 06.1996	294	400	11967	3497
F90 19.402 FA	05.1994 - 06.1996	294	400	11967	3498
F90 19.402 FAK	05.1994 - 06.1996	294	400	11967	3497

**MAKE & MODEL****YEAR****KW****PS****CC****MAN**

F90 19.402 FAK	05.1994 - 06.1996	294	400	11967	3498	
F90 19.402 FAS	05.1994 - 06.1996	294	400	11967	3497	
F90 19.402 FAS	05.1994 - 06.1996	294	400	11967	3498	
F90 19.402 FK	05.1994 - 05.1995	294	400	11967	3497	
F90 19.402 FK	05.1994 - 05.1995	294	400	11967	3498	
F90 19.402 FS,19.402 FLS,19.402 FLLS	05.1994 - 05.1995	294	400	11967	3497	
F90 19.402 FS,19.402 FLS,19.402 FLLS	05.1994 - 05.1995	294	400	11967	3498	
F90 19.422 F,19.422 FL,19.422 FLL	02.1990 - 05.1995	309	420	11967	3497	
F90 19.422 F,19.422 FL,19.422 FLL	02.1990 - 05.1995	309	420	11967	3498	
F90 19.422 FA	02.1990 - 06.1996	309	420	11967	3497	
F90 19.422 FA	02.1990 - 06.1996	309	420	11967	3498	
F90 19.422 FAK	02.1990 - 06.1996	309	420	11967	3497	
F90 19.422 FAK	02.1990 - 06.1996	309	420	11967	3498	
F90 19.422 FAS	02.1990 - 06.1996	309	420	11967	3497	
F90 19.422 FAS	02.1990 - 06.1996	309	420	11967	3498	
F90 19.422 FK	02.1990 - 05.1995	309	420	11967	3497	
F90 19.422 FK	02.1990 - 05.1995	309	420	11967	3498	
F90 19.422 FS,19.422 FLS,19.422 FLLS	02.1990 - 05.1995	309	420	11967	3497	
F90 19.422 FS,19.422 FLS,19.422 FLLS	02.1990 - 05.1995	309	420	11967	3498	
F90 19.462 F,19.462 FL	05.1987 - 02.1990	338	460	18273	3497	
F90 19.462 F,19.462 FL	05.1987 - 02.1990	338	460	18273	3498	
F90 19.462 FK	05.1987 - 02.1990	338	460	18273	3497	
F90 19.462 FK	05.1987 - 02.1990	338	460	18273	3498	
F90 19.462 FS,19.462 FLS	05.1987 - 02.1990	338	460	18273	3497	
F90 19.462 FS,19.462 FLS	05.1987 - 02.1990	338	460	18273	3498	
F90 19.502 F,19.502 FL,19.502 FLL	02.1990 - 06.1996	368	500	18273	3497	
F90 19.502 F,19.502 FL,19.502 FLL	02.1990 - 06.1996	368	500	18273	3498	3498
F90 19.502 FS,19.502 FLS,19.502 FLLS	02.1990 - 06.1996	368	500	18273	3497	
F90 19.502 FS,19.502 FLS,19.502 FLLS	02.1990 - 06.1996	368	500	18273	3498	
F90 19.502 FS,19.502 FLS,19.502 FLLS	02.1990 - 06.1996	368	500	18273	3498	3498
F90 24.242 DF	01.1988 - 07.1989	177	241	11967	3498	
F90 24.242 DFK	01.1988 - 07.1989	177	241	11967	3498	
F90 24.242 DFS	01.1988 - 07.1989	177	241	11967	3498	
F90 24.242 FNL,24.242 FNLL,24.242 FVL	01.1988 - 02.1990	177	241	11967	3497	
F90 24.242 FNL,24.242 FNLL,24.242 FVL	01.1988 - 02.1990	177	241	11967	3498	
F90 24.262 DF	01.1988 - 02.1990	191	260	9973	3497	
F90 24.262 DF	01.1988 - 02.1990	191	260	9973	3498	
F90 24.262 DFK	01.1988 - 02.1990	191	260	9973	3497	
F90 24.262 DFK	01.1988 - 02.1990	191	260	9973	3498	
F90 24.262 DFS,24.262 DFLS	01.1988 - 02.1990	191	260	9973	3497	
F90 24.262 DFS,24.262 DFLS	01.1988 - 02.1990	191	260	9973	3498	
F90 24.262 FNL,24.262 FNLL,24.262 FVL	01.1988 - 02.1990	191	260	9973	3497	
F90 24.262 FNL,24.262 FNLL,24.262 FVL	01.1988 - 02.1990	191	260	9973	3498	
F90 24.272 DF	02.1990 - 12.1990	198	269	9973	3497	
F90 24.272 DF	02.1990 - 12.1990	198	269	9973	3498	
F90 24.272 DFK	02.1990 - 12.1990	198	269	9973	3497	
F90 24.272 DFK	02.1990 - 12.1990	198	269	9973	3498	
F90 24.272 DFS,24.272 DFLS	02.1990 - 04.1995	198	269	9973	3497	
F90 24.272 DFS,24.272 DFLS	02.1990 - 04.1995	198	269	9973	3498	
F90 24.272 FNL,24.272 FNLL,24.272 FVL	02.1990 - 05.1995	198	269	9973	3497	
F90 24.272 FNL,24.272 FNLL,24.272 FVL	02.1990 - 05.1995	198	269	9973	3498	
F90 24.272 FNL,24.272 FNLL,24.272 FVL	02.1990 - 05.1995	198	269	9973	3498	3498
F90 24.272 FNLS,24.272 FVLS	02.1990 - 05.1995	198	269	9973	3497	
F90 24.272 FNLS,24.272 FVLS	02.1990 - 05.1995	198	269	9973	3498	
F90 24.272 FNLS,24.272 FVLS	02.1990 - 05.1995	198	269	9973	3498	3498
F90 24.292 DF	04.1987 - 02.1990	213	290	11967	3497	
F90 24.292 DF	04.1987 - 02.1990	213	290	11967	3498	
F90 24.292 DFK	04.1987 - 02.1990	213	290	11967	3497	
F90 24.292 DFK	04.1987 - 02.1990	213	290	11967	3498	
F90 24.292 DFS,24.292 DFLS	04.1987 - 02.1990	213	290	11967	3497	
F90 24.292 DFS,24.292 DFLS	04.1987 - 02.1990	213	290	11967	3498	
F90 24.292 FNL,24.292 FNLL,24.292 FVL	10.1986 - 02.1990	213	290	11967	3497	
F90 24.292 FNL,24.292 FNLL,24.292 FVL	10.1986 - 02.1990	213	290	11967	3498	
F90 24.292 FNLS,24.292 FVLS	10.1986 - 02.1990	213	290	11967	3497	
F90 24.292 FNLS,24.292 FVLS	10.1986 - 02.1990	213	290	11967	3498	
F90 24.302 DF	05.1990 - 12.1990	220	299	11967	3497	



**MAKE & MODEL****YEAR****KW****PS****CC****MAN**

F90 24.302 DF	05.1990 - 12.1990	220	299	11967	3498	
F90 24.302 DFK	05.1990 - 12.1990	220	299	11967	3497	
F90 24.302 DFK	05.1990 - 12.1990	220	299	11967	3498	
F90 24.302 DFS,24.302 DFLS	05.1990 - 04.1995	220	299	11967	3497	
F90 24.302 DFS,24.302 DFLS	05.1990 - 04.1995	220	299	11967	3498	
F90 24.302 FNL,24.302 FNLL,24.302 FVL	05.1990 - 10.1990	220	299	11967	3497	
F90 24.302 FNL,24.302 FNLL,24.302 FVL	05.1990 - 10.1990	220	299	11967	3498	
F90 24.302 FNL,24.302 FNLL,24.302 FVL	05.1990 - 10.1990	220	299	11967	3498	3498
F90 24.322 DF	02.1990 - 12.1990	235	320	9973	3497	
F90 24.322 DF	02.1990 - 12.1990	235	320	9973	3498	
F90 24.322 DFK	02.1990 - 12.1990	235	320	9973	3497	
F90 24.322 DFK	02.1990 - 12.1990	235	320	9973	3498	
F90 24.322 DFS,24.322 DFLS	02.1990 - 12.1990	235	320	9973	3497	
F90 24.322 DFS,24.322 DFLS	02.1990 - 12.1990	235	320	9973	3498	
F90 24.322 FNL,24.322 FNLL,24.322 FVL	02.1990 - 05.1995	235	320	9973	3497	
F90 24.322 FNL,24.322 FNLL,24.322 FVL	02.1990 - 05.1995	235	320	9973	3498	
F90 24.322 FNL,24.322 FNLL,24.322 FVL	02.1990 - 05.1995	235	320	9973	3498	3498
F90 24.322 FNLS,24.322 FVLS	02.1990 - 05.1995	235	320	9973	3497	
F90 24.322 FNLS,24.322 FVLS	02.1990 - 05.1995	235	320	9973	3498	
F90 24.322 FNLS,24.322 FVLS	02.1990 - 05.1995	235	320	9973	3498	3498
F90 24.332 DF	04.1987 - 02.1990	243	330	11967	3497	
F90 24.332 DF	04.1987 - 02.1990	243	330	11967	3498	
F90 24.332 DFK	04.1987 - 02.1990	243	330	11967	3497	
F90 24.332 DFK	04.1987 - 02.1990	243	330	11967	3498	
F90 24.332 DFS,24.332 DFLS	04.1987 - 02.1990	243	330	11967	3497	
F90 24.332 DFS,24.332 DFLS	04.1987 - 02.1990	243	330	11967	3498	
F90 24.332 FNL,24.332 FNLL,24.332 FVL	10.1986 - 02.1990	243	330	11967	3497	
F90 24.332 FNL,24.332 FNLL,24.332 FVL	10.1986 - 02.1990	243	330	11967	3498	
F90 24.332 FNLS,24.332 FVLS	10.1986 - 02.1990	243	330	11967	3497	
F90 24.332 FNLS,24.332 FVLS	10.1986 - 02.1990	243	330	11967	3498	
F90 24.342 FNL,24.342 FNLL	05.1994 - 05.1995	250	340	9973	3497	
F90 24.342 FNL,24.342 FNLL	05.1994 - 05.1995	250	340	9973	3498	
F90 24.362 DF	04.1987 - 02.1990	265	360	11967	3497	
F90 24.362 DF	04.1987 - 02.1990	265	360	11967	3498	
F90 24.362 DFK	04.1987 - 02.1990	265	360	11967	3497	
F90 24.362 DFK	04.1987 - 02.1990	265	360	11967	3498	
F90 24.362 DFS,24.362 DFLS	04.1987 - 02.1990	265	360	11967	3497	
F90 24.362 DFS,24.362 DFLS	04.1987 - 02.1990	265	360	11967	3498	
F90 24.362 FNL,24.362 FNLL,24.362 FVL	10.1986 - 02.1990	265	360	11967	3497	
F90 24.362 FNL,24.362 FNLL,24.362 FVL	10.1986 - 02.1990	265	360	11967	3498	
F90 24.362 FNLS,24.362 FVLS	10.1986 - 02.1990	265	360	11967	3497	
F90 24.362 FNLS,24.362 FVLS	10.1986 - 02.1990	265	360	11967	3498	
F90 24.372 DF	02.1990 - 12.1990	272	370	11967	3497	
F90 24.372 DF	02.1990 - 12.1990	272	370	11967	3498	
F90 24.372 DF	05.1990 - 12.1990	249	339	11967	3497	
F90 24.372 DF	05.1990 - 12.1990	249	339	11967	3498	
F90 24.372 DFK	02.1990 - 12.1990	272	370	11967	3497	
F90 24.372 DFK	02.1990 - 12.1990	272	370	11967	3498	
F90 24.372 DFK	05.1990 - 12.1990	249	339	11967	3497	
F90 24.372 DFK	05.1990 - 12.1990	249	339	11967	3498	
F90 24.372 DFS	05.1990 - 12.1990	249	339	11967	3497	
F90 24.372 DFS	05.1990 - 12.1990	249	339	11967	3498	
F90 24.372 DFS, 24.372 DFLS	02.1990 - 04.1995	272	370	11967	3497	
F90 24.372 DFS, 24.372 DFLS	02.1990 - 04.1995	272	370	11967	3498	
F90 24.372 FNL,24.372 FNLL,24.372 FVL	02.1990 - 05.1995	272	370	11967	3497	
F90 24.372 FNL,24.372 FNLL,24.372 FVL	02.1990 - 05.1995	272	370	11967	3498	
F90 24.372 FNL,24.372 FNLL,24.372 FVL	02.1990 - 05.1995	272	370	11967	3498	3498
F90 24.372 FNLS,24.372 FVLS	02.1990 - 05.1995	272	370	11967	3497	
F90 24.372 FNLS,24.372 FVLS	02.1990 - 05.1995	272	370	11967	3498	
F90 24.372 FNLS,24.372 FVLS	02.1990 - 05.1995	272	370	11967	3498	3498
F90 24.372 FVL	05.1990 - 12.1990	249	339	11967	3497	
F90 24.372 FVL	05.1990 - 12.1990	249	339	11967	3498	
F90 24.372 FVLS	05.1990 - 12.1990	249	339	11967	3497	
F90 24.372 FVLS	05.1990 - 12.1990	249	339	11967	3498	
F90 24.402 FNL,24.402 FNLL	05.1994 - 05.1995	294	400	11967	3497	
F90 24.402 FNL,24.402 FNLL	05.1994 - 05.1995	294	400	11967	3498	
F90 24.422 DF	02.1990 - 12.1990	309	420	11967	3497	

**MAKE & MODEL****YEAR****KW****PS****CC****MAN**

F90 24.422 DF	02.1990 - 12.1990	309	420	11967	3498	
F90 24.422 DFK	02.1990 - 12.1990	309	420	11967	3497	
F90 24.422 DFK	02.1990 - 12.1990	309	420	11967	3498	
F90 24.422 DFS,24.422 DFLS	02.1990 - 12.1990	309	420	11967	3497	
F90 24.422 DFS,24.422 DFLS	02.1990 - 12.1990	309	420	11967	3498	
F90 24.422 FNL,24.422 FNLL,24.422 FVL	02.1990 - 05.1995	309	420	11967	3497	
F90 24.422 FNL,24.422 FNLL,24.422 FVL	02.1990 - 05.1995	309	420	11967	3498	
F90 24.422 FNL,24.422 FNLL,24.422 FVL	02.1990 - 05.1995	309	420	11967	3498	3498
F90 24.462 DF	02.1989 - 02.1990	338	460	18273	3497	
F90 24.462 DF	02.1989 - 02.1990	338	460	18273	3498	
F90 24.462 DFS	02.1989 - 02.1990	338	460	18273	3497	
F90 24.462 DFS	02.1989 - 02.1990	338	460	18273	3498	
F90 24.462 FNL	04.1989 - 02.1990	338	460	18273	3497	
F90 24.462 FNL	04.1989 - 02.1990	338	460	18273	3498	
F90 24.462 FVLS	05.1987 - 07.1987	338	460	18273	3497	
F90 24.462 FVLS	05.1987 - 07.1987	338	460	18273	3498	
F90 24.502 DF	02.1990 - 12.1990	368	500	18273	3497	
F90 24.502 DF	02.1990 - 12.1990	368	500	18273	3498	
F90 24.502 DF	02.1990 - 12.1990	368	500	18273	3498	3498
F90 24.502 DFK	02.1990 - 12.1990	368	500	18273	3497	
F90 24.502 DFK	02.1990 - 12.1990	368	500	18273	3498	
F90 24.502 DFK	02.1990 - 12.1990	368	500	18273	3498	3498
F90 24.502 DFS	02.1990 - 12.1990	368	500	18273	3497	
F90 24.502 DFS	02.1990 - 12.1990	368	500	18273	3498	
F90 24.502 DFS	02.1990 - 12.1990	368	500	18273	3498	3498
F90 24.502 FNL	02.1990 - 12.1990	368	500	18273	3497	
F90 24.502 FNL	02.1990 - 12.1990	368	500	18273	3498	
F90 24.502 FNL	02.1990 - 12.1990	368	500	18273	3498	3498
F90 25.272 DF	09.1990 - 12.1992	198	269	9973	3497	
F90 25.272 DF	09.1990 - 12.1992	198	269	9973	3498	
F90 25.272 DFK	09.1990 - 12.1992	198	269	9973	3497	
F90 25.272 DFK	09.1990 - 12.1992	198	269	9973	3498	
F90 25.272 DFS,25.272 DFLS	09.1990 - 12.1992	198	269	9973	3497	
F90 25.272 DFS,25.272 DFLS	09.1990 - 12.1992	198	269	9973	3498	
F90 25.272 FNL,25.272 FNLL,25.272 FVL	09.1990 - 10.1993	198	269	9973	3497	
F90 25.272 FNL,25.272 FNLL,25.272 FVL	09.1990 - 10.1993	198	269	9973	3498	
F90 25.272 FNL,25.272 FNLL,25.272 FVL	09.1990 - 10.1993	198	269	9973	3498	3498
F90 25.302 DF	09.1990 - 12.1991	220	299	11967	3497	
F90 25.302 DF	09.1990 - 12.1991	220	299	11967	3498	
F90 25.302 DFK	09.1990 - 12.1991	220	299	11967	3497	
F90 25.302 DFK	09.1990 - 12.1991	220	299	11967	3498	
F90 25.302 DFS, 25.302 DFLS	09.1990 - 12.1991	220	299	11967	3497	
F90 25.302 DFS, 25.302 DFLS	09.1990 - 12.1991	220	299	11967	3498	
F90 25.302 FNL, 25.302 FNLL, 25.302 FVL	09.1990 - 12.1991	220	299	11967	3497	
F90 25.302 FNL, 25.302 FNLL, 25.302 FVL	09.1990 - 12.1991	220	299	11967	3498	
F90 25.302 FNLS, 25.302 FVLS	09.1990 - 12.1991	220	299	11967	3497	
F90 25.302 FNLS, 25.302 FVLS	09.1990 - 12.1991	220	299	11967	3498	
F90 25.302 FNLS, 25.302 FVLS	09.1990 - 12.1991	220	299	11967	3498	3498
F90 25.322 DF, 25.322 DFL	09.1990 - 12.1992	235	320	9973	3497	
F90 25.322 DF, 25.322 DFL	09.1990 - 12.1992	235	320	9973	3498	
F90 25.322 DFK	09.1990 - 12.1992	235	320	9973	3497	
F90 25.322 DFK	09.1990 - 12.1992	235	320	9973	3498	
F90 25.322 DFS, 25.322 DFLS	09.1990 - 12.1992	235	320	9973	3497	
F90 25.322 DFS, 25.322 DFLS	09.1990 - 12.1992	235	320	9973	3498	
F90 25.322 FNL, 25.322 FNLL, 25.322 FVL	09.1990 - 12.1992	235	320	9973	3497	
F90 25.322 FNL, 25.322 FNLL, 25.322 FVL	09.1990 - 12.1992	235	320	9973	3498	
F90 25.322 FNLS,25.322 FVLS	09.1990 - 12.1992	235	320	9973	3497	
F90 25.322 FNLS,25.322 FVLS	09.1990 - 12.1992	235	320	9973	3498	
F90 25.322 FNLS,25.322 FVLS	09.1990 - 12.1992	235	320	9973	3498	3498
F90 25.372 DF	09.1990 - 12.1992	249	339	11967	3497	
F90 25.372 DF	09.1990 - 12.1992	249	339	11967	3498	
F90 25.372 DF	09.1990 - 12.1992	272	370	11967	3497	
F90 25.372 DF	09.1990 - 12.1992	272	370	11967	3498	
F90 25.372 DFK	09.1990 - 12.1992	249	339	11967	3497	
F90 25.372 DFK	09.1990 - 12.1992	249	339	11967	3498	
F90 25.372 DFK	09.1990 - 12.1992	272	370	11967	3497	
F90 25.372 DFK	09.1990 - 12.1992	272	370	11967	3498	

**MAKE & MODEL****YEAR****KW****PS****CC****MAN**

F90 25.372 DFS	09.1990 - 12.1992	249	339	11967	3497	
F90 25.372 DFS	09.1990 - 12.1992	249	339	11967	3498	
F90 25.372 DFS,25.372 DFLS	09.1990 - 12.1992	272	370	11967	3497	
F90 25.372 DFS,25.372 DFLS	09.1990 - 12.1992	272	370	11967	3498	
F90 25.372 FNL, 25.372 FNLL, 25.372 FVL	09.1990 - 12.1992	272	370	11967	3497	
F90 25.372 FNL, 25.372 FNLL, 25.372 FVL	09.1990 - 12.1992	272	370	11967	3498	
F90 25.372 FNLS,25.372 FVLS	09.1990 - 10.1993	272	370	11967	3497	
F90 25.372 FNLS,25.372 FVLS	09.1990 - 10.1993	272	370	11967	3498	
F90 25.372 FNLS,25.372 FVLS	09.1990 - 10.1993	272	370	11967	3498	3498
F90 25.372 FVLS	09.1990 - 10.1993	249	339	11967	3497	
F90 25.372 FVLS	09.1990 - 10.1993	249	339	11967	3498	
F90 25.422 DF	09.1990 - 12.1992	309	420	11967	3497	
F90 25.422 DF	09.1990 - 12.1992	309	420	11967	3498	
F90 25.422 DFK	09.1990 - 12.1992	309	420	11967	3497	
F90 25.422 DFK	09.1990 - 12.1992	309	420	11967	3498	
F90 25.422 DFS,25.422 DFLS	09.1990 - 12.1992	309	420	11967	3497	
F90 25.422 DFS,25.422 DFLS	09.1990 - 12.1992	309	420	11967	3498	
F90 25.422 FNL,25.422 FNLL	09.1990 - 12.1992	309	420	11967	3497	
F90 25.422 FNL,25.422 FNLL	09.1990 - 12.1992	309	420	11967	3498	
F90 25.422 FNLS,25.422 FVLS	09.1990 - 12.1992	309	420	11967	3497	
F90 25.422 FNLS,25.422 FVLS	09.1990 - 12.1992	309	420	11967	3498	
F90 25.422 FNLS,25.422 FVLS	09.1990 - 12.1992	309	420	11967	3498	3498
F90 25.502 DF	09.1990 - 12.1992	368	500	18273	3497	
F90 25.502 DF	09.1990 - 12.1992	368	500	18273	3498	
F90 25.502 DF	09.1990 - 12.1992	368	500	18273	3498	3498
F90 25.502 DFS	09.1990 - 12.1992	368	500	18273	3497	
F90 25.502 DFS	09.1990 - 12.1992	368	500	18273	3498	
F90 25.502 DFS	09.1990 - 12.1992	368	500	18273	3498	3498
F90 25.502 FNL	09.1990 - 12.1992	368	500	18273	3497	
F90 25.502 FNL	09.1990 - 12.1992	368	500	18273	3498	
F90 26.242 DF	02.1990 - 06.1997	177	241	11967	3497	
F90 26.242 DF	02.1990 - 06.1997	177	241	11967	3498	
F90 26.242 DFAK	01.1990 - 01.1990	177	241	11967	3497	
F90 26.242 DFAK	01.1990 - 01.1990	177	241	11967	3498	
F90 26.242 DFK	02.1990 - 06.1997	177	241	11967	3497	
F90 26.242 DFK	02.1990 - 06.1997	177	241	11967	3498	
F90 26.242 DFS	02.1990 - 06.1997	177	241	11967	3497	
F90 26.242 DFS	02.1990 - 06.1997	177	241	11967	3498	
F90 26.262 DF	01.1988 - 02.1990	191	260	9973	3497	
F90 26.262 DF	01.1988 - 02.1990	191	260	9973	3498	
F90 26.262 DFA	02.1989 - 02.1990	191	260	9973	3497	
F90 26.262 DFA	02.1989 - 02.1990	191	260	9973	3498	
F90 26.262 DFAK	02.1989 - 02.1990	191	260	9973	3497	
F90 26.262 DFAK	02.1989 - 02.1990	191	260	9973	3498	
F90 26.262 DFAS	02.1989 - 02.1990	191	260	9973	3497	
F90 26.262 DFAS	02.1989 - 02.1990	191	260	9973	3498	
F90 26.262 DFK	01.1988 - 02.1990	191	260	9973	3497	
F90 26.262 DFK	01.1988 - 02.1990	191	260	9973	3498	
F90 26.262 DFS	01.1988 - 02.1990	191	260	9973	3497	
F90 26.262 DFS	01.1988 - 02.1990	191	260	9973	3498	
F90 26.272 DF	02.1990 - 06.1996	198	269	9973	3497	
F90 26.272 DF	02.1990 - 06.1996	198	269	9973	3498	
F90 26.272 DFA	02.1990 - 12.1992	198	269	9973	3497	
F90 26.272 DFA	02.1990 - 12.1992	198	269	9973	3498	
F90 26.272 DFAK	02.1990 - 12.1992	198	269	9973	3497	
F90 26.272 DFAK	02.1990 - 12.1992	198	269	9973	3498	
F90 26.272 DFAS	02.1990 - 12.1992	198	269	9973	3497	
F90 26.272 DFAS	02.1990 - 12.1992	198	269	9973	3498	
F90 26.272 DFK	02.1990 - 06.1996	198	269	9973	3497	
F90 26.272 DFK	02.1990 - 06.1996	198	269	9973	3498	
F90 26.272 DFS,26.272 DFLS	02.1990 - 06.1996	198	269	9973	3497	
F90 26.272 DFS,26.272 DFLS	02.1990 - 06.1996	198	269	9973	3498	
F90 26.272 FNL,26.272 FNLL	03.1991 - 05.1995	198	269	9973	3497	
F90 26.272 FNL,26.272 FNLL	03.1991 - 05.1995	198	269	9973	3498	
F90 26.272 FNLS,26.272 FVLS	09.1990 - 12.1995	198	269	9973	3497	
F90 26.272 FNLS,26.272 FVLS	09.1990 - 12.1995	198	269	9973	3498	
F90 26.272 FNLS,26.272 FVLS	09.1990 - 12.1995	198	269	9973	3498	3498

**MAKE & MODEL****YEAR****KW****PS****CC****MAN**

F90 26.292 DF, 26.292 DFL	09.1987 - 02.1990	213	290	11967	3497	
F90 26.292 DF, 26.292 DFL	09.1987 - 02.1990	213	290	11967	3498	
F90 26.292 DFA	05.1988 - 02.1990	213	290	11967	3497	
F90 26.292 DFA	05.1988 - 02.1990	213	290	11967	3498	
F90 26.292 DFAK	05.1988 - 02.1990	213	290	11967	3497	
F90 26.292 DFAK	05.1988 - 02.1990	213	290	11967	3498	
F90 26.292 DFAS	05.1988 - 02.1990	213	290	11967	3497	
F90 26.292 DFAS	05.1988 - 02.1990	213	290	11967	3498	
F90 26.292 DFK	09.1987 - 02.1990	213	290	11967	3497	
F90 26.292 DFK	09.1987 - 02.1990	213	290	11967	3498	
F90 26.292 DFS	09.1987 - 02.1990	213	290	11967	3497	
F90 26.292 DFS	09.1987 - 02.1990	213	290	11967	3498	
F90 26.302 DF	05.1990 - 12.1991	220	299	11967	3497	
F90 26.302 DF	05.1990 - 12.1991	220	299	11967	3498	
F90 26.302 DFA	05.1990 - 12.1991	220	299	11967	3497	
F90 26.302 DFA	05.1990 - 12.1991	220	299	11967	3498	
F90 26.302 DFAK	05.1990 - 12.1991	220	299	11967	3497	
F90 26.302 DFAK	05.1990 - 12.1991	220	299	11967	3498	
F90 26.302 DFAS	05.1990 - 12.1991	220	299	11967	3497	
F90 26.302 DFAS	05.1990 - 12.1991	220	299	11967	3498	
F90 26.302 DFK	05.1990 - 12.1991	220	299	11967	3497	
F90 26.302 DFK	05.1990 - 12.1991	220	299	11967	3498	
F90 26.302 DFS	05.1990 - 12.1991	220	299	11967	3497	
F90 26.302 DFS	05.1990 - 12.1991	220	299	11967	3498	
F90 26.302 FNL, 26.302 FNLL, 26.302 FVL	03.1991 - 12.1991	220	299	11967	3497	
F90 26.302 FNL, 26.302 FNLL, 26.302 FVL	03.1991 - 12.1991	220	299	11967	3498	
F90 26.302 FNLS,26.302 FVLS	09.1990 - 12.1991	220	299	11967	3497	
F90 26.302 FNLS,26.302 FVLS	09.1990 - 12.1991	220	299	11967	3498	
F90 26.302 FNLS,26.302 FVLS	09.1990 - 12.1991	220	299	11967	3498	3498
F90 26.322 DF	02.1990 - 06.1996	235	320	9973	3497	
F90 26.322 DF	02.1990 - 06.1996	235	320	9973	3498	
F90 26.322 DFA	02.1990 - 12.1992	235	320	9973	3497	
F90 26.322 DFA	02.1990 - 12.1992	235	320	9973	3498	
F90 26.322 DFAK	02.1990 - 12.1992	235	320	9973	3497	
F90 26.322 DFAK	02.1990 - 12.1992	235	320	9973	3498	
F90 26.322 DFAS	02.1990 - 12.1992	235	320	9973	3497	
F90 26.322 DFAS	02.1990 - 12.1992	235	320	9973	3498	
F90 26.322 DFK	02.1992 - 06.1996	235	320	9973	3497	
F90 26.322 DFK	02.1992 - 06.1996	235	320	9973	3498	
F90 26.322 DFS,26.322 DFLS	02.1990 - 06.1996	235	320	9973	3497	
F90 26.322 DFS,26.322 DFLS	02.1990 - 06.1996	235	320	9973	3498	
F90 26.322 FNL,26.322 FNLL	03.1991 - 05.1995	235	320	9973	3497	
F90 26.322 FNL,26.322 FNLL	03.1991 - 05.1995	235	320	9973	3498	
F90 26.322 FNLS,26.322 FVLS	09.1990 - 12.1995	235	320	9973	3497	
F90 26.322 FNLS,26.322 FVLS	09.1990 - 12.1995	235	320	9973	3498	
F90 26.322 FNLS,26.322 FVLS	09.1990 - 12.1995	235	320	9973	3498	3498
F90 26.332 DF, 26.332 DFL	09.1987 - 02.1990	243	330	11967	3497	
F90 26.332 DF, 26.332 DFL	09.1987 - 02.1990	243	330	11967	3498	
F90 26.332 DFA	05.1988 - 02.1990	243	330	11967	3497	
F90 26.332 DFA	05.1988 - 02.1990	243	330	11967	3498	
F90 26.332 DFAK	05.1988 - 02.1990	243	330	11967	3497	
F90 26.332 DFAK	05.1988 - 02.1990	243	330	11967	3498	
F90 26.332 DFAS	05.1988 - 02.1990	243	330	11967	3497	
F90 26.332 DFAS	05.1988 - 02.1990	243	330	11967	3498	
F90 26.332 DFK	09.1987 - 02.1990	243	330	11967	3497	
F90 26.332 DFK	09.1987 - 02.1990	243	330	11967	3498	
F90 26.332 DFS	09.1987 - 02.1990	243	330	11967	3497	
F90 26.332 DFS	09.1987 - 02.1990	243	330	11967	3498	
F90 26.342 DF,26.342 DFL	05.1994 - 06.1996	250	340	9973	3497	
F90 26.342 DF,26.342 DFL	05.1994 - 06.1996	250	340	9973	3498	
F90 26.342 DFK,26.342 DFLK	05.1994 - 06.1996	250	340	9973	3497	
F90 26.342 DFK,26.342 DFLK	05.1994 - 06.1996	250	340	9973	3498	
F90 26.342 DFS	04.1994 - 06.1996	250	340	9973	3497	
F90 26.342 DFS	04.1994 - 06.1996	250	340	9973	3498	
F90 26.362 DF, 26.362 DFL	09.1987 - 02.1990	265	360	11967	3497	
F90 26.362 DF, 26.362 DFL	09.1987 - 02.1990	265	360	11967	3498	
F90 26.362 DFA	05.1988 - 02.1990	265	360	11967	3497	

**MAKE & MODEL****YEAR****KW****PS****CC****MAN**

F90 26.362 DFA	05.1988 - 02.1990	265	360	11967	3498	
F90 26.362 DFAK	05.1988 - 02.1990	265	360	11967	3497	
F90 26.362 DFAK	05.1988 - 02.1990	265	360	11967	3498	
F90 26.362 DFAS	05.1988 - 02.1990	265	360	11967	3497	
F90 26.362 DFAS	05.1988 - 02.1990	265	360	11967	3498	
F90 26.362 DFK	09.1987 - 02.1990	265	360	11967	3497	
F90 26.362 DFK	09.1987 - 02.1990	265	360	11967	3498	
F90 26.362 DFS	09.1987 - 02.1990	265	360	11967	3497	
F90 26.362 DFS	09.1987 - 02.1990	265	360	11967	3498	
F90 26.372 DF,26.372 DFL	02.1990 - 06.1996	272	370	11967	3497	
F90 26.372 DF,26.372 DFL	02.1990 - 06.1996	272	370	11967	3498	
F90 26.372 DFA	02.1990 - 12.1992	272	370	11967	3497	
F90 26.372 DFA	02.1990 - 12.1992	272	370	11967	3498	
F90 26.372 DFAK	01.1992 - 06.1996	272	370	11967	3497	
F90 26.372 DFAK	01.1992 - 06.1996	272	370	11967	3498	
F90 26.372 DFAS	02.1990 - 12.1992	272	370	11967	3497	
F90 26.372 DFAS	02.1990 - 12.1992	272	370	11967	3498	
F90 26.372 DFK	01.1992 - 06.1996	272	370	11967	3497	
F90 26.372 DFK	01.1992 - 06.1996	272	370	11967	3498	
F90 26.372 DFS	02.1990 - 06.1996	272	370	11967	3497	
F90 26.372 DFS	02.1990 - 06.1996	272	370	11967	3498	
F90 26.372 FNL,26.372 FNLL,26.372 FVL	09.1990 - 12.1995	272	370	11967	3497	
F90 26.372 FNL,26.372 FNLL,26.372 FVL	09.1990 - 12.1995	272	370	11967	3498	
F90 26.372 FNL,26.372 FNLL,26.372 FVL	09.1990 - 12.1995	272	370	11967	3498	3498
F90 26.372 FNLS,26.372 FVLS	01.1992 - 06.1996	272	370	11967	3497	
F90 26.372 FNLS,26.372 FVLS	01.1992 - 06.1996	272	370	11967	3498	
F90 26.372 FNLS,26.372 FVLS	01.1992 - 06.1996	272	370	11967	3498	3498
F90 26.402 DF,26.402 DFL	05.1994 - 06.1996	294	400	11967	3497	
F90 26.402 DF,26.402 DFL	05.1994 - 06.1996	294	400	11967	3498	
F90 26.402 DFK,26.402 DFLK	05.1994 - 06.1996	294	400	11967	3497	
F90 26.402 DFK,26.402 DFLK	05.1994 - 06.1996	294	400	11967	3498	
F90 26.402 DFS	05.1994 - 12.1995	294	400	11967	3497	
F90 26.402 DFS	05.1994 - 12.1995	294	400	11967	3498	
F90 26.402 FNL,26.402 FNLL,26.402 FVL	05.1994 - 06.1996	294	400	11967	3497	
F90 26.402 FNL,26.402 FNLL,26.402 FVL	05.1994 - 06.1996	294	400	11967	3498	
F90 26.402 FNL,26.402 FNLL,26.402 FVL	05.1994 - 06.1996	294	400	11967	3498	3498
F90 26.402 FNLS,26.402 FVLS	05.1994 - 06.1996	294	400	11967	3497	
F90 26.402 FNLS,26.402 FVLS	05.1994 - 06.1996	294	400	11967	3498	
F90 26.402 FNLS,26.402 FVLS	05.1994 - 06.1996	294	400	11967	3498	3498
F90 26.422 DF,26.422 DFL	02.1990 - 06.1996	309	420	11967	3497	
F90 26.422 DF,26.422 DFL	02.1990 - 06.1996	309	420	11967	3498	
F90 26.422 DFA	02.1990 - 12.1992	309	420	11967	3497	
F90 26.422 DFA	02.1990 - 12.1992	309	420	11967	3498	
F90 26.422 DFAK	02.1990 - 12.1992	309	420	11967	3497	
F90 26.422 DFAK	02.1990 - 12.1992	309	420	11967	3498	
F90 26.422 DFAS	02.1990 - 12.1992	309	420	11967	3497	
F90 26.422 DFAS	02.1990 - 12.1992	309	420	11967	3498	
F90 26.422 DFK	02.1990 - 12.1995	309	420	11967	3497	
F90 26.422 DFK	02.1990 - 12.1995	309	420	11967	3498	
F90 26.422 DFS	02.1990 - 12.1995	309	420	11967	3497	
F90 26.422 DFS	02.1990 - 12.1995	309	420	11967	3498	
F90 26.422 FNL,26.422 FNLL,26.422 FVL	09.1990 - 12.1995	309	420	11967	3497	
F90 26.422 FNL,26.422 FNLL,26.422 FVL	09.1990 - 12.1995	309	420	11967	3498	
F90 26.422 FNL,26.422 FNLL,26.422 FVL	09.1990 - 12.1995	309	420	11967	3498	3498
F90 26.422 FNLS,26.422 FVLS	01.1992 - 12.1995	309	420	11967	3497	
F90 26.422 FNLS,26.422 FVLS	01.1992 - 12.1995	309	420	11967	3498	
F90 26.422 FNLS,26.422 FVLS	01.1992 - 12.1995	309	420	11967	3498	3498
F90 26.462 DF	02.1989 - 02.1990	338	460	18273	3497	
F90 26.462 DF	02.1989 - 02.1990	338	460	18273	3498	
F90 26.462 DFA	08.1989 - 02.1990	338	460	18273	3497	
F90 26.462 DFA	08.1989 - 02.1990	338	460	18273	3498	
F90 26.462 DFAS	08.1989 - 02.1990	338	460	18273	3497	
F90 26.462 DFAS	08.1989 - 02.1990	338	460	18273	3498	
F90 26.462 DFS	02.1989 - 02.1990	338	460	18273	3497	
F90 26.462 DFS	02.1989 - 02.1990	338	460	18273	3498	
F90 26.502 DF	02.1990 - 06.1996	368	500	18273	3497	
F90 26.502 DF	02.1990 - 06.1996	368	500	18273	3498	

**MAKE & MODEL****YEAR****KW****PS****CC****MAN**

F90 26.502 DF	02.1990 - 06.1996	368	500	18273	3498	3498
F90 26.502 DFA	02.1990 - 12.1992	368	500	18273	3497	
F90 26.502 DFA	02.1990 - 12.1992	368	500	18273	3498	
F90 26.502 DFA	02.1990 - 12.1992	368	500	18273	3498	3498
F90 26.502 DFAS	02.1990 - 12.1992	368	500	18273	3497	
F90 26.502 DFAS	02.1990 - 12.1992	368	500	18273	3498	
F90 26.502 DFAS	02.1990 - 12.1992	368	500	18273	3498	3498
F90 26.502 DFS,26.502 DFLS	02.1990 - 06.1996	368	500	18273	3497	
F90 26.502 DFS,26.502 DFLS	02.1990 - 06.1996	368	500	18273	3498	
F90 26.502 DFS,26.502 DFLS	02.1990 - 06.1996	368	500	18273	3498	3498
F90 26.502 FNL,26.502 FNLL	09.1991 - 06.1996	368	500	18273	3497	
F90 26.502 FNL,26.502 FNLL	09.1991 - 06.1996	368	500	18273	3498	
F90 26.502 FNL,26.502 FNLL	09.1991 - 06.1996	368	500	18273	3498	3498
F90 32.262 VF	02.1989 - 02.1990	191	260	9973	3497	
F90 32.262 VF	02.1989 - 02.1990	191	260	9973	3498	
F90 32.262 VFK	02.1989 - 02.1990	191	260	9973	3497	
F90 32.262 VFK	02.1989 - 02.1990	191	260	9973	3498	
F90 32.262 VFTM	02.1989 - 02.1990	191	260	9973	3497	
F90 32.262 VFTM	02.1989 - 02.1990	191	260	9973	3498	
F90 32.272 VF	02.1990 - 04.1995	198	269	9973	3497	
F90 32.272 VF	02.1990 - 04.1995	198	269	9973	3498	
F90 32.272 VFK	02.1990 - 04.1995	198	269	9973	3497	
F90 32.272 VFK	02.1990 - 04.1995	198	269	9973	3498	
F90 32.292 VF	03.1988 - 02.1990	213	290	11967	3497	
F90 32.292 VF	03.1988 - 02.1990	213	290	11967	3498	
F90 32.292 VFK	03.1988 - 02.1990	213	290	11967	3497	
F90 32.292 VFK	03.1988 - 02.1990	213	290	11967	3498	
F90 32.302 VF	05.1990 - 09.1991	220	299	11967	3497	
F90 32.302 VF	05.1990 - 09.1991	220	299	11967	3498	
F90 32.302 VFK	05.1990 - 09.1991	220	299	11967	3497	
F90 32.302 VFK	05.1990 - 09.1991	220	299	11967	3498	
F90 32.322 VF	02.1990 - 06.1996	235	320	9973	3497	
F90 32.322 VF	02.1990 - 06.1996	235	320	9973	3498	
F90 32.322 VFK	02.1990 - 06.1996	235	320	9973	3497	
F90 32.322 VFK	02.1990 - 06.1996	235	320	9973	3498	
F90 32.332 VF	03.1988 - 02.1990	243	330	11967	3497	
F90 32.332 VF	03.1988 - 02.1990	243	330	11967	3498	
F90 32.332 VFK	03.1988 - 02.1990	243	330	11967	3497	
F90 32.332 VFK	03.1988 - 02.1990	243	330	11967	3498	
F90 32.342 VFK	05.1994 - 06.1996	250	340	9973	3497	
F90 32.342 VFK	05.1994 - 06.1996	250	340	9973	3498	
F90 32.362 VF	03.1988 - 02.1990	265	360	11967	3497	
F90 32.362 VF	03.1988 - 02.1990	265	360	11967	3498	
F90 32.362 VFK	03.1988 - 02.1990	265	360	11967	3497	
F90 32.362 VFK	03.1988 - 02.1990	265	360	11967	3498	
F90 32.372 VF	02.1990 - 06.1996	249	339	11967	3497	
F90 32.372 VF	02.1990 - 06.1996	249	339	11967	3498	
F90 32.372 VF	02.1990 - 06.1996	272	370	11967	3497	
F90 32.372 VF	02.1990 - 06.1996	272	370	11967	3498	
F90 32.372 VFK	02.1990 - 06.1996	272	370	11967	3497	
F90 32.372 VFK	02.1990 - 06.1996	272	370	11967	3498	
F90 32.372 VFK	05.1990 - 04.1995	249	339	11967	3497	
F90 32.372 VFK	05.1990 - 04.1995	249	339	11967	3498	
F90 32.402 VFK	05.1994 - 06.1996	294	400	11967	3497	
F90 32.402 VFK	05.1994 - 06.1996	294	400	11967	3498	
F90 32.422 VF	02.1990 - 06.1996	309	420	11967	3497	
F90 32.422 VF	02.1990 - 06.1996	309	420	11967	3498	
F90 32.422 VFK	02.1990 - 06.1996	309	420	11967	3497	
F90 32.422 VFK	02.1990 - 06.1996	309	420	11967	3498	
F90 33.242 DFAK	01.1988 - 08.1988	177	241	11967	3498	
F90 33.242 DFK	01.1988 - 08.1988	177	241	11967	3498	
F90 33.262 DF	08.1988 - 02.1990	191	260	9973	3497	
F90 33.262 DF	08.1988 - 02.1990	191	260	9973	3498	
F90 33.262 DFA	07.1989 - 02.1990	191	260	9973	3497	
F90 33.262 DFA	07.1989 - 02.1990	191	260	9973	3498	
F90 33.262 DFAK	07.1989 - 02.1990	191	260	9973	3497	
F90 33.262 DFAK	07.1989 - 02.1990	191	260	9973	3498	



**MAKE & MODEL****YEAR****KW****PS****CC****MAN**

F90 33.262 DFK	08.1988 - 02.1990	191	260	9973	3497	
F90 33.262 DFK	08.1988 - 02.1990	191	260	9973	3498	
F90 33.272 DF	10.1992 - 04.1995	198	269	9973	3497	
F90 33.272 DF	10.1992 - 04.1995	198	269	9973	3498	
F90 33.272 DFA	10.1992 - 04.1995	198	269	9973	3497	
F90 33.272 DFA	10.1992 - 04.1995	198	269	9973	3498	
F90 33.292 DF	09.1987 - 02.1990	213	290	11967	3497	
F90 33.292 DF	09.1987 - 02.1990	213	290	11967	3498	
F90 33.292 DFA	05.1988 - 02.1990	213	290	11967	3497	
F90 33.292 DFA	05.1988 - 02.1990	213	290	11967	3498	
F90 33.292 DFAK	05.1988 - 02.1990	213	290	11967	3497	
F90 33.292 DFAK	05.1988 - 02.1990	213	290	11967	3498	
F90 33.292 DFAS	05.1988 - 02.1990	213	290	11967	3497	
F90 33.292 DFAS	05.1988 - 02.1990	213	290	11967	3498	
F90 33.292 DFK	09.1987 - 02.1990	213	290	11967	3497	
F90 33.292 DFK	09.1987 - 02.1990	213	290	11967	3498	
F90 33.292 DFS	09.1987 - 02.1990	213	290	11967	3497	
F90 33.292 DFS	09.1987 - 02.1990	213	290	11967	3498	
F90 33.322 DF	09.1991 - 06.1996	235	320	9973	3497	
F90 33.322 DF	09.1991 - 06.1996	235	320	9973	3498	
F90 33.322 DFA	09.1991 - 06.1996	235	320	9973	3497	
F90 33.322 DFA	09.1991 - 06.1996	235	320	9973	3498	
F90 33.322 FVL	09.1991 - 06.1996	235	320	9973	3497	
F90 33.322 FVL	09.1991 - 06.1996	235	320	9973	3498	
F90 33.332 DF	09.1987 - 02.1990	243	330	9973	3497	
F90 33.332 DF	09.1987 - 02.1990	243	330	9973	3498	
F90 33.332 DFA	05.1988 - 02.1990	243	330	11967	3497	
F90 33.332 DFA	05.1988 - 02.1990	243	330	11967	3498	
F90 33.332 DFAK	05.1988 - 02.1990	243	330	11967	3497	
F90 33.332 DFAK	05.1988 - 02.1990	243	330	11967	3498	
F90 33.332 DFAS	05.1988 - 02.1990	243	330	11967	3497	
F90 33.332 DFAS	05.1988 - 02.1990	243	330	11967	3498	
F90 33.332 DFK	09.1987 - 02.1990	243	330	11967	3497	
F90 33.332 DFK	09.1987 - 02.1990	243	330	11967	3498	
F90 33.332 DFS	09.1987 - 02.1990	243	330	11967	3497	
F90 33.332 DFS	09.1987 - 02.1990	243	330	11967	3498	
F90 33.342 DF	05.1994 - 06.1996	250	340	9973	3497	
F90 33.342 DF	05.1994 - 06.1996	250	340	9973	3498	
F90 33.342 DFA	05.1994 - 06.1996	250	340	9973	3497	
F90 33.342 DFA	05.1994 - 06.1996	250	340	9973	3498	
F90 33.362 DF	09.1987 - 02.1990	265	360	11967	3497	
F90 33.362 DF	09.1987 - 02.1990	265	360	11967	3498	
F90 33.362 DFA	05.1988 - 02.1990	265	360	11967	3497	
F90 33.362 DFA	05.1988 - 02.1990	265	360	11967	3498	
F90 33.362 DFAK	05.1988 - 02.1990	265	360	11967	3497	
F90 33.362 DFAK	05.1988 - 02.1990	265	360	11967	3498	
F90 33.362 DFAS	05.1988 - 02.1990	265	360	11967	3497	
F90 33.362 DFAS	05.1988 - 02.1990	265	360	11967	3498	
F90 33.362 DFK	09.1987 - 02.1990	265	360	11967	3497	
F90 33.362 DFK	09.1987 - 02.1990	265	360	11967	3498	
F90 33.362 DFS	09.1987 - 02.1990	265	360	11967	3497	
F90 33.362 DFS	09.1987 - 02.1990	265	360	11967	3498	
F90 33.372 DF	09.1991 - 06.1996	272	370	11967	3497	
F90 33.372 DF	09.1991 - 06.1996	272	370	11967	3498	
F90 33.372 DFA	09.1991 - 06.1996	272	370	11967	3497	
F90 33.372 DFA	09.1991 - 06.1996	272	370	11967	3498	
F90 33.372 DFAK	01.1991 - 06.1996	272	370	11967	3497	
F90 33.372 DFAK	01.1991 - 06.1996	272	370	11967	3498	
F90 33.372 DFK	01.1991 - 06.1996	272	370	11967	3497	
F90 33.372 DFK	01.1991 - 06.1996	272	370	11967	3498	
F90 33.372 DFS	09.1991 - 06.1996	272	370	11967	3497	
F90 33.372 DFS	09.1991 - 06.1996	272	370	11967	3498	
F90 33.402 DF	05.1994 - 06.1996	294	400	11967	3497	
F90 33.402 DF	05.1994 - 06.1996	294	400	11967	3498	
F90 33.402 DFA	05.1994 - 06.1996	294	400	11967	3497	
F90 33.402 DFA	05.1994 - 06.1996	294	400	11967	3498	
F90 33.402 DFAK	05.1994 - 06.1996	294	400	11967	3497	

**MAKE & MODEL****YEAR****KW****PS****CC****MAN**

F90 33.402 DFAK	05.1994 - 06.1996	294	400	11967	3498	
F90 33.402 DFK	05.1994 - 06.1996	294	400	11967	3497	
F90 33.402 DFK	05.1994 - 06.1996	294	400	11967	3498	
F90 33.402 DFS	05.1994 - 06.1996	294	400	11967	3497	
F90 33.402 DFS	05.1994 - 06.1996	294	400	11967	3498	
F90 33.422 DF	09.1991 - 06.1996	309	420	11967	3497	
F90 33.422 DF	09.1991 - 06.1996	309	420	11967	3498	
F90 33.422 DFA	09.1991 - 06.1996	309	420	11967	3497	
F90 33.422 DFA	09.1991 - 06.1996	309	420	11967	3498	
F90 33.422 DFAK	01.1994 - 06.1996	309	420	11967	3497	
F90 33.422 DFAK	01.1994 - 06.1996	309	420	11967	3498	
F90 33.422 DFK	01.1994 - 06.1996	309	420	11967	3497	
F90 33.422 DFK	01.1994 - 06.1996	309	420	11967	3498	
F90 33.422 DFS	01.1994 - 06.1996	309	420	11967	3497	
F90 33.422 DFS	01.1994 - 06.1996	309	420	11967	3498	
F90 33.462 DF	07.1989 - 02.1990	338	460	18273	3497	
F90 33.462 DF	07.1989 - 02.1990	338	460	18273	3498	
F90 33.462 DFA	07.1989 - 02.1990	338	460	18273	3497	
F90 33.462 DFA	07.1989 - 02.1990	338	460	18273	3498	
F90 33.502 DF	09.1991 - 06.1996	368	500	18273	3497	
F90 33.502 DF	09.1991 - 06.1996	368	500	18273	3498	
F90 33.502 DFA	09.1991 - 06.1996	368	500	18273	3497	3498
F90 33.502 DFA	09.1991 - 06.1996	368	500	18273	3498	
F90 35.262 VF	02.1989 - 02.1990	191	260	9973	3497	
F90 35.262 VF	02.1989 - 02.1990	191	260	9973	3498	
F90 35.262 VFA	07.1989 - 02.1990	191	260	9973	3497	
F90 35.262 VFA	07.1989 - 02.1990	191	260	9973	3498	
F90 35.262 VFK	02.1989 - 02.1990	191	260	9973	3497	
F90 35.262 VFK	02.1989 - 02.1990	191	260	9973	3498	
F90 35.272 VF	02.1990 - 12.1991	198	269	9973	3497	
F90 35.272 VF	02.1990 - 12.1991	198	269	9973	3498	
F90 35.272 VFK	02.1990 - 12.1992	198	269	9973	3497	
F90 35.272 VFK	02.1990 - 12.1992	198	269	9973	3498	
F90 35.292 VF	10.1988 - 04.1995	213	290	11967	3497	
F90 35.292 VF	10.1988 - 04.1995	213	290	11967	3498	
F90 35.292 VFK	10.1988 - 04.1995	213	290	11967	3497	
F90 35.292 VFK	10.1988 - 04.1995	213	290	11967	3498	
F90 35.302 VF	05.1990 - 09.1991	220	299	11967	3497	
F90 35.302 VF	05.1990 - 09.1991	220	299	11967	3498	
F90 35.302 VFA	05.1990 - 09.1991	220	299	11967	3497	
F90 35.302 VFA	05.1990 - 09.1991	220	299	11967	3498	
F90 35.302 VFAK	05.1990 - 09.1991	220	299	11967	3497	
F90 35.302 VFAK	05.1990 - 09.1991	220	299	11967	3498	
F90 35.302 VFK	05.1990 - 09.1991	220	299	11967	3497	
F90 35.302 VFK	05.1990 - 09.1991	220	299	11967	3498	
F90 35.322 VFAK	02.1990 - 06.1996	235	320	9973	3497	
F90 35.322 VFAK	02.1990 - 06.1996	235	320	9973	3498	
F90 35.322 VFK	02.1990 - 06.1996	235	320	9973	3497	
F90 35.322 VFK	02.1990 - 06.1996	235	320	9973	3498	
F90 35.322 VK	02.1990 - 06.1996	235	320	9973	3497	
F90 35.322 VK	02.1990 - 06.1996	235	320	9973	3498	
F90 35.332 VF	10.1988 - 04.1995	243	330	11967	3497	
F90 35.332 VF	10.1988 - 04.1995	243	330	11967	3498	
F90 35.332 VFK	10.1988 - 04.1995	243	330	11967	3497	
F90 35.332 VFK	10.1988 - 04.1995	243	330	11967	3498	
F90 35.342 VF	05.1994 - 06.1996	250	340	9973	3497	
F90 35.342 VF	05.1994 - 06.1996	250	340	9973	3498	
F90 35.342 VFK	05.1994 - 06.1996	250	340	9973	3497	
F90 35.342 VFK	05.1994 - 06.1996	250	340	9973	3498	
F90 35.362 VF	10.1988 - 02.1990	265	360	11967	3497	
F90 35.362 VF	10.1988 - 02.1990	265	360	11967	3498	
F90 35.362 VFK	10.1988 - 02.1990	265	360	11967	3497	
F90 35.362 VFK	10.1988 - 02.1990	265	360	11967	3498	
F90 35.372 VF	02.1990 - 04.1995	249	339	11967	3497	
F90 35.372 VF	02.1990 - 04.1995	249	339	11967	3498	
F90 35.372 VF	02.1990 - 06.1996	272	370	11967	3497	

**MAKE & MODEL****YEAR****KW****PS****CC****MAN**

F90 35.372 VF	02.1990 - 06.1996	272	370	11967	3498
F90 35.372 VF	02.1990 - 12.1997	272	370	11967	3497
F90 35.372 VF	02.1990 - 12.1997	272	370	11967	3498
F90 35.372 VFK	02.1990 - 04.1995	249	339	11967	3497
F90 35.372 VFK	02.1990 - 04.1995	249	339	11967	3498
F90 35.372 VFK	02.1990 - 06.1996	272	370	11967	3497
F90 35.372 VFK	02.1990 - 06.1996	272	370	11967	3498
F90 35.372 VFK	02.1990 - 12.1997	272	370	11967	3497
F90 35.372 VFK	02.1990 - 12.1997	272	370	11967	3498
F90 35.402 VF	05.1994 - 06.1996	294	400	11967	3497
F90 35.402 VF	05.1994 - 06.1996	294	400	11967	3498
F90 35.402 VF	05.1994 - 12.1997	294	400	11967	3497
F90 35.402 VF	05.1994 - 12.1997	294	400	11967	3498
F90 35.402 VFK	05.1994 - 06.1996	294	400	11967	3497
F90 35.402 VFK	05.1994 - 06.1996	294	400	11967	3498
F90 35.402 VFK	05.1994 - 12.1997	294	400	11967	3497
F90 35.402 VFK	05.1994 - 12.1997	294	400	11967	3498
F90 35.422 VF	02.1990 - 06.1996	309	420	11967	3497
F90 35.422 VF	02.1990 - 06.1996	309	420	11967	3498
F90 35.422 VF	02.1990 - 12.1997	309	420	11967	3497
F90 35.422 VF	02.1990 - 12.1997	309	420	11967	3498
F90 35.422 VFK	02.1990 - 06.1996	309	420	11967	3497
F90 35.422 VFK	02.1990 - 06.1996	309	420	11967	3498
F90 35.422 VFK	02.1990 - 12.1997	309	420	11967	3497
F90 35.422 VFK	02.1990 - 12.1997	309	420	11967	3498
F90 35.422 VFK	02.1990 - 12.1997	309	420	11967	3497
F90 35.422 VFK	02.1990 - 12.1997	309	420	11967	3498
F90 40.372 DF	12.1991 - 06.1996	272	370	11967	3497
F90 40.372 DF	12.1991 - 06.1996	272	370	11967	3498
F90 40.372 DFA	12.1991 - 06.1996	272	370	11967	3497
F90 40.372 DFA	12.1991 - 06.1996	272	370	11967	3498
F90 40.402 DF	05.1995 - 06.1996	294	400	11967	3497
F90 40.402 DF	05.1995 - 06.1996	294	400	11967	3498
F90 40.402 DFA	05.1995 - 06.1996	294	400	11967	3497
F90 40.402 DFA	05.1995 - 06.1996	294	400	11967	3498
F90 40.422 DF	12.1991 - 06.1996	309	420	11967	3497
F90 40.422 DF	12.1991 - 06.1996	309	420	11967	3498
F90 40.422 DFA	12.1991 - 06.1996	309	420	11967	3497
F90 40.422 DFA	12.1991 - 06.1996	309	420	11967	3498
F90 40.462 DF	07.1989 - 02.1990	338	460	18273	3497
F90 40.462 DF	07.1989 - 02.1990	338	460	18273	3498
F90 40.462 DFA	07.1989 - 02.1990	338	460	18273	3497
F90 40.462 DFA	07.1989 - 02.1990	338	460	18273	3498
F90 40.502 DFA	02.1990 - 06.1996	368	500	18273	3497
F90 40.502 DFA	02.1990 - 06.1996	368	500	18273	3498
F90 41.262 VF	07.1989 - 02.1990	191	260	9973	3497
F90 41.262 VF	07.1989 - 02.1990	191	260	9973	3498
F90 41.262 VFK	07.1989 - 02.1990	191	260	9973	3497
F90 41.262 VFK	07.1989 - 02.1990	191	260	9973	3498
F90 41.272 VF	02.1990 - 12.1991	198	269	9973	3497
F90 41.272 VF	02.1990 - 12.1991	198	269	9973	3498
F90 41.292 VF	10.1988 - 02.1990	213	290	11967	3497
F90 41.292 VF	10.1988 - 02.1990	213	290	11967	3498
F90 41.292 VFK	10.1988 - 02.1990	213	290	11967	3497
F90 41.292 VFK	10.1988 - 02.1990	213	290	11967	3498
F90 41.322 VF	02.1990 - 06.1996	235	320	9973	3497
F90 41.322 VF	02.1990 - 06.1996	235	320	9973	3498
F90 41.332 VF	10.1988 - 02.1990	243	330	11967	3497
F90 41.332 VF	10.1988 - 02.1990	243	330	11967	3498
F90 41.332 VFK	10.1988 - 02.1990	243	330	11967	3497
F90 41.332 VFK	10.1988 - 02.1990	243	330	11967	3498
F90 41.342 VF	05.1994 - 06.1996	250	340	9973	3497
F90 41.342 VF	05.1994 - 06.1996	250	340	9973	3498
F90 41.362 VF	10.1988 - 02.1990	265	360	11967	3497
F90 41.362 VF	10.1988 - 02.1990	265	360	11967	3498
F90 41.362 VFK	10.1988 - 02.1990	265	360	11967	3497
F90 41.362 VFK	10.1988 - 02.1990	265	360	11967	3498
F90 41.372 VF	02.1990 - 06.1996	272	370	11967	3497
F90 41.372 VF	02.1990 - 06.1996	272	370	11967	3498

**MAKE & MODEL****YEAR****KW****PS****CC****MAN**

F90 41.402 VF	05.1994 - 06.1996	294	400	11967	3497	
F90 41.402 VF	05.1994 - 06.1996	294	400	11967	3498	
F90 41.422 VF	02.1990 - 06.1996	309	420	11967	3497	
F90 41.422 VF	02.1990 - 06.1996	309	420	11967	3498	
F90 48.292 VF	07.1989 - 02.1990	213	290	11967	3497	
F90 48.292 VF	07.1989 - 02.1990	213	290	11967	3498	
F90 48.292 VFA	07.1989 - 02.1990	213	290	11967	3497	
F90 48.292 VFA	07.1989 - 02.1990	213	290	11967	3498	
F90 48.292 VFAK	07.1989 - 02.1990	213	290	11967	3497	
F90 48.292 VFAK	07.1989 - 02.1990	213	290	11967	3498	
F90 48.332 VF	07.1989 - 02.1990	243	330	11967	3497	
F90 48.332 VF	07.1989 - 02.1990	243	330	11967	3498	
F90 48.332 VFA	07.1989 - 02.1990	243	330	11967	3497	
F90 48.332 VFA	07.1989 - 02.1990	243	330	11967	3498	
F90 48.332 VFAK	07.1989 - 02.1990	243	330	11967	3497	
F90 48.332 VFAK	07.1989 - 02.1990	243	330	11967	3498	
F90 48.362 VF	07.1989 - 02.1990	265	360	11967	3497	
F90 48.362 VF	07.1989 - 02.1990	265	360	11967	3498	
F90 48.362 VFA	07.1989 - 02.1990	265	360	11967	3497	
F90 48.362 VFA	07.1989 - 02.1990	265	360	11967	3498	
F90 48.362 VFAK	07.1989 - 02.1990	265	360	11967	3497	
F90 48.362 VFAK	07.1989 - 02.1990	265	360	11967	3498	
F90 48.462 VF	07.1989 - 02.1990	338	460	18273	3497	
F90 48.462 VF	07.1989 - 02.1990	338	460	18273	3498	
FOCL 12.240	08.2007 -	176	240	6871	3498	
FOCL 12.240	08.2007 -	176	240	6871	3498	3498
FOCL 12.250	08.2004 -	184	250	6871	3498	
FOCL 12.250	08.2004 -	184	250	6871	3498	3498
HOCL 12.220 HOCL/R-NL	04.1999 - 05.2009	162	220	6871	3498	
HOCL 12.220 HOCL/R-NL	04.1999 - 05.2009	162	220	6871	3498	3498
HOCL 12.240 HOCL-NL	05.2000 -	176	240	6871	3498	
HOCL 12.240 HOCL-NL	05.2000 -	176	240	6871	3498	3498
HOCL 14.220 HOCL/R-NL	01.1998 -	162	220	6871	3498	
HOCL 14.220 HOCL/R-NL	01.1998 -	162	220	6871	3498	3498
HOCL 14.240 HOCL-NL	05.2000 -	176	240	6871	3498	
HOCL 14.240 HOCL-NL	05.2000 -	176	240	6871	3498	3498
HOCL 14.250 HOCL-NL	05.2007 -	184	250	6871	3498	
HOCL 14.250 HOCL-NL	05.2007 -	184	250	6871	3498	3498
HOCL 14.280 HOCL	08.2002 - 12.2014	206	280	6871	3498	
HOCL 14.280 HOCL	08.2002 - 12.2014	206	280	6871	3498	3498
HOCL 14.290 HOCL-NL	05.2007 -	213	290	6871	3498	
HOCL 14.290 HOCL-NL	05.2007 -	213	290	6871	3498	3498
HOCL 18.220 HOCL/R-NL, HOCL/SKD(SL)	08.1993 - 05.2001	162	220	6871	3498	
HOCL 18.220 HOCL/R-NL, HOCL/SKD(SL)	08.1993 - 05.2001	162	220	6871	3498	3498
HOCL 18.240 HOCL-NL	08.2002 - 10.2009	176	240	6871	3498	
HOCL 18.240 HOCL-NL	08.2002 - 10.2009	176	240	6871	3498	3498
HOCL 18.250 HOCL-NL, HOCL-SKD(SL)	08.1993 - 05.2001	184	250	6871	3498	
HOCL 18.250 HOCL-NL, HOCL-SKD(SL)	08.1993 - 05.2001	184	250	6871	3498	3498
HOCL 18.280 HOCL-NL	05.2002 - 08.2008	206	280	6871	3498	
HOCL 18.280 HOCL-NL	05.2002 - 08.2008	206	280	6871	3498	3498
HOCL 18.290 HOCL-NL	05.2007 - 12.2014	213	290	6871	3498	
HOCL 18.290 HOCL-NL	05.2007 - 12.2014	213	290	6871	3498	3498
HOCL 18.310 HOCL/R	01.1992 -	228	310	11967	3498	
HOCL 18.310 HOCL/R	01.1992 -	228	310	11967	3498	3498
HOCL 18.310 HOCL-NL	01.2006 - 10.2009	228	310	10518	3498	
HOCL 18.310 HOCL-NL	01.2006 - 10.2009	228	310	10518	3498	3498
HOCL 18.310 HOCL-NL	05.2007 -	228	310	12816	3498	
HOCL 18.310 HOCL-NL	05.2007 -	228	310	12816	3498	3498
HOCL 18.320 HOCL-NL	05.2007 - 12.2014	235	320	10518	3498	
HOCL 18.320 HOCL-NL	05.2007 - 12.2014	235	320	10518	3498	3498
HOCL 18.360 HOCL	01.2006 - 12.2014	265	360	10518	3498	
HOCL 18.360 HOCL	01.2006 - 12.2014	265	360	10518	3498	3498
HOCL 18.400 HOCL	01.2006 - 12.2014	294	400	10518	3498	
HOCL 18.400 HOCL	01.2006 - 12.2014	294	400	10518	3498	3498
HOCL 18.430 HOCL	01.2006 - 10.2009	316	430	10518	3498	
HOCL 18.430 HOCL	01.2006 - 10.2009	316	430	10518	3498	3498
HOCL 18.440 HOCL	01.2006 - 10.2009	324	440	10518	3498	

**MAKE & MODEL****YEAR****KW****PS****CC****MAN**

HOCL 18.440 HOCL	01.2006 - 10.2009	324	440	10518	3498	3498
HOCL 18.460 HOCL	03.2006 - 10.2009	338	460	12419	3498	
HOCL 18.460 HOCL	03.2006 - 10.2009	338	460	12419	3498	3498
HOCL 18.480 HOCL	05.2007 - 12.2014	353	480	12419	3498	
HOCL 18.480 HOCL	05.2007 - 12.2014	353	480	12419	3498	3498
HOCL 24.440 HOCLN	01.2006 - 10.2009	316	430	10518	3498	
HOCL 24.440 HOCLN	01.2006 - 10.2009	316	430	10518	3498	3498
HOCL 24.440 HOCLN	01.2006 - 10.2009	324	440	10518	3498	
HOCL 24.440 HOCLN	01.2006 - 10.2009	324	440	10518	3498	3498
HOCL 24.460 HOCLN	03.2006 - 12.2014	338	460	12419	3498	
HOCL 24.460 HOCLN	03.2006 - 12.2014	338	460	12419	3498	3498
HOCL 24.480 HOCLN	05.2007 - 12.2014	353	480	12419	3498	
HOCL 24.480 HOCLN	05.2007 - 12.2014	353	480	12419	3498	3498
L2000 10.145 LC,10.145 LLC, LRC, LLRC (LE140C)	09.2000 -	103	140	4580	3565	
L2000 10.153 LAEK	10.1993 - 06.1996	114	155	4580	3498	
L2000 10.163 LAC, LAEC, LARC, LAERC	05.1994 -	114	155	4580	3565	
L2000 10.163 LAEK, LAEK-L, LAERK, LAERK-L, LAK, LAK-L, LARK	01.1995 -	114	155	4580	3565	
L2000 10.163 LC,10.163 LLC, LRC, LLRC (LE160C)	09.2000 -	114	155	4580	3565	
L2000 10.163 LK, L-KI, LRK, LR-KI, LRK-L, LK-L	05.1994 -	114	155	4580	3565	
L2000 10.163 LLS, LLRS	05.1994 -	114	155	4580	3565	
L2000 10.185 LAC, LAEC, LARC, LAERC, LA-LA (LE180C)	09.2000 -	132	180	4580	3565	
L2000 10.185 LAEK, LAEK-L, LAERK, LAERK-L, LAK, LAK-L, LARK	09.2000 -	132	180	4580	3565	
L2000 10.185 LC,10.185 LLC, LRC, LLRC (LE180C)	09.2000 -	132	180	4580	3565	
L2000 10.185 LK, L-KI, LRK, LR-KI, LRK-L, LK-L (LE180C)	09.2000 -	132	180	4580	3565	
L2000 10.185 LLS, LLRS (LE180C)	09.2000 -	132	180	4580	3565	
L2000 10.220 FOC,10.220 FOCL	02.1995 -	162	220	6871	3565	
L2000 10.224 LAC, LAEC, LARC, LAERC	01.1995 -	162	220	6871	3565	
L2000 10.224 LAEK, LAEK-L, LAERK, LAERK-L, LAK, LAK-L, LARK	01.1995 -	162	220	6871	3565	
L2000 10.224 LC,10.224 LLC, LRC, LLRC	05.1994 -	162	220	6871	3565	
L2000 10.224 LK, L-KI, LRK, LR-KI, LRK-L, LK-L	05.1994 -	162	220	6871	3565	
L2000 10.224 LLS, LLRS	05.1994 -	162	220	6871	3565	
L2000 10.225 LAC, LAEC, LARC, LAERC (LE220C)	09.2000 -	162	220	6871	3565	
L2000 10.225 LAEK, LAEK-L, LAERK, LAERK-L, LAK, LAK-L, LARK	09.2000 -	162	220	6871	3565	
L2000 10.225 LC, 10.225 LLC, LRC, LLRC (LE220C)	09.2000 -	162	220	6871	3565	
L2000 10.225 LK, L-KI, LRK, LR-KI, LRK-L, LK-L (LE220C)	09.2000 -	162	220	6871	3565	
L2000 10.225 LLS, LLRS (LE220C)	09.2000 -	162	220	6871	3565	
L2000 12.185 LC, LLC (LE180C)	09.1999 -	132	180	4580	3565	
L2000 12.225 LC, LLC (LE220C)	09.1999 -	162	220	6871	3565	
L2000 8.113 LC, 8.113 LLC	08.1995 -	81	110	4580	3565	
L2000 8.113 LC,8.113 LLC, LRC, LLRC(LE110C)	09.2000 -	83	113	4580	3565	
L2000 8.113 LK, L-KI, LRK, LR-KI, LRK-L, LK-L	08.1995 -	81	110	4580	3565	
L2000 8.145 LC, LLC, LLRC, LRC (LE140C)	09.2000 -	103	140	4580	3565	
L2000 8.145 LK, LRK, L-KI, LRK-L, LK-L, LR-KILK (LE140C)	09.2000 -	103	140	4580	3565	
L2000 8.145 LLS, LLRS (LE140C)	09.2000 -	103	140	4580	3565	
L2000 8.150 FOC,8.150 FOCL	02.1995 -	114	155	4580	3565	
L2000 8.153 LAEC	01.1995 - 06.1996	114	155	4580	3498	
L2000 8.163 LAC, LAEC, LARC, LAERC, LA-LF, LAE-LF	01.1995 -	114	155	4580	3565	
L2000 8.163 LAEC	08.1995 - 03.1997	104	141	4580	3565	
L2000 8.163 LC, LLC, LLRC, LRC (LE160C)	09.2000 -	114	155	4580	3565	
L2000 8.163 LC,8.163 LLC	05.1994 -	114	155	4580	3565	
L2000 8.163 LC,8.163 LLC, LRC, LLRC, L-LF	08.1995 -	104	141	4580	3565	
L2000 8.163 LK, L-KI, LRK, LR-KI, LRK-L, LK-L	05.1994 -	114	155	4580	3565	
L2000 8.163 LLS, LLRS	05.1994 -	114	155	4580	3565	
L2000 8.185 LAC, LAEC, LARC, LAERC, LA-LF, LAE-LF (LE180C)	09.2000 -	132	180	4580	3565	
L2000 8.185 LAEK, LAEK-L, LAERK, LAERK-L, LAK, LAK-L, LARK, LARK-L	09.2000 -	132	180	4580	3565	
L2000 8.185 LC, LLC, LRC, LLRC (LE180C)	09.2000 -	132	180	4580	3565	
L2000 8.185 LK, L-KI, LRK, LR-KI LRK-L, LK-L(LE180C)	09.2000 -	132	180	4580	3565	
L2000 8.185 LLS, LLRS (LE180C)	09.2000 -	132	180	4580	3565	
L2000 8.220 FOC,8.220 FOCL	04.1995 -	162	220	6871	3565	
L2000 8.223 LAEC	01.1995 - 06.1996	162	220	6871	3498	
L2000 8.224 LAK, LAEK, LARK, LAERK	01.1995 -	162	220	6871	3565	
L2000 8.224 LC,8.224 LLC, LRC, LLRC	05.1994 -	162	220	6871	3565	
L2000 8.224 LK, LRK, L-KI, LR-KI	05.1994 -	162	220	6871	3565	
L2000 8.224 LLS, LLRS	05.1994 -	162	220	6871	3565	
L2000 8.225 LAC, LAEC, LARC, LAERC (LE220C)	09.2000 -	162	220	6871	3565	
L2000 8.225 LAEK, LAEK-L, LAERK, LAERK-L, LAK, LAK-L, LARK, LARK-L	09.2000 -	162	220	6871	3565	
L2000 8.225 LC,8.225 LLC, LRC, LLRC (LE220C)	09.2000 -	162	220	6871	3565	

**MAKE & MODEL****YEAR****KW****PS****CC****MAN**

L2000 8.225 LK, L-KI, LRK, LR-KI, LRK-L, LK-L (LE220C)	09.2000 -	162	220	6871	3565	
L2000 8.225 LLS, LLRS (LE220C)	09.2000 -	162	220	6871	3565	
L2000 9.145 LC,9.145 LLC, LRC, LLRC (LE140C)	09.2000 -	103	140	4580	3565	
L2000 9.145 LK, L-KI, LRK, LR-KI, LRK-L, LK-L (LE140C)	09.2000 -	103	140	4580	3565	
L2000 9.145 LLS, LLRS (LE140C)	09.2000 -	103	140	4580	3565	
L2000 9.163 LC	08.1995 - 03.1997	104	141	4580	3565	
L2000 9.163 LC,9.163 LLC, LRC, LLRC	05.1994 -	114	155	4580	3565	
L2000 9.163 LK	08.1995 - 03.1997	104	141	4580	3565	
L2000 9.163 LK, L-KI, LRK, LR-KI, LRK-L, LK-L	05.1994 -	114	155	4580	3565	
L2000 9.163 LLS, LLRS	05.1994 -	114	155	4580	3565	
L2000 9.185 LC,9.185 LLC, LRC, LLRC (LE180C)	09.2000 -	132	180	4580	3565	
L2000 9.185 LK, L-KI, LRK, LR-KI, LRK-L, LK-L (LE180C)	09.2000 -	132	180	4580	3565	
L2000 9.185 LLS, LLRS (LE 180C)	09.2000 -	132	180	4580	3565	
L2000 9.224 LC,9.224 LLC, LRC, LLRC	05.1994 -	162	220	6871	3565	
L2000 9.224 LK, L-KI, LRK, LR-KI, LRK-L, LK-L	05.1994 -	162	220	6871	3565	
L2000 9.224 LLS, LLRS	05.1994 -	162	220	6871	3565	
L2000 9.225 LC,9.225 LLC, LRC, LLRC (LE220C)	09.2000 -	162	220	6871	3565	
L2000 9.225 LK, L-KI, LRK, LR-KI, LRK-L, LK-L (LE220C)	09.2000 -	162	220	6871	3565	
L2000 9.225 LLS, LLRS (LE220C)	09.2000 -	162	220	6871	3565	
LION'S CITY 19.240	05.2004 - 10.2009	176	240	6871	3498	
LION'S CITY 19.240	05.2004 - 10.2009	176	240	6871	3498	3498
LION'S CITY 19.280	05.2004 -	206	280	6871	3498	
LION'S CITY 19.280	05.2004 -	206	280	6871	3498	3498
LION'S CITY 19.290	05.2004 -	213	290	6871	3498	
LION'S CITY 19.290	05.2004 -	213	290	6871	3498	3498
LION'S CITY A 20	07.1998 -	191	260	6871	4091	
LION'S CITY A 20	07.1998 -	191	260	6871	3498	3498
LION'S CITY A 21	06.1996 -	184	250	6871	4091	
LION'S CITY A 21	06.1996 -	184	250	6871	3828	3828
LION'S CITY A 22	10.2009 -	206	280	10518	4091	
LION'S CITY A 22	10.2009 -	235	320	10518	4091	
LION'S CITY A 22	10.2009 -	235	320	12816	4091	
LION'S CITY A 22	10.2009 -	265	360	10518	4091	
LION'S CITY A 23	08.1996 -	191	260	11967	4091	
LION'S CITY A 23	08.1996 -	191	260	11967	3828	3828
LION'S CITY A 26	02.1998 -	257	350	11967	4091	
LION'S CITY A 26	02.1998 -	257	350	11967	3828	3828
LION'S CITY A 26	05.2004 - 10.2009	265	360	11967	4091	
LION'S CITY A 26	05.2004 - 10.2009	265	360	11967	3828	3828
LION'S CITY A 35	10.2009 -	184	250	6871	4091	
LION'S CITY A 35	10.2009 -	213	290	6871	4091	
LION'S CITY A 37	01.2002 - 10.2009	206	280	6871	4091	
LION'S CITY A 37	01.2002 - 10.2009	206	280	6871	3828	3828
LION'S CITY A 39	08.2004 -	228	310	11967	3498	
LION'S CITY A 39	08.2004 -	228	310	11967	4091	
LION'S CITY A 39	08.2004 -	228	310	11967	3498	3498
LION'S CITY A 66	02.2009 -	184	250	6871	4091	
LION'S CITY A 66	02.2009 -	213	290	6871	4091	
LION'S COACH FRH 352,RH 353	06.1996 - 10.2001	257	350	11967	3497	
LION'S COACH FRH 352,RH 353	06.1996 - 10.2001	257	350	11967	3498	
LION'S COACH FRH 352,RH 353	06.1996 - 10.2001	257	350	11967	3498	3498
LION'S COACH FRH 402,RH 403	09.1995 -	294	400	11967	3497	
LION'S COACH FRH 402,RH 403	09.1995 -	294	400	11967	3498	
LION'S COACH FRH 402,RH 403	09.1995 -	294	400	11967	3498	3498
LION'S COACH RH 403	09.1998 -	294	400	11967	3497	
LION'S COACH RH 403	09.1998 -	294	400	11967	3498	
LION'S COACH RH 403	09.1998 -	294	400	11967	3498	3498
LION'S COACH RH 413	01.2000 -	301	410	11967	3497	
LION'S COACH RH 413	01.2000 -	301	410	11967	3498	
LION'S COACH RH 413	01.2000 -	301	410	11967	3498	3498
LION'S COACH RH 463, RHC 464	01.2000 -	338	460	12816	3497	
LION'S COACH RH 463, RHC 464	01.2000 -	338	460	12816	3498	
LION'S COACH RH 463, RHC 464	01.2000 -	338	460	12816	3498	3498
LION'S COACH RHC 414	06.2002 -	301	410	11967	3497	
LION'S COACH RHC 414	06.2002 -	301	410	11967	3498	
LION'S COACH RHC 414	06.2002 -	301	410	11967	3498	3498
LION'S COMFORT RN 313	09.1996 -	228	310	11967	3497	



**MAKE & MODEL****YEAR****KW****PS****CC****MAN**

LION'S COMFORT RN 313	09.1996 -	228	310	11967	3498	
LION'S COMFORT RN 313	09.1996 -	228	310	11967	3498	3498
LION'S COMFORT RN 353	06.1997 -	257	350	11967	3497	
LION'S COMFORT RN 353	06.1997 -	257	350	11967	3498	
LION'S COMFORT RN 353	06.1997 -	257	350	11967	3498	3498
LION'S REGIO 320, C 320	01.2015 -	235	320	10518	4091	
LION'S REGIO 360, C 360	01.2015 -	265	360	10518	4091	
LION'S REGIO 400, C 400	01.2015 -	294	400	10518	4091	
LION'S REGIO L 320	01.2015 -	235	320	10518	4091	
LION'S REGIO L 360	01.2015 -	265	360	10518	4091	
LION'S REGIO L 400	01.2015 -	294	400	10518	4091	
LION'S STAR FRH 352,RH 353	09.1995 - 02.2002	257	350	11967	3497	
LION'S STAR FRH 352,RH 353	09.1995 - 02.2002	257	350	11967	3498	
LION'S STAR FRH 352,RH 353	09.1995 - 02.2002	257	350	11967	3498	3498
LION'S STAR FRH 402,RH 403	09.1995 - 10.2001	294	400	11967	3497	
LION'S STAR FRH 402,RH 403	09.1995 - 10.2001	294	400	11967	3498	
LION'S STAR FRH 402,RH 403	09.1995 - 10.2001	294	400	11967	3498	3498
LION'S STAR FRH 422	01.1993 - 09.1996	309	420	11967	3497	
LION'S STAR FRH 422	01.1993 - 09.1996	309	420	11967	3498	
LION'S STAR FRH 422	01.1993 - 09.1996	309	420	11967	3498	3498
LION'S STAR RH 414, RHS 414	06.2000 - 04.2007	301	410	11967	3497	
LION'S STAR RH 414, RHS 414	06.2000 - 04.2007	301	410	11967	3498	
LION'S STAR RH 414, RHS 414	06.2000 - 04.2007	301	410	11967	3498	3498
LION'S STAR RH 464, RHS 464	06.2000 - 04.2007	338	460	12816	3497	
LION'S STAR RH 464, RHS 464	06.2000 - 04.2007	338	460	12816	3498	
LION'S STAR RH 464, RHS 464	06.2000 - 04.2007	338	460	12816	3498	3498
M 2000 L 12.163 LC, LLC, LRC, LLRC	08.1995 -	114	155	4580	3565	
M 2000 L 12.163 LK, LRK	08.1995 -	114	155	4580	3565	
M 2000 L 12.224 LC, LLC, LRC, LLRC	08.1995 -	162	220	6871	3565	
M 2000 L 12.224, 12.225, LK, LRK	08.1995 -	162	220	6871	3565	
M 2000 L 14.163 LC, LLC, LRC, LLRC	08.1995 -	114	155	4580	3789	3789
M 2000 L 14.163 LC, LLC, LRC, LLRC	08.1995 -	114	155	4580	3789/1	3789/1
M 2000 L 14.163 LK, LRK	08.1995 -	114	155	4580	3498	3498
M 2000 L 14.224 LAC, LARC	08.1995 -	162	220	6871	3498	3498
M 2000 L 14.224 LAK, LARK, LAK-L	08.1995 -	162	220	6871	3498	3498
M 2000 L 14.224 LC, LLC, LLLC, LRC, LLRC, LLLRC	08.1995 -	162	220	6871	3789	3789
M 2000 L 14.224 LC, LLC, LLLC, LRC, LLRC, LLLRC	08.1995 -	162	220	6871	3789/1	3789/1
M 2000 L 14.224 LK, LRK	08.1995 -	162	220	6871	3498	3498
M 2000 L 14.225 LAC, LARC, (LE220B)	09.2000 -	162	220	6871	3789	3789
M 2000 L 14.225 LAC, LARC, (LE220B)	09.2000 -	162	220	6871	3789/1	3789/1
M 2000 L 14.225 LAK, LARK, LAK-L, (LE220B)	09.2000 -	162	220	6871	3789	3789
M 2000 L 14.225 LAK, LARK, LAK-L, (LE220B)	09.2000 -	162	220	6871	3789/1	3789/1
M 2000 L 14.225 LC, LLC, LLLC, LRC, LLRC, LLLRC (LE220B)	09.2000 -	162	220	6871	3789	3789
M 2000 L 14.225 LC, LLC, LLLC, LRC, LLRC, LLLRC (LE220B)	09.2000 -	162	220	6871	3789/1	3789/1
M 2000 L 14.225 LK, LRK (LE220B)	09.2000 -	162	220	6871	3789	3789
M 2000 L 14.225 LK, LRK (LE220B)	09.2000 -	162	220	6871	3789/1	3789/1
M 2000 L 14.255 LC, LLC, LLLC, LRC, LLRC, LLLRC (LE250B)	09.2000 -	180	245	6871	3789	3789
M 2000 L 14.255 LC, LLC, LLLC, LRC, LLRC, LLLRC (LE250B)	09.2000 -	180	245	6871	3789/1	3789/1
M 2000 L 14.263, 14.264 LAC, LARC	08.1995 -	191	260	6871	3498	3498
M 2000 L 14.263, 14.264 LAK, LARK, LAK-L	08.1995 -	191	260	6871	3498	3498
M 2000 L 14.263, 14.264 LC, LLC, LLLC, LRC, LLRC, LLLRC	08.1995 -	191	260	6871	3789	3789
M 2000 L 14.263, 14.264 LC, LLC, LLLC, LRC, LLRC, LLLRC	08.1995 -	191	260	6871	3789/1	3789/1
M 2000 L 14.263, 14.264 LK, LRK	08.1995 -	191	260	6871	3498	3498
M 2000 L 14.284 LC, LLC, LLLC, LRC, LLRC, LLLRC	10.1998 -	206	280	6871	3789	3789
M 2000 L 14.284 LC, LLC, LLLC, LRC, LLRC, LLLRC	10.1998 -	206	280	6871	3789/1	3789/1
M 2000 L 14.284, 14.285, LAC, LARC	06.1998 -	206	280	6871	3498	
M 2000 L 14.284, 14.285, LAK, LARK, LAK-L	06.1998 -	206	280	6871	3498	
M 2000 L 14.284, 14.285, LA-LF	06.1998 -	206	280	6871	3498	
M 2000 L 14.284, 14.285, LK, LRK	10.1998 -	206	280	6871	3498	
M 2000 L 14.285 LC, LLC, LLLC, LRC, LLRC, LLLRC,(LE280B)	09.2000 -	206	280	6871	3789	3789
M 2000 L 14.285 LC, LLC, LLLC, LRC, LLRC, LLLRC,(LE280B)	09.2000 -	206	280	6871	3789/1	3789/1
M 2000 L 15.163 LC, LLC, LLLC, LLLRC, LLRC, LRC	08.1995 -	114	155	4580	3497	
M 2000 L 15.163 LC, LLC, LLLC, LLLRC, LLRC, LRC	08.1995 -	114	155	4580	3498	3498
M 2000 L 15.163 LK, LRK, LK-L	08.1995 -	114	155	4580	3497	
M 2000 L 15.163 LK, LRK, LK-L	08.1995 -	114	155	4580	3498	3498
M 2000 L 15.185 LC, LLC, LLLC, LLLRC, LLRC, LRC	05.2001 -	132	180	4580	3497	
M 2000 L 15.185 LC, LLC, LLLC, LLLRC, LLRC, LRC	05.2001 -	132	180	4580	3498	

**MAKE & MODEL****YEAR****KW****PS****CC****MAN**

M 2000 L 15.185 LC, LLC, LLLC, LLLRC, LLRC, LRC	05.2001 -	132	180	4580	3498	3498
M 2000 L 15.185 LK, LRK, LK-L	11.2002 -	132	180	4580	3497	
M 2000 L 15.185 LK, LRK, LK-L	11.2002 -	132	180	4580	3789	3789
M 2000 L 15.185 LK, LRK, LK-L	11.2002 -	132	180	4580	3789/1	3789/1
M 2000 L 15.224 LC, LLC, LLLC, LRC, LLRC, LLLRC	08.1995 -	162	220	6871	3497	
M 2000 L 15.224 LC, LLC, LLLC, LRC, LLRC, LLLRC	08.1995 -	162	220	6871	3498	3498
M 2000 L 15.224 LK, LRK, LK-L	08.1995 -	162	220	6871	3497	
M 2000 L 15.224 LK, LRK, LK-L	08.1995 -	162	220	6871	3498	3498
M 2000 L 15.225 LC, LLC, LLLC, LRC, LLRC, LLLRC, (LE220B)	09.1999 -	162	220	6871	3497	
M 2000 L 15.225 LC, LLC, LLLC, LRC, LLRC, LLLRC, (LE220B)	09.1999 -	162	220	6871	3498	3498
M 2000 L 15.225 LK, LRK, LK-L, (LE220B)	09.1999 -	162	220	6871	3497	
M 2000 L 15.225 LK, LRK, LK-L, (LE220B)	09.1999 -	162	220	6871	3789	3789
M 2000 L 15.225 LK, LRK, LK-L, (LE220B)	09.1999 -	162	220	6871	3789/1	3789/1
M 2000 L 15.255 LC, LLC, LLLC, LRC, LLRC, LLLRC, (LE250B)	09.1999 -	180	245	6871	3497	
M 2000 L 15.255 LC, LLC, LLLC, LRC, LLRC, LLLRC, (LE250B)	09.1999 -	180	245	6871	3498	3498
M 2000 L 15.255 LK, LRK, LK-L, (LE250B)	09.1999 -	180	245	6871	3497	
M 2000 L 15.255 LK, LRK, LK-L, (LE250B)	09.1999 -	180	245	6871	3789	3789
M 2000 L 15.255 LK, LRK, LK-L, (LE250B)	09.1999 -	180	245	6871	3789/1	3789/1
M 2000 L 15.263, 15.264 LC, LLC, LLLC, LRC, LLRC, LLLRC	08.1995 -	191	260	6871	3497	
M 2000 L 15.263, 15.264 LC, LLC, LLLC, LRC, LLRC, LLLRC	08.1995 -	191	260	6871	3498	3498
M 2000 L 15.263, 15.264 LK, LRK, LK-L	08.1995 -	191	260	6871	3497	
M 2000 L 15.263, 15.264 LK, LRK, LK-L	08.1995 -	191	260	6871	3498	3498
M 2000 L 15.284 LC, LLC, LLLC, LRC, LLRC, LLLRC	06.1998 -	206	280	6871	3497	
M 2000 L 15.284 LC, LLC, LLLC, LRC, LLRC, LLLRC	06.1998 -	206	280	6871	3498	
M 2000 L 15.284 LC, LLC, LLLC, LRC, LLRC, LLLRC	06.1998 -	206	280	6871	3498	3498
M 2000 L 15.284 LK, LRK, LK-L	06.1998 -	206	280	6871	3497	
M 2000 L 15.284 LK, LRK, LK-L	06.1998 -	206	280	6871	3498	
M 2000 L 15.285 LC, LLC, LLLC, LRC, LLRC, LLLRC, (LE280B)	09.1999 -	206	280	6871	3497	
M 2000 L 15.285 LC, LLC, LLLC, LRC, LLRC, LLLRC, (LE280B)	09.1999 -	206	280	6871	3498	3498
M 2000 L 15.285 LK, LRK, LK-L, (LE280B)	09.1999 -	206	280	6871	3497	
M 2000 L 15.285 LK, LRK, LK-L, (LE280B)	09.1999 -	206	280	6871	3789	3789
M 2000 L 15.285 LK, LRK, LK-L, (LE280B)	09.1999 -	206	280	6871	3789/1	3789/1
M 2000 L 18.224, 18.225, LAC, LARC	08.1995 -	162	220	6871	3497	
M 2000 L 18.224, 18.225, LAC, LARC	08.1995 -	162	220	6871	3498	
M 2000 L 18.224, 18.225, LAK, LARK, LAK-L	08.1995 -	162	220	6871	3497	
M 2000 L 18.224, 18.225, LAK, LARK, LAK-L	08.1995 -	162	220	6871	3498	
M 2000 L 18.224, 18.225, LC, LLC, LLLC, LRC, LLRC, LLLRC	08.1995 -	162	220	6871	3497	
M 2000 L 18.224, 18.225, LC, LLC, LLLC, LRC, LLRC, LLLRC	08.1995 -	162	220	6871	3498	
M 2000 L 18.224, 18.225, LC, LLC, LLLC, LRC, LLRC, LLLRC	08.1995 -	162	220	6871	3498	3498
M 2000 L 18.224, 18.225, LK, LK-L, LLK, LLK-L, LLRK, LRK	08.1995 -	162	220	6871	3497	
M 2000 L 18.224, 18.225, LK, LK-L, LLK, LLK-L, LLRK, LRK	08.1995 -	162	220	6871	3498	
M 2000 L 18.224, 18.225, L-KO, LR-KO	05.2001 -	162	220	6871	3497	
M 2000 L 18.224, 18.225, L-KO, LR-KO	05.2001 -	162	220	6871	3498	
M 2000 L 18.224, 18.225, L-KO, LR-KO	05.2001 -	162	220	6871	3498	3498
M 2000 L 18.255 LAC, LARC	05.2001 -	180	245	6871	3497	
M 2000 L 18.255 LAC, LARC	05.2001 -	180	245	6871	3498	
M 2000 L 18.255 LAC, LARC	05.2001 -	180	245	6871	3498	3498
M 2000 L 18.255 LAK, LARK, LAK-L	05.2001 -	180	245	6871	3497	
M 2000 L 18.255 LAK, LARK, LAK-L	05.2001 -	180	245	6871	3498	3498
M 2000 L 18.255 LC, LLC, LLLC, LRC, LLRC, LLLRC, (LE250B)	09.1999 -	180	245	6871	3497	
M 2000 L 18.255 LC, LLC, LLLC, LRC, LLRC, LLLRC, (LE250B)	09.1999 -	180	245	6871	3498	
M 2000 L 18.255 LC, LLC, LLLC, LRC, LLRC, LLLRC, (LE250B)	09.1999 -	180	245	6871	3498	3498
M 2000 L 18.255 LK, LK-L, LLK, LLK-L, LLRK, LRK	11.2002 -	180	245	6871	3497	
M 2000 L 18.255 LK, LK-L, LLK, LLK-L, LLRK, LRK	11.2002 -	180	245	6871	3498	3498
M 2000 L 18.255 L-KO, LR-KO	05.2001 -	180	245	6871	3497	
M 2000 L 18.263, 18.264, LAC, LARC	08.1995 -	191	260	6871	3497	
M 2000 L 18.263, 18.264, LAC, LARC	08.1995 -	191	260	6871	3498	
M 2000 L 18.263, 18.264, LAK, LARK, LAK-L	08.1995 -	191	260	6871	3497	
M 2000 L 18.263, 18.264, LAK, LARK, LAK-L	08.1995 -	191	260	6871	3498	
M 2000 L 18.263, 18.264, LC, LLC, LLLC, LRC, LLRC, LLLRC	08.1995 -	191	260	6871	3497	
M 2000 L 18.263, 18.264, LC, LLC, LLLC, LRC, LLRC, LLLRC	08.1995 -	191	260	6871	3498	
M 2000 L 18.263, 18.264, LC, LLC, LLLC, LRC, LLRC, LLLRC	08.1995 -	191	260	6871	3498	3498
M 2000 L 18.263, 18.264, LK, LK-L, LLK, LLK-L, LLRK, LRK	08.1995 -	191	260	6871	3497	
M 2000 L 18.263, 18.264, LK, LK-L, LLK, LLK-L, LLRK, LRK	08.1995 -	191	260	6871	3498	
M 2000 L 18.263, 18.264, L-KO, LR-KO	05.2001 -	191	260	6871	3497	
M 2000 L 18.284 LAC, LARC	06.1998 -	206	280	6871	3497	
M 2000 L 18.284 LAC, LARC	06.1998 -	206	280	6871	3498	

**MAKE & MODEL****YEAR****KW****PS****CC****MAN**

M 2000 L 18.284 LAK, LARK, LAK-L	06.1998 -	206	280	6871	3497	
M 2000 L 18.284 LAK, LARK, LAK-L	06.1998 -	206	280	6871	3498	
M 2000 L 18.284 LC, LLC, LLLC, LRC, LLRC, LLLRC	06.1998 -	206	280	6871	3497	
M 2000 L 18.284 LC, LLC, LLLC, LRC, LLRC, LLLRC	06.1998 -	206	280	6871	3498	
M 2000 L 18.284 LC, LLC, LLLC, LRC, LLRC, LLLRC	06.1998 -	206	280	6871	3498	3498
M 2000 L 18.284, 18.285, LK, LK-L, LLK, LLK-L, LLRK, LRK	06.1998 -	206	280	6871	3497	
M 2000 L 18.284, 18.285, LK, LK-L, LLK, LLK-L, LLRK, LRK	06.1998 -	206	280	6871	3498	
M 2000 L 18.284, 18.285, L-KO, LR-KO	06.1998 -	206	280	6871	3497	
M 2000 L 18.284, 18.285, L-KO, LR-KO	06.1998 -	206	280	6871	3498	
M 2000 L 18.285 LAC, LARC (LE280B)	09.1999 -	206	280	6871	3497	
M 2000 L 18.285 LAC, LARC (LE280B)	09.1999 -	206	280	6871	3498	3498
M 2000 L 18.285 LAK, LARK, LAK-L, (LE280B)	09.1999 -	206	280	6871	3497	
M 2000 L 18.285 LAK, LARK, LAK-L, (LE280B)	09.1999 -	206	280	6871	3498	3498
M 2000 L 18.285 LC, LLC, LLLC, LRC, LLRC, LLLRC, (LE280B)	09.1999 -	206	280	6871	3497	
M 2000 L 18.285 LC, LLC, LLLC, LRC, LLRC, LLLRC, (LE280B)	09.1999 -	206	280	6871	3498	
M 2000 L 18.285 LC, LLC, LLLC, LRC, LLRC, LLLRC, (LE280B)	09.1999 -	206	280	6871	3498	3498
M 2000 L 19.224, 19.225, LC, LLC, LLLC, LLLRC, LLRC, LRC	05.2001 -	162	220	6871	3497	
M 2000 L 19.224, 19.225, LC, LLC, LLLC, LLLRC, LLRC, LRC	05.2001 -	162	220	6871	3498	
M 2000 L 19.224, 19.225, LC, LLC, LLLC, LLLRC, LLRC, LRC	05.2001 -	162	220	6871	3498	3498
M 2000 L 19.255 LC, LLC, LLLC, LLLRC, LLRC, LRC	05.2001 -	180	245	6871	3497	
M 2000 L 19.255 LC, LLC, LLLC, LLLRC, LLRC, LRC	05.2001 -	180	245	6871	3498	
M 2000 L 19.255 LC, LLC, LLLC, LLLRC, LLRC, LRC	05.2001 -	180	245	6871	3498	3498
M 2000 L 19.264 LC, LLC, LLLC, LLLRC, LLRC, LRC	05.2001 -	191	260	6871	3497	
M 2000 L 19.264 LC, LLC, LLLC, LLLRC, LLRC, LRC	05.2001 -	191	260	6871	3498	
M 2000 L 19.264 LC, LLC, LLLC, LLLRC, LLRC, LRC	05.2001 -	191	260	6871	3498	3498
M 2000 L 19.284, 19.285, LC, LLC, LLLC, LLLRC, LLRC, LRC	05.2001 -	206	280	6871	3497	
M 2000 L 19.284, 19.285, LC, LLC, LLLC, LLLRC, LLRC, LRC	05.2001 -	206	280	6871	3498	
M 2000 L 19.284, 19.285, LC, LLC, LLLC, LLLRC, LLRC, LRC	05.2001 -	206	280	6871	3498	3498
M 2000 L 20.224 LNLC, LNLLC	05.2001 -	162	220	6871	3497	
M 2000 L 20.224 LNLC, LNLLC	05.2001 -	162	220	6871	3498	
M 2000 L 20.224 LNLC, LNLLC	05.2001 -	162	220	6871	3498	3498
M 2000 L 20.224, 20225 LNLC, LNLLC	05.2001 -	162	220	6871	3498	
M 2000 L 20.224, 20225 LNLC, LNLLC	05.2001 -	162	220	6871	3498	3498
M 2000 L 20.255 LNLC, LNLLC	05.2001 -	180	245	6871	3497	
M 2000 L 20.255 LNLC, LNLLC	05.2001 -	180	245	6871	3498	
M 2000 L 20.255 LNLC, LNLLC	05.2001 -	180	245	6871	3498	3498
M 2000 L 20.264 LNLC, LNLLC	05.2001 -	191	260	6871	3497	
M 2000 L 20.264 LNLC, LNLLC	05.2001 -	191	260	6871	3498	
M 2000 L 20.264 LNLC, LNLLC	05.2001 -	191	260	6871	3498	3498
M 2000 L 20.284, 20.285, LNLC, LNLLC	05.2001 -	206	280	6871	3497	
M 2000 L 20.284, 20.285, LNLC, LNLLC	05.2001 -	206	280	6871	3498	
M 2000 L 20.284, 20.285, LNLC, LNLLC	05.2001 -	206	280	6871	3498	3498
M 2000 L 26.224, 26.225, DL-HK, DLR-HK	11.2002 -	180	245	6871	3497	
M 2000 L 26.224, 26.225, DL-HK, DLR-HK	11.2002 -	180	245	6871	3498	3498
M 2000 L 26.255 DL-HK, DLR-HK	11.2002 -	180	245	6871	3497	
M 2000 L 26.255 DL-HK, DLR-HK	11.2002 -	180	245	6871	3498	3498
M 2000 L 26.284 DL-TM, DLR-TM	05.2001 -	206	280	6871	3497	
M 2000 L 26.284 DL-TM, DLR-TM	05.2001 -	206	280	6871	3498	
M 2000 L 26.284 DL-TM, DLR-TM	05.2001 -	206	280	6871	3498	3498
M 2000 L 26.284, 26.285, DL-HK, DLR-HK	11.2002 -	206	280	6871	3497	
M 2000 L 26.284, 26.285, DL-HK, DLR-HK	11.2002 -	206	280	6871	3498	3498
M 2000 L 26.285 DL-TM, DLR-TM	05.2001 -	206	280	6871	3498	
M 2000 L 26.285 DL-TM, DLR-TM	05.2001 -	206	280	6871	3498	3498
M 2000 M 14.224 MAK, MAK-L, MARK	08.1995 - 12.2005	162	220	6871	3498	
M 2000 M 14.224 MC, MLC, MLLC, MLRC, MRC, MLLRC	08.1995 - 12.2005	162	220	6871	3789	3789
M 2000 M 14.224 MC, MLC, MLLC, MLRC, MRC, MLLRC	08.1995 - 12.2005	162	220	6871	3789/1	3789/1
M 2000 M 14.224 MK	08.1995 - 12.2005	162	220	6871	3498	3498
M 2000 M 14.224 MLS, MLRS	08.1995 - 12.2005	162	220	6871	3789	3789
M 2000 M 14.224 MLS, MLRS	08.1995 - 12.2005	162	220	6871	3789/1	3789/1
M 2000 M 14.255 MC, MLC, MLLC, MLRC, MRC, MLLRC	10.2000 - 12.2005	180	245	6871	3565	3565
M 2000 M 14.255 MC, MLC, MLLC, MLRC, MRC, MLLRC	10.2000 - 12.2005	180	245	6871	3789	3789
M 2000 M 14.255 MC, MLC, MLLC, MLRC, MRC, MLLRC	10.2000 - 12.2005	180	245	6871	3789/1	3789/1
M 2000 M 14.264 MC, MLC, MLLC, MLRC, MRC, MLLRC	08.1995 - 12.2005	191	260	6871	3789	3789
M 2000 M 14.264 MC, MLC, MLLC, MLRC, MRC, MLLRC	08.1995 - 12.2005	191	260	6871	3789/1	3789/1
M 2000 M 14.264 MLS, MLRS	08.1995 - 12.2005	191	260	6871	3789	3789
M 2000 M 14.264 MLS, MLRS	08.1995 - 12.2005	191	260	6871	3789/1	3789/1
M 2000 M 14.284 MAK, MAK-L, MARK	06.1998 - 12.2005	206	280	6871	3498	

**MAKE & MODEL****YEAR****KW****PS****CC****MAN**

M 2000 M 14.284 MA-KO, MA-LF	06.1998 - 12.2005	206	280	6871	3498	
M 2000 M 14.284 MC, MLC, MLLC, MLRC, MRC, MLLRC	06.1998 - 12.2005	206	280	6871	3789	3789
M 2000 M 14.284 MC, MLC, MLLC, MLRC, MRC, MLLRC	06.1998 - 12.2005	206	280	6871	3789/1	3789/1
M 2000 M 14.284 MLS, MLRS	06.1998 - 12.2005	206	280	6871	3789	3789
M 2000 M 14.284 MLS, MLRS	06.1998 - 12.2005	206	280	6871	3789/1	3789/1
M 2000 M 14.285 MC, MLC, MLLC, MLRC, MRC, MLLRC (ME280C)	09.1999 - 12.2005	206	280	6871	3789	3789
M 2000 M 14.285 MC, MLC, MLLC, MLRC, MRC, MLLRC (ME280C)	09.1999 - 12.2005	206	280	6871	3789/1	3789/1
M 2000 M 18.224 MAC, MARC	08.1995 - 12.2005	162	220	6871	3497	
M 2000 M 18.224 MAC, MARC	08.1995 - 12.2005	162	220	6871	3498	
M 2000 M 18.224 MAK, MAK-L, MARK	08.1995 - 12.2005	162	220	6871	3497	
M 2000 M 18.224 MAK, MAK-L, MARK	08.1995 - 12.2005	162	220	6871	3498	
M 2000 M 18.224 MC, MLC, MLLC, MRC, MLRC, MLLRC	08.1995 - 12.2005	162	220	6871	3497	
M 2000 M 18.224 MC, MLC, MLLC, MRC, MLRC, MLLRC	08.1995 - 12.2005	162	220	6871	3498	
M 2000 M 18.224 MC, MLC, MLLC, MRC, MLRC, MLLRC	08.1995 - 12.2005	162	220	6871	3498	3498
M 2000 M 18.224 MK, MK-L, MLK, MLRK, MRK	08.1995 - 12.2005	162	220	6871	3497	
M 2000 M 18.224 MK, MK-L, MLK, MLRK, MRK	08.1995 - 12.2005	162	220	6871	3498	
M 2000 M 18.224 M-KO, MR-KO	02.2000 - 12.2005	162	220	6871	3497	
M 2000 M 18.224 MLS, MLRS	08.1995 - 12.2005	162	220	6871	3497	
M 2000 M 18.224 MLS, MLRS	08.1995 - 12.2005	162	220	6871	3498	
M 2000 M 18.224 MLS, MLRS	08.1995 - 12.2005	162	220	6871	3498	3498
M 2000 M 18.225 MAC, MARC	02.2003 - 12.2005	162	220	6871	3497	3497
M 2000 M 18.225 MC, MLC, MLLC, MRC, MLRC, MLLRC	10.2000 - 12.2005	162	220	6871	3497	3497
M 2000 M 18.225 MK, MK-L, MLK, MLRK, MRK	10.2000 - 12.2005	162	220	6871	3498	3498
M 2000 M 18.225 MLS, MLRS	02.2003 - 12.2005	162	220	6871	3498	
M 2000 M 18.225 MLS, MLRS	02.2003 - 12.2005	162	220	6871	3498	3498
M 2000 M 18.255 MAC, MARC	10.2000 - 12.2005	180	245	6871	3497	
M 2000 M 18.255 MAC, MARC	10.2000 - 12.2005	180	245	6871	3498	
M 2000 M 18.255 MAC, MARC	10.2000 - 12.2005	180	245	6871	3498	3498
M 2000 M 18.255 MAK, MAK-L, MARK	10.2000 - 12.2005	180	245	6871	3497	
M 2000 M 18.255 MAK, MAK-L, MARK	10.2000 - 12.2005	180	245	6871	3498	3498
M 2000 M 18.255 MC, MLC, MLLC, MLRC, MRC, MLLRC	10.2000 - 12.2005	180	245	6871	3497	
M 2000 M 18.255 MC, MLC, MLLC, MLRC, MRC, MLLRC	10.2000 - 12.2005	180	245	6871	3498	
M 2000 M 18.255 MC, MLC, MLLC, MLRC, MRC, MLLRC	10.2000 - 12.2005	180	245	6871	3498	3498
M 2000 M 18.255 MK, MK-L, MLK, MLRK, MRK	11.2002 - 12.2005	180	245	6871	3497	
M 2000 M 18.255 MK, MK-L, MLK, MLRK, MRK	11.2002 - 12.2005	180	245	6871	3498	3498
M 2000 M 18.255 M-KO, MR-KO	10.2000 - 12.2005	180	245	6871	3497	
M 2000 M 18.255 MLS, MLRS	10.2000 - 12.2005	180	245	6871	3497	
M 2000 M 18.255 MLS, MLRS	10.2000 - 12.2005	180	245	6871	3498	
M 2000 M 18.255 MLS, MLRS	10.2000 - 12.2005	180	245	6871	3498	3498
M 2000 M 18.264 MAC, MARC	08.1995 - 12.2005	191	260	6871	3497	
M 2000 M 18.264 MAC, MARC	08.1995 - 12.2005	191	260	6871	3498	
M 2000 M 18.264 MAK, MAK-L, MARK	08.1995 - 12.2005	191	260	6871	3497	
M 2000 M 18.264 MAK, MAK-L, MARK	08.1995 - 12.2005	191	260	6871	3498	
M 2000 M 18.264 MC, MLC, MLLC, MRC, MLRC, MLLRC	08.1995 - 12.2005	191	260	6871	3497	
M 2000 M 18.264 MC, MLC, MLLC, MRC, MLRC, MLLRC	08.1995 - 12.2005	191	260	6871	3498	
M 2000 M 18.264 MC, MLC, MLLC, MRC, MLRC, MLLRC	08.1995 - 12.2005	191	260	6871	3498	3498
M 2000 M 18.264 MK, MK-L, MLK, MLRK, MRK	08.1995 - 12.2005	191	260	6871	3497	
M 2000 M 18.264 MK, MK-L, MLK, MLRK, MRK	08.1995 - 12.2005	191	260	6871	3498	
M 2000 M 18.264 M-KO, MR-KO	02.2000 - 12.2005	191	260	6871	3497	
M 2000 M 18.264 MLS, MLRS	08.1995 - 12.2005	191	260	6871	3497	
M 2000 M 18.264 MLS, MLRS	08.1995 - 12.2005	191	260	6871	3498	
M 2000 M 18.264 MLS, MLRS	08.1995 - 12.2005	191	260	6871	3498	3498
M 2000 M 18.284 MAC, MARC	06.1998 - 12.2005	206	280	6871	3497	
M 2000 M 18.284 MAC, MARC	06.1998 - 12.2005	206	280	6871	3498	
M 2000 M 18.284 MAK, MAK-L, MARK	06.1998 - 12.2005	206	280	6871	3497	
M 2000 M 18.284 MAK, MAK-L, MARK	06.1998 - 12.2005	206	280	6871	3498	
M 2000 M 18.284 MC, MLC, MLLC, MLRC, MRC, MLLRC	06.1998 - 12.2005	206	280	6871	3497	
M 2000 M 18.284 MC, MLC, MLLC, MLRC, MRC, MLLRC	06.1998 - 12.2005	206	280	6871	3498	
M 2000 M 18.284 MC, MLC, MLLC, MLRC, MRC, MLLRC	06.1998 - 12.2005	206	280	6871	3498	3498
M 2000 M 18.284 MK, MK-L, MLK, MLRK, MRK	06.1998 - 12.2005	206	280	6871	3497	
M 2000 M 18.284 MK, MK-L, MLK, MLRK, MRK	06.1998 - 12.2005	206	280	6871	3498	
M 2000 M 18.284 M-KO, MR-KO	02.2000 - 12.2005	206	280	6871	3497	
M 2000 M 18.284 MLS, MLRS	06.1998 - 12.2005	206	280	6871	3497	
M 2000 M 18.284 MLS, MLRS	06.1998 - 12.2005	206	280	6871	3498	
M 2000 M 18.284 MLS, MLRS	06.1998 - 12.2005	206	280	6871	3498	3498
M 2000 M 18.285 MAC, MARC	02.2003 - 12.2005	206	280	6871	3497	3497
M 2000 M 18.285 MC, MLC, MLLC, MLRC, MRC, MLLRC	06.1998 - 12.2005	206	280	6871	3789	3789

**MAKE & MODEL****YEAR****KW****PS****CC****MAN**

M 2000 M 18.285 MC, MLC, MLLC, MLRC, MRC, MLLRC	06.1998 - 12.2005	206	280	6871	3497	3497
M 2000 M 18.285 MC, MLC, MLLC, MLRC, MRC, MLLRC	06.1998 - 12.2005	206	280	6871	3789/1	3789/1
M 2000 M 18.285 MK, MK-L, MLK, MLRK, MRK	02.2003 - 12.2005	206	280	6871	3498	3498
M 2000 M 18.285 MLS, MLRS	02.2003 - 12.2005	206	280	6871	3497	3497
M 2000 M 25.224 MNL, MNLLC, MNLRC, MNLLRC, MVLC	08.1995 - 12.2005	162	220	6871	3497	
M 2000 M 25.224 MNL, MNLLC, MNLRC, MNLLRC, MVLC	08.1995 - 12.2005	162	220	6871	3498	
M 2000 M 25.224 MNL, MNLLC, MNLRC, MNLLRC, MVLC	08.1995 - 12.2005	162	220	6871	3498	3498
M 2000 M 25.225 MNL, MNLLC, MNLRC, MNLLRC, MVLC	02.2003 - 12.2005	162	220	6871	3497	3497
M 2000 M 25.255 MNL, MNLLC, MNLRC, MNLLRC, MVLC	10.2000 - 12.2005	180	245	6871	3497	
M 2000 M 25.255 MNL, MNLLC, MNLRC, MNLLRC, MVLC	10.2000 - 12.2005	180	245	6871	3498	
M 2000 M 25.255 MNL, MNLLC, MNLRC, MNLLRC, MVLC	10.2000 - 12.2005	180	245	6871	3498	3498
M 2000 M 25.264 MNL, MNLLC, MNLRC, MNLLRC, MVLC	08.1995 - 12.2005	191	260	6871	3497	
M 2000 M 25.264 MNL, MNLLC, MNLRC, MNLLRC, MVLC	08.1995 - 12.2005	191	260	6871	3498	
M 2000 M 25.264 MNL, MNLLC, MNLRC, MNLLRC, MVLC	08.1995 - 12.2005	191	260	6871	3498	3498
M 2000 M 25.284 MNL, MNLLC, MNLRC, MNLLRC, MVLC	02.2000 - 12.2005	206	280	6871	3497	
M 2000 M 25.284 MNL, MNLLC, MNLRC, MNLLRC, MVLC	02.2000 - 12.2005	206	280	6871	3498	
M 2000 M 25.284 MNL, MNLLC, MNLRC, MNLLRC, MVLC	02.2000 - 12.2005	206	280	6871	3498	3498
M 2000 M 25.285 MNL, MNLLC, MNLRC, MNLLRC, MVLC	02.2003 - 12.2005	206	280	6871	3497	
NG NG 262, NG 263	07.1998 -	191	260	11967	3498	
NG NG 262, NG 263	07.1998 -	191	260	11967	3498	3498
NG NG 262, NG 263	07.1998 -	191	260	11967	3828	3828
NG NG 312, NG 313	07.1998 -	228	310	11967	3498	
NG NG 312, NG 313	07.1998 -	228	310	11967	3498	3498
NG NG 312, NG 313	07.1998 -	228	310	11967	3828	3828
NG NG 313	01.2006 - 10.2009	228	310	10518	3498	
NG NG 313	01.2006 - 10.2009	228	310	10518	3498	3498
NG NG 313	05.2007 - 12.2014	228	310	12816	3498	
NG NG 313	05.2007 - 12.2014	228	310	12816	3498	3498
NG NG 323	05.2007 - 12.2014	235	320	10518	3498	
NG NG 323	05.2007 - 12.2014	235	320	10518	3498	3498
NG NG 353	05.2007 - 12.2014	257	350	10518	3498	
NG NG 353	05.2007 - 12.2014	257	350	10518	3498	3498
NG NG 363	05.2007 - 12.2014	264	360	10518	3498	
NG NG 363	05.2007 - 12.2014	264	360	10518	3498	3498
NL NL 202, NL 222, NL 223	08.1992 -	157	214	6871	3498	
NL NL 202, NL 222, NL 223	08.1992 -	157	214	6871	3498	3498
NL NL 202, NL 222, NL 223	08.1992 -	157	214	6871	3828	3828
NL NL 202, NL 262, NL 263	04.1991 -	184	250	6871	3497	
NL NL 262	06.1997 -	191	260	9973	3498	
NL NL 262	06.1997 -	191	260	9973	3498	3498
NL NL 262	06.1997 -	191	260	9973	3828	3828
NL NL 262, NL 263	07.1998 -	191	260	11967	3497	
NL NL 262, NL 263	07.1998 -	191	260	11967	3498	
NL NL 262, NL 263	07.1998 -	191	260	11967	3498	3498
NL NL 262, NL 263	07.1998 -	191	260	11967	3828	3828
NL NL 283	08.2012 -	206	280	10518	3498	
NL NL 283	08.2012 -	206	280	10518	3498	3498
NL NL 312	11.1995 - 07.1998	228	310	9973	3498	
NL NL 312	11.1995 - 07.1998	228	310	9973	3498	3498
NL NL 312	11.1995 - 07.1998	228	310	9973	3828	3828
NL NL 313	01.2006 - 10.2009	228	310	10518	3498	
NL NL 313	01.2006 - 10.2009	228	310	10518	3498	3498
NL NL 313	05.2007 - 12.2014	228	310	12816	3498	
NL NL 313	05.2007 - 12.2014	228	310	12816	3498	3498
NL NL 313	07.1998 -	228	310	11967	3497	
NL NL 313	07.1998 -	228	310	11967	3498	
NL NL 313	07.1998 -	228	310	11967	3498	3498
NL NL 323	05.2007 -	235	320	10518	3498	
NL NL 323	05.2007 -	235	320	10518	3498	3498
NM NM 222, NM 223	02.1996 -	162	220	6871	3498	
NM NM 222, NM 223	02.1996 -	162	220	6871	3498	3498
NM NM 222, NM 223	02.1996 -	162	220	6871	3828	3828
NÜ NÜ 263	07.1998 -	191	260	6871	3498	
NÜ NÜ 263	07.1998 -	191	260	6871	3498	3498
NÜ NÜ 263	07.1998 -	191	260	6871	3828	3828
NÜ NÜ 263	07.1998 -	191	260	11967	3498	
NÜ NÜ 263	07.1998 -	191	260	11967	3498	3498



**MAKE & MODEL****YEAR****KW****PS****CC****MAN**

NÜ NÜ 263	07.1998 -	191	260	11967	3828	3828
NÜ NÜ 263	09.1996 - 07.1998	191	260	9973	3498	
NÜ NÜ 263	09.1996 - 07.1998	191	260	9973	3498	3498
NÜ NÜ 263	09.1996 - 07.1998	191	260	9973	3828	3828
NÜ NÜ 313	07.1998 -	228	310	11967	3498	
NÜ NÜ 313	07.1998 -	228	310	11967	3498	3498
NÜ NÜ 313	07.1998 -	228	310	11967	3828	3828
NÜ NÜ 313 15M	07.1998 -	228	310	11967	3498	
NÜ NÜ 313 15M	07.1998 -	228	310	11967	3498	3498
NÜ NÜ 313 15M	07.1998 -	228	310	11967	3828	3828
NÜ NÜ 353 15M	07.1998 -	257	350	11967	3498	
NÜ NÜ 353 15M	07.1998 -	257	350	11967	3498	3498
NÜ NÜ 353 15M	07.1998 -	257	350	11967	3828	3828
SÜ SÜ 243	06.2005 - 10.2009	176	240	6871	3828	3828
SÜ SÜ 263	06.2005 - 10.2009	191	260	6871	3828	3828
SÜ SÜ 263	09.2003 -	265	360	11967	3498	
SÜ SÜ 263	09.2003 -	265	360	11967	3498	3498
SÜ SÜ 263	09.2003 -	265	360	11967	3828	3828
SÜ SÜ 273	01.2006 - 10.2009	198	270	10518	3828	3828
SÜ SÜ 283	09.2003 -	206	280	6871	3498	
SÜ SÜ 283	09.2003 -	206	280	6871	3498	3498
SÜ SÜ 283	09.2003 -	206	280	6871	3828	3828
SÜ SÜ 293	09.2003 -	213	290	6871	3828	3828
SÜ SÜ 313	01.2006 - 10.2009	228	310	10518	3828	3828
SÜ SÜ 313	09.2003 -	228	310	11967	3498	
SÜ SÜ 313	09.2003 -	228	310	11967	3498	3498
SÜ SÜ 313	09.2003 -	228	310	11967	3828	3828
SÜ SÜ 320	09.2003 -	235	320	10518	3828	3828
SÜ SÜ 353	01.2006 - 10.2009	257	350	10518	3828	3828
SÜ SÜ 360	05.2007 -	264	360	10518	3828	3828
TGA 18.310	04.2000 -	228	310	11967	4091	
TGA 18.310	04.2000 -	228	310	11967	3498	3498
TGA 18.310	04.2000 -	228	310	11967	3497	3497
TGA 18.310	04.2000 -	228	310	11967	3664	3664
TGA 18.310	09.2002 -	228	310	11967	4091	4091
TGA 18.310, 18.320	04.2000 -	228	310	11967	4091	
TGA 18.310, 18.320	04.2000 -	228	310	11967	3498	3498
TGA 18.310, 18.320	04.2000 -	228	310	11967	3497	3497
TGA 18.310, 18.320	04.2000 -	228	310	11967	3664	3664
TGA 18.310, 18.320	05.2004 -	228	310	10518	4091	
TGA 18.310, 18.320	05.2004 -	228	310	10518	3498	3498
TGA 18.310, 18.320	05.2004 -	228	310	10518	4129	4129
TGA 18.310, 18.320	05.2004 -	228	310	10518	3664	3664
TGA 18.310, 18.320	12.2000 -	228	310	11967	3497	
TGA 18.310, 18.320	12.2000 -	228	310	11967	4091	
TGA 18.310, 18.320	12.2000 -	228	310	11967	3498	3498
TGA 18.310, 18.320	12.2000 -	228	310	11967	3664	3664
TGA 18.350	05.2004 -	257	350	10518	4091	
TGA 18.350	05.2004 -	257	350	10518	3498	3498
TGA 18.350	05.2004 -	257	350	10518	3664	3664
TGA 18.350, 18.360	05.2004 -	257	350	10518	4091	
TGA 18.350, 18.360	05.2004 -	257	350	10518	3498	3498
TGA 18.350, 18.360	05.2004 -	257	350	10518	4129	4129
TGA 18.350, 18.360	05.2004 -	257	350	10518	3664	3664
TGA 18.360	01.2006 -	265	360	10518	4091	
TGA 18.360	01.2006 -	265	360	10518	3664	3664
TGA 18.360	04.2000 -	265	360	11967	4091	
TGA 18.360	04.2000 -	265	360	11967	3498	3498
TGA 18.360	04.2000 -	265	360	11967	3497	3497
TGA 18.360	04.2000 -	265	360	11967	3664	3664
TGA 18.360	09.2002 -	265	360	11967	4091	4091
TGA 18.360	12.2000 -	265	360	11967	3497	
TGA 18.360	12.2000 -	265	360	11967	4091	
TGA 18.360	12.2000 -	265	360	11967	3498	3498
TGA 18.360	12.2000 -	265	360	11967	3664	3664
TGA 18.380	05.2004 -	283	385	10824	3498	
TGA 18.380	05.2004 -	283	385	10824	4091	



**MAKE & MODEL****YEAR****KW****PS****CC****MAN**

TGA 18.380	05.2004 -	283	385	10824	3498	3498
TGA 18.390	05.2004 -	287	390	10518	4091	
TGA 18.390	05.2004 -	287	390	10518	3498	3498
TGA 18.390	05.2004 -	287	390	10518	3664	3664
TGA 18.390, 18.400	05.2004 -	287	390	10518	4091	
TGA 18.390, 18.400	05.2004 -	287	390	10518	3498	3498
TGA 18.390, 18.400	05.2004 -	287	390	10518	4129	4129
TGA 18.390, 18.400	05.2004 -	287	390	10518	3664	3664
TGA 18.400	10.2005 -	294	400	10518	4091	
TGA 18.400	10.2005 -	294	400	10518	3664	3664
TGA 18.410	04.2000 -	301	410	11967	4091	
TGA 18.410	04.2000 -	301	410	11967	3498	3498
TGA 18.410	04.2000 -	301	410	11967	3497	3497
TGA 18.410	04.2000 -	301	410	11967	3664	3664
TGA 18.410	09.2002 -	301	410	11967	4091	4091
TGA 18.410, 18.420	04.2000 -	301	410	11967	3497	
TGA 18.410, 18.420	04.2000 -	301	410	11967	4091	
TGA 18.410, 18.420	04.2000 -	301	410	11967	3498	3498
TGA 18.410, 18.420	04.2000 -	301	410	11967	3664	3664
TGA 18.410, 18.420	09.2002 -	301	410	11967	4091	4091
TGA 18.410, 18.420	12.2000 -	301	410	11967	4091	
TGA 18.410, 18.420	12.2000 -	301	410	11967	3498	3498
TGA 18.410, 18.420	12.2000 -	301	410	11967	3497	3497
TGA 18.410, 18.420	12.2000 -	301	410	11967	3664	3664
TGA 18.420	05.2004 -	309	420	10824	3498	
TGA 18.420	05.2004 -	309	420	10824	4091	
TGA 18.420	05.2004 -	309	420	10824	3498	3498
TGA 18.430	05.2004 -	316	430	10518	4091	
TGA 18.430	05.2004 -	316	430	10518	3498	3498
TGA 18.430	05.2004 -	316	430	10518	3664	3664
TGA 18.430, 18.440	05.2004 -	316	430	10518	4091	
TGA 18.430, 18.440	05.2004 -	316	430	10518	3498	3498
TGA 18.430, 18.440	05.2004 -	316	430	10518	4129	4129
TGA 18.430, 18.440	05.2004 -	316	430	10518	3664	3664
TGA 18.440	09.2005 -	324	440	10518	4091	
TGA 18.440	09.2005 -	324	440	10518	3664	3664
TGA 18.460	04.2000 -	338	460	12816	4091	
TGA 18.460	04.2000 -	338	460	12816	3498	3498
TGA 18.460	04.2000 -	338	460	12816	3497	3497
TGA 18.460	04.2000 -	338	460	12816	3664	3664
TGA 18.460	12.2000 -	338	460	12816	3497	
TGA 18.460	12.2000 -	338	460	12816	4091	
TGA 18.460	12.2000 -	338	460	12816	3498	3498
TGA 18.460	12.2000 -	338	460	12816	3664	3664
TGA 18.480	01.2006 -	353	480	12419	4091	
TGA 18.480	01.2006 -	353	480	12419	3664	3664
TGA 18.480	04.2006 -	353	480	12419	4129	4129
TGA 18.480	09.2002 -	353	480	12816	4091	
TGA 18.480	09.2002 -	353	480	12816	3498	3498
TGA 18.480	09.2002 -	353	480	12816	4091	4091
TGA 18.480	09.2002 -	353	480	12816	3664	3664
TGA 18.510	04.2000 -	375	510	12816	4091	
TGA 18.510	04.2000 -	375	510	12816	3498	3498
TGA 18.510	04.2000 -	375	510	12816	3497	3497
TGA 18.510	04.2000 -	375	510	12816	3664	3664
TGA 18.510	09.2000 -	375	510	12816	4091	3497
TGA 18.510	09.2000 -	375	510	12816	3498	3498
TGA 18.510	09.2000 -	375	510	12816	3497	3497
TGA 18.510	09.2000 -	375	510	12816	3664	3664
TGA 18.530	04.2004 -	390	530	12816	4091	4091
TGA 18.530	09.2002 -	390	530	12816	4091	
TGA 18.530	09.2002 -	390	530	12816	3498	3498
TGA 18.530	09.2002 -	390	530	12816	3664	3664
TGA 18.540	08.2006 -	397	540	12419	4091	
TGA 18.540	08.2006 -	397	540	12419	3664	3664
TGA 19.350	05.2004 -	257	350	10518	4091	
TGA 19.350	05.2004 -	257	350	10518	3664	3664

**MAKE & MODEL****YEAR****KW****PS****CC****MAN**

TGA 19.360	05.2004 -	265	360	10518	4091	
TGA 19.360	05.2004 -	265	360	10518	3664	3664
TGA 19.360	05.2004 -	265	360	11967	4091	
TGA 19.360	05.2004 -	265	360	11967	3664	3664
TGA 19.390	05.2004 -	287	390	10518	4091	
TGA 19.390	05.2004 -	287	390	10518	3664	3664
TGA 19.400	05.2004 -	294	400	10518	4091	
TGA 19.400	05.2004 -	294	400	10518	3664	3664
TGA 19.410	05.2004 -	301	410	11967	4091	
TGA 19.410	05.2004 -	301	410	11967	3664	3664
TGA 19.430	05.2004 -	316	430	10518	4091	
TGA 19.430	05.2004 -	316	430	10518	3664	3664
TGA 19.440	02.2006 -	324	440	12419	4091	
TGA 19.440	02.2006 -	324	440	12419	3664	3664
TGA 19.460	05.2004 -	338	460	12816	4091	
TGA 19.460	05.2004 -	338	460	12816	3664	3664
TGA 19.480	02.2006 -	353	480	12419	4091	
TGA 19.480	02.2006 -	353	480	12419	3664	3664
TGA 19.480	05.2004 -	353	480	12816	4091	
TGA 19.480	05.2004 -	353	480	12816	3664	3664
TGA 24.350, 24.360	02.2004 -	257	350	10518	4091	
TGA 24.350, 24.360	02.2004 -	257	350	10518	3664	3664
TGA 24.350, 24.360	05.2004 -	257	350	10518	4091	
TGA 24.350, 24.360	05.2004 -	257	350	10518	3664	3664
TGA 24.360	09.2001 -	265	360	11967	4091	
TGA 24.360	09.2001 -	265	360	11967	3498	3498
TGA 24.360	09.2001 -	265	360	11967	3664	3664
TGA 24.380	02.2004 -	283	385	10824	3498	
TGA 24.380	02.2004 -	283	385	10824	4091	
TGA 24.380	02.2004 -	283	385	10824	3498	3498
TGA 24.390, 24.400	05.2004 -	287	390	10518	4091	
TGA 24.390, 24.400	05.2004 -	287	390	10518	3664	3664
TGA 24.410	09.2001 -	301	410	11967	4091	
TGA 24.410	09.2001 -	301	410	11967	3498	3498
TGA 24.410	09.2001 -	301	410	11967	3664	3664
TGA 24.420	05.2004 -	309	420	10824	3498	
TGA 24.420	05.2004 -	309	420	10824	4091	
TGA 24.420	05.2004 -	309	420	10824	3498	3498
TGA 24.430, 24.440	05.2004 -	316	430	10518	4091	
TGA 24.430, 24.440	05.2004 -	316	430	10518	3664	3664
TGA 24.460	09.2001 -	338	460	12816	4091	
TGA 24.460	09.2001 -	338	460	12816	3498	3498
TGA 24.460	09.2001 -	338	460	12816	3664	3664
TGA 24.480	01.2006 -	353	480	12419	4091	
TGA 24.480	01.2006 -	353	480	12419	3664	3664
TGA 24.480	07.2005 -	353	480	12816	4091	
TGA 24.480	07.2005 -	353	480	12816	3664	3664
TGA 24.480	09.2002 -	353	480	12816	4091	
TGA 24.480	09.2002 -	353	480	12816	3498	3498
TGA 24.480	09.2002 -	353	480	12816	3664	3664
TGA 24.510	09.2001 -	375	510	12816	4091	
TGA 24.510	09.2001 -	375	510	12816	3498	3498
TGA 24.510	09.2001 -	375	510	12816	3664	3664
TGA 24.530	07.2005 -	390	530	12816	4091	
TGA 24.530	07.2005 -	390	530	12816	3664	3664
TGA 24.530	09.2001 -	390	530	12816	4091	
TGA 24.530	09.2001 -	390	530	12816	3498	3498
TGA 24.530	09.2001 -	390	530	12816	3664	3664
TGA 24.540	01.2006 -	397	540	12419	4091	
TGA 24.540	01.2006 -	397	540	12419	3664	3664
TGA 26.280	11.2002 -	206	280	6871	4091	
TGA 26.280	11.2002 -	206	280	6871	3498	3498
TGA 26.280	11.2002 -	206	280	6871	3664	3664
TGA 26.310	01.2001 -	228	310	11967	4091	
TGA 26.310	01.2001 -	228	310	11967	3498	3498
TGA 26.310	01.2001 -	228	310	11967	3497	3497
TGA 26.310	01.2001 -	228	310	11967	3664	3664

**MAKE & MODEL****YEAR****KW****PS****CC****MAN**

TGA 26.310	01.2004 -	228	310	10518	4091	4091
TGA 26.310	02.2002 -	228	310	11967	4091	4091
TGA 26.310	09.2000 -	228	310	11967	3497	
TGA 26.310	09.2000 -	228	310	11967	4091	
TGA 26.310	09.2000 -	228	310	11967	3498	3498
TGA 26.310	09.2000 -	228	310	11967	3664	3664
TGA 26.310	09.2002 -	228	310	11967	4091	
TGA 26.310	09.2002 -	228	310	11967	3498	3498
TGA 26.310	09.2002 -	228	310	11967	3664	3664
TGA 26.310	09.2003 -	228	310	11967	4091	
TGA 26.310	09.2003 -	228	310	11967	3664	3664
TGA 26.310	10.2000 -	228	310	11967	4091	
TGA 26.310	10.2000 -	228	310	11967	3498	3498
TGA 26.310	10.2000 -	228	310	11967	3497	3497
TGA 26.310	10.2000 -	228	310	11967	3664	3664
TGA 26.310	12.2000 -	228	310	11967	3497	
TGA 26.310	12.2000 -	228	310	11967	4091	
TGA 26.310	12.2000 -	228	310	11967	3498	3498
TGA 26.310	12.2000 -	228	310	11967	3828	3828
TGA 26.310	12.2000 -	228	310	11967	3664	3664
TGA 26.310, 26.320	02.2004 -	228	310	10518	4091	
TGA 26.310, 26.320	02.2004 -	228	310	10518	3664	3664
TGA 26.310, 26.320	05.2004 -	228	310	10518	4091	
TGA 26.310, 26.320	05.2004 -	228	310	10518	3664	3664
TGA 26.310, 26.320	06.2005 -	228	310	10518	4091	
TGA 26.310, 26.320	06.2005 -	228	310	10518	3498	3498
TGA 26.310, 26.320	06.2005 -	228	310	10518	4091	4091
TGA 26.310, 26.320	06.2005 -	228	310	10518	3664	3664
TGA 26.320	04.2006 -	235	320	10518	4091	4091
TGA 26.320	06.2005 -	235	320	10518	4091	4091
TGA 26.330	11.2002 -	240	326	6871	4091	
TGA 26.330	11.2002 -	240	326	6871	3498	3498
TGA 26.330	11.2002 -	240	326	6871	3664	3664
TGA 26.350	01.2004 -	257	350	10518	4091	
TGA 26.350	01.2004 -	257	350	10518	3664	3664
TGA 26.350	02.2004 -	257	350	10518	4091	4091
TGA 26.350	04.2005 -	257	350	10518	4091	4091
TGA 26.350	05.2004 -	257	350	10518	4091	
TGA 26.350	05.2004 -	257	350	10518	3664	3664
TGA 26.350	06.2005 -	257	350	10518	4091	
TGA 26.350	06.2005 -	257	350	10518	3664	3664
TGA 26.350	07.2005 -	257	350	10518	4091	
TGA 26.350	07.2005 -	257	350	10518	3664	3664
TGA 26.350, 26.360	01.2004 -	257	350	10518	4091	
TGA 26.350, 26.360	01.2004 -	257	350	10518	3664	3664
TGA 26.350, 26.360	02.2004 -	257	350	10518	4091	
TGA 26.350, 26.360	02.2004 -	257	350	10518	3664	3664
TGA 26.350, 26.360	05.2004 -	257	350	10518	4091	
TGA 26.350, 26.360	05.2004 -	257	350	10518	4091	4091
TGA 26.350, 26.360	05.2004 -	257	350	10518	3664	3664
TGA 26.350, 26.360	06.2005 -	257	350	10518	4091	
TGA 26.350, 26.360	06.2005 -	257	350	10518	3664	3664
TGA 26.360	01.2001 -	265	360	11967	3497	
TGA 26.360	01.2001 -	265	360	11967	4091	
TGA 26.360	01.2001 -	265	360	11967	3498	3498
TGA 26.360	01.2001 -	265	360	11967	3664	3664
TGA 26.360	02.2002 -	265	360	11967	4091	4091
TGA 26.360	04.2006 -	265	360	10518	4091	
TGA 26.360	04.2006 -	265	360	10518	3664	3664
TGA 26.360	05.2004 -	265	360	10518	4091	
TGA 26.360	05.2004 -	265	360	10518	3664	3664
TGA 26.360	06.2004 -	265	360	10518	4091	4091
TGA 26.360	09.2000 -	265	360	11967	3497	
TGA 26.360	09.2000 -	265	360	11967	4091	
TGA 26.360	09.2000 -	265	360	11967	3498	3498
TGA 26.360	09.2000 -	265	360	11967	3828	3828
TGA 26.360	09.2000 -	265	360	11967	3664	3664

**MAKE & MODEL****YEAR****KW****PS****CC****MAN**

TGA 26.360	09.2002 -	265	360	11967	4091	
TGA 26.360	09.2002 -	265	360	11967	3498	3498
TGA 26.360	09.2002 -	265	360	11967	3664	3664
TGA 26.360	09.2003 -	265	360	11967	4091	
TGA 26.360	09.2003 -	265	360	11967	3498	3498
TGA 26.360	09.2003 -	265	360	11967	3664	3664
TGA 26.360	12.2000 -	265	360	11967	3497	
TGA 26.360	12.2000 -	265	360	11967	4091	
TGA 26.360	12.2000 -	265	360	11967	3498	3498
TGA 26.360	12.2000 -	265	360	11967	3828	3828
TGA 26.360	12.2000 -	265	360	11967	3664	3664
TGA 26.380	02.2004 -	283	385	10824	3498	
TGA 26.380	02.2004 -	283	385	10824	4091	
TGA 26.380	02.2004 -	283	385	10824	3498	3498
TGA 26.380	05.2004 -	283	385	10824	3498	
TGA 26.380	05.2004 -	283	385	10824	4091	
TGA 26.380	05.2004 -	283	385	10824	3498	3498
TGA 26.390	01.2004 -	287	390	10518	4091	4091
TGA 26.390	02.2004 -	287	390	10518	4091	
TGA 26.390	02.2004 -	287	390	10518	4091	4091
TGA 26.390	02.2004 -	287	390	10518	3664	3664
TGA 26.390	06.2005 -	287	390	10518	4091	4091
TGA 26.390	07.2005 -	287	390	10518	4091	
TGA 26.390	07.2005 -	287	390	10518	3664	3664
TGA 26.390, 26.400	02.2004 -	287	390	10518	4091	
TGA 26.390, 26.400	02.2004 -	287	390	10518	3664	3664
TGA 26.390, 26.400	05.2004 -	287	390	10518	4091	
TGA 26.390, 26.400	05.2004 -	287	390	10518	3664	3664
TGA 26.390, 26.400	06.2005 -	287	390	10518	4091	
TGA 26.390, 26.400	06.2005 -	287	390	10518	4091	4091
TGA 26.390, 26.400	06.2005 -	287	390	10518	3664	3664
TGA 26.400	01.2004 -	294	400	10518	4091	4091
TGA 26.400	04.2006 -	294	400	10518	4091	
TGA 26.400	04.2006 -	294	400	10518	4091	4091
TGA 26.400	04.2006 -	294	400	10518	3664	3664
TGA 26.410	01.2001 -	301	410	11967	3497	
TGA 26.410	01.2001 -	301	410	11967	4091	
TGA 26.410	01.2001 -	301	410	11967	3498	3498
TGA 26.410	01.2001 -	301	410	11967	3664	3664
TGA 26.410	02.2002 -	301	410	11967	3498	
TGA 26.410	02.2002 -	301	410	11967	4091	
TGA 26.410	02.2002 -	301	410	11967	3498	3498
TGA 26.410	02.2002 -	301	410	11967	4091	4091
TGA 26.410	04.2000 -	301	410	11967	4091	
TGA 26.410	04.2000 -	301	410	11967	3498	3498
TGA 26.410	04.2000 -	301	410	11967	3497	3497
TGA 26.410	04.2000 -	301	410	11967	3664	3664
TGA 26.410	06.2001 -	301	410	11967	3497	
TGA 26.410	06.2001 -	301	410	11967	4091	
TGA 26.410	06.2001 -	301	410	11967	3498	3498
TGA 26.410	06.2001 -	301	410	11967	3664	3664
TGA 26.410	07.2005 -	301	410	11967	4091	
TGA 26.410	07.2005 -	301	410	11967	3664	3664
TGA 26.410	09.2001 -	301	410	11967	4091	
TGA 26.410	09.2001 -	301	410	11967	3498	3498
TGA 26.410	09.2001 -	301	410	11967	3664	3664
TGA 26.410	09.2003 -	301	410	11967	4091	
TGA 26.410	09.2003 -	301	410	11967	3664	3664
TGA 26.410	12.2000 -	301	410	11967	4091	
TGA 26.410	12.2000 -	301	410	11967	3498	3498
TGA 26.410	12.2000 -	301	410	11967	3497	3497
TGA 26.410	12.2000 -	301	410	11967	3664	3664
TGA 26.420	02.2004 -	309	420	10824	3498	
TGA 26.420	02.2004 -	309	420	10824	4091	
TGA 26.420	02.2004 -	309	420	10824	3498	3498
TGA 26.420	04.2000 -	309	420	10824	3498	
TGA 26.420	04.2000 -	309	420	10824	4091	

**MAKE & MODEL****YEAR****KW****PS****CC****MAN**

TGA 26.420	04.2000 -	309	420	10824	3498	3498
TGA 26.430	01.2004 -	316	430	10518	4091	4091
TGA 26.430	02.2004 -	316	430	10518	4091	
TGA 26.430	02.2004 -	316	430	10518	3664	3664
TGA 26.430	07.2005 -	316	430	10518	4091	
TGA 26.430	07.2005 -	316	430	10518	3664	3664
TGA 26.430	12.2000 -	316	430	10518	4091	
TGA 26.430	12.2000 -	316	430	10518	3664	3664
TGA 26.430, 26.440	02.2004 -	316	430	10518	4091	
TGA 26.430, 26.440	02.2004 -	316	430	10518	3664	3664
TGA 26.430, 26.440	05.2004 -	316	430	10518	4091	
TGA 26.430, 26.440	05.2004 -	316	430	10518	3828	3828
TGA 26.430, 26.440	05.2004 -	316	430	10518	3664	3664
TGA 26.430, 26.440	06.2005 -	316	430	10518	3498	
TGA 26.430, 26.440	06.2005 -	316	430	10518	4091	
TGA 26.430, 26.440	06.2005 -	316	430	10518	3498	3498
TGA 26.430, 26.440	06.2005 -	316	430	10518	4091	4091
TGA 26.430, 26.440	06.2005 -	316	430	10518	3664	3664
TGA 26.440	01.2004 -	324	440	10518	4091	4091
TGA 26.440	02.2006 -	324	440	12419	4091	
TGA 26.440	02.2006 -	324	440	12419	3664	3664
TGA 26.440	09.2005 -	324	440	10518	4091	
TGA 26.440	09.2005 -	324	440	10518	4091	4091
TGA 26.440	09.2005 -	324	440	10518	3664	3664
TGA 26.460	01.2001 -	338	460	12816	3497	
TGA 26.460	01.2001 -	338	460	12816	4091	
TGA 26.460	01.2001 -	338	460	12816	3498	3498
TGA 26.460	01.2001 -	338	460	12816	3664	3664
TGA 26.460	02.2001 -	338	460	12816	4091	
TGA 26.460	02.2001 -	338	460	12816	3498	3498
TGA 26.460	02.2001 -	338	460	12816	3497	3497
TGA 26.460	02.2001 -	338	460	12816	3664	3664
TGA 26.460	04.2000 -	338	460	12816	3497	
TGA 26.460	04.2000 -	338	460	12816	4091	
TGA 26.460	04.2000 -	338	460	12816	3498	3498
TGA 26.460	04.2000 -	338	460	12816	3664	3664
TGA 26.460	06.2001 -	338	460	12816	4091	
TGA 26.460	06.2001 -	338	460	12816	3498	3498
TGA 26.460	06.2001 -	338	460	12816	3497	3497
TGA 26.460	06.2001 -	338	460	12816	3664	3664
TGA 26.460	12.2000 -	338	460	12816	3497	
TGA 26.460	12.2000 -	338	460	12816	4091	
TGA 26.460	12.2000 -	338	460	12816	3498	3498
TGA 26.460	12.2000 -	338	460	12816	3828	3828
TGA 26.460	12.2000 -	338	460	12816	3664	3664
TGA 26.480	01.2006 -	353	480	12419	4091	
TGA 26.480	01.2006 -	353	480	12419	3664	3664
TGA 26.480	02.2006 -	353	480	12419	4091	
TGA 26.480	02.2006 -	353	480	12419	3828	3828
TGA 26.480	02.2006 -	353	480	12419	4091	4091
TGA 26.480	02.2006 -	353	480	12419	3664	3664
TGA 26.480	09.2002 -	353	480	12816	4091	
TGA 26.480	09.2002 -	353	480	12816	3498	3498
TGA 26.480	09.2002 -	353	480	12816	3828	3828
TGA 26.480	09.2002 -	353	480	12816	4091	4091
TGA 26.480	09.2002 -	353	480	12816	3664	3664
TGA 26.510	01.2001 -	375	510	12816	4091	
TGA 26.510	01.2001 -	375	510	12816	3498	3498
TGA 26.510	01.2001 -	375	510	12816	3497	3497
TGA 26.510	01.2001 -	375	510	12816	3664	3664
TGA 26.510	12.2000 -	375	510	12816	3497	
TGA 26.510	12.2000 -	375	510	12816	4091	
TGA 26.510	12.2000 -	375	510	12816	3498	3498
TGA 26.510	12.2000 -	375	510	12816	3828	3828
TGA 26.510	12.2000 -	375	510	12816	3664	3664
TGA 26.530	01.2001 -	390	530	12816	4091	
TGA 26.530	01.2001 -	390	530	12816	3498	3498

**MAKE & MODEL****YEAR****KW****PS****CC****MAN**

TGA 26.530	01.2001 -	390	530	12816	3497	3497
TGA 26.530	01.2001 -	390	530	12816	3664	3664
TGA 26.530	07.2006 -	390	530	12816	4091	4091
TGA 26.530	09.2002 -	390	530	12816	4091	
TGA 26.530	09.2002 -	390	530	12816	3498	3498
TGA 26.530	09.2002 -	390	530	12816	3828	3828
TGA 26.530	09.2002 -	390	530	12816	4091	4091
TGA 26.530	09.2002 -	390	530	12816	3664	3664
TGA 26.540	08.2006 -	397	540	12419	4091	
TGA 26.540	08.2006 -	397	540	12419	3828	3828
TGA 26.540	08.2006 -	397	540	12419	3664	3664
TGA 27.440	10.2008 -	324	440	12419	4091	
TGA 27.440	10.2008 -	324	440	12419	3664	3664
TGA 28.310	06.2004 -	228	310	10518	4091	
TGA 28.310	06.2004 -	228	310	10518	3664	3664
TGA 28.310	07.2006 -	228	310	10518	3498	
TGA 28.310	07.2006 -	228	310	10518	4091	
TGA 28.310	07.2006 -	228	310	10518	3498	3498
TGA 28.310	07.2006 -	228	310	11967	3498	
TGA 28.310	07.2006 -	228	310	11967	4091	
TGA 28.310	07.2006 -	228	310	11967	3498	3498
TGA 28.310	09.2002 -	228	310	10518	4091	
TGA 28.310	09.2002 -	228	310	10518	3664	3664
TGA 28.310	09.2002 -	228	310	11967	4091	
TGA 28.310	09.2002 -	228	310	11967	3498	3498
TGA 28.310	09.2002 -	228	310	11967	3664	3664
TGA 28.310, 28.320	07.2006 -	228	310	10518	4091	
TGA 28.310, 28.320	07.2006 -	228	310	10518	3664	3664
TGA 28.320	06.2004 -	235	320	10518	4091	
TGA 28.320	06.2004 -	235	320	10518	3664	3664
TGA 28.320	07.2006 -	228	310	10518	4091	
TGA 28.320	07.2006 -	228	310	10518	3828	3828
TGA 28.320	07.2006 -	228	310	10518	3664	3664
TGA 28.350	02.2004 -	257	350	10518	4091	
TGA 28.350	02.2004 -	257	350	10518	3664	3664
TGA 28.350	07.2006 -	257	350	10518	4091	
TGA 28.350	07.2006 -	257	350	10518	3664	3664
TGA 28.350, 28.360	06.2004 -	257	350	10518	4091	
TGA 28.350, 28.360	06.2004 -	257	350	10518	3828	3828
TGA 28.350, 28.360	06.2004 -	257	350	10518	3664	3664
TGA 28.350, 28.360	07.2006 -	257	350	10518	4091	
TGA 28.350, 28.360	07.2006 -	257	350	10518	3664	3664
TGA 28.360	04.2006 -	265	360	10518	4091	
TGA 28.360	04.2006 -	265	360	10518	3664	3664
TGA 28.360	07.2006 -	265	360	10518	4091	
TGA 28.360	07.2006 -	265	360	10518	3664	3664
TGA 28.360	07.2006 -	265	360	11967	3498	
TGA 28.360	07.2006 -	265	360	11967	4091	
TGA 28.360	07.2006 -	265	360	11967	3498	3498
TGA 28.360	07.2006 -	265	360	11967	3664	3664
TGA 28.360	09.2002 -	265	360	11967	4091	
TGA 28.360	09.2002 -	265	360	11967	3498	3498
TGA 28.360	09.2002 -	265	360	11967	3664	3664
TGA 28.390	05.2004 -	287	390	10518	4091	
TGA 28.390	05.2004 -	287	390	10518	3664	3664
TGA 28.390	07.2006 -	287	390	10518	3498	
TGA 28.390	07.2006 -	287	390	10518	4091	
TGA 28.390	07.2006 -	287	390	10518	3498	3498
TGA 28.390	07.2006 -	287	390	10518	3664	3664
TGA 28.390	07.2006 -	353	480	12816	4091	
TGA 28.390	07.2006 -	353	480	12816	3664	3664
TGA 28.390, 28.400	06.2004 -	287	390	10518	4091	
TGA 28.390, 28.400	06.2004 -	287	390	10518	3828	3828
TGA 28.390, 28.400	06.2004 -	287	390	10518	3664	3664
TGA 28.400	04.2006 -	294	400	10518	4091	
TGA 28.400	04.2006 -	294	400	10518	3664	3664
TGA 28.400	07.2006 -	294	400	10518	3498	





## MAKE & MODEL



## YEAR

## KW

## PS

## CC



### MAN

MAKE & MODEL	YEAR	KW	PS	CC		
TGA 28.400	07.2006 -	294	400	10518	4091	
TGA 28.400	07.2006 -	294	400	10518	3498	3498
TGA 28.400	07.2006 -	294	400	10518	3664	3664
TGA 28.410	07.2006 -	301	410	11967	3498	
TGA 28.410	07.2006 -	301	410	11967	4091	
TGA 28.410	07.2006 -	301	410	11967	3498	3498
TGA 28.410	07.2006 -	301	410	11967	3664	3664
TGA 28.410	09.2002 -	301	410	11967	4091	
TGA 28.410	09.2002 -	301	410	11967	3498	3498
TGA 28.410	09.2002 -	301	410	11967	3664	3664
TGA 28.430	05.2004 -	316	430	10518	4091	
TGA 28.430	05.2004 -	316	430	10518	3664	3664
TGA 28.430	07.2006 -	316	430	10518	3498	
TGA 28.430	07.2006 -	316	430	10518	4091	
TGA 28.430	07.2006 -	316	430	10518	3498	3498
TGA 28.430	07.2006 -	316	430	10518	3664	3664
TGA 28.430, 28.440	06.2004 -	316	430	10518	4091	
TGA 28.430, 28.440	06.2004 -	316	430	10518	3828	3828
TGA 28.430, 28.440	06.2004 -	316	430	10518	3664	3664
TGA 28.440	07.2006 -	324	440	10518	3498	
TGA 28.440	07.2006 -	324	440	10518	4091	
TGA 28.440	07.2006 -	324	440	10518	3498	3498
TGA 28.440	07.2006 -	324	440	10518	3664	3664
TGA 28.440	09.2005 -	324	440	10518	4091	
TGA 28.440	09.2005 -	324	440	10518	3664	3664
TGA 28.460	09.2002 -	338	460	12816	4091	
TGA 28.460	09.2002 -	338	460	12816	3498	3498
TGA 28.460	09.2002 -	338	460	12816	3664	3664
TGA 28.480	02.2006 -	353	480	12419	4091	
TGA 28.480	02.2006 -	353	480	12419	3664	3664
TGA 28.480	07.2006 -	353	480	12419	4091	
TGA 28.480	07.2006 -	353	480	12419	3664	3664
TGA 28.480	07.2006 -	353	480	12816	4091	
TGA 28.480	07.2006 -	353	480	12816	3664	3664
TGA 28.480	09.2002 -	353	480	12816	4091	
TGA 28.480	09.2002 -	353	480	12816	3498	3498
TGA 28.480	09.2002 -	353	480	12816	3664	3664
TGA 28.510	09.2002 -	375	510	12816	4091	
TGA 28.510	09.2002 -	375	510	12816	3498	3498
TGA 28.510	09.2002 -	375	510	12816	3664	3664
TGA 28.530	07.2006 -	390	530	12816	4091	
TGA 28.530	07.2006 -	390	530	12816	3664	3664
TGA 28.530	09.2002 -	390	530	12816	4091	
TGA 28.530	09.2002 -	390	530	12816	3498	3498
TGA 28.530	09.2002 -	390	530	12816	3664	3664
TGA 28.540	08.2006 -	397	540	12419	4091	
TGA 28.540	08.2006 -	397	540	12419	3664	3664
TGA 32.310	01.2002 -	228	310	11967	4091	
TGA 32.310	01.2002 -	228	310	11967	3498	3498
TGA 32.310	01.2002 -	228	310	11967	3664	3664
TGA 32.350, 32.360	02.2004 -	257	350	10518	4091	
TGA 32.350, 32.360	02.2004 -	257	350	10518	3664	3664
TGA 32.350, 32.360	05.2004 -	257	350	10518	4091	
TGA 32.350, 32.360	05.2004 -	257	350	10518	3664	3664
TGA 32.360	01.2002 -	265	360	11967	4091	
TGA 32.360	01.2002 -	265	360	11967	3498	3498
TGA 32.360	01.2002 -	265	360	11967	3664	3664
TGA 32.390, 32.400	05.2004 -	287	390	10518	4091	
TGA 32.390, 32.400	05.2004 -	287	390	10518	3664	3664
TGA 32.410	01.2002 -	301	410	11967	4091	
TGA 32.410	01.2002 -	301	410	11967	3498	3498
TGA 32.410	01.2002 -	301	410	11967	3664	3664
TGA 32.430, 32.440	05.2004 -	316	430	10518	4091	
TGA 32.430, 32.440	05.2004 -	316	430	10518	3664	3664
TGA 32.460	01.2002 -	338	460	12816	4091	
TGA 32.460	01.2002 -	338	460	12816	3498	3498
TGA 32.460	01.2002 -	338	460	12816	3664	3664

**MAKE & MODEL****YEAR****KW****PS****CC****MAN**

TGA 32.480	02.2006 -	353	480	12419	4091	
TGA 32.480	02.2006 -	353	480	12419	3664	3664
TGA 32.480	09.2002 -	353	480	12816	4091	
TGA 32.480	09.2002 -	353	480	12816	3498	3498
TGA 32.480	09.2002 -	353	480	12816	3664	3664
TGA 33.350	09.2007 -	257	350	10518	4091	
TGA 33.350	09.2007 -	257	350	10518	3664	3664
TGA 33.350, 33.360	05.2004 -	257	350	10518	4091	
TGA 33.350, 33.360	05.2004 -	257	350	10518	3664	3664
TGA 33.350, 33.360	06.2005 -	257	350	10518	4091	
TGA 33.350, 33.360	06.2005 -	257	350	10518	3498	3498
TGA 33.350, 33.360	06.2005 -	257	350	10518	3664	3664
TGA 33.360	01.2001 -	265	360	11967	3497	
TGA 33.360	01.2001 -	265	360	11967	4091	
TGA 33.360	01.2001 -	265	360	11967	3498	3498
TGA 33.360	01.2001 -	265	360	11967	3664	3664
TGA 33.360	09.2002 -	265	360	11967	4091	
TGA 33.360	09.2002 -	265	360	11967	3498	3498
TGA 33.360	09.2002 -	265	360	11967	4091	4091
TGA 33.360	09.2002 -	265	360	11967	3664	3664
TGA 33.360	09.2007 -	265	360	10518	4091	
TGA 33.360	09.2007 -	265	360	10518	3664	3664
TGA 33.360	10.2000 -	265	360	11967	4091	
TGA 33.360	10.2000 -	265	360	11967	3498	3498
TGA 33.360	10.2000 -	265	360	11967	3497	3497
TGA 33.360	10.2000 -	265	360	11967	3664	3664
TGA 33.390, 33.400	05.2004 -	287	390	10518	4091	
TGA 33.390, 33.400	05.2004 -	287	390	10518	3664	3664
TGA 33.390, 33.400	06.2005 -	287	390	10518	4091	4091
TGA 33.390, 33.400	09.2007 -	287	390	10518	4091	
TGA 33.390, 33.400	09.2007 -	287	390	10518	3664	3664
TGA 33.410	09.2002 -	301	410	11967	4091	4091
TGA 33.410	09.2002 -	301	410	11967	3664	3664
TGA 33.410	10.2000 -	301	410	11967	4091	
TGA 33.410	10.2000 -	301	410	11967	3498	3498
TGA 33.410	10.2000 -	301	410	11967	3497	3497
TGA 33.410	10.2000 -	301	410	11967	3664	3664
TGA 33.430	09.2007 -	316	430	10518	3498	
TGA 33.430	09.2007 -	316	430	10518	4091	
TGA 33.430	09.2007 -	316	430	10518	3498	3498
TGA 33.430, 33.440	05.2004 -	316	430	10518	4091	
TGA 33.430, 33.440	05.2004 -	316	430	10518	3664	3664
TGA 33.430, 33.440	06.2005 -	316	430	10518	4091	4091
TGA 33.440	06.2005 -	324	440	12419	4091	
TGA 33.440	06.2005 -	324	440	12419	4091	4091
TGA 33.440	06.2005 -	324	440	12419	4129	4129
TGA 33.440	06.2005 -	324	440	12419	3664	3664
TGA 33.440	09.2007 -	324	440	12419	4091	
TGA 33.440	09.2007 -	324	440	12419	3664	3664
TGA 33.460	09.2002 -	338	460	12816	4091	
TGA 33.460	09.2002 -	338	460	12816	3498	3498
TGA 33.460	09.2002 -	338	460	12816	4091	4091
TGA 33.460	09.2002 -	338	460	12816	3664	3664
TGA 33.480	01.2006 -	353	480	12419	4091	
TGA 33.480	01.2006 -	353	480	12419	3664	3664
TGA 33.480	02.2006 -	353	480	12419	4091	4091
TGA 33.480	09.2002 -	353	480	12816	4091	
TGA 33.480	09.2002 -	353	480	12816	3498	3498
TGA 33.480	09.2002 -	353	480	12816	4091	4091
TGA 33.480	09.2002 -	353	480	12816	3664	3664
TGA 33.480	09.2007 -	353	480	12419	4091	
TGA 33.480	09.2007 -	353	480	12419	3664	3664
TGA 33.510	09.2002 -	375	510	12816	4091	
TGA 33.510	09.2002 -	375	510	12816	3498	3498
TGA 33.510	09.2002 -	375	510	12816	3664	3664
TGA 33.530	07.2003 -	390	530	12816	4091	
TGA 33.530	07.2003 -	390	530	12816	3498	3498

**MAKE & MODEL****YEAR****KW****PS****CC****MAN**

TGA 33.530	07.2003 -	390	530	12816	3664	3664
TGA 33.530	09.2002 -	390	530	12816	4091	
TGA 33.530	09.2002 -	390	530	12816	3498	3498
TGA 33.530	09.2002 -	390	530	12816	4091	4091
TGA 33.530	09.2002 -	390	530	12816	3664	3664
TGA 35.310	06.2003 -	228	310	11967	4091	
TGA 35.310	06.2003 -	228	310	11967	3498	3498
TGA 35.310	06.2003 -	228	310	11967	3664	3664
TGA 35.310	11.2003 -	228	310	11967	4091	
TGA 35.310	11.2003 -	228	310	11967	3664	3664
TGA 35.310, 35.320	02.2004 -	228	310	10518	4091	
TGA 35.310, 35.320	02.2004 -	228	310	10518	3664	3664
TGA 35.350	07.2006 -	257	350	10518	4091	
TGA 35.350	07.2006 -	257	350	10518	3664	3664
TGA 35.350, 35.360	02.2004 -	257	350	10518	4091	
TGA 35.350, 35.360	02.2004 -	257	350	10518	3664	3664
TGA 35.360	07.2006 -	265	360	10518	3498	
TGA 35.360	07.2006 -	265	360	10518	4091	
TGA 35.360	07.2006 -	265	360	10518	3498	3498
TGA 35.360	07.2006 -	265	360	10518	3664	3664
TGA 35.360	07.2006 -	265	360	11967	4091	
TGA 35.360	07.2006 -	265	360	11967	3664	3664
TGA 35.360	10.2003 -	265	360	11967	4091	
TGA 35.360	10.2003 -	265	360	11967	3498	3498
TGA 35.360	10.2003 -	265	360	11967	3664	3664
TGA 35.360	11.2003 -	265	360	11967	4091	
TGA 35.360	11.2003 -	265	360	11967	3664	3664
TGA 35.390	02.2004 -	287	390	10518	4091	
TGA 35.390	02.2004 -	287	390	10518	3664	3664
TGA 35.390	07.2006 -	287	390	10518	4091	
TGA 35.390	07.2006 -	287	390	10518	3664	3664
TGA 35.390, 35.400	02.2004 -	287	390	10518	4091	
TGA 35.390, 35.400	02.2004 -	287	390	10518	3664	3664
TGA 35.400	02.2004 -	294	400	10518	4091	
TGA 35.400	02.2004 -	294	400	10518	3664	3664
TGA 35.400	07.2006 -	294	400	10518	4091	
TGA 35.400	07.2006 -	294	400	10518	3664	3664
TGA 35.400	11.2006 -	294	400	10518	3498	
TGA 35.400	11.2006 -	294	400	10518	4091	
TGA 35.400	11.2006 -	294	400	10518	3498	3498
TGA 35.400	11.2006 -	294	400	10518	3664	3664
TGA 35.410	07.2006 -	301	410	11967	4091	
TGA 35.410	07.2006 -	301	410	11967	3498	3498
TGA 35.410	07.2006 -	301	410	11967	3664	3664
TGA 35.410	10.2003 -	301	410	11967	4091	
TGA 35.410	10.2003 -	301	410	11967	3498	3498
TGA 35.410	10.2003 -	301	410	11967	3664	3664
TGA 35.410	11.2003 -	301	410	11967	4091	
TGA 35.410	11.2003 -	301	410	11967	3664	3664
TGA 35.430	07.2006 -	316	430	10518	4091	
TGA 35.430	07.2006 -	316	430	10518	3664	3664
TGA 35.430, 35.440	02.2004 -	316	430	10518	4091	
TGA 35.430, 35.440	02.2004 -	316	430	10518	3664	3664
TGA 35.440	07.2006 -	324	440	10518	3498	
TGA 35.440	07.2006 -	324	440	10518	4091	
TGA 35.440	07.2006 -	324	440	10518	3498	3498
TGA 35.440	07.2006 -	324	440	10518	3664	3664
TGA 35.440	11.2006 -	324	440	10518	3498	
TGA 35.440	11.2006 -	324	440	10518	4091	
TGA 35.440	11.2006 -	324	440	10518	3498	3498
TGA 35.440	11.2006 -	324	440	10518	3664	3664
TGA 35.460	07.2006 -	338	460	12816	4091	
TGA 35.460	07.2006 -	338	460	12816	3664	3664
TGA 35.460	10.2003 -	338	460	12816	4091	
TGA 35.460	10.2003 -	338	460	12816	3498	3498
TGA 35.460	10.2003 -	338	460	12816	3664	3664
TGA 35.460	11.2003 -	338	460	12816	4091	

**MAKE & MODEL****YEAR****KW****PS****CC****MAN**

TGA 35.460	11.2003 -	338	460	12816	3664	3664
TGA 35.480	02.2004 -	353	480	12419	4091	
TGA 35.480	02.2004 -	353	480	12419	3664	3664
TGA 35.480	07.2006 -	353	480	12419	4091	
TGA 35.480	07.2006 -	353	480	12419	3664	3664
TGA 35.480	07.2006 -	353	480	12816	4091	
TGA 35.480	07.2006 -	353	480	12816	3498	3498
TGA 35.480	07.2006 -	353	480	12816	3664	3664
TGA 35.480	10.2003 -	353	480	12816	4091	
TGA 35.480	10.2003 -	353	480	12816	3498	3498
TGA 35.480	10.2003 -	353	480	12816	3664	3664
TGA 35.480	11.2003 -	353	480	12816	4091	
TGA 35.480	11.2003 -	353	480	12816	3664	3664
TGA 35.480	11.2006 -	353	480	12419	3498	
TGA 35.480	11.2006 -	353	480	12419	4091	
TGA 35.480	11.2006 -	353	480	12419	3498	3498
TGA 35.480	11.2006 -	353	480	12419	3664	3664
TGA 35.530	04.2004 -	390	530	12816	4091	
TGA 35.530	04.2004 -	390	530	12816	3664	3664
TGA 35.530	07.2006 -	390	530	12816	4091	
TGA 35.530	07.2006 -	390	530	12816	3498	3498
TGA 35.530	07.2006 -	390	530	12816	3664	3664
TGA 37.310	12.2004 -	228	310	11967	4091	
TGA 37.310	12.2004 -	228	310	11967	3664	3664
TGA 37.310, 37.320	12.2004 -	228	310	10518	4091	
TGA 37.310, 37.320	12.2004 -	228	310	10518	3664	3664
TGA 37.350, 37.360	12.2004 -	257	350	10518	4091	
TGA 37.350, 37.360	12.2004 -	257	350	10518	3664	3664
TGA 37.360	12.2004 -	265	360	11967	4091	
TGA 37.360	12.2004 -	265	360	11967	3664	3664
TGA 37.390, 37.400	12.2004 -	287	390	10518	4091	
TGA 37.390, 37.400	12.2004 -	287	390	10518	3664	3664
TGA 37.410	12.2004 -	301	410	11967	4091	
TGA 37.410	12.2004 -	301	410	11967	3664	3664
TGA 37.430, 37.440	12.2004 -	316	430	10518	4091	
TGA 37.430, 37.440	12.2004 -	316	430	10518	3664	3664
TGA 37.460	12.2004 -	338	460	12816	4091	
TGA 37.460	12.2004 -	338	460	12816	3664	3664
TGA 37.480	02.2006 -	353	480	12419	4091	
TGA 37.480	02.2006 -	353	480	12419	3664	3664
TGA 37.480	12.2004 -	353	480	12816	4091	
TGA 37.480	12.2004 -	353	480	12816	3664	3664
TGA 37.530	12.2004 -	390	530	12816	4091	
TGA 37.530	12.2004 -	390	530	12816	3664	3664
TGA 39.390	07.2006 -	287	390	10518	4091	
TGA 39.390	07.2006 -	287	390	10518	3664	3664
TGA 39.400	07.2006 -	294	400	10518	4091	
TGA 39.400	07.2006 -	294	400	10518	3664	3664
TGA 39.430	07.2006 -	316	430	10518	4091	
TGA 39.430	07.2006 -	316	430	10518	3664	3664
TGA 39.440	07.2006 -	324	440	10518	4091	
TGA 39.440	07.2006 -	324	440	10518	3664	3664
TGA 39.480	07.2006 -	353	480	12419	4091	
TGA 39.480	07.2006 -	353	480	12419	3664	3664
TGA 40.390, 40.400	06.2005 -	287	390	10518	4091	
TGA 40.390, 40.400	06.2005 -	287	390	10518	4091	4091
TGA 40.390, 40.400	06.2005 -	287	390	10518	3664	3664
TGA 40.410	04.2004 -	301	410	11967	4091	
TGA 40.410	04.2004 -	301	410	11967	4091	4091
TGA 40.410	04.2004 -	301	410	11967	3664	3664
TGA 40.430	06.2005 -	316	430	10518	4091	
TGA 40.430	06.2005 -	316	430	10518	3664	3664
TGA 40.430, 40.440	06.2005 -	316	430	10518	4091	4091
TGA 40.440	06.2005 -	324	440	12419	4091	
TGA 40.440	06.2005 -	324	440	12419	4091	4091
TGA 40.440	06.2005 -	324	440	12419	3664	3664
TGA 40.460	04.2004 -	338	460	12816	4091	

**MAKE & MODEL****YEAR****KW****PS****CC****MAN**

TGA 40.460	04.2004 -	338	460	12816	4091	4091
TGA 40.460	04.2004 -	338	460	12816	3664	3664
TGA 40.480	04.2004 -	353	480	12816	4091	
TGA 40.480	04.2004 -	353	480	12816	4091	4091
TGA 40.480	04.2004 -	353	480	12816	3664	3664
TGA 40.480	06.2005 -	353	480	12419	4091	
TGA 40.480	06.2005 -	353	480	12419	4091	4091
TGA 40.480	06.2005 -	353	480	12419	3664	3664
TGA 41.350	09.2007 -	257	350	10518	4091	
TGA 41.350	09.2007 -	257	350	10518	3664	3664
TGA 41.350, 41.360	12.2004 -	257	350	10518	4091	
TGA 41.350, 41.360	12.2004 -	257	350	10518	3664	3664
TGA 41.360	01.2003 -	265	360	11967	4091	
TGA 41.360	01.2003 -	265	360	11967	3498	3498
TGA 41.360	01.2003 -	265	360	11967	3664	3664
TGA 41.360	09.2003 -	265	360	11967	4091	
TGA 41.360	09.2003 -	265	360	11967	3498	3498
TGA 41.360	09.2003 -	265	360	11967	3664	3664
TGA 41.360	09.2007 -	265	360	10518	4091	
TGA 41.360	09.2007 -	265	360	10518	3664	3664
TGA 41.360	12.2004 -	265	360	11967	4091	
TGA 41.360	12.2004 -	265	360	11967	3664	3664
TGA 41.360	12.2008 -	265	360	10518	4091	
TGA 41.360	12.2008 -	265	360	10518	3664	3664
TGA 41.390	09.2007 -	287	390	10518	4091	
TGA 41.390	09.2007 -	287	390	10518	3664	3664
TGA 41.390	12.2004 -	287	390	10518	4091	
TGA 41.390	12.2004 -	287	390	10518	3664	3664
TGA 41.390, 41.400	12.2004 -	287	390	10518	4091	
TGA 41.390, 41.400	12.2004 -	287	390	10518	3664	3664
TGA 41.400	09.2007 -	294	400	10518	4091	
TGA 41.400	09.2007 -	294	400	10518	3664	3664
TGA 41.400	12.2008 -	294	400	10518	4091	
TGA 41.400	12.2008 -	294	400	10518	3664	3664
TGA 41.410	07.2006 -	301	410	11967	4091	
TGA 41.410	07.2006 -	301	410	11967	3498	3498
TGA 41.410	07.2006 -	301	410	11967	3664	3664
TGA 41.410	09.2003 -	301	410	11967	4091	
TGA 41.410	09.2003 -	301	410	11967	3498	3498
TGA 41.410	09.2003 -	301	410	11967	3664	3664
TGA 41.410	12.2004 -	301	410	11967	4091	
TGA 41.410	12.2004 -	301	410	11967	3664	3664
TGA 41.430	07.2006 -	316	430	10518	4091	
TGA 41.430	07.2006 -	316	430	10518	3664	3664
TGA 41.430	09.2007 -	316	430	10518	4091	
TGA 41.430	09.2007 -	316	430	10518	3664	3664
TGA 41.430	12.2004 -	316	430	10518	4091	
TGA 41.430	12.2004 -	316	430	10518	3664	3664
TGA 41.430, 41.440	12.2004 -	316	430	10518	4091	
TGA 41.430, 41.440	12.2004 -	316	430	10518	3664	3664
TGA 41.440	07.2006 -	324	440	10518	4091	
TGA 41.440	07.2006 -	324	440	10518	3664	3664
TGA 41.440	12.2004 -	324	440	12419	4091	
TGA 41.440	12.2004 -	324	440	12419	3664	3664
TGA 41.460	09.2003 -	338	460	12816	4091	
TGA 41.460	09.2003 -	338	460	12816	3498	3498
TGA 41.460	09.2003 -	338	460	12816	3664	3664
TGA 41.460	12.2004 -	338	460	12816	4091	
TGA 41.460	12.2004 -	338	460	12816	3664	3664
TGA 41.480	02.2006 -	353	480	12419	4091	
TGA 41.480	02.2006 -	353	480	12419	3664	3664
TGA 41.480	06.2005 -	353	480	12816	4091	
TGA 41.480	06.2005 -	353	480	12816	3664	3664
TGA 41.480	07.2006 -	353	480	12419	4091	
TGA 41.480	07.2006 -	353	480	12419	3664	3664
TGA 41.480	07.2006 -	353	480	12816	4091	
TGA 41.480	07.2006 -	353	480	12816	3498	3498

**MAKE & MODEL****YEAR****KW****PS****CC****MAN**

TGA 41.480	07.2006 -	353	480	12816	3664	3664
TGA 41.480	12.2004 -	353	480	12816	4091	
TGA 41.480	12.2004 -	353	480	12816	3664	3664
TGA 41.530	07.2006 -	353	480	12816	4091	
TGA 41.530	07.2006 -	353	480	12816	3498	3498
TGA 41.530	07.2006 -	353	480	12816	3664	3664
TGA 41.530	07.2006 -	390	530	12816	4091	
TGA 41.530	07.2006 -	390	530	12816	3664	3664
TGA 41.530	09.2002 -	390	530	12816	4091	
TGA 41.530	09.2002 -	390	530	12816	3498	3498
TGA 41.530	09.2002 -	390	530	12816	3664	3664
TGA 41.530	12.2004 -	390	530	12816	4091	
TGA 41.530	12.2004 -	390	530	12816	3664	3664
TGA 41.540	11.2006 -	397	540	12419	4091	
TGA 41.540	11.2006 -	397	540	12419	3664	3664
TGA 41.660	09.2002 -	485	660	18273	4091	
TGA 41.660	09.2002 -	485	660	18273	3498	3498
TGA 41.660	09.2002 -	485	660	18273	3664	3664
TGL 10.180	04.2005 -	132	180	4580	3908	3908
TGL 10.180	08.2012 -	132	179	4580	3908	3908
TGL 10.190	12.2017 -	140	190	4580	3908	3908
TGL 10.210	04.2005 -	151	206	4580	3908	3908
TGL 10.220	04.2005 -	162	220	4580	3908	3908
TGL 10.220	08.2012 -	162	220	4580	3908	3908
TGL 10.240	04.2005 -	176	240	6871	3908	3908
TGL 10.250	04.2005 -	184	250	6871	3908	3908
TGL 10.250	04.2008 -	184	250	6871	3908	3908
TGL 12.180	04.2005 -	132	180	4580	3908	3908
TGL 12.180	08.2012 -	132	179	4580	3908	3908
TGL 12.190	12.2017 -	140	190	4580	3908	3908
TGL 12.210	04.2005 -	151	206	4580	3908	3908
TGL 12.220	04.2005 -	162	220	4580	3908	3908
TGL 12.220	08.2012 -	162	220	4580	3908	3908
TGL 12.240	04.2005 -	176	240	6871	3908	3908
TGL 12.250	04.2005 -	184	250	6871	3908	3908
TGL 12.250	04.2008 -	184	250	6871	3908	3908
TGL 7.150	01.2004 -	110	150	4580	3908	3908
TGL 7.150, 8.150	04.2005 -	110	150	4580	3908	3908
TGL 7.160	12.2017 -	118	160	4580	3908	3908
TGL 7.180	01.2004 -	132	179	4580	3908	3908
TGL 7.180	08.2012 -	132	179	4580	3908	3908
TGL 7.180, 8.180	04.2005 -	132	180	4580	3908	3908
TGL 7.190	01.2018 -	140	190	4580	3908	3908
TGL 7.190	12.2017 -	140	190	4580	3908	3908
TGL 8.150	10.2006 -	110	150	4580	3908	3908
TGL 8.160	01.2018 -	118	160	4580	3908	3908
TGL 8.160	12.2017 -	118	160	4580	3908	3908
TGL 8.180	04.2005 -	132	180	4580	3908	3908
TGL 8.180	08.2012 -	132	179	4580	3908	3908
TGL 8.190	01.2018 -	140	190	4580	3908	3908
TGL 8.190	12.2017 -	140	190	4580	3908	3908
TGL 8.210	04.2005 -	151	206	4580	3908	3908
TGL 8.220	04.2005 -	162	220	4580	3908	3908
TGL 8.220	08.2012 -	162	220	4580	3908	3908
TGL 8.240	04.2005 -	176	240	6871	3908	3908
TGL 8.250	04.2005 -	184	250	6871	3908	3908
TGL 8.250	04.2008 -	184	250	6871	3908	3908
TGM 12.240	10.2005 -	176	240	6871	3789	3789
TGM 12.240	10.2005 -	176	240	6871	3789/1	3789/1
TGM 12.250	10.2005 -	184	250	6871	3789	3789
TGM 12.250	10.2005 -	184	250	6871	3664	3664
TGM 12.250	10.2005 -	184	250	6871	3789/1	3789/1
TGM 12.280	10.2005 -	206	280	6871	3789	3789
TGM 12.280	10.2005 -	206	280	6871	3789/1	3789/1
TGM 12.290	10.2005 -	213	290	6871	3789	3789
TGM 12.290	10.2005 -	213	290	6871	3664	3664
TGM 12.290	10.2005 -	213	290	6871	3789/1	3789/1



**MAKE & MODEL****YEAR****KW****PS****CC****MAN**

TGM 13.240	04.2006 -	176	240	6871	3789	3789
TGM 13.240	04.2006 -	176	240	6871	3789/1	3789/1
TGM 13.240	10.2005 -	176	240	6871	3789	3789
TGM 13.240	10.2005 -	176	240	6871	3789/1	3789/1
TGM 13.250	10.2005 -	184	250	6871	3789	3789
TGM 13.250	10.2005 -	184	250	6871	3664	3664
TGM 13.250	10.2005 -	184	250	6871	3789/1	3789/1
TGM 13.280	04.2006 -	206	280	6871	3789	3789
TGM 13.280	04.2006 -	206	280	6871	3789/1	3789/1
TGM 13.280	10.2005 -	206	280	6871	3789	3789
TGM 13.280	10.2005 -	206	280	6871	3789/1	3789/1
TGM 13.290	10.2005 -	213	290	6871	3789	3789
TGM 13.290	10.2005 -	213	290	6871	3664	3664
TGM 13.290	10.2005 -	213	290	6871	3789/1	3789/1
TGM 15.240	10.2005 -	176	240	6871	3789	3789
TGM 15.240	10.2005 -	176	240	6871	3664	3664
TGM 15.240	10.2005 -	176	240	6871	3789/1	3789/1
TGM 15.250	10.2005 -	184	250	6871	3789	3789
TGM 15.250	10.2005 -	184	250	6871	3664	3664
TGM 15.250	10.2005 -	184	250	6871	3789/1	3789/1
TGM 15.280	10.2005 -	206	280	6871	3789	3789
TGM 15.280	10.2005 -	206	280	6871	3664	3664
TGM 15.280	10.2005 -	206	280	6871	3789/1	3789/1
TGM 15.290	10.2005 -	213	290	6871	3789	3789
TGM 15.290	10.2005 -	213	290	6871	3664	3664
TGM 15.290	10.2005 -	213	290	6871	3789/1	3789/1
TGM 15.320	12.2017 -	235	320	6871	4091	4091
TGM 15.330	10.2005 -	240	326	6871	3789	3789
TGM 15.330	10.2005 -	240	326	6871	3664	3664
TGM 15.330	10.2005 -	240	326	6871	3789/1	3789/1
TGM 15.340	10.2005 -	250	340	6871	3789	3789
TGM 15.340	10.2005 -	250	340	6871	3664	3664
TGM 15.340	10.2005 -	250	340	6871	3789/1	3789/1
TGM 16.240	05.2005 -	176	239	6871	3789	3789
TGM 16.240	05.2005 -	176	239	6871	3789/1	3789/1
TGM 16.250	04.2008 -	184	250	6871	3789	3789
TGM 16.250	04.2008 -	184	250	6871	3789/1	3789/1
TGM 16.280	05.2005 -	206	280	6871	3789	3789
TGM 16.280	05.2005 -	206	280	6871	3789/1	3789/1
TGM 16.290	04.2008 -	213	290	6871	3789	3789
TGM 16.290	04.2008 -	213	290	6871	3789/1	3789/1
TGM 18.240	05.2006 -	176	240	6871	4091	
TGM 18.240	05.2006 -	176	240	6871	3664	3664
TGM 18.240	10.2005 -	176	240	6871	4091	
TGM 18.240	10.2005 -	176	240	6871	3664	3664
TGM 18.250	10.2005 -	184	250	6871	4091	
TGM 18.250	10.2005 -	184	250	6871	3664	3664
TGM 18.280	10.2005 -	206	280	6871	4091	
TGM 18.280	10.2005 -	206	280	6871	3664	3664
TGM 18.290	10.2005 -	213	290	6871	4091	
TGM 18.290	10.2005 -	213	290	6871	3664	3664
TGM 18.320	12.2017 -	235	320	6871	4091	4091
TGM 18.330	10.2005 -	240	326	6871	4091	
TGM 18.330	10.2005 -	240	326	6871	3664	3664
TGM 18.340	10.2005 -	250	340	6871	4091	
TGM 18.340	10.2005 -	250	340	6871	3664	3664
TGM 22.240	10.2005 -	176	240	6871	4091	
TGM 22.240	10.2005 -	176	240	6871	3664	3664
TGM 22.250	10.2005 -	184	250	6871	4091	
TGM 22.250	10.2005 -	184	250	6871	3664	3664
TGM 22.280	10.2005 -	206	280	6871	4091	
TGM 22.280	10.2005 -	206	280	6871	3664	3664
TGM 22.290	10.2005 -	213	290	6871	4091	
TGM 22.290	10.2005 -	213	290	6871	3664	3664
TGM 26.280	04.2006 -	206	280	6871	4091	
TGM 26.280	04.2006 -	206	280	6871	3664	3664
TGM 26.280	10.2005 -	206	280	6871	4091	



## MAKE & MODEL



## YEAR

## KW

## PS

## CC



### MAN

TGM 26.280	10.2005 -	206	280	6871	3664	3664
TGM 26.290	07.2008 -	213	290	6871	4091	
TGM 26.290	07.2008 -	213	290	6871	3664	3664
TGM 26.290	10.2005 -	213	290	6871	4091	
TGM 26.290	10.2005 -	213	290	6871	3664	3664
TGM 26.320	12.2017 -	235	320	6871	4091	4091
TGM 26.330	04.2006 -	240	326	6871	4091	
TGM 26.330	04.2006 -	240	326	6871	3664	3664
TGM 26.330	10.2005 -	240	326	6871	4091	
TGM 26.330	10.2005 -	240	326	6871	3664	3664
TGM 26.340	07.2008 -	250	340	6871	4091	
TGM 26.340	07.2008 -	250	340	6871	3664	3664
TGM 26.340	08.2012 -	251	341	6871	4091	4091
TGM 26.340	10.2005 -	250	340	6871	4091	
TGM 26.340	10.2005 -	250	340	6871	3664	3664
TGS 18.320	05.2007 -	235	320	10518	4091	4091
TGS 18.320	06.2006 -	235	320	10518	4091	4091
TGS 18.320	10.2007 -	235	320	10518	4091	
TGS 18.320	10.2007 -	235	320	10518	4129	
TGS 18.320	10.2007 -	235	320	10518	3664	3664
TGS 18.330	01.2019 -	243	330	9037	4091	4091
TGS 18.350	10.2007 -	257	350	10518	4091	
TGS 18.350	10.2007 -	257	350	10518	4129	
TGS 18.360	01.2019 -	265	360	9037	4091	4091
TGS 18.360	05.2007 -	265	360	10518	4091	4091
TGS 18.360	06.2006 -	265	360	10518	4091	4091
TGS 18.360	10.2007 -	265	360	10518	4091	
TGS 18.360	10.2007 -	265	360	10518	4129	
TGS 18.360	10.2007 -	265	360	10518	3664	3664
TGS 18.390	06.2008 -	287	390	10518	4091	
TGS 18.390	06.2008 -	287	390	10518	4129	
TGS 18.400	01.2019 -	294	400	9037	4091	4091
TGS 18.400	05.2007 -	294	400	10518	4091	4091
TGS 18.400	06.2006 -	294	400	10518	4091	4091
TGS 18.400	08.2012 -	294	400	12419	4091	4091
TGS 18.400	10.2007 -	294	400	10518	4091	
TGS 18.400	10.2007 -	294	400	10518	4129	
TGS 18.400	10.2007 -	294	400	10518	3664	3664
TGS 18.420	09.2016 -	309	420	12419	4091	
TGS 18.430	01.2019 -	316	430	12419	4091	4091
TGS 18.430	10.2007 -	316	430	10518	4091	
TGS 18.430	10.2007 -	316	430	10518	4129	
TGS 18.440	05.2007 -	324	441	10518	4091	4091
TGS 18.440	06.2006 -	324	441	10518	4091	4091
TGS 18.440	08.2012 -	324	441	12419	4091	4091
TGS 18.440	10.2007 -	324	440	10518	4091	
TGS 18.440	10.2007 -	324	440	10518	4129	
TGS 18.440	10.2007 -	324	440	10518	3664	3664
TGS 18.440	10.2007 -	324	440	12419	4091	
TGS 18.440	10.2007 -	324	440	12419	4129	
TGS 18.440	10.2007 -	324	441	12419	4091	
TGS 18.440	10.2007 -	324	441	12419	4129	
TGS 18.460	09.2016 -	338	460	12419	4091	
TGS 18.470	01.2019 -	346	470	12419	4091	4091
TGS 18.480	05.2007 -	353	480	12419	4091	4091
TGS 18.480	06.2006 -	353	480	12419	4091	4091
TGS 18.480	10.2007 -	353	480	12419	4091	
TGS 18.480	10.2007 -	353	480	12419	4129	
TGS 18.480	10.2007 -	353	480	12419	3664	3664
TGS 18.500	09.2016 -	368	500	12419	4091	
TGS 18.510	01.2019 -	375	510	12419	4091	4091
TGS 18.540	05.2007 -	397	540	12419	4091	4091
TGS 18.540	06.2006 -	397	540	12419	4091	4091
TGS 18.540	10.2007 -	397	540	12419	4091	
TGS 18.540	10.2007 -	397	540	12419	4129	
TGS 18.540	10.2007 -	397	540	12419	3664	3664
TGS 19.350	10.2007 -	257	350	10518	4091	



## MAKE & MODEL



YEAR

KW

PS

CC



### MAN

TGS 19.350	10.2007 -	257	350	10518	4129	
TGS 19.360	02.2011 -	265	360	10518	4091	
TGS 19.360	02.2011 -	265	360	10518	4129	
TGS 19.360	02.2011 -	265	360	10518	3664	3664
TGS 19.390	06.2008 -	287	390	10518	4091	
TGS 19.390	06.2008 -	287	390	10518	4129	
TGS 19.400	02.2011 -	294	400	10518	4091	
TGS 19.400	02.2011 -	294	400	10518	4129	
TGS 19.400	02.2011 -	294	400	10518	3664	3664
TGS 19.430	10.2007 -	316	430	10518	4091	
TGS 19.430	10.2007 -	316	430	10518	4129	
TGS 19.440	02.2011 -	324	441	10518	4091	
TGS 19.440	02.2011 -	324	441	10518	4129	
TGS 19.440	02.2011 -	324	441	10518	3664	3664
TGS 19.440	02.2011 -	324	441	12419	4091	
TGS 19.440	02.2011 -	324	441	12419	4129	
TGS 19.440	02.2011 -	324	441	12419	3664	3664
TGS 19.480	02.2011 -	353	480	12419	4091	
TGS 19.480	02.2011 -	353	480	12419	4129	
TGS 19.480	02.2011 -	353	480	12419	3664	3664
TGS 19.540	03.2009 -	397	540	12419	4091	4091
TGS 21.320	03.2009 -	235	320	10518	4091	4091
TGS 21.360	10.2007 -	265	360	10518	4091	
TGS 21.360	10.2007 -	265	360	10518	4129	
TGS 21.400	10.2007 -	294	400	10518	4091	
TGS 21.400	10.2007 -	294	400	10518	4129	
TGS 21.440	10.2007 -	324	441	10518	4091	
TGS 21.440	10.2007 -	324	441	10518	4129	
TGS 21.440	10.2007 -	324	441	12419	4091	
TGS 21.440	10.2007 -	324	441	12419	4129	
TGS 21.480	10.2007 -	353	480	12419	4091	
TGS 21.480	10.2007 -	353	480	12419	4129	
TGS 23.330	01.2019 -	243	330	9037	4091	4091
TGS 23.360	01.2019 -	265	360	9037	4091	4091
TGS 23.360	09.2016 -	265	360	10518	4091	4091
TGS 23.400	01.2019 -	294	400	9037	4091	4091
TGS 23.400	08.2012 -	294	400	12419	4091	4091
TGS 23.420	09.2016 -	309	420	12419	4091	4091
TGS 23.430	01.2019 -	316	430	12419	4091	4091
TGS 23.440	08.2012 -	324	441	12419	4091	4091
TGS 23.460	09.2016 -	338	460	12419	4091	4091
TGS 23.470	01.2019 -	346	470	12419	4091	4091
TGS 23.480	08.2012 -	353	480	12419	4091	4091
TGS 23.500	09.2016 -	368	500	12419	4091	4091
TGS 23.510	01.2019 -	375	510	12419	4091	4091
TGS 24.320	01.2008 -	235	320	10518	4091	4091
TGS 24.320	06.2006 -	235	320	10518	4091	4091
TGS 24.320	09.2016 -	235	320	10518	4091	
TGS 24.320	10.2007 -	235	320	10518	4091	
TGS 24.320	10.2007 -	235	320	10518	4129	
TGS 24.320	10.2007 -	235	320	10518	3664	3664
TGS 24.330	01.2019 -	243	330	9037	4091	4091
TGS 24.360	01.2008 -	265	360	10518	4091	4091
TGS 24.360	01.2019 -	265	360	9037	4091	4091
TGS 24.360	06.2006 -	265	360	10518	4091	4091
TGS 24.360	09.2016 -	265	360	10518	4091	
TGS 24.360	10.2007 -	265	360	10518	4091	
TGS 24.360	10.2007 -	265	360	10518	4129	
TGS 24.360	10.2007 -	265	360	10518	3664	3664
TGS 24.400	01.2008 -	294	400	10518	4091	4091
TGS 24.400	01.2019 -	294	400	9037	4091	4091
TGS 24.400	06.2006 -	294	400	10518	4091	4091
TGS 24.400	08.2012 -	294	400	12419	4091	4091
TGS 24.400	10.2007 -	294	400	10518	4091	
TGS 24.400	10.2007 -	294	400	10518	4129	
TGS 24.400	10.2007 -	294	400	10518	3664	3664
TGS 24.420	09.2016 -	309	420	12419	4091	

**MAKE & MODEL****YEAR****KW****PS****CC****MAN**

TGS 24.430	01.2019 -	316	430	12419	4091	4091
TGS 24.440	01.2008 -	324	441	10518	4091	4091
TGS 24.440	01.2008 -	324	441	12419	4091	4091
TGS 24.440	06.2006 -	324	441	10518	4091	4091
TGS 24.440	06.2006 -	324	441	12419	4091	4091
TGS 24.440	08.2012 -	324	441	12419	4091	4091
TGS 24.440	10.2007 -	324	440	10518	4091	
TGS 24.440	10.2007 -	324	440	10518	4129	
TGS 24.440	10.2007 -	324	440	10518	3664	3664
TGS 24.440	10.2007 -	324	440	12419	4091	
TGS 24.440	10.2007 -	324	440	12419	4129	
TGS 24.440	10.2007 -	324	441	12419	4091	
TGS 24.440	10.2007 -	324	441	12419	4129	
TGS 24.460	09.2016 -	338	460	12419	4091	
TGS 24.470	01.2019 -	346	470	12419	4091	4091
TGS 24.480	06.2006 -	353	480	12419	4091	4091
TGS 24.480	08.2012 -	353	480	12419	4091	4091
TGS 24.480	10.2007 -	353	480	12419	4091	
TGS 24.480	10.2007 -	353	480	12419	4129	
TGS 24.480	10.2007 -	353	480	12419	3664	3664
TGS 24.500	09.2016 -	368	500	12419	4091	
TGS 24.510	01.2019 -	375	510	12419	4091	4091
TGS 24.540	06.2006 -	397	540	12419	4091	4091
TGS 24.540	10.2007 -	397	540	12419	4091	
TGS 24.540	10.2007 -	397	540	12419	4129	
TGS 24.540	10.2007 -	397	540	12419	3664	3664
TGS 26.320	04.2007 -	235	320	10518	4091	4091
TGS 26.320	06.2006 -	235	320	10518	4091	4091
TGS 26.320	07.2006 -	235	320	10518	4091	4091
TGS 26.320	07.2008 -	235	320	10518	4091	
TGS 26.320	07.2008 -	235	320	10518	4129	
TGS 26.320	07.2008 -	235	320	10518	3664	3664
TGS 26.320	10.2007 -	235	320	10518	4091	
TGS 26.320	10.2007 -	235	320	10518	4129	
TGS 26.320	10.2007 -	235	320	10518	3664	3664
TGS 26.330	01.2019 -	243	330	9037	4091	4091
TGS 26.350	06.2010 -	257	349	10518	4091	4091
TGS 26.350	08.2009 -	257	349	10518	4091	4091
TGS 26.350	10.2007 -	257	350	10518	4091	
TGS 26.350	10.2007 -	257	350	10518	4129	
TGS 26.360	01.2019 -	265	360	9037	4091	4091
TGS 26.360	04.2007 -	265	360	10518	4091	4091
TGS 26.360	05.2008 -	265	360	10518	4091	
TGS 26.360	05.2008 -	265	360	10518	4129	
TGS 26.360	05.2008 -	265	360	10518	3664	3664
TGS 26.360	06.2006 -	265	360	10518	4091	4091
TGS 26.360	07.2006 -	265	360	10518	4091	4091
TGS 26.360	07.2008 -	265	360	10518	4091	
TGS 26.360	07.2008 -	265	360	10518	4129	
TGS 26.360	07.2008 -	265	360	10518	3664	3664
TGS 26.360	08.2008 -	265	360	10518	4091	
TGS 26.360	08.2008 -	265	360	10518	4129	
TGS 26.360	08.2008 -	265	360	10518	3664	3664
TGS 26.360	10.2007 -	265	360	10518	4091	
TGS 26.360	10.2007 -	265	360	10518	4129	
TGS 26.360	10.2007 -	265	360	10518	3664	3664
TGS 26.390	06.2008 -	287	390	10518	4091	
TGS 26.390	06.2008 -	287	390	10518	4129	
TGS 26.390	06.2010 -	287	390	10518	4091	4091
TGS 26.400	01.2019 -	294	400	9037	4091	4091
TGS 26.400	02.2009 -	294	400	10518	4091	
TGS 26.400	02.2009 -	294	400	10518	4129	
TGS 26.400	02.2009 -	294	400	10518	3664	3664
TGS 26.400	04.2007 -	294	400	10518	4091	4091
TGS 26.400	05.2008 -	294	400	10518	4091	
TGS 26.400	05.2008 -	294	400	10518	4129	
TGS 26.400	05.2008 -	294	400	10518	3664	3664

**MAKE & MODEL****YEAR****KW****PS****CC****MAN**

TGS 26.400	06.2006 -	294	400	10518	4091	4091
TGS 26.400	07.2006 -	294	400	10518	4091	4091
TGS 26.400	07.2008 -	294	400	10518	4091	
TGS 26.400	07.2008 -	294	400	10518	4129	
TGS 26.400	07.2008 -	294	400	10518	3664	3664
TGS 26.400	08.2008 -	294	400	10518	4091	
TGS 26.400	08.2008 -	294	400	10518	4129	
TGS 26.400	08.2008 -	294	400	10518	3664	3664
TGS 26.400	08.2012 -	294	400	12419	4091	4091
TGS 26.400	09.2007 -	294	400	10518	4091	
TGS 26.400	09.2007 -	294	400	10518	4129	
TGS 26.400	09.2007 -	294	400	10518	3664	3664
TGS 26.400	10.2007 -	294	400	10518	4091	
TGS 26.400	10.2007 -	294	400	10518	4129	
TGS 26.400	10.2007 -	294	400	10518	3664	3664
TGS 26.420	09.2016 -	309	420	12419	4091	
TGS 26.420	09.2016 -	309	420	12419	4091	4091
TGS 26.430	01.2019 -	316	430	12419	4091	4091
TGS 26.430	06.2010 -	316	430	10518	4091	4091
TGS 26.430	10.2007 -	316	430	10518	4091	
TGS 26.430	10.2007 -	316	430	10518	4129	
TGS 26.440	02.2009 -	324	440	10518	4091	
TGS 26.440	02.2009 -	324	440	10518	4129	
TGS 26.440	02.2009 -	324	440	10518	3664	3664
TGS 26.440	02.2009 -	324	440	12419	4091	
TGS 26.440	02.2009 -	324	440	12419	4129	
TGS 26.440	02.2009 -	324	441	10518	4091	
TGS 26.440	02.2009 -	324	441	12419	4091	
TGS 26.440	02.2009 -	324	441	12419	4129	
TGS 26.440	04.2007 -	324	440	12419	4091	4091
TGS 26.440	04.2007 -	324	441	10518	4091	4091
TGS 26.440	05.2008 -	324	440	10518	4091	
TGS 26.440	05.2008 -	324	440	10518	4129	
TGS 26.440	05.2008 -	324	440	10518	3664	3664
TGS 26.440	05.2008 -	324	440	12419	4091	
TGS 26.440	05.2008 -	324	440	12419	4129	
TGS 26.440	06.2006 -	324	441	10518	4091	4091
TGS 26.440	06.2006 -	324	441	12419	4091	4091
TGS 26.440	07.2006 -	324	441	10518	4091	4091
TGS 26.440	07.2008 -	324	440	10518	4091	
TGS 26.440	07.2008 -	324	440	10518	4129	
TGS 26.440	07.2008 -	324	440	10518	3664	3664
TGS 26.440	07.2008 -	324	440	12419	4091	
TGS 26.440	07.2008 -	324	440	12419	4129	
TGS 26.440	08.2012 -	324	441	12419	4091	4091
TGS 26.440	10.2007 -	324	440	10518	4091	
TGS 26.440	10.2007 -	324	440	10518	4129	
TGS 26.440	10.2007 -	324	440	10518	3664	3664
TGS 26.440	10.2007 -	324	440	12419	4091	
TGS 26.440	10.2007 -	324	440	12419	4129	
TGS 26.440	10.2007 -	324	441	10518	4091	
TGS 26.440	10.2007 -	324	441	12419	4091	
TGS 26.440	10.2007 -	324	441	12419	4129	
TGS 26.440	11.2007 -	324	440	10518	4091	
TGS 26.440	11.2007 -	324	440	10518	4129	
TGS 26.440	11.2007 -	324	440	10518	3664	3664
TGS 26.460	09.2016 -	338	460	12419	4091	
TGS 26.460	09.2016 -	338	460	12419	4091	4091
TGS 26.470	01.2019 -	346	470	12419	4091	4091
TGS 26.480	02.2009 -	353	480	12419	4091	
TGS 26.480	02.2009 -	353	480	12419	4129	
TGS 26.480	02.2009 -	353	480	12419	3664	3664
TGS 26.480	04.2007 -	353	480	12419	4091	4091
TGS 26.480	05.2008 -	353	480	12419	4091	
TGS 26.480	05.2008 -	353	480	12419	4129	
TGS 26.480	05.2008 -	353	480	12419	3664	3664
TGS 26.480	06.2006 -	353	480	12419	4091	4091

**MAKE & MODEL****YEAR****KW****PS****CC****MAN**

TGS 26.480	07.2006 -	353	480	12419	4091	4091
TGS 26.480	07.2008 -	353	480	12419	4091	
TGS 26.480	07.2008 -	353	480	12419	4129	
TGS 26.480	07.2008 -	353	480	12419	3664	3664
TGS 26.480	10.2007 -	353	480	12419	4091	
TGS 26.480	10.2007 -	353	480	12419	4129	
TGS 26.480	10.2007 -	353	480	12419	3664	3664
TGS 26.500	09.2016 -	368	500	12419	4091	
TGS 26.500	09.2016 -	368	500	12419	4091	4091
TGS 26.510	01.2019 -	375	510	12419	4091	4091
TGS 26.540	02.2009 -	397	540	12419	4091	
TGS 26.540	02.2009 -	397	540	12419	4129	
TGS 26.540	02.2009 -	397	540	12419	3664	3664
TGS 26.540	04.2007 -	397	540	12419	4091	4091
TGS 26.540	05.2008 -	397	540	12419	4091	
TGS 26.540	05.2008 -	397	540	12419	4129	
TGS 26.540	05.2008 -	397	540	12419	3664	3664
TGS 26.540	06.2006 -	397	540	12419	4091	4091
TGS 26.540	07.2006 -	397	540	12419	4091	4091
TGS 26.540	10.2007 -	397	540	12419	4091	
TGS 26.540	10.2007 -	397	540	12419	4129	
TGS 26.540	10.2007 -	397	540	12419	3664	3664
TGS 26.540	11.2007 -	397	540	12419	4091	
TGS 26.540	11.2007 -	397	540	12419	4129	
TGS 26.540	11.2007 -	397	540	12419	3664	3664
TGS 28.320	01.2008 -	235	320	10518	4091	4091
TGS 28.320	06.2007 -	235	320	10518	4091	4091
TGS 28.320	07.2007 -	235	320	10518	4091	4091
TGS 28.320	07.2008 -	235	320	10518	4091	
TGS 28.320	07.2008 -	235	320	10518	4129	
TGS 28.320	07.2008 -	235	320	10518	3664	3664
TGS 28.330	01.2019 -	243	330	9037	4091	4091
TGS 28.350	08.2008 -	257	350	10518	4091	
TGS 28.350	08.2008 -	257	350	10518	4129	
TGS 28.360	01.2019 -	265	360	9037	4091	4091
TGS 28.360	06.2007 -	265	360	10518	4091	4091
TGS 28.360	07.2007 -	265	360	10518	4091	4091
TGS 28.360	08.2008 -	265	360	10518	4091	
TGS 28.360	08.2008 -	265	360	10518	4129	
TGS 28.360	08.2008 -	265	360	10518	3664	3664
TGS 28.390	06.2008 -	287	390	10518	4091	
TGS 28.390	06.2008 -	287	390	10518	4129	
TGS 28.400	01.2019 -	294	400	9037	4091	4091
TGS 28.400	06.2007 -	294	400	10518	4091	4091
TGS 28.400	07.2007 -	294	400	10518	4091	4091
TGS 28.400	08.2008 -	294	400	10518	4091	
TGS 28.400	08.2008 -	294	400	10518	4129	
TGS 28.400	08.2008 -	294	400	10518	3664	3664
TGS 28.400	08.2012 -	294	400	12419	4091	4091
TGS 28.420	09.2016 -	309	420	12419	4091	
TGS 28.430	01.2019 -	316	430	12419	4091	4091
TGS 28.430	08.2008 -	316	430	10518	4091	
TGS 28.430	08.2008 -	316	430	10518	4129	
TGS 28.440	06.2007 -	324	441	10518	4091	4091
TGS 28.440	06.2007 -	324	441	12419	4091	4091
TGS 28.440	07.2007 -	324	441	10518	4091	4091
TGS 28.440	08.2008 -	324	440	10518	4091	
TGS 28.440	08.2008 -	324	440	10518	4129	
TGS 28.440	08.2008 -	324	440	10518	3664	3664
TGS 28.440	08.2008 -	324	440	12419	4091	
TGS 28.440	08.2008 -	324	440	12419	4129	
TGS 28.440	08.2008 -	324	441	10518	4091	
TGS 28.440	08.2008 -	324	441	12419	4091	
TGS 28.440	08.2008 -	324	441	12419	4129	
TGS 28.440	08.2012 -	324	441	12419	4091	4091
TGS 28.460	09.2016 -	338	460	12419	4091	
TGS 28.470	01.2019 -	346	470	12419	4091	4091



**MAKE & MODEL****YEAR****KW****PS****CC****MAN**

TGS 28.480	06.2007 -	353	480	12419	4091	4091
TGS 28.480	07.2007 -	353	480	12419	4091	4091
TGS 28.480	08.2008 -	353	480	12419	4091	
TGS 28.480	08.2008 -	353	480	12419	4129	
TGS 28.480	08.2008 -	353	480	12419	3664	3664
TGS 28.500	09.2016 -	368	500	12419	4091	
TGS 28.510	01.2019 -	375	510	12419	4091	4091
TGS 28.540	01.2008 -	397	540	12419	4091	4091
TGS 28.540	02.2009 -	397	540	12419	4091	
TGS 28.540	02.2009 -	397	540	12419	4129	
TGS 28.540	02.2009 -	397	540	12419	3664	3664
TGS 28.540	06.2007 -	397	540	12419	4091	4091
TGS 28.540	06.2008 -	397	540	12419	4091	
TGS 28.540	06.2008 -	397	540	12419	4129	
TGS 28.540	06.2008 -	397	540	12419	3664	3664
TGS 28.540	07.2007 -	397	540	12419	4091	4091
TGS 32.320	02.2009 -	235	320	10518	4091	
TGS 32.320	02.2009 -	235	320	10518	4129	
TGS 32.320	02.2009 -	235	320	10518	3664	3664
TGS 32.320	08.2006 -	235	320	10518	4091	4091
TGS 32.320	08.2008 -	235	320	10518	4091	
TGS 32.320	08.2008 -	235	320	10518	4129	
TGS 32.330	01.2019 -	243	330	9037	4091	4091
TGS 32.350	08.2008 -	257	350	10518	4091	
TGS 32.350	08.2008 -	257	350	10518	4129	
TGS 32.360	01.2019 -	265	360	9037	4091	4091
TGS 32.360	08.2006 -	265	360	10518	4091	4091
TGS 32.360	08.2008 -	265	360	10518	4091	
TGS 32.360	08.2008 -	265	360	10518	4129	
TGS 32.360	08.2008 -	265	360	10518	3664	3664
TGS 32.360	10.2007 -	265	360	10518	4091	
TGS 32.360	10.2007 -	265	360	10518	4129	
TGS 32.360	10.2007 -	265	360	10518	3664	3664
TGS 32.390	06.2008 -	287	390	10518	4091	
TGS 32.390	06.2008 -	287	390	10518	4129	
TGS 32.400	01.2019 -	294	400	9037	4091	4091
TGS 32.400	08.2006 -	294	400	10518	4091	4091
TGS 32.400	08.2008 -	294	400	10518	4091	
TGS 32.400	08.2008 -	294	400	10518	4129	
TGS 32.400	08.2008 -	294	400	10518	3664	3664
TGS 32.400	08.2012 -	294	400	12419	4091	4091
TGS 32.400	10.2007 -	294	400	10518	4091	
TGS 32.400	10.2007 -	294	400	10518	4129	
TGS 32.400	10.2007 -	294	400	10518	3664	3664
TGS 32.420	09.2016 -	309	420	12419	4091	
TGS 32.420	09.2016 -	309	420	12419	4091	4091
TGS 32.430	01.2019 -	316	430	12419	4091	4091
TGS 32.440	08.2006 -	324	441	10518	4091	4091
TGS 32.440	08.2006 -	324	441	12419	4091	4091
TGS 32.440	08.2008 -	324	440	10518	4091	
TGS 32.440	08.2008 -	324	440	10518	4129	
TGS 32.440	08.2008 -	324	440	10518	3664	3664
TGS 32.440	08.2008 -	324	441	12419	4091	
TGS 32.440	08.2008 -	324	441	12419	4129	
TGS 32.440	08.2012 -	324	441	12419	4091	4091
TGS 32.440	10.2007 -	324	441	10518	4091	
TGS 32.440	10.2007 -	324	441	10518	4129	
TGS 32.440	10.2007 -	324	441	10518	3664	3664
TGS 32.460	09.2016 -	338	460	12419	4091	
TGS 32.460	09.2016 -	338	460	12419	4091	4091
TGS 32.470	01.2019 -	346	470	12419	4091	4091
TGS 32.480	08.2006 -	353	480	12419	4091	4091
TGS 32.480	08.2008 -	353	480	12419	4091	
TGS 32.480	08.2008 -	353	480	12419	4129	
TGS 32.480	08.2008 -	353	480	12419	3664	3664
TGS 32.500	09.2016 -	368	500	12419	4091	
TGS 32.500	09.2016 -	368	500	12419	4091	4091

**MAKE & MODEL****YEAR****KW****PS****CC****MAN**

TGS 32.510	01.2019 -	375	510	12419	4091	4091
TGS 32.540	08.2007 -	397	540	12419	4091	4091
TGS 33.320	05.2009 -	235	320	10518	4091	
TGS 33.320	06.2006 -	235	320	10518	4091	4091
TGS 33.320	06.2008 -	235	320	10518	4091	
TGS 33.320	06.2008 -	235	320	10518	4129	
TGS 33.320	07.2006 -	235	320	10518	4091	4091
TGS 33.330	01.2019 -	243	330	9037	4091	4091
TGS 33.350	06.2008 -	257	350	10518	4091	
TGS 33.350	06.2008 -	257	350	10518	4129	
TGS 33.360	01.2019 -	265	360	9037	4091	4091
TGS 33.360	02.2009 -	265	360	10518	4091	
TGS 33.360	02.2009 -	265	360	10518	4129	
TGS 33.360	02.2009 -	265	360	10518	3664	3664
TGS 33.360	06.2006 -	265	360	10518	4091	4091
TGS 33.360	06.2008 -	265	360	10518	4091	
TGS 33.360	06.2008 -	265	360	10518	4129	
TGS 33.360	06.2008 -	265	360	10518	3664	3664
TGS 33.360	07.2006 -	265	360	10518	4091	4091
TGS 33.360	10.2007 -	265	360	10518	4091	
TGS 33.360	10.2007 -	265	360	10518	4129	
TGS 33.360	10.2007 -	265	360	10518	3664	3664
TGS 33.390	06.2008 -	287	390	10518	4091	
TGS 33.390	06.2008 -	287	390	10518	4129	
TGS 33.400	01.2019 -	294	400	9037	4091	4091
TGS 33.400	06.2006 -	294	400	10518	4091	4091
TGS 33.400	06.2008 -	294	400	10518	4091	
TGS 33.400	06.2008 -	294	400	10518	4129	
TGS 33.400	06.2008 -	294	400	10518	3664	3664
TGS 33.400	07.2006 -	294	400	10518	4091	4091
TGS 33.400	07.2008 -	294	400	10518	4091	
TGS 33.400	07.2008 -	294	400	10518	4129	
TGS 33.400	07.2008 -	294	400	10518	3664	3664
TGS 33.400	08.2012 -	294	400	12419	4091	4091
TGS 33.420	09.2016 -	309	420	12419	4091	
TGS 33.430	01.2019 -	316	430	12419	4091	4091
TGS 33.430	06.2008 -	316	430	10518	4091	
TGS 33.430	06.2008 -	316	430	10518	4129	
TGS 33.430	07.2008 -	316	430	10518	4091	
TGS 33.430	07.2008 -	316	430	10518	4129	
TGS 33.440	06.2006 -	324	441	10518	4091	4091
TGS 33.440	06.2008 -	324	440	10518	4091	
TGS 33.440	06.2008 -	324	440	10518	4129	
TGS 33.440	06.2008 -	324	440	10518	3664	3664
TGS 33.440	06.2008 -	324	441	10518	4091	
TGS 33.440	06.2008 -	324	441	10518	4129	
TGS 33.440	07.2006 -	324	441	10518	4091	4091
TGS 33.440	07.2008 -	324	440	10518	4091	
TGS 33.440	07.2008 -	324	440	10518	4129	
TGS 33.440	07.2008 -	324	440	10518	3664	3664
TGS 33.440	07.2008 -	324	440	12419	4091	
TGS 33.440	07.2008 -	324	440	12419	4129	
TGS 33.440	07.2008 -	324	441	12419	4091	
TGS 33.440	07.2008 -	324	441	12419	4129	
TGS 33.440	08.2008 -	324	441	12419	4091	
TGS 33.440	08.2008 -	324	441	12419	4129	
TGS 33.440	08.2012 -	324	441	12419	4091	4091
TGS 33.440	10.2007 -	324	440	10518	4091	
TGS 33.440	10.2007 -	324	440	10518	4129	
TGS 33.440	10.2007 -	324	440	10518	3664	3664
TGS 33.440	10.2007 -	324	440	12419	4091	
TGS 33.440	10.2007 -	324	440	12419	4129	
TGS 33.440	10.2007 -	324	441	12419	4091	
TGS 33.440	10.2007 -	324	441	12419	4129	
TGS 33.440	11.2007 -	324	440	10518	4091	
TGS 33.440	11.2007 -	324	440	10518	4129	
TGS 33.440	11.2007 -	324	440	10518	3664	3664

**MAKE & MODEL****YEAR****KW****PS****CC****MAN**

TGS 33.460	09.2016 -	338	460	12419	4091	
TGS 33.470	01.2019 -	346	470	12419	4091	4091
TGS 33.480	06.2006 -	353	480	12419	4091	4091
TGS 33.480	07.2006 -	353	480	12419	4091	4091
TGS 33.480	08.2008 -	353	480	12419	4091	
TGS 33.480	08.2008 -	353	480	12419	4129	
TGS 33.480	08.2008 -	353	480	12419	3664	3664
TGS 33.480	10.2007 -	353	480	12419	4091	
TGS 33.480	10.2007 -	353	480	12419	4129	
TGS 33.480	10.2007 -	353	480	12419	3664	3664
TGS 33.500	09.2016 -	368	500	12419	4091	
TGS 33.510	01.2019 -	375	510	12419	4091	4091
TGS 33.540	02.2009 -	397	540	12419	4091	
TGS 33.540	02.2009 -	397	540	12419	4129	
TGS 33.540	02.2009 -	397	540	12419	3664	3664
TGS 33.540	05.2009 -	397	540	12419	4091	4091
TGS 33.540	06.2006 -	397	540	12419	4091	4091
TGS 33.540	07.2006 -	397	540	12419	4091	4091
TGS 35.320	01.2009 -	235	320	10518	4091	
TGS 35.320	01.2009 -	235	320	10518	4129	
TGS 35.320	01.2009 -	235	320	10518	3664	3664
TGS 35.320	04.2007 -	235	320	10518	4091	4091
TGS 35.320	06.2006 -	235	320	10518	4091	4091
TGS 35.320	06.2007 -	235	320	10518	4091	4091
TGS 35.320	06.2008 -	235	320	10518	4091	
TGS 35.320	06.2008 -	235	320	10518	4129	
TGS 35.320	06.2008 -	235	320	10518	3664	3664
TGS 35.320	08.2008 -	235	320	10518	4091	
TGS 35.320	08.2008 -	235	320	10518	4129	
TGS 35.320	08.2008 -	235	320	10518	3664	3664
TGS 35.320	09.2016 -	235	320	10518	4091	
TGS 35.320	10.2007 -	235	320	10518	4091	
TGS 35.320	10.2007 -	235	320	10518	4129	
TGS 35.320	10.2007 -	235	320	10518	3664	3664
TGS 35.330	01.2019 -	243	330	9037	4091	4091
TGS 35.350	06.2008 -	257	350	10518	4091	
TGS 35.350	06.2008 -	257	350	10518	4129	
TGS 35.360	01.2019 -	265	360	9037	4091	4091
TGS 35.360	04.2007 -	265	360	10518	4091	4091
TGS 35.360	06.2006 -	265	360	10518	4091	4091
TGS 35.360	06.2007 -	265	360	10518	4091	4091
TGS 35.360	06.2008 -	265	360	10518	4091	
TGS 35.360	06.2008 -	265	360	10518	4129	
TGS 35.360	06.2008 -	265	360	10518	3664	3664
TGS 35.360	08.2008 -	265	360	10518	4091	
TGS 35.360	08.2008 -	265	360	10518	4129	
TGS 35.360	08.2008 -	265	360	10518	3664	3664
TGS 35.360	09.2016 -	265	360	10518	4091	
TGS 35.360	10.2007 -	265	360	10518	4091	
TGS 35.360	10.2007 -	265	360	10518	4129	
TGS 35.360	10.2007 -	265	360	10518	3664	3664
TGS 35.390	06.2008 -	287	390	10518	4091	
TGS 35.390	06.2008 -	287	390	10518	4129	
TGS 35.400	01.2019 -	294	400	9037	4091	4091
TGS 35.400	04.2007 -	294	400	10518	4091	4091
TGS 35.400	06.2006 -	294	400	10518	4091	4091
TGS 35.400	06.2007 -	294	400	10518	4091	4091
TGS 35.400	06.2008 -	294	400	10518	4091	
TGS 35.400	06.2008 -	294	400	10518	4129	
TGS 35.400	06.2008 -	294	400	10518	3664	3664
TGS 35.400	08.2008 -	294	400	10518	4091	
TGS 35.400	08.2008 -	294	400	10518	4129	
TGS 35.400	08.2008 -	294	400	10518	3664	3664
TGS 35.400	08.2012 -	294	400	12419	4091	4091
TGS 35.400	10.2007 -	294	400	10518	4091	
TGS 35.400	10.2007 -	294	400	10518	4129	
TGS 35.400	10.2007 -	294	400	10518	3664	3664

**MAKE & MODEL****YEAR****KW****PS****CC****MAN**

TGS 35.420	09.2016 -	309	420	12419	4091	
TGS 35.430	01.2019 -	316	430	12419	4091	4091
TGS 35.430	06.2008 -	316	430	10518	4091	
TGS 35.430	06.2008 -	316	430	10518	4129	
TGS 35.440	04.2007 -	324	441	10518	4091	4091
TGS 35.440	04.2007 -	324	441	12419	4091	4091
TGS 35.440	06.2006 -	324	441	10518	4091	4091
TGS 35.440	06.2006 -	324	441	12419	4091	4091
TGS 35.440	06.2007 -	324	441	10518	4091	4091
TGS 35.440	06.2008 -	324	440	10518	4091	
TGS 35.440	06.2008 -	324	440	10518	4129	
TGS 35.440	06.2008 -	324	440	10518	3664	3664
TGS 35.440	06.2008 -	324	441	12419	4091	
TGS 35.440	06.2008 -	324	441	12419	4129	
TGS 35.440	08.2008 -	324	440	10518	4091	
TGS 35.440	08.2008 -	324	440	10518	4129	
TGS 35.440	08.2008 -	324	440	10518	3664	3664
TGS 35.440	08.2008 -	324	441	12419	4091	
TGS 35.440	08.2008 -	324	441	12419	4129	
TGS 35.440	08.2012 -	324	441	12419	4091	4091
TGS 35.440	10.2007 -	324	440	10518	4091	
TGS 35.440	10.2007 -	324	440	10518	4129	
TGS 35.440	10.2007 -	324	440	10518	3664	3664
TGS 35.460	09.2016 -	338	460	12419	4091	
TGS 35.470	01.2019 -	346	470	12419	4091	4091
TGS 35.480	04.2007 -	353	480	12419	4091	4091
TGS 35.480	06.2006 -	353	480	12419	4091	4091
TGS 35.480	06.2007 -	353	480	12419	4091	4091
TGS 35.480	06.2008 -	353	480	12419	4091	
TGS 35.480	06.2008 -	353	480	12419	4129	
TGS 35.480	06.2008 -	353	480	12419	3664	3664
TGS 35.480	08.2008 -	353	480	12419	4091	
TGS 35.480	08.2008 -	353	480	12419	4129	
TGS 35.480	08.2008 -	353	480	12419	3664	3664
TGS 35.480	10.2007 -	353	480	12419	4091	
TGS 35.480	10.2007 -	353	480	12419	4129	
TGS 35.480	10.2007 -	353	480	12419	3664	3664
TGS 35.500	09.2016 -	368	500	12419	4091	
TGS 35.510	01.2019 -	375	510	12419	4091	4091
TGS 35.540	02.2009 -	397	540	12419	4091	
TGS 35.540	02.2009 -	397	540	12419	4129	
TGS 35.540	02.2009 -	397	540	12419	3664	3664
TGS 35.540	04.2007 -	397	540	12419	4091	4091
TGS 35.540	06.2008 -	397	540	12419	4091	
TGS 35.540	06.2008 -	397	540	12419	4129	
TGS 35.540	06.2008 -	397	540	12419	3664	3664
TGS 35.540	07.2007 -	397	540	12419	4091	4091
TGS 35.540	10.2007 -	397	540	12419	4091	
TGS 35.540	10.2007 -	397	540	12419	4129	
TGS 35.540	10.2007 -	397	540	12419	3664	3664
TGS 37.320	06.2006 -	235	320	10518	4091	4091
TGS 37.320	07.2008 -	235	320	10518	4091	
TGS 37.320	07.2008 -	235	320	10518	4129	
TGS 37.320	07.2008 -	235	320	10518	3664	3664
TGS 37.320	10.2007 -	235	320	10518	4091	
TGS 37.320	10.2007 -	235	320	10518	4129	
TGS 37.320	10.2007 -	235	320	10518	3664	3664
TGS 37.320	10.2007 -	235	320	10518	4091	
TGS 37.320	10.2007 -	235	320	10518	4129	
TGS 37.320	10.2007 -	235	320	10518	3664	3664
TGS 37.330	01.2019 -	243	330	9037	4091	4091
TGS 37.360	01.2019 -	265	360	9037	4091	4091
TGS 37.360	06.2006 -	265	360	10518	4091	4091
TGS 37.360	07.2008 -	265	360	10518	4091	
TGS 37.360	07.2008 -	265	360	10518	4129	
TGS 37.360	07.2008 -	265	360	10518	3664	3664
TGS 37.360	10.2007 -	265	360	10518	4091	
TGS 37.360	10.2007 -	265	360	10518	4129	
TGS 37.360	10.2007 -	265	360	10518	3664	3664
TGS 37.400	01.2019 -	294	400	9037	4091	4091

**MAKE & MODEL****YEAR****KW****PS****CC****MAN**

TGS 37.400	06.2006 -	294	400	10518	4091	4091
TGS 37.400	07.2008 -	294	400	10518	4091	
TGS 37.400	07.2008 -	294	400	10518	4129	
TGS 37.400	07.2008 -	294	400	10518	3664	3664
TGS 37.400	08.2012 -	294	400	12419	4091	4091
TGS 37.400	10.2007 -	294	400	10518	4091	
TGS 37.400	10.2007 -	294	400	10518	4129	
TGS 37.400	10.2007 -	294	400	10518	3664	3664
TGS 37.420	09.2016 -	309	420	12419	4091	
TGS 37.430	01.2019 -	316	430	12419	4091	4091
TGS 37.440	06.2006 -	324	441	10518	4091	4091
TGS 37.440	07.2008 -	324	440	10518	4091	
TGS 37.440	07.2008 -	324	440	10518	4129	
TGS 37.440	07.2008 -	324	440	10518	3664	3664
TGS 37.440	07.2008 -	324	441	12419	4091	
TGS 37.440	07.2008 -	324	441	12419	4129	
TGS 37.440	08.2012 -	324	441	12419	4091	4091
TGS 37.440	10.2007 -	324	440	10518	4091	
TGS 37.440	10.2007 -	324	440	10518	4129	
TGS 37.440	10.2007 -	324	440	10518	3664	3664
TGS 37.460	09.2016 -	338	460	12419	4091	
TGS 37.470	01.2019 -	346	470	12419	4091	4091
TGS 37.480	06.2006 -	353	480	12419	4091	4091
TGS 37.480	07.2008 -	353	480	12419	4091	
TGS 37.480	07.2008 -	353	480	12419	4129	
TGS 37.480	07.2008 -	353	480	12419	3664	3664
TGS 37.480	10.2007 -	353	480	12419	4091	
TGS 37.480	10.2007 -	353	480	12419	4129	
TGS 37.480	10.2007 -	353	480	12419	3664	3664
TGS 37.500	09.2016 -	368	500	12419	4091	
TGS 37.510	01.2019 -	375	510	12419	4091	4091
TGS 37.540	02.2009 -	397	540	12419	4091	
TGS 37.540	02.2009 -	397	540	12419	4129	
TGS 37.540	02.2009 -	397	540	12419	3664	3664
TGS 37.540	06.2006 -	397	540	12419	4091	4091
TGS 37.540	10.2007 -	397	540	12419	4091	
TGS 37.540	10.2007 -	397	540	12419	4129	
TGS 37.540	10.2007 -	397	540	12419	3664	3664
TGS 40.320	05.2009 -	235	320	10518	4091	
TGS 40.360	06.2008 -	265	360	10518	4091	
TGS 40.360	06.2008 -	265	360	10518	4129	
TGS 40.360	10.2007 -	265	360	10518	4091	
TGS 40.360	10.2007 -	265	360	10518	4129	
TGS 40.390	06.2008 -	287	390	10518	4091	
TGS 40.390	06.2008 -	287	390	10518	4129	
TGS 40.390	10.2007 -	287	390	10518	4091	
TGS 40.390	10.2007 -	287	390	10518	4129	
TGS 40.400	02.2011 -	294	400	10518	4091	
TGS 40.400	02.2011 -	294	400	10518	4129	
TGS 40.400	02.2011 -	294	400	10518	3664	3664
TGS 40.400	06.2008 -	294	400	10518	4091	
TGS 40.400	06.2008 -	294	400	10518	4129	
TGS 40.430	06.2008 -	316	430	10518	4091	
TGS 40.430	06.2008 -	316	430	10518	4129	
TGS 40.440	02.2011 -	324	441	10518	4091	
TGS 40.440	02.2011 -	324	441	10518	4129	
TGS 40.440	02.2011 -	324	441	10518	3664	3664
TGS 40.440	02.2011 -	324	441	12419	4091	
TGS 40.440	02.2011 -	324	441	12419	4129	
TGS 40.440	02.2011 -	324	441	12419	3664	3664
TGS 40.440	06.2008 -	324	441	10518	4091	
TGS 40.440	06.2008 -	324	441	10518	4129	
TGS 40.440	06.2008 -	324	441	12419	4091	
TGS 40.440	06.2008 -	324	441	12419	4129	
TGS 40.480	06.2008 -	353	480	12419	4091	
TGS 40.480	06.2008 -	353	480	12419	4129	
TGS 41.320	06.2006 -	235	320	10518	4091	4091

**MAKE & MODEL****YEAR****KW****PS****CC****MAN**

TGS 41.320	06.2008 -	235	320	10518	4091	
TGS 41.320	06.2008 -	235	320	10518	4129	
TGS 41.320	06.2008 -	235	320	10518	3664	3664
TGS 41.330	01.2019 -	243	330	9037	4091	4091
TGS 41.350	06.2008 -	257	350	10518	4091	
TGS 41.350	06.2008 -	257	350	10518	4129	
TGS 41.360	01.2019 -	265	360	9037	4091	4091
TGS 41.360	06.2006 -	265	360	10518	4091	4091
TGS 41.360	06.2009 -	265	360	10518	4091	4091
TGS 41.360	07.2008 -	265	360	10518	4091	
TGS 41.360	07.2008 -	265	360	10518	4129	
TGS 41.360	07.2008 -	265	360	10518	3664	3664
TGS 41.360	10.2007 -	265	360	10518	4091	
TGS 41.360	10.2007 -	265	360	10518	4129	
TGS 41.360	10.2007 -	265	360	10518	3664	3664
TGS 41.390	06.2008 -	287	390	10518	4091	
TGS 41.390	06.2008 -	287	390	10518	4129	
TGS 41.400	01.2019 -	294	400	9037	4091	4091
TGS 41.400	06.2006 -	294	400	10518	4091	4091
TGS 41.400	06.2009 -	294	400	10518	4091	4091
TGS 41.400	07.2008 -	294	400	10518	4091	
TGS 41.400	07.2008 -	294	400	10518	4129	
TGS 41.400	07.2008 -	294	400	10518	3664	3664
TGS 41.400	08.2012 -	294	400	12419	4091	4091
TGS 41.400	10.2007 -	294	400	10518	4091	
TGS 41.400	10.2007 -	294	400	10518	4129	
TGS 41.400	10.2007 -	294	400	10518	3664	3664
TGS 41.420	09.2016 -	309	420	12419	4091	
TGS 41.430	01.2019 -	316	430	12419	4091	4091
TGS 41.430	07.2008 -	316	430	10518	4091	
TGS 41.430	07.2008 -	316	430	10518	4129	
TGS 41.430	10.2007 -	316	430	10518	4091	
TGS 41.430	10.2007 -	316	430	10518	4129	
TGS 41.440	06.2006 -	324	441	10518	4091	4091
TGS 41.440	06.2008 -	324	440	10518	4091	
TGS 41.440	06.2008 -	324	440	10518	4129	
TGS 41.440	06.2008 -	324	440	10518	3664	3664
TGS 41.440	06.2008 -	324	440	12419	4091	
TGS 41.440	06.2008 -	324	440	12419	4129	
TGS 41.440	06.2009 -	324	441	10518	4091	4091
TGS 41.440	07.2008 -	324	440	10518	4091	
TGS 41.440	07.2008 -	324	440	10518	4129	
TGS 41.440	07.2008 -	324	440	10518	3664	3664
TGS 41.440	08.2012 -	324	441	12419	4091	4091
TGS 41.440	10.2007 -	324	441	10518	4091	
TGS 41.440	10.2007 -	324	441	10518	4129	
TGS 41.440	10.2007 -	324	441	10518	3664	3664
TGS 41.460	09.2016 -	338	460	12419	4091	
TGS 41.470	01.2019 -	346	470	12419	4091	4091
TGS 41.480	06.2006 -	353	480	12419	4091	4091
TGS 41.480	06.2008 -	353	480	12419	4091	
TGS 41.480	06.2008 -	353	480	12419	4129	
TGS 41.480	06.2008 -	353	480	12419	3664	3664
TGS 41.480	06.2009 -	353	480	12419	4091	4091
TGS 41.480	07.2008 -	353	480	12419	4091	
TGS 41.480	07.2008 -	353	480	12419	4129	
TGS 41.480	07.2008 -	353	480	12419	3664	3664
TGS 41.480	10.2007 -	353	480	12419	4091	
TGS 41.480	10.2007 -	353	480	12419	4129	
TGS 41.480	10.2007 -	353	480	12419	3664	3664
TGS 41.500	09.2016 -	368	500	12419	4091	
TGS 41.510	01.2019 -	375	510	12419	4091	4091
TGS 41.540	02.2009 -	397	540	12419	4091	
TGS 41.540	02.2009 -	397	540	12419	4129	
TGS 41.540	02.2009 -	397	540	12419	3664	3664
TGS 41.540	06.2006 -	397	540	12419	4091	4091
TGS 41.540	10.2007 -	397	540	12419	4091	



**MAKE & MODEL****YEAR****KW****PS****CC****MAN**

TGS 41.540	10.2007 -	397	540	12419	4129	
TGS 41.540	10.2007 -	397	540	12419	3664	3664
TGX 18.330	01.2019 -	243	330	9037	4091	4091
TGX 18.360	01.2019 -	265	360	9037	4091	4091
TGX 18.360	06.2006 -	265	360	10518	4091	4091
TGX 18.360	10.2007 -	265	360	10518	4091	
TGX 18.360	10.2007 -	265	360	10518	4129	
TGX 18.360	10.2007 -	265	360	10518	3664	3664
TGX 18.400	01.2019 -	294	400	9037	4091	4091
TGX 18.400	06.2006 -	294	400	10518	4091	4091
TGX 18.400	08.2012 -	294	400	12419	4091	4091
TGX 18.400	08.2012 -	294	400	12419	4129	4129
TGX 18.400	10.2007 -	294	400	10518	4091	
TGX 18.400	10.2007 -	294	400	10518	4129	
TGX 18.400	10.2007 -	294	400	10518	3664	3664
TGX 18.420	09.2016 -	309	420	12419	4091	
TGX 18.430	01.2019 -	316	430	12419	4091	4091
TGX 18.440	06.2006 -	324	441	10518	4091	4091
TGX 18.440	06.2006 -	324	441	12419	4091	4091
TGX 18.440	08.2012 -	324	441	12419	4091	4091
TGX 18.440	10.2007 -	324	440	10518	4091	
TGX 18.440	10.2007 -	324	440	10518	4129	
TGX 18.440	10.2007 -	324	440	10518	3664	3664
TGX 18.440	10.2007 -	324	440	12419	4091	
TGX 18.440	10.2007 -	324	440	12419	4129	
TGX 18.440	10.2007 -	324	440	12419	3664	3664
TGX 18.440	10.2012 -	324	440	12419	4091	
TGX 18.440	10.2012 -	324	440	12419	4129	
TGX 18.460	09.2016 -	338	460	12419	4091	
TGX 18.470	01.2019 -	346	470	12419	4091	4091
TGX 18.480	06.2006 -	353	480	12419	4091	4091
TGX 18.480	10.2007 -	353	480	12419	4091	
TGX 18.480	10.2007 -	353	480	12419	4129	
TGX 18.480	10.2007 -	353	480	12419	3664	3664
TGX 18.500	09.2016 -	368	500	12419	4091	
TGX 18.510	01.2019 -	375	510	12419	4091	4091
TGX 18.520	01.2014 -	383	521	15256	4091	4091
TGX 18.520	09.2014 -	383	520	15256	4091	
TGX 18.540	06.2006 -	397	540	12419	4091	4091
TGX 18.540	09.2016 -	397	540	15256	4091	
TGX 18.540	10.2007 -	397	540	12419	4091	
TGX 18.540	10.2007 -	397	540	12419	4129	
TGX 18.540	10.2007 -	397	540	12419	3664	3664
TGX 18.560	01.2014 -	412	560	15256	4091	4091
TGX 18.560	09.2014 -	412	560	15256	4091	
TGX 18.580	09.2016 -	427	581	15256	4091	
TGX 18.640	09.2016 -	471	640	15256	4091	
TGX 18.680	10.2007 -	500	680	16160	4091	
TGX 18.680	10.2007 -	500	680	16160	4129	
TGX 18.680	10.2007 -	500	680	16160	3664	3664
TGX 24.330	01.2019 -	243	330	9037	4091	4091
TGX 24.360	01.2019 -	265	360	9037	4091	4091
TGX 24.360	04.2007 -	265	360	10518	4091	4091
TGX 24.360	10.2007 -	265	360	10518	4091	
TGX 24.360	10.2007 -	265	360	10518	4129	
TGX 24.360	10.2007 -	265	360	10518	3664	3664
TGX 24.400	01.2019 -	294	400	9037	4091	4091
TGX 24.400	04.2007 -	294	400	10518	4091	4091
TGX 24.400	08.2012 -	294	400	12419	4091	4091
TGX 24.400	08.2012 -	294	400	12419	4129	4129
TGX 24.400	10.2007 -	294	400	10518	4091	
TGX 24.400	10.2007 -	294	400	10518	4129	
TGX 24.400	10.2007 -	294	400	10518	3664	3664
TGX 24.420	09.2016 -	309	420	12419	4091	
TGX 24.420	09.2016 -	309	420	12419	4091	4091
TGX 24.430	01.2019 -	316	430	12419	4091	4091
TGX 24.440	04.2007 -	324	441	10518	4091	4091

**MAKE & MODEL****YEAR****KW****PS****CC****MAN**

TGX 24.440	04.2007 -	324	441	12419	4091	4091
TGX 24.440	08.2012 -	324	441	12419	4091	4091
TGX 24.440	10.2007 -	324	440	10518	4091	
TGX 24.440	10.2007 -	324	440	10518	4129	
TGX 24.440	10.2007 -	324	440	10518	3664	3664
TGX 24.440	10.2007 -	324	440	12419	4091	
TGX 24.440	10.2007 -	324	440	12419	4129	
TGX 24.440	10.2007 -	324	440	12419	3664	3664
TGX 24.440	10.2012 -	324	440	12419	4091	
TGX 24.440	10.2012 -	324	440	12419	4129	
TGX 24.460	09.2016 -	338	460	12419	4091	
TGX 24.460	09.2016 -	338	460	12419	4091	4091
TGX 24.470	01.2019 -	346	470	12419	4091	4091
TGX 24.480	04.2007 -	353	480	12419	4091	4091
TGX 24.480	10.2007 -	353	480	12419	4091	
TGX 24.480	10.2007 -	353	480	12419	4129	
TGX 24.480	10.2007 -	353	480	12419	3664	3664
TGX 24.500	09.2016 -	368	500	12419	4091	
TGX 24.500	09.2016 -	368	500	12419	4091	4091
TGX 24.510	01.2019 -	375	510	12419	4091	4091
TGX 24.520	01.2014 -	383	521	15256	4091	4091
TGX 24.540	02.2009 -	397	540	12419	4091	
TGX 24.540	02.2009 -	397	540	12419	4129	
TGX 24.540	02.2009 -	397	540	12419	3664	3664
TGX 24.540	04.2007 -	397	540	12419	4091	4091
TGX 24.540	10.2007 -	397	540	12419	4091	
TGX 24.540	10.2007 -	397	540	12419	4129	
TGX 24.540	10.2007 -	397	540	12419	3664	3664
TGX 24.560	01.2014 -	412	560	15256	4091	4091
TGX 26.320	06.2006 -	235	320	10518	4091	4091
TGX 26.320	10.2007 -	235	320	10518	4091	
TGX 26.320	10.2007 -	235	320	10518	4129	
TGX 26.320	10.2007 -	235	320	10518	4091	4091
TGX 26.320	10.2007 -	235	320	10518	4129	4129
TGX 26.320	10.2007 -	235	320	10518	3664	3664
TGX 26.330	01.2019 -	243	330	9037	4091	4091
TGX 26.360	01.2019 -	265	360	9037	4091	4091
TGX 26.360	05.2008 -	265	360	10518	4091	
TGX 26.360	05.2008 -	265	360	10518	4129	
TGX 26.360	05.2008 -	265	360	10518	3664	3664
TGX 26.360	06.2006 -	265	360	10518	4091	4091
TGX 26.360	07.2008 -	265	360	10518	4091	
TGX 26.360	07.2008 -	265	360	10518	4129	
TGX 26.360	07.2008 -	265	360	10518	3664	3664
TGX 26.360	09.2016 -	265	360	10518	4091	
TGX 26.360	10.2007 -	265	360	10518	4091	
TGX 26.360	10.2007 -	265	360	10518	4129	
TGX 26.360	10.2007 -	265	360	10518	3664	3664
TGX 26.400	01.2019 -	294	400	9037	4091	4091
TGX 26.400	05.2008 -	294	400	10518	4091	
TGX 26.400	05.2008 -	294	400	10518	4129	
TGX 26.400	05.2008 -	294	400	10518	3664	3664
TGX 26.400	06.2006 -	294	400	10518	4091	
TGX 26.400	06.2006 -	294	400	10518	4129	
TGX 26.400	06.2006 -	294	400	10518	4091	4091
TGX 26.400	06.2006 -	294	400	10518	3664	3664
TGX 26.400	07.2008 -	294	400	10518	4091	
TGX 26.400	07.2008 -	294	400	10518	4129	
TGX 26.400	07.2008 -	294	400	10518	3664	3664
TGX 26.400	08.2012 -	294	400	12419	4091	4091
TGX 26.400	10.2007 -	294	400	10518	4091	
TGX 26.400	10.2007 -	294	400	10518	4129	
TGX 26.400	10.2007 -	294	400	10518	3664	3664
TGX 26.420	09.2016 -	309	420	12419	4091	
TGX 26.430	01.2019 -	316	430	12419	4091	4091
TGX 26.440	01.2014 -	324	440	12419	4091	
TGX 26.440	01.2014 -	324	440	12419	4129	

**MAKE & MODEL****YEAR****KW****PS****CC****MAN**

TGX 26.440	05.2008 -	324	440	10518	4091	
TGX 26.440	05.2008 -	324	440	10518	4129	
TGX 26.440	05.2008 -	324	440	10518	3664	3664
TGX 26.440	06.2006 -	324	441	10518	4091	4091
TGX 26.440	06.2006 -	324	441	12419	4091	4091
TGX 26.440	07.2008 -	324	440	10518	4091	
TGX 26.440	07.2008 -	324	440	10518	4129	
TGX 26.440	07.2008 -	324	440	10518	3664	3664
TGX 26.440	07.2008 -	324	440	12419	4091	
TGX 26.440	07.2008 -	324	440	12419	4129	
TGX 26.440	07.2008 -	324	440	12419	3664	3664
TGX 26.440	08.2007 -	324	441	12419	4091	4091
TGX 26.440	08.2012 -	324	441	12419	4091	4091
TGX 26.440	09.2007 -	324	440	10518	4091	
TGX 26.440	09.2007 -	324	440	10518	4129	
TGX 26.440	09.2007 -	324	440	10518	3664	3664
TGX 26.440	10.2007 -	324	440	10518	4091	
TGX 26.440	10.2007 -	324	440	10518	4129	
TGX 26.440	10.2007 -	324	440	10518	3664	3664
TGX 26.440	10.2012 -	324	440	12419	4091	
TGX 26.440	10.2012 -	324	440	12419	4129	
TGX 26.440	12.2007 -	324	440	10518	4091	
TGX 26.440	12.2007 -	324	440	10518	4129	
TGX 26.440	12.2007 -	324	440	10518	3664	3664
TGX 26.460	09.2016 -	338	460	12419	4091	
TGX 26.470	01.2019 -	346	470	12419	4091	4091
TGX 26.480	05.2008 -	353	480	12419	4091	
TGX 26.480	05.2008 -	353	480	12419	4129	
TGX 26.480	05.2008 -	353	480	12419	3664	3664
TGX 26.480	06.2006 -	353	480	12419	4091	4091
TGX 26.480	07.2008 -	353	480	12419	4091	
TGX 26.480	07.2008 -	353	480	12419	4129	
TGX 26.480	07.2008 -	353	480	12419	3664	3664
TGX 26.480	09.2007 -	353	480	12419	4091	
TGX 26.480	09.2007 -	353	480	12419	4129	
TGX 26.480	09.2007 -	353	480	12419	3664	3664
TGX 26.480	10.2007 -	353	480	12419	4091	
TGX 26.480	10.2007 -	353	480	12419	4129	
TGX 26.480	10.2007 -	353	480	12419	3664	3664
TGX 26.480	12.2007 -	353	480	12419	4091	
TGX 26.480	12.2007 -	353	480	12419	4129	
TGX 26.480	12.2007 -	353	480	12419	3664	3664
TGX 26.500	09.2016 -	368	500	12419	4091	
TGX 26.510	01.2019 -	375	510	12419	4091	4091
TGX 26.520	01.2014 -	383	521	15256	4091	4091
TGX 26.540	02.2009 -	397	540	12419	4091	
TGX 26.540	02.2009 -	397	540	12419	4129	
TGX 26.540	02.2009 -	397	540	12419	3664	3664
TGX 26.540	06.2006 -	397	540	12419	4091	4091
TGX 26.540	09.2016 -	397	540	15256	4091	
TGX 26.540	10.2007 -	397	540	12419	4091	
TGX 26.540	10.2007 -	397	540	12419	4129	
TGX 26.540	10.2007 -	397	540	12419	3664	3664
TGX 26.540	10.2012 -	397	540	12419	4091	
TGX 26.540	10.2012 -	397	540	12419	4129	
TGX 26.560	01.2014 -	412	560	15256	4091	4091
TGX 26.580	09.2016 -	427	581	15256	4091	
TGX 26.640	09.2016 -	471	640	15256	4091	
TGX 27.440	10.2012 -	324	440	12419	4091	
TGX 27.440	10.2012 -	324	440	12419	4129	
TGX 27.480	04.2011 -	353	480	12419	4091	4091
TGX 28.330	01.2019 -	243	330	9037	4091	4091
TGX 28.360	01.2019 -	265	360	9037	4091	4091
TGX 28.360	04.2007 -	265	360	10518	4091	4091
TGX 28.360	10.2007 -	265	360	10518	4091	
TGX 28.360	10.2007 -	265	360	10518	4129	
TGX 28.360	10.2007 -	265	360	10518	3664	3664

**MAKE & MODEL****YEAR****KW****PS****CC****MAN**

TGX 28.400	01.2019 -	294	400	9037	4091	4091
TGX 28.400	04.2007 -	294	400	10518	4091	4091
TGX 28.400	08.2012 -	294	400	12419	4091	4091
TGX 28.400	08.2012 -	294	400	12419	4129	4129
TGX 28.400	10.2007 -	294	400	10518	4091	
TGX 28.400	10.2007 -	294	400	10518	4129	
TGX 28.400	10.2007 -	294	400	10518	3664	3664
TGX 28.420	09.2016 -	309	420	12419	4091	
TGX 28.430	01.2019 -	316	430	12419	4091	4091
TGX 28.440	04.2007 -	324	441	10518	4091	4091
TGX 28.440	08.2012 -	324	441	12419	4091	4091
TGX 28.440	10.2007 -	324	440	10518	4091	
TGX 28.440	10.2007 -	324	440	10518	4129	
TGX 28.440	10.2007 -	324	440	10518	3664	3664
TGX 28.440	10.2012 -	324	440	12419	4091	
TGX 28.440	10.2012 -	324	440	12419	4129	
TGX 28.460	09.2016 -	338	460	12419	4091	
TGX 28.470	01.2019 -	346	470	12419	4091	4091
TGX 28.480	04.2007 -	353	480	12419	4091	4091
TGX 28.480	10.2007 -	353	480	12419	4091	
TGX 28.480	10.2007 -	353	480	12419	4129	
TGX 28.480	10.2007 -	353	480	12419	3664	3664
TGX 28.500	09.2016 -	368	500	12419	4091	
TGX 28.510	01.2019 -	375	510	12419	4091	4091
TGX 28.520	01.2014 -	383	521	15256	4091	4091
TGX 28.540	02.2009 -	397	540	12419	4091	
TGX 28.540	02.2009 -	397	540	12419	4129	
TGX 28.540	02.2009 -	397	540	12419	3664	3664
TGX 28.540	04.2007 -	397	540	12419	4091	4091
TGX 28.540	09.2016 -	397	540	15256	4091	
TGX 28.540	10.2007 -	397	540	12419	4091	
TGX 28.540	10.2007 -	397	540	12419	4129	
TGX 28.540	10.2007 -	397	540	12419	3664	3664
TGX 28.560	01.2014 -	412	560	15256	4091	4091
TGX 28.580	09.2016 -	427	581	15256	4091	
TGX 29.440	01.2009 -	324	440	12419	4091	
TGX 29.440	01.2009 -	324	440	12419	4129	
TGX 32.440	10.2007 -	265	360	10518	4091	
TGX 32.440	10.2007 -	265	360	10518	4129	
TGX 33.330	01.2019 -	243	330	9037	4091	4091
TGX 33.360	01.2019 -	265	360	9037	4091	4091
TGX 33.360	06.2006 -	265	360	10518	4091	4091
TGX 33.360	10.2007 -	265	360	10518	4091	
TGX 33.360	10.2007 -	265	360	10518	4129	
TGX 33.360	10.2007 -	265	360	10518	3664	3664
TGX 33.400	01.2019 -	294	400	9037	4091	4091
TGX 33.400	06.2006 -	294	400	10518	4091	4091
TGX 33.400	08.2012 -	294	400	12419	4091	4091
TGX 33.400	10.2007 -	294	400	10518	4091	
TGX 33.400	10.2007 -	294	400	10518	4129	
TGX 33.400	10.2007 -	294	400	10518	3664	3664
TGX 33.420	09.2016 -	309	420	12419	4091	
TGX 33.430	01.2019 -	316	430	12419	4091	4091
TGX 33.440	01.2014 -	324	440	12419	4091	
TGX 33.440	01.2014 -	324	440	12419	4129	
TGX 33.440	06.2006 -	324	441	10518	4091	4091
TGX 33.440	08.2012 -	324	441	12419	4091	4091
TGX 33.440	09.2009 -	324	440	12419	4091	
TGX 33.440	09.2009 -	324	440	12419	4129	
TGX 33.440	10.2007 -	324	440	10518	4091	
TGX 33.440	10.2007 -	324	440	10518	4129	
TGX 33.440	10.2007 -	324	440	10518	3664	3664
TGX 33.440	10.2012 -	324	440	12419	4091	
TGX 33.440	10.2012 -	324	440	12419	4129	
TGX 33.460	09.2016 -	338	460	12419	4091	
TGX 33.470	01.2019 -	346	470	12419	4091	4091
TGX 33.480	01.2014 -	353	480	12419	4091	

**MAKE & MODEL****YEAR****KW****PS****CC****MAN**

TGX 33.480	01.2014 -	353	480	12419	4129	
TGX 33.480	06.2006 -	353	480	12419	4091	4091
TGX 33.480	10.2007 -	353	480	12419	4091	
TGX 33.480	10.2007 -	353	480	12419	4129	
TGX 33.480	10.2007 -	353	480	12419	3664	3664
TGX 33.500	09.2016 -	368	500	12419	4091	
TGX 33.510	01.2019 -	375	510	12419	4091	4091
TGX 33.520	01.2014 -	383	521	15256	4091	4091
TGX 33.540	06.2006 -	397	540	12419	4091	4091
TGX 33.540	09.2016 -	397	540	15256	4091	
TGX 33.540	10.2007 -	397	540	12419	4091	
TGX 33.540	10.2007 -	397	540	12419	4129	
TGX 33.540	10.2007 -	397	540	12419	3664	3664
TGX 33.560	01.2014 -	412	560	15256	4091	4091
TGX 33.580	09.2016 -	427	581	15256	4091	
TGX 33.640	09.2016 -	471	640	15256	4091	
TGX 33.680	03.2007 - 01.2016	500	680	16160	4091	4091
TGX 33.680	10.2007 -	500	680	16160	4091	
TGX 33.680	10.2007 -	500	680	16160	4129	
TGX 33.680	10.2007 -	500	680	16160	3664	3664
TGX 35.330	01.2019 -	243	330	9037	4091	4091
TGX 35.360	01.2019 -	265	360	9037	4091	4091
TGX 35.360	06.2008 -	265	360	10518	4091	
TGX 35.360	06.2008 -	265	360	10518	4129	
TGX 35.360	06.2008 -	265	360	10518	3664	3664
TGX 35.360	07.2007 -	265	360	10518	4091	4091
TGX 35.400	01.2019 -	294	400	9037	4091	4091
TGX 35.400	06.2008 -	294	400	10518	4091	
TGX 35.400	06.2008 -	294	400	10518	4129	
TGX 35.400	06.2008 -	294	400	10518	3664	3664
TGX 35.400	07.2007 -	294	400	10518	4091	4091
TGX 35.400	08.2012 -	294	400	12419	4091	4091
TGX 35.420	09.2016 -	309	420	12419	4091	
TGX 35.430	01.2019 -	316	430	12419	4091	4091
TGX 35.440	06.2008 -	324	440	10518	4091	
TGX 35.440	06.2008 -	324	440	10518	4129	
TGX 35.440	06.2008 -	324	440	10518	3664	3664
TGX 35.440	06.2008 -	324	440	12419	4091	
TGX 35.440	06.2008 -	324	440	12419	4129	
TGX 35.440	07.2007 -	324	441	10518	4091	4091
TGX 35.440	08.2012 -	324	441	12419	4091	4091
TGX 35.460	09.2016 -	338	460	12419	4091	
TGX 35.470	01.2019 -	346	470	12419	4091	4091
TGX 35.480	06.2008 -	353	480	12419	4091	
TGX 35.480	06.2008 -	353	480	12419	4129	
TGX 35.480	06.2008 -	353	480	12419	3664	3664
TGX 35.480	07.2007 -	353	480	12419	4091	4091
TGX 35.500	09.2016 -	368	500	12419	4091	
TGX 35.510	01.2019 -	375	510	12419	4091	4091
TGX 35.520	01.2014 -	383	521	15256	4091	4091
TGX 35.540	06.2008 -	397	540	12419	4091	
TGX 35.540	06.2008 -	397	540	12419	4129	
TGX 35.540	06.2008 -	397	540	12419	3664	3664
TGX 35.540	07.2007 -	397	540	12419	4091	4091
TGX 35.540	09.2016 -	397	540	15256	4091	
TGX 35.560	01.2014 -	412	560	15256	4091	4091
TGX 35.580	09.2016 -	427	581	15256	4091	
TGX 35.640	09.2016 -	471	640	15256	4091	
TGX 41.540	06.2008 -	397	540	12419	4091	
TGX 41.540	06.2008 -	397	540	12419	4129	
TGX 41.540	06.2008 -	397	540	12419	3664	3664
TGX 41.560	01.2014 -	412	560	15256	4091	4091
TGX 41.580	09.2016 -	427	581	15256	4091	
TGX 41.640	09.2014 -	471	640	15256	4091	
TGX 41.680	10.2007 -	500	680	16160	4091	
TGX 41.680	10.2007 -	500	680	16160	4129	
TGX 41.680	10.2007 -	500	680	16160	3664	3664

**MAKE & MODEL****YEAR****KW****PS****CC****MAN**

ÜL ÜL 312,ÜL 322	04.1992 - 09.1996	228	310	9973	3498	
ÜL ÜL 312,ÜL 322	04.1992 - 09.1996	228	310	9973	3498	3498
ÜL ÜL 313	09.1996 -	228	310	11967	3498	
ÜL ÜL 313	09.1996 -	228	310	11967	3498	3498
ÜL ÜL 313	09.1996 -	228	310	11967	3828	3828
ÜL ÜL 353	06.1997 -	257	350	11967	3498	
ÜL ÜL 353	06.1997 -	257	350	11967	3498	3498
ÜL ÜL 353	06.1997 -	257	350	11967	3828	3828

**MERCEDES-BENZ**

ACCELO 1016	01.2012 -	115	156	4801	3908	3908
ACCELO 710	05.2003 -	80	109	3972	4091	
ACCELO 815	01.2012 -	110	150	4801	3908	3908
ACCELO 914 C	10.1998 -	100	136	4249	3908	3908
ACTROS 1831 AK	04.1997 - 10.2002	230	313	11946	4091	
ACTROS 1831 AK	04.1997 - 10.2002	230	313	11946	3664	3664
ACTROS 1831 K	04.1997 - 10.2002	230	313	11946	4091	
ACTROS 1831 K	04.1997 - 10.2002	230	313	11946	3664	3664
ACTROS 1831 S, 1831 LS	04.1996 - 10.2002	230	313	11946	4091	
ACTROS 1831 S, 1831 LS	04.1996 - 10.2002	230	313	11946	3664	3664
ACTROS 1831, 1831 L	04.1996 - 10.2002	230	313	11946	4091	
ACTROS 1831, 1831 L	04.1996 - 10.2002	230	313	11946	3664	3664
ACTROS 1835 AK	04.1997 - 10.2002	260	354	11946	4091	4091
ACTROS 1835 AK	04.1997 - 10.2002	260	354	11946	3664	3664
ACTROS 1835 K	04.1997 - 10.2002	260	354	11946	4091	
ACTROS 1835 K	04.1997 - 10.2002	260	354	11946	3664	3664
ACTROS 1835 S, 1835 LS	04.1996 - 10.2002	260	354	11946	4091	
ACTROS 1835 S, 1835 LS	04.1996 - 10.2002	260	354	11946	3664	3664
ACTROS 1835, 1835 L	04.1996 - 10.2002	260	354	11946	4091	
ACTROS 1835, 1835 L	04.1996 - 10.2002	260	354	11946	3664	3664
ACTROS 1840 AK	04.1997 - 10.2002	290	394	11946	4091	
ACTROS 1840 AK	04.1997 - 10.2002	290	394	11946	3664	3664
ACTROS 1840 K	04.1997 - 10.2002	290	394	11946	4091	
ACTROS 1840 K	04.1997 - 10.2002	290	394	11946	3664	3664
ACTROS 1840 S, 1840 LS	04.1996 - 10.2002	290	394	11946	4091	
ACTROS 1840 S, 1840 LS	04.1996 - 10.2002	290	394	11946	3664	3664
ACTROS 1840, 1840 L	04.1996 - 10.2002	290	394	11946	4091	
ACTROS 1840, 1840 L	04.1996 - 10.2002	290	394	11946	3664	3664
ACTROS 1843 AK	04.1997 - 10.2002	315	428	11946	4091	
ACTROS 1843 AK	04.1997 - 10.2002	315	428	11946	3664	3664
ACTROS 1843 K	04.1997 - 10.2002	315	428	11946	4091	
ACTROS 1843 K	04.1997 - 10.2002	315	428	11946	3664	3664
ACTROS 1843 S, 1843 LS	04.1996 - 10.2002	315	428	11946	4091	
ACTROS 1843 S, 1843 LS	04.1996 - 10.2002	315	428	11946	3664	3664
ACTROS 1843, 1843 L	04.1996 - 10.2002	315	428	11946	4091	
ACTROS 1843, 1843 L	04.1996 - 10.2002	315	428	11946	3664	3664
ACTROS 1846 AK	04.1997 - 10.2003	335	456	11946	4091	4091
ACTROS 1846 S, 1846 LS	10.1998 - 10.2002	335	456	11946	4091	
ACTROS 1846 S, 1846 LS	10.1998 - 10.2002	335	456	11946	3664	3664
ACTROS 1848 AK	04.1997 - 10.2002	350	476	15928	4091	
ACTROS 1848 AK	04.1997 - 10.2002	350	476	15928	3664	3664
ACTROS 1848 K	04.1997 - 10.2002	350	476	15928	4091	
ACTROS 1848 K	04.1997 - 10.2002	350	476	15928	3664	3664
ACTROS 1848 S, 1848 LS	04.1996 - 10.2002	350	476	15928	4091	
ACTROS 1848 S, 1848 LS	04.1996 - 10.2002	350	476	15928	3664	3664
ACTROS 1848, 1848 L	04.1996 - 10.2002	350	476	15928	4091	
ACTROS 1848, 1848 L	04.1996 - 10.2002	350	476	15928	3664	3664
ACTROS 1850 AK	10.1997 - 10.2003	370	503	15928	4091	4091
ACTROS 1853 S, 1853 LS	04.1996 - 10.2002	390	530	15928	4091	
ACTROS 1853 S, 1853 LS	04.1996 - 10.2002	390	530	15928	3664	3664
ACTROS 1853, 1853 L	04.1996 - 10.2002	390	530	15928	4091	
ACTROS 1853, 1853 L	04.1996 - 10.2002	390	530	15928	3664	3664
ACTROS 1857 L	04.1997 - 10.2002	420	571	15928	4091	
ACTROS 1857 L	04.1997 - 10.2002	420	571	15928	3664	3664
ACTROS 1857 LS	04.1997 - 10.2002	420	571	15928	4091	
ACTROS 1857 LS	04.1997 - 10.2002	420	571	15928	3664	3664
ACTROS 2031	04.1997 - 10.2002	230	313	11946	4091	
ACTROS 2031	04.1997 - 10.2002	230	313	11946	3664	3664



**MAKE & MODEL****YEAR****KW****PS****CC****MERCEDES-BENZ**

ACTROS 2031 A	04.1997 - 10.2002	230	313	11946	4091	
ACTROS 2031 A	04.1997 - 10.2002	230	313	11946	3664	3664
ACTROS 2031 AK	09.1996 - 10.2002	230	313	11946	4091	
ACTROS 2031 AK	09.1996 - 10.2002	230	313	11946	3664	3664
ACTROS 2031 AS	04.1996 - 10.2002	230	313	11946	4091	
ACTROS 2031 AS	04.1996 - 10.2002	230	313	11946	3664	3664
ACTROS 2031 K	04.1997 - 10.2002	230	313	11946	4091	
ACTROS 2031 K	04.1997 - 10.2002	230	313	11946	3664	3664
ACTROS 2031 S	04.1996 - 10.2002	230	313	11946	4091	
ACTROS 2031 S	04.1996 - 10.2002	230	313	11946	3664	3664
ACTROS 2035 A	04.1997 - 10.2002	260	354	11946	4091	
ACTROS 2035 A	04.1997 - 10.2002	260	354	11946	3664	3664
ACTROS 2035 S	04.1996 - 10.2002	260	354	11946	4091	
ACTROS 2035 S	04.1996 - 10.2002	260	354	11946	3664	3664
ACTROS 2040	09.1996 - 10.2002	290	394	11946	4091	
ACTROS 2040	09.1996 - 10.2002	290	394	11946	3664	3664
ACTROS 2040 AK	09.1996 - 10.2002	290	394	11946	4091	
ACTROS 2040 AK	09.1996 - 10.2002	290	394	11946	3664	3664
ACTROS 2040 AS	04.1996 - 10.2002	290	394	11946	4091	
ACTROS 2040 AS	04.1996 - 10.2002	290	394	11946	3664	3664
ACTROS 2040 S	04.1996 - 10.2002	290	394	11946	4091	
ACTROS 2040 S	04.1996 - 10.2002	290	394	11946	3664	3664
ACTROS 2043 AS	04.1996 - 10.2002	315	428	11946	4091	
ACTROS 2046 AS	10.1996 - 10.2002	335	456	11946	4091	4091
ACTROS 2048 AS	04.1996 - 10.2002	350	476	15928	4091	
ACTROS 2050 AS	10.1996 - 10.2003	370	503	15928	4091	4091
ACTROS 2053 S	04.1996 - 10.2002	390	530	15928	4091	
ACTROS 2053 S	04.1996 - 10.2002	390	530	15928	3664	3664
ACTROS 2531 LS	09.1996 - 10.2002	230	313	11946	4091	
ACTROS 2531 LS	09.1996 - 10.2002	230	313	11946	3664	3664
ACTROS 2531, 2531 L	09.1996 - 10.2002	230	313	11946	4091	
ACTROS 2531, 2531 L	09.1996 - 10.2002	230	313	11946	3664	3664
ACTROS 2535 L	09.1996 - 10.2002	260	354	11946	4091	
ACTROS 2535 L	09.1996 - 10.2002	260	354	11946	3664	3664
ACTROS 2535 LS	09.1996 - 10.2002	260	354	11946	4091	
ACTROS 2535 LS	09.1996 - 10.2002	260	354	11946	3664	3664
ACTROS 2540 LS	09.1996 - 10.2002	290	394	11946	4091	
ACTROS 2540 LS	09.1996 - 10.2002	290	394	11946	3664	3664
ACTROS 2540, 2540 L	09.1996 - 10.2002	290	394	11946	4091	
ACTROS 2540, 2540 L	09.1996 - 10.2002	290	394	11946	3664	3664
ACTROS 2543 LS	09.1996 - 10.2002	315	428	11946	4091	
ACTROS 2543 LS	09.1996 - 10.2002	315	428	11946	3664	3664
ACTROS 2543, 2543 L	09.1996 - 10.2002	315	428	11946	4091	
ACTROS 2543, 2543 L	09.1996 - 10.2002	315	428	11946	3664	3664
ACTROS 2546 LS	10.1997 - 10.2002	335	456	11946	4091	
ACTROS 2546 LS	10.1997 - 10.2002	335	456	11946	3664	3664
ACTROS 2548 LS	09.1996 - 10.2002	350	476	15928	4091	
ACTROS 2548 LS	09.1996 - 10.2002	350	476	15928	3664	3664
ACTROS 2548, 2548 L	09.1996 - 10.2002	350	476	15928	4091	
ACTROS 2548, 2548 L	09.1996 - 10.2002	350	476	15928	3664	3664
ACTROS 2553 LS	09.1996 - 10.2002	390	530	15928	4091	
ACTROS 2553 LS	09.1996 - 10.2002	390	530	15928	3664	3664
ACTROS 2553, 2553 L	09.1996 - 10.2002	390	530	15928	4091	
ACTROS 2553, 2553 L	09.1996 - 10.2002	390	530	15928	3664	3664
ACTROS 2557 L	09.1996 - 10.2002	420	571	15928	4091	
ACTROS 2557 L	09.1996 - 10.2002	420	571	15928	3664	3664
ACTROS 2631 B	04.1997 - 10.2002	230	313	11946	4091	
ACTROS 2631 B	04.1997 - 10.2002	230	313	11946	3664	3664
ACTROS 2631 K	04.1997 - 10.2002	230	313	11946	4091	
ACTROS 2631 K	04.1997 - 10.2002	230	313	11946	3664	3664
ACTROS 2631, 2631 L	04.1996 - 10.2002	230	313	11946	4091	
ACTROS 2631, 2631 L	04.1996 - 10.2002	230	313	11946	3664	3664
ACTROS 2635 B	04.1997 - 10.2002	260	354	11946	4091	
ACTROS 2635 B	04.1997 - 10.2002	260	354	11946	3664	3664
ACTROS 2635 K, 2635 LK	04.1997 - 10.2002	260	354	11946	4091	
ACTROS 2635 K, 2635 LK	04.1997 - 10.2002	260	354	11946	3664	3664
ACTROS 2635, 2635 L	04.1996 - 10.2002	260	354	11946	4091	

**MAKE & MODEL****YEAR****KW****PS****CC****MERCEDES-BENZ**

ACTROS 2635, 2635 L	04.1996 - 10.2002	260	354	11946	3664	3664
ACTROS 2640 B	04.1997 - 10.2002	290	394	11946	4091	
ACTROS 2640 B	04.1997 - 10.2002	290	394	11946	3664	3664
ACTROS 2640 K, 2640 LK	04.1997 - 10.2002	290	394	11946	4091	
ACTROS 2640 K, 2640 LK	04.1997 - 10.2002	290	394	11946	3664	3664
ACTROS 2640 S, 2640 LS	09.1996 - 10.2002	290	394	11946	4091	
ACTROS 2640 S, 2640 LS	09.1996 - 10.2002	290	394	11946	3664	3664
ACTROS 2640, 2640 L	04.1996 - 10.2002	290	394	11946	4091	
ACTROS 2640, 2640 L	04.1996 - 10.2002	290	394	11946	3664	3664
ACTROS 2643 B	04.1997 - 10.2002	315	428	11946	4091	
ACTROS 2643 B	04.1997 - 10.2002	315	428	11946	3664	3664
ACTROS 2643 K, 2643 LK	04.1997 - 10.2002	315	428	11946	4091	
ACTROS 2643 K, 2643 LK	04.1997 - 10.2002	315	428	11946	3664	3664
ACTROS 2643 S, 2643 LS	04.1997 - 10.2002	315	428	11946	4091	
ACTROS 2643 S, 2643 LS	04.1997 - 10.2002	315	428	11946	3664	3664
ACTROS 2643, 2643 L	04.1996 - 10.2002	315	428	11946	4091	
ACTROS 2643, 2643 L	04.1996 - 10.2002	315	428	11946	3664	3664
ACTROS 2646 B	10.1997 - 10.2002	335	456	11946	4091	
ACTROS 2646 B	10.1997 - 10.2002	335	456	11946	3664	3664
ACTROS 2646 S, 2646 LS	10.1997 - 10.2002	335	456	11946	4091	
ACTROS 2646 S, 2646 LS	10.1997 - 10.2002	335	456	11946	3664	3664
ACTROS 2648 K, 2648 LK	04.1997 - 10.2002	350	476	15928	4091	
ACTROS 2648 K, 2648 LK	04.1997 - 10.2002	350	476	15928	3664	3664
ACTROS 2648 K, 2648 LK	10.1997 - 10.2002	355	483	11946	4091	
ACTROS 2648 K, 2648 LK	10.1997 - 10.2002	355	483	11946	3664	3664
ACTROS 2648 S, 2648 LS	09.1996 - 10.2002	350	476	15928	4091	
ACTROS 2648 S, 2648 LS	09.1996 - 10.2002	350	476	15928	3664	3664
ACTROS 2648 S, 2648 LS	10.1997 - 10.2002	355	483	11946	4091	
ACTROS 2648 S, 2648 LS	10.1997 - 10.2002	355	483	11946	3664	3664
ACTROS 2648, 2648 L	04.1996 - 10.2002	350	476	15928	4091	
ACTROS 2648, 2648 L	04.1996 - 10.2002	350	476	15928	3664	3664
ACTROS 2650 S, 2650 LS	10.1997 - 10.2002	370	503	15928	4091	
ACTROS 2650 S, 2650 LS	10.1997 - 10.2002	370	503	15928	3664	3664
ACTROS 2653 K, 2653 LK	04.1997 - 10.2002	390	530	15928	4091	
ACTROS 2653 K, 2653 LK	04.1997 - 10.2002	390	530	15928	3664	3664
ACTROS 2653 S, 2653 LS	09.1996 - 10.2002	390	530	15928	4091	
ACTROS 2653 S, 2653 LS	09.1996 - 10.2002	390	530	15928	3664	3664
ACTROS 2653, 2653 L	04.1996 - 10.2002	390	530	15928	4091	
ACTROS 2653, 2653 L	04.1996 - 10.2002	390	530	15928	3664	3664
ACTROS 2657 K, 2657 LK	04.1997 - 10.2002	420	571	15928	4091	
ACTROS 2657 K, 2657 LK	04.1997 - 10.2002	420	571	15928	3664	3664
ACTROS 2657 L	04.1997 - 10.2002	420	571	15928	4091	
ACTROS 2657 L	04.1997 - 10.2002	420	571	15928	3664	3664
ACTROS 2657 S, 2657 LS	04.1997 - 10.2002	420	571	15928	4091	
ACTROS 2657 S, 2657 LS	04.1997 - 10.2002	420	571	15928	3664	3664
ACTROS 3231 B	04.1997 - 10.2002	230	313	11946	4091	
ACTROS 3231 K	04.1997 - 10.2002	230	313	11946	4091	
ACTROS 3231 K	04.1997 - 10.2002	230	313	11946	3664	3664
ACTROS 3235	04.1997 - 10.2002	260	354	11946	4091	
ACTROS 3235	04.1997 - 10.2002	260	354	11946	3664	3664
ACTROS 3235 B	04.1997 - 10.2002	260	354	11946	4091	
ACTROS 3235 B	04.1997 - 10.2002	260	354	11946	3664	3664
ACTROS 3235 K	04.1997 - 10.2002	260	354	11946	4091	
ACTROS 3235 K	04.1997 - 10.2002	260	354	11946	3664	3664
ACTROS 3240	04.1997 - 10.2002	290	394	11946	4091	
ACTROS 3240	04.1997 - 10.2002	290	394	11946	3664	3664
ACTROS 3240 B	04.1997 - 10.2002	290	394	11946	4091	
ACTROS 3240 B	04.1997 - 10.2002	290	394	11946	3664	3664
ACTROS 3240 K	04.1997 - 10.2002	290	394	11946	4091	
ACTROS 3240 K	04.1997 - 10.2002	290	394	11946	3664	3664
ACTROS 3243	04.1997 - 10.2002	315	428	11946	4091	
ACTROS 3243	04.1997 - 10.2002	315	428	11946	3664	3664
ACTROS 3243 B	04.1997 - 10.2002	315	428	11946	4091	
ACTROS 3243 B	04.1997 - 10.2002	315	428	11946	3664	3664
ACTROS 3243 K	04.1997 - 10.2002	315	428	11946	4091	
ACTROS 3243 K	04.1997 - 10.2002	315	428	11946	3664	3664
ACTROS 3246 B	10.1997 - 10.2002	335	456	11946	4091	

**MAKE & MODEL****YEAR****KW****PS****CC****MERCEDES-BENZ**

ACTROS 3246 B	10.1997 - 10.2002	335	456	11946	3664	3664
ACTROS 3246 K	10.1997 - 10.2002	335	456	11946	4091	
ACTROS 3246 K	10.1997 - 10.2002	335	456	11946	3664	3664
ACTROS 3331	04.1997 - 10.2002	230	313	11946	4091	
ACTROS 3331	04.1997 - 10.2002	230	313	11946	3664	3664
ACTROS 3331 A	04.1997 - 10.2002	230	313	11946	4091	
ACTROS 3331 A	04.1997 - 10.2002	230	313	11946	3664	3664
ACTROS 3331 AK	04.1997 - 10.2002	230	313	11946	4091	
ACTROS 3331 AK	04.1997 - 10.2002	230	313	11946	3664	3664
ACTROS 3331 AS	04.1997 - 10.2002	230	313	11946	4091	
ACTROS 3331 AS	04.1997 - 10.2002	230	313	11946	3664	3664
ACTROS 3331 B	04.1997 - 10.2002	230	313	11946	4091	
ACTROS 3331 B	04.1997 - 10.2002	230	313	11946	3664	3664
ACTROS 3331 K	04.1997 - 10.2002	230	313	11946	4091	
ACTROS 3331 K	04.1997 - 10.2002	230	313	11946	3664	3664
ACTROS 3331 S	04.1997 - 10.2002	230	313	11946	4091	
ACTROS 3331 S	04.1997 - 10.2002	230	313	11946	3664	3664
ACTROS 3335	04.1997 - 10.2002	260	354	11946	4091	
ACTROS 3335	04.1997 - 10.2002	260	354	11946	3664	3664
ACTROS 3335 AK	10.1997 - 10.2003	260	354	11946	4091	
ACTROS 3335 B	04.1997 - 10.2002	260	354	11946	4091	
ACTROS 3335 B	04.1997 - 10.2002	260	354	11946	3664	3664
ACTROS 3335 K	04.1997 - 10.2002	260	354	11946	4091	
ACTROS 3335 K	04.1997 - 10.2002	260	354	11946	3664	3664
ACTROS 3335 S	04.1997 - 10.2002	260	354	11946	4091	
ACTROS 3335 S	04.1997 - 10.2002	260	354	11946	3664	3664
ACTROS 3336 S	10.1997 - 10.2002	265	360	11946	4091	
ACTROS 3336 S	10.1997 - 10.2002	265	360	11946	3664	3664
ACTROS 3340	04.1997 - 10.2002	290	394	11946	4091	
ACTROS 3340	04.1997 - 10.2002	290	394	11946	3664	3664
ACTROS 3340 A	04.1997 - 10.2002	290	394	11946	4091	
ACTROS 3340 A	04.1997 - 10.2002	290	394	11946	3664	3664
ACTROS 3340 AK	04.1997 - 10.2002	290	394	11946	4091	
ACTROS 3340 AK	04.1997 - 10.2002	290	394	11946	3664	3664
ACTROS 3340 AS	04.1997 - 10.2002	290	394	11946	4091	
ACTROS 3340 AS	04.1997 - 10.2002	290	394	11946	3664	3664
ACTROS 3340 B	04.1997 - 10.2002	290	394	11946	4091	
ACTROS 3340 B	04.1997 - 10.2002	290	394	11946	3664	3664
ACTROS 3340 K	04.1997 - 10.2002	290	394	11946	4091	
ACTROS 3340 K	04.1997 - 10.2002	290	394	11946	3664	3664
ACTROS 3340 S	04.1997 - 10.2002	290	394	11946	4091	
ACTROS 3340 S	04.1997 - 10.2002	290	394	11946	3664	3664
ACTROS 3341 S	10.1997 - 10.2002	300	408	11946	4091	
ACTROS 3341 S	10.1997 - 10.2002	300	408	11946	3664	3664
ACTROS 3343	04.1997 - 10.2002	315	428	11946	4091	
ACTROS 3343	04.1997 - 10.2002	315	428	11946	3664	3664
ACTROS 3343 AK	04.1997 - 10.2002	315	428	11946	4091	
ACTROS 3343 AK	04.1997 - 10.2002	315	428	11946	3664	3664
ACTROS 3343 AS	04.1997 - 10.2002	315	428	11946	4091	
ACTROS 3343 AS	04.1997 - 10.2002	315	428	11946	3664	3664
ACTROS 3343 B	04.1997 - 10.2002	315	428	11946	4091	
ACTROS 3343 B	04.1997 - 10.2002	315	428	11946	3664	3664
ACTROS 3343 K	04.1997 - 10.2002	315	428	11946	4091	
ACTROS 3343 K	04.1997 - 10.2002	315	428	11946	3664	3664
ACTROS 3343 S	04.1997 - 10.2002	315	428	11946	4091	
ACTROS 3343 S	04.1997 - 10.2002	315	428	11946	3664	3664
ACTROS 3346	04.1997 - 10.2002	335	456	11946	4091	
ACTROS 3346	04.1997 - 10.2002	335	456	11946	3664	3664
ACTROS 3346 AK	10.1997 - 10.2002	335	456	11946	4091	4091
ACTROS 3346 AS	10.1997 - 10.2002	335	456	11946	4091	4091
ACTROS 3346 K	10.1997 -	335	456	11946	4091	
ACTROS 3346 K	10.1997 -	335	456	11946	3664	3664
ACTROS 3346 S	10.1997 - 10.2002	335	456	11946	4091	
ACTROS 3346 S	10.1997 - 10.2002	335	456	11946	3664	3664
ACTROS 3348	04.1997 - 10.2002	350	476	15928	4091	
ACTROS 3348	04.1997 - 10.2002	350	476	15928	3664	3664
ACTROS 3348 AK	04.1997 - 10.2002	350	476	15928	4091	

**MAKE & MODEL****YEAR****KW****PS****CC****MERCEDES-BENZ**

ACTROS 3348 AK	04.1997 - 10.2002	350	476	15928	3664	3664
ACTROS 3348 AS	04.1997 - 10.2002	350	476	15928	4091	
ACTROS 3348 AS	04.1997 - 10.2002	350	476	15928	3664	3664
ACTROS 3348 K	04.1997 - 10.2002	350	476	15928	4091	
ACTROS 3348 K	04.1997 - 10.2002	350	476	15928	3664	3664
ACTROS 3348 S	04.1997 - 10.2002	350	476	15928	4091	
ACTROS 3348 S	04.1997 - 10.2002	350	476	15928	3664	3664
ACTROS 3350 AK	10.1997 - 10.2003	370	503	15928	4091	4091
ACTROS 3350 AS	10.1997 - 10.2002	370	503	15928	4091	
ACTROS 3350 K	10.1997 - 10.2002	370	503	15928	4091	
ACTROS 3350 K	10.1997 - 10.2002	370	503	15928	3664	3664
ACTROS 3350 S	10.1997 - 10.2002	370	503	15928	4091	
ACTROS 3350 S	10.1997 - 10.2002	370	503	15928	3664	3664
ACTROS 3353	04.1997 - 10.2002	390	530	15928	4091	
ACTROS 3353	04.1997 - 10.2002	390	530	15928	3664	3664
ACTROS 3353 AS	04.1997 - 10.2002	390	530	15928	4091	
ACTROS 3353 AS	04.1997 - 10.2002	390	530	15928	3664	3664
ACTROS 3353 S	04.1997 - 10.2002	390	530	15928	4091	
ACTROS 3353 S	04.1997 - 10.2002	390	530	15928	3664	3664
ACTROS 3357	04.1997 - 10.2002	420	571	15928	4091	
ACTROS 3357	04.1997 - 10.2002	420	571	15928	3664	3664
ACTROS 3357 S	04.1997 - 10.2002	420	571	15928	4091	
ACTROS 3357 S	04.1997 - 10.2002	420	571	15928	3664	3664
ACTROS 4140 AK	04.1997 - 10.2002	290	394	11946	4091	
ACTROS 4140 B	04.1997 - 10.2002	290	394	11946	4091	
ACTROS 4140 B	04.1997 - 10.2002	290	394	11946	3664	3664
ACTROS 4140 K	04.1997 - 10.2002	290	394	11946		3664
ACTROS 4140 K	04.1997 - 10.2002	290	394	11946	4091	
ACTROS 4143 AK	04.1997 - 10.2002	315	428	11946	4091	
ACTROS 4143 K	04.1997 - 10.2002	315	428	11946		3664
ACTROS 4143 K	04.1997 - 10.2002	315	428	11946	4091	
ACTROS 4146 AK	10.1997 - 10.2002	335	456	11946	4091	4091
ACTROS 4146 K	10.1997 - 10.2002	335	456	11946		3664
ACTROS 4146 K	10.1997 - 10.2002	335	456	11946	4091	
ACTROS 4148 AK	04.1997 - 10.2002	350	476	15928	4091	
ACTROS 4148 K	04.1997 - 10.2002	350	476	15928		3664
ACTROS 4148 K	04.1997 - 10.2002	350	476	15928	4091	
ACTROS MP2 / MP3 1831 AK	04.2003 -	230	313	11946	4091	
ACTROS MP2 / MP3 1831 K	04.2003 -	230	313	11946	4091	
ACTROS MP2 / MP3 1831 K	04.2003 -	230	313	11946	3664	3664
ACTROS MP2 / MP3 1832 AK	04.2003 -	235	320	11946	4091	
ACTROS MP2 / MP3 1832 AK	04.2003 -	235	320	11946	3664	3664
ACTROS MP2 / MP3 1832 K	04.2003 -	235	320	11946	4091	
ACTROS MP2 / MP3 1832 K	04.2003 -	235	320	11946	3664	3664
ACTROS MP2 / MP3 1832, L, LL	04.2003 -	235	320	11946	4091	
ACTROS MP2 / MP3 1832, L, LL	04.2003 -	235	320	11946	3664	3664
ACTROS MP2 / MP3 1832, LS, LLS	04.2003 -	235	320	11946	4091	
ACTROS MP2 / MP3 1832, LS, LLS	04.2003 -	235	320	11946	3664	3664
ACTROS MP2 / MP3 1835 AK	04.2003 -	260	354	11946	4091	
ACTROS MP2 / MP3 1835 K	04.2003 -	260	354	11946	4091	
ACTROS MP2 / MP3 1835 K	04.2003 -	260	354	11946	3664	3664
ACTROS MP2 / MP3 1836 A	10.2002 -	265	360	11946	4091	4091
ACTROS MP2 / MP3 1836 AK	04.2003 -	265	360	11946	4091	
ACTROS MP2 / MP3 1836 AK	04.2003 -	265	360	11946	3664	3664
ACTROS MP2 / MP3 1836 K	04.2003 -	265	360	11946	4091	
ACTROS MP2 / MP3 1836 K	04.2003 -	265	360	11946	3664	3664
ACTROS MP2 / MP3 1836 LS, LLS	04.2003 -	265	360	11946	4091	
ACTROS MP2 / MP3 1836 LS, LLS	04.2003 -	265	360	11946	3664	3664
ACTROS MP2 / MP3 1836, L, LL	04.2003 -	265	360	11946	4091	
ACTROS MP2 / MP3 1836, L, LL	04.2003 -	265	360	11946	3664	3664
ACTROS MP2 / MP3 1840 AK	04.2003 -	290	394	11946	4091	
ACTROS MP2 / MP3 1840 K	04.2003 -	290	394	11946	4091	
ACTROS MP2 / MP3 1840 K	04.2003 -	290	394	11946	3664	3664
ACTROS MP2 / MP3 1841 AK	04.2003 -	300	408	11946	4091	
ACTROS MP2 / MP3 1841 K	04.2003 -	300	408	11946	4091	
ACTROS MP2 / MP3 1841 K	04.2003 -	300	408	11946	3664	3664
ACTROS MP2 / MP3 1841 LS, LLS	04.2003 -	300	408	11946	4091	

**MAKE & MODEL****YEAR****KW****PS****CC****MERCEDES-BENZ**

ACTROS MP2 / MP3 1841 LS, LLS	04.2003 -	300	408	11946	3664	3664
ACTROS MP2 / MP3 1841, L, LL	04.2003 -	300	408	11946	4091	
ACTROS MP2 / MP3 1841, L, LL	04.2003 -	300	408	11946	3664	3664
ACTROS MP2 / MP3 1844 AK	04.2003 -	315	428	11946	4091	
ACTROS MP2 / MP3 1844 AK	04.2003 -	315	428	11946	3664	3664
ACTROS MP2 / MP3 1844 K	04.2003 -	315	428	11946	4091	
ACTROS MP2 / MP3 1844 K	04.2003 -	315	428	11946	3664	3664
ACTROS MP2 / MP3 1844 LS, LLS	04.2003 -	320	435	11946	4091	
ACTROS MP2 / MP3 1844 LS, LLS	04.2003 -	320	435	11946	3664	3664
ACTROS MP2 / MP3 1844, L, LL	04.2003 -	320	435	11946	4091	
ACTROS MP2 / MP3 1844, L, LL	04.2003 -	320	435	11946	3664	3664
ACTROS MP2 / MP3 1846 AK	04.2003 -	335	456	11946	4091	
ACTROS MP2 / MP3 1846 AK	04.2003 -	335	456	11946	3664	3664
ACTROS MP2 / MP3 1846 K	04.2003 -	335	456	11946	4091	
ACTROS MP2 / MP3 1846 K	04.2003 -	335	456	11946	3664	3664
ACTROS MP2 / MP3 1846 LS, LLS	04.2003 -	335	456	11946	4091	
ACTROS MP2 / MP3 1846 LS, LLS	04.2003 -	335	456	11946	3664	3664
ACTROS MP2 / MP3 1846, L, LL	04.2003 -	335	456	11946	4091	
ACTROS MP2 / MP3 1846, L, LL	04.2003 -	335	456	11946	3664	3664
ACTROS MP2 / MP3 1848 AK	04.2003 -	350	476	11946	4091	
ACTROS MP2 / MP3 1848 AK	04.2003 -	350	476	15928	4091	
ACTROS MP2 / MP3 1848 K	04.2003 -	350	476	11946	4091	
ACTROS MP2 / MP3 1848 K	04.2003 -	350	476	11946	3664	3664
ACTROS MP2 / MP3 1848 K	04.2003 -	350	476	15928	4091	
ACTROS MP2 / MP3 1848 K	04.2003 -	350	476	15928	3664	3664
ACTROS MP2 / MP3 1848 S, LS	04.2003 -	350	476	15928	4091	
ACTROS MP2 / MP3 1848 S, LS	04.2003 -	350	476	15928	3664	3664
ACTROS MP2 / MP3 1848, L, LL	04.2003 -	350	476	11946	4091	
ACTROS MP2 / MP3 1848, L, LL	04.2003 -	350	476	11946	3664	3664
ACTROS MP2 / MP3 1848, L, LL	04.2003 -	350	476	15928	4091	
ACTROS MP2 / MP3 1848, L, LL	04.2003 -	350	476	15928	3664	3664
ACTROS MP2 / MP3 1848, LS, LLS	04.2003 -	350	476	11946	4091	
ACTROS MP2 / MP3 1848, LS, LLS	04.2003 -	350	476	11946	3664	3664
ACTROS MP2 / MP3 1850 AK, 1851 AK	04.2003 -	370	503	15928	4091	
ACTROS MP2 / MP3 1850 AK, 1851 AK	04.2003 -	370	503	15928	3664	3664
ACTROS MP2 / MP3 1850, 1851 K	04.2003 -	370	503	15928	4091	
ACTROS MP2 / MP3 1850, 1851 K	04.2003 -	370	503	15928	3664	3664
ACTROS MP2 / MP3 1850, 1851 LS, LLS	04.2003 -	370	503	15928	4091	
ACTROS MP2 / MP3 1850, 1851 LS, LLS	04.2003 -	370	503	15928	3664	3664
ACTROS MP2 / MP3 1850, 1851, L, LL	04.2003 -	370	503	15928	4091	
ACTROS MP2 / MP3 1850, 1851, L, LL	04.2003 -	370	503	15928	3664	3664
ACTROS MP2 / MP3 1854 LS	04.2003 -	395	537	15928	4091	
ACTROS MP2 / MP3 1854 LS	04.2003 -	395	537	15928	3664	3664
ACTROS MP2 / MP3 1854, L	04.2003 -	395	537	15928	4091	
ACTROS MP2 / MP3 1854, L	04.2003 -	395	537	15928	3664	3664
ACTROS MP2 / MP3 1855 LS, LLS	06.2008 -	405	551	15928		4051
ACTROS MP2 / MP3 1855 LS, LLS	06.2008 -	405	551	15928	4091	
ACTROS MP2 / MP3 1855 LS, LLS	06.2008 -	405	551	15928	3664	3664
ACTROS MP2 / MP3 1855, L, LL	06.2008 -	405	551	15928		4051
ACTROS MP2 / MP3 1855, L, LL	06.2008 -	405	551	15928	4091	
ACTROS MP2 / MP3 1855, L, LL	06.2008 -	405	551	15928	3664	3664
ACTROS MP2 / MP3 1858 LS	10.2002 -	425	578	15928	4091	
ACTROS MP2 / MP3 1858 LS	10.2002 -	425	578	15928	3664	3664
ACTROS MP2 / MP3 1858, L	04.2003 -	425	578	15928	4091	
ACTROS MP2 / MP3 1858, L	04.2003 -	425	578	15928	3664	3664
ACTROS MP2 / MP3 1860 L, LL	05.2005 -	440	598	15928	4091	
ACTROS MP2 / MP3 1860 L, LL	05.2005 -	440	598	15928	3664	3664
ACTROS MP2 / MP3 1860 LS	06.2008 -	440	598	15928		4051
ACTROS MP2 / MP3 1860 LS	06.2008 -	440	598	15928	4091	
ACTROS MP2 / MP3 1860 LS	06.2008 -	440	598	15928	3664	3664
ACTROS MP2 / MP3 1861 LS	05.2005 -	450	612	15928	4091	
ACTROS MP2 / MP3 1861 LS	05.2005 -	450	612	15928	3664	3664
ACTROS MP2 / MP3 2032	04.2003 -	230	313	11946	4091	
ACTROS MP2 / MP3 2032	04.2003 -	230	313	11946	3664	3664
ACTROS MP2 / MP3 2032 A, AE	04.2003 -	230	313	11946	4091	
ACTROS MP2 / MP3 2032 A, AE	04.2003 -	230	313	11946	3664	3664
ACTROS MP2 / MP3 2032 AK	04.2003 -	230	313	11946	4091	



**MAKE & MODEL****YEAR****KW****PS****CC****MERCEDES-BENZ**

ACTROS MP2 / MP3 2032 AK	04.2003 -	230	313	11946	3664	3664
ACTROS MP2 / MP3 2032 AS	04.2003 -	230	313	11946	4091	
ACTROS MP2 / MP3 2032 AS	04.2003 -	230	313	11946	3664	3664
ACTROS MP2 / MP3 2032 K	04.2003 -	230	313	11946	4091	
ACTROS MP2 / MP3 2032 K	04.2003 -	230	313	11946	3664	3664
ACTROS MP2 / MP3 2032 S	04.2003 -	230	313	11946	4091	
ACTROS MP2 / MP3 2032 S	04.2003 -	230	313	11946	3664	3664
ACTROS MP2 / MP3 2036	04.2003 -	260	354	11946	4091	
ACTROS MP2 / MP3 2036	04.2003 -	260	354	11946	3664	3664
ACTROS MP2 / MP3 2036 A, AE	04.2003 -	260	354	11946	4091	
ACTROS MP2 / MP3 2036 A, AE	04.2003 -	260	354	11946	3664	3664
ACTROS MP2 / MP3 2036 AK	04.2003 -	260	354	11946	4091	
ACTROS MP2 / MP3 2036 AS	04.2003 -	260	354	11946	4091	
ACTROS MP2 / MP3 2036 AS	04.2003 -	260	354	11946	3664	3664
ACTROS MP2 / MP3 2036 K	04.2003 -	260	354	11946	4091	
ACTROS MP2 / MP3 2036 K	04.2003 -	260	354	11946	3664	3664
ACTROS MP2 / MP3 2036 S	04.2003 -	260	354	11946	4091	
ACTROS MP2 / MP3 2036 S	04.2003 -	260	354	11946	3664	3664
ACTROS MP2 / MP3 2040	10.2002 -	290	394	11946	4091	
ACTROS MP2 / MP3 2040	10.2002 -	290	394	11946	3664	3664
ACTROS MP2 / MP3 2041	04.2003 -	290	394	11946	4091	
ACTROS MP2 / MP3 2041	04.2003 -	290	394	11946	3664	3664
ACTROS MP2 / MP3 2041 AK	04.2003 -	290	394	11946	4091	
ACTROS MP2 / MP3 2041 AK	04.2003 -	290	394	11946	3664	3664
ACTROS MP2 / MP3 2041 AS	04.2003 -	290	394	11946	4091	
ACTROS MP2 / MP3 2041 AS	04.2003 -	290	394	11946	3664	3664
ACTROS MP2 / MP3 2041 K	04.2003 -	290	394	11946	4091	
ACTROS MP2 / MP3 2041 K	04.2003 -	290	394	11946	3664	3664
ACTROS MP2 / MP3 2041 S	04.2003 -	290	394	11946	4091	
ACTROS MP2 / MP3 2041 S	04.2003 -	290	394	11946	3664	3664
ACTROS MP2 / MP3 2044	04.2003 -	315	428	11946	4091	
ACTROS MP2 / MP3 2044	04.2003 -	315	428	11946	3664	3664
ACTROS MP2 / MP3 2044 AK	04.2003 -	315	428	11946	4091	
ACTROS MP2 / MP3 2044 AS	04.2003 -	315	428	11946	4091	
ACTROS MP2 / MP3 2044 AS	04.2003 -	315	428	11946	3664	3664
ACTROS MP2 / MP3 2044 K	04.2003 -	315	428	11946	4091	
ACTROS MP2 / MP3 2044 K	04.2003 -	315	428	11946	3664	3664
ACTROS MP2 / MP3 2044 S	04.2003 -	315	428	11946	4091	
ACTROS MP2 / MP3 2044 S	04.2003 -	315	428	11946	3664	3664
ACTROS MP2 / MP3 2046	04.2003 -	335	456	11946	4091	
ACTROS MP2 / MP3 2046	04.2003 -	335	456	11946	3664	3664
ACTROS MP2 / MP3 2046 AK	04.2003 -	335	456	11946	4091	
ACTROS MP2 / MP3 2046 AS	04.2003 -	335	456	11946	4091	
ACTROS MP2 / MP3 2046 K	04.2003 -	335	456	11946	4091	
ACTROS MP2 / MP3 2046 K	04.2003 -	335	456	11946	3664	3664
ACTROS MP2 / MP3 2046 S	04.2003 -	335	456	11946	4091	
ACTROS MP2 / MP3 2046 S	04.2003 -	335	456	11946	3664	3664
ACTROS MP2 / MP3 2048	06.2008 -	350	476	11946		4051
ACTROS MP2 / MP3 2048	06.2008 -	350	476	11946	4091	
ACTROS MP2 / MP3 2048	06.2008 -	350	476	11946	3664	3664
ACTROS MP2 / MP3 2048 AK	04.2003 -	350	476	11946	4091	
ACTROS MP2 / MP3 2048 AS	04.2003 -	350	476	11946	4091	4091
ACTROS MP2 / MP3 2048 AS	04.2003 -	350	476	15928	4091	
ACTROS MP2 / MP3 2048 K	04.2003 -	350	476	11946	4091	
ACTROS MP2 / MP3 2048 K	04.2003 -	350	476	11946	3664	3664
ACTROS MP2 / MP3 2048 S	06.2008 -	350	476	11946		4051
ACTROS MP2 / MP3 2048 S	06.2008 -	350	476	11946	4091	
ACTROS MP2 / MP3 2048 S	06.2008 -	350	476	11946	3664	3664
ACTROS MP2 / MP3 2050 S	04.2003 -	370	503	15928	4091	
ACTROS MP2 / MP3 2050 S	04.2003 -	370	503	15928	3664	3664
ACTROS MP2 / MP3 2051 AS	04.2003 -	375	510	15928	4091	
ACTROS MP2 / MP3 2051 S	06.2008 -	375	510	15928		4051
ACTROS MP2 / MP3 2051 S	06.2008 -	375	510	15928	4091	
ACTROS MP2 / MP3 2051 S	06.2008 -	375	510	15928	3664	3664
ACTROS MP2 / MP3 2054 S	04.2003 -	395	537	15928	4091	
ACTROS MP2 / MP3 2054 S	04.2003 -	395	537	15928	3664	3664
ACTROS MP2 / MP3 2055 S	06.2008 -	405	551	15928		4051



**MAKE & MODEL****YEAR****KW****PS****CC****MERCEDES-BENZ**

ACTROS MP2 / MP3 2055 S	06.2008 -	405	551	15928	4091	
ACTROS MP2 / MP3 2055 S	06.2008 -	405	551	15928	3664	3664
ACTROS MP2 / MP3 2432 LS	06.2008 -	235	320	11946	4091	
ACTROS MP2 / MP3 2436 LS	06.2008 -	265	360	11946	4091	
ACTROS MP2 / MP3 2441 LS	06.2008 -	300	408	11946	4091	
ACTROS MP2 / MP3 2444 LS	06.2008 -	320	435	11946	4091	
ACTROS MP2 / MP3 2446 LS	06.2008 -	335	456	11946	4091	
ACTROS MP2 / MP3 2448 LS	06.2008 -	350	476	11946	4091	
ACTROS MP2 / MP3 2451 LS	06.2008 -	375	510	15928	4091	
ACTROS MP2 / MP3 2455 LS	06.2008 -	405	551	15928	4091	
ACTROS MP2 / MP3 2460 LS	06.2008 -	440	598	15928	4091	
ACTROS MP2 / MP3 2532 LS	04.2003 -	230	313	11946	4091	
ACTROS MP2 / MP3 2532 LS	04.2003 -	230	313	11946	3664	3664
ACTROS MP2 / MP3 2532, L, LL	04.2003 -	230	312	11946	4091	
ACTROS MP2 / MP3 2532, L, LL	04.2003 -	230	312	11946	3664	3664
ACTROS MP2 / MP3 2536 LS	04.2003 -	260	353	11946	4091	
ACTROS MP2 / MP3 2536 LS	04.2003 -	260	353	11946	3664	3664
ACTROS MP2 / MP3 2536 LS	06.2008 -	265	360	11946		4051
ACTROS MP2 / MP3 2536 LS	06.2008 -	265	360	11946	4091	
ACTROS MP2 / MP3 2536 LS	06.2008 -	265	360	11946	3664	3664
ACTROS MP2 / MP3 2536, L, LL	04.2003 -	260	354	11946	4091	
ACTROS MP2 / MP3 2536, L, LL	04.2003 -	260	354	11946	3664	3664
ACTROS MP2 / MP3 2541 LS	04.2003 -	290	394	11946	4091	
ACTROS MP2 / MP3 2541 LS	04.2003 -	290	394	11946	3664	3664
ACTROS MP2 / MP3 2541 LS	06.2008 -	300	408	11946		4051
ACTROS MP2 / MP3 2541 LS	06.2008 -	300	408	11946	4091	
ACTROS MP2 / MP3 2541 LS	06.2008 -	300	408	11946	3664	3664
ACTROS MP2 / MP3 2541, L, LL	04.2003 -	290	394	11946	4091	
ACTROS MP2 / MP3 2541, L, LL	04.2003 -	290	394	11946	3664	3664
ACTROS MP2 / MP3 2544 LS	04.2003 -	315	428	11946	4091	
ACTROS MP2 / MP3 2544 LS	04.2003 -	315	428	11946	3664	3664
ACTROS MP2 / MP3 2544 LS	06.2008 -	320	435	11946		4051
ACTROS MP2 / MP3 2544 LS	06.2008 -	320	435	11946	4091	
ACTROS MP2 / MP3 2544 LS	06.2008 -	320	435	11946	3664	3664
ACTROS MP2 / MP3 2544, L, LL	04.2003 -	315	428	11946	4091	
ACTROS MP2 / MP3 2544, L, LL	04.2003 -	315	428	11946	3664	3664
ACTROS MP2 / MP3 2546 LS	04.2003 -	335	456	11946	4091	
ACTROS MP2 / MP3 2546 LS	04.2003 -	335	456	11946	3664	3664
ACTROS MP2 / MP3 2546 LS	06.2008 -	335	456	11946		4051
ACTROS MP2 / MP3 2546 LS	06.2008 -	335	456	11946	4091	
ACTROS MP2 / MP3 2546 LS	06.2008 -	335	456	11946	3664	3664
ACTROS MP2 / MP3 2546, L, LL	04.2003 -	335	456	11946	4091	
ACTROS MP2 / MP3 2546, L, LL	04.2003 -	335	456	11946	3664	3664
ACTROS MP2 / MP3 2548 L	04.2003 -	350	476	15928	4091	
ACTROS MP2 / MP3 2548 L	04.2003 -	350	476	15928	3664	3664
ACTROS MP2 / MP3 2548 LS	04.2003 -	350	476	11946	4091	
ACTROS MP2 / MP3 2548 LS	04.2003 -	350	476	11946	3664	3664
ACTROS MP2 / MP3 2548 LS	06.2008 -	350	476	11946		4051
ACTROS MP2 / MP3 2548 LS	06.2008 -	350	476	11946	4091	
ACTROS MP2 / MP3 2548 LS	06.2008 -	350	476	11946	3664	3664
ACTROS MP2 / MP3 2548, L,LL	04.2003 -	350	476	11946	4091	
ACTROS MP2 / MP3 2548, L,LL	04.2003 -	350	476	11946	3664	3664
ACTROS MP2 / MP3 2550 LS	04.2003 -	370	503	15928	4091	
ACTROS MP2 / MP3 2550 LS	04.2003 -	370	503	15928	3664	3664
ACTROS MP2 / MP3 2550, LS	04.2003 -	370	503	15928	4091	
ACTROS MP2 / MP3 2550, LS	04.2003 -	370	503	15928	3664	3664
ACTROS MP2 / MP3 2551 LS	04.2003 -	375	510	15928	4091	
ACTROS MP2 / MP3 2551 LS	04.2003 -	375	510	15928	3664	3664
ACTROS MP2 / MP3 2551, L, LL	04.2003 -	375	510	15928	4091	
ACTROS MP2 / MP3 2551, L, LL	04.2003 -	375	510	15928	3664	3664
ACTROS MP2 / MP3 2553 L	04.2003 -	390	530	15928	4091	
ACTROS MP2 / MP3 2553 L	04.2003 -	390	530	15928	3664	3664
ACTROS MP2 / MP3 2554 LS	04.2003 -	395	537	15928	4091	
ACTROS MP2 / MP3 2554 LS	04.2003 -	395	537	15928	3664	3664
ACTROS MP2 / MP3 2554, L	04.2003 -	395	537	15928	4091	
ACTROS MP2 / MP3 2554, L	04.2003 -	395	537	15928	3664	3664
ACTROS MP2 / MP3 2555 LS	09.2005 -	405	551	15928	4091	

**MAKE & MODEL****YEAR****KW****PS****CC****MERCEDES-BENZ**

ACTROS MP2 / MP3 2555 LS	09.2005 -	405	551	15928	3664	3664
ACTROS MP2 / MP3 2555, L, LL	04.2003 -	405	551	15928	4091	
ACTROS MP2 / MP3 2555, L, LL	04.2003 -	405	551	15928	3664	3664
ACTROS MP2 / MP3 2558, L	04.2003 -	425	578	15928	4091	
ACTROS MP2 / MP3 2558, L	04.2003 -	425	578	15928	3664	3664
ACTROS MP2 / MP3 2560, L, LL	04.2003 -	440	598	15928	4091	
ACTROS MP2 / MP3 2560, L, LL	04.2003 -	440	598	15928	3664	3664
ACTROS MP2 / MP3 2631 B	04.2003 -	230	313	11946	4091	
ACTROS MP2 / MP3 2631 B	04.2003 -	230	313	11946	3664	3664
ACTROS MP2 / MP3 2631 K, LK	04.2003 -	230	313	11946	4091	
ACTROS MP2 / MP3 2631 K, LK	04.2003 -	230	313	11946	3664	3664
ACTROS MP2 / MP3 2631 L	04.2003 -	230	313	11946	4091	
ACTROS MP2 / MP3 2631 L	04.2003 -	230	313	11946	3664	3664
ACTROS MP2 / MP3 2631 LS	10.2002 -	230	313	11946	4091	
ACTROS MP2 / MP3 2631 LS	10.2002 -	230	313	11946	3664	3664
ACTROS MP2 / MP3 2631 LS	10.2009 -	230	313	11946		4051
ACTROS MP2 / MP3 2631 LS	10.2009 -	230	313	11946	4091	
ACTROS MP2 / MP3 2631 LS	10.2009 -	230	313	11946	3664	3664
ACTROS MP2 / MP3 2632 B	04.2003 -	235	320	11946	4091	
ACTROS MP2 / MP3 2632 B	04.2003 -	235	320	11946	3664	3664
ACTROS MP2 / MP3 2632 K, LK	04.2003 -	235	320	11946	4091	
ACTROS MP2 / MP3 2632 K, LK	04.2003 -	235	320	11946	3664	3664
ACTROS MP2 / MP3 2632 LS	04.2003 -	235	320	11946	4091	
ACTROS MP2 / MP3 2632 LS	04.2003 -	235	320	11946	3664	3664
ACTROS MP2 / MP3 2632 LS	10.2009 -	235	320	11946		4051
ACTROS MP2 / MP3 2632 LS	10.2009 -	235	320	11946	4091	
ACTROS MP2 / MP3 2632 LS	10.2009 -	235	320	11946	3664	3664
ACTROS MP2 / MP3 2632, L, LL	04.2003 -	235	320	11946	4091	
ACTROS MP2 / MP3 2632, L, LL	04.2003 -	235	320	11946	3664	3664
ACTROS MP2 / MP3 2635 B	04.2003 -	260	354	11946	4091	
ACTROS MP2 / MP3 2635 B	04.2003 -	260	354	11946	3664	3664
ACTROS MP2 / MP3 2635 K, LK	04.2003 -	260	354	11946	4091	
ACTROS MP2 / MP3 2635 K, LK	04.2003 -	260	354	11946	3664	3664
ACTROS MP2 / MP3 2635 L	04.2003 -	260	354	11946	4091	
ACTROS MP2 / MP3 2635 L	04.2003 -	260	354	11946	3664	3664
ACTROS MP2 / MP3 2635 LS	10.2002 -	260	354	11946	4091	
ACTROS MP2 / MP3 2635 LS	10.2002 -	260	354	11946	3664	3664
ACTROS MP2 / MP3 2635 LS	10.2009 -	260	354	11946		4051
ACTROS MP2 / MP3 2635 LS	10.2009 -	260	354	11946	4091	
ACTROS MP2 / MP3 2635 LS	10.2009 -	260	354	11946	3664	3664
ACTROS MP2 / MP3 2636 B	04.2003 -	265	360	11946	4091	
ACTROS MP2 / MP3 2636 B	04.2003 -	265	360	11946	3664	3664
ACTROS MP2 / MP3 2636 K, LK	04.2003 -	265	360	11946	4091	
ACTROS MP2 / MP3 2636 K, LK	04.2003 -	265	360	11946	3664	3664
ACTROS MP2 / MP3 2636 LS	04.2003 -	265	360	11946	4091	
ACTROS MP2 / MP3 2636 LS	04.2003 -	265	360	11946	3664	3664
ACTROS MP2 / MP3 2636 LS	10.2009 -	265	360	11946		4051
ACTROS MP2 / MP3 2636 LS	10.2009 -	265	360	11946	4091	
ACTROS MP2 / MP3 2636 LS	10.2009 -	265	360	11946	3664	3664
ACTROS MP2 / MP3 2636, L, LL	04.2003 -	265	360	11946	4091	
ACTROS MP2 / MP3 2636, L, LL	04.2003 -	265	360	11946	3664	3664
ACTROS MP2 / MP3 2640 B	04.2003 -	290	394	11946	4091	
ACTROS MP2 / MP3 2640 B	04.2003 -	290	394	11946	3664	3664
ACTROS MP2 / MP3 2640 K, LK	04.2003 -	290	394	11946	4091	
ACTROS MP2 / MP3 2640 K, LK	04.2003 -	290	394	11946	3664	3664
ACTROS MP2 / MP3 2640 L	04.2003 -	290	394	11946	4091	
ACTROS MP2 / MP3 2640 L	04.2003 -	290	394	11946	3664	3664
ACTROS MP2 / MP3 2640 LS	10.2002 -	290	394	11946	4091	
ACTROS MP2 / MP3 2640 LS	10.2002 -	290	394	11946	3664	3664
ACTROS MP2 / MP3 2640 LS	10.2009 -	290	394	11946		4051
ACTROS MP2 / MP3 2640 LS	10.2009 -	290	394	11946	4091	
ACTROS MP2 / MP3 2640 LS	10.2009 -	290	394	11946	3664	3664
ACTROS MP2 / MP3 2641 B	04.2003 -	300	408	11946	4091	
ACTROS MP2 / MP3 2641 B	04.2003 -	300	408	11946	3664	3664
ACTROS MP2 / MP3 2641 K, LK	04.2003 -	300	408	11946	4091	
ACTROS MP2 / MP3 2641 K, LK	04.2003 -	300	408	11946	3664	3664
ACTROS MP2 / MP3 2641 LS	10.2009 -	300	408	11946		4051

**MAKE & MODEL****YEAR****KW****PS****CC****MERCEDES-BENZ**

ACTROS MP2 / MP3 2641 LS	10.2009 -	300	408	11946	4091	
ACTROS MP2 / MP3 2641 LS	10.2009 -	300	408	11946	3664	3664
ACTROS MP2 / MP3 2641 S, LS	04.2003 -	300	408	11946	4091	
ACTROS MP2 / MP3 2641 S, LS	04.2003 -	300	408	11946	3664	3664
ACTROS MP2 / MP3 2641, L, LL	04.2003 -	300	408	11946	4091	
ACTROS MP2 / MP3 2641, L, LL	04.2003 -	300	408	11946	3664	3664
ACTROS MP2 / MP3 2643 B	04.2003 -	315	428	11946	4091	
ACTROS MP2 / MP3 2643 B	04.2003 -	315	428	11946	3664	3664
ACTROS MP2 / MP3 2643 K, LK	04.2003 -	315	428	11946	4091	
ACTROS MP2 / MP3 2643 K, LK	04.2003 -	315	428	11946	3664	3664
ACTROS MP2 / MP3 2643 L	04.2003 -	315	428	11946	4091	
ACTROS MP2 / MP3 2643 LS	04.2003 -	315	428	11946	3664	3664
ACTROS MP2 / MP3 2643 LS	10.2009 -	315	428	11946		4051
ACTROS MP2 / MP3 2643 LS	10.2009 -	315	428	11946	4091	
ACTROS MP2 / MP3 2643 LS	10.2009 -	315	428	11946	3664	3664
ACTROS MP2 / MP3 2644 B	04.2003 -	320	435	11946	4091	
ACTROS MP2 / MP3 2644 B	04.2003 -	320	435	11946	3664	3664
ACTROS MP2 / MP3 2644 K, LK	04.2003 -	320	435	11946	4091	
ACTROS MP2 / MP3 2644 K, LK	04.2003 -	320	435	11946	3664	3664
ACTROS MP2 / MP3 2644 S, LS	04.2003 -	315	428	11946	4091	
ACTROS MP2 / MP3 2644 S, LS	04.2003 -	315	428	11946	3664	3664
ACTROS MP2 / MP3 2644, L, LL	04.2003 -	320	435	11946	4091	
ACTROS MP2 / MP3 2644, L, LL	04.2003 -	320	435	11946	3664	3664
ACTROS MP2 / MP3 2646 B	04.2003 -	335	456	11946	4091	
ACTROS MP2 / MP3 2646 B	04.2003 -	335	456	11946	3664	3664
ACTROS MP2 / MP3 2646 K, LK	04.2003 -	335	456	11946	4091	
ACTROS MP2 / MP3 2646 K, LK	04.2003 -	335	456	11946	3664	3664
ACTROS MP2 / MP3 2646 LS	10.2009 -	335	456	11946		4051
ACTROS MP2 / MP3 2646 LS	10.2009 -	335	456	11946	4091	
ACTROS MP2 / MP3 2646 LS	10.2009 -	335	456	11946	3664	3664
ACTROS MP2 / MP3 2646 S, LS	04.2003 -	335	456	11946	4091	
ACTROS MP2 / MP3 2646 S, LS	04.2003 -	335	456	11946	3664	3664
ACTROS MP2 / MP3 2646, L, LL	04.2003 -	335	456	11946	4091	
ACTROS MP2 / MP3 2646, L, LL	04.2003 -	335	456	11946	3664	3664
ACTROS MP2 / MP3 2648 B	04.2003 -	350	476	11946	4091	
ACTROS MP2 / MP3 2648 B	04.2003 -	350	476	11946	3664	3664
ACTROS MP2 / MP3 2648 K, LK	04.2003 -	350	476	11946	4091	
ACTROS MP2 / MP3 2648 K, LK	04.2003 -	350	476	11946	3664	3664
ACTROS MP2 / MP3 2648 K, LK	04.2003 -	350	476	15928	4091	
ACTROS MP2 / MP3 2648 K, LK	04.2003 -	350	476	15928	3664	3664
ACTROS MP2 / MP3 2648 L	04.2003 -	350	476	15928	4091	
ACTROS MP2 / MP3 2648 L	04.2003 -	350	476	15928	3664	3664
ACTROS MP2 / MP3 2648 LS	10.2002 -	350	476	15928	4091	
ACTROS MP2 / MP3 2648 LS	10.2002 -	350	476	15928	3664	3664
ACTROS MP2 / MP3 2648 LS	10.2009 -	355	483	11946		4051
ACTROS MP2 / MP3 2648 LS	10.2009 -	355	483	11946	4091	
ACTROS MP2 / MP3 2648 LS	10.2009 -	355	483	11946	3664	3664
ACTROS MP2 / MP3 2648 S, LS	04.2003 -	350	476	11946	4091	
ACTROS MP2 / MP3 2648 S, LS	04.2003 -	350	476	11946	3664	3664
ACTROS MP2 / MP3 2648, L, LL	04.2003 -	350	476	11946	4091	
ACTROS MP2 / MP3 2648, L, LL	04.2003 -	350	476	11946	3664	3664
ACTROS MP2 / MP3 2650 K, 2651 K, LK	04.2003 -	370	503	15928	4091	
ACTROS MP2 / MP3 2650 K, 2651 K, LK	04.2003 -	370	503	15928	3664	3664
ACTROS MP2 / MP3 2650 S, LS	04.2003 -	370	503	15928	4091	
ACTROS MP2 / MP3 2650 S, LS	04.2003 -	370	503	15928	3664	3664
ACTROS MP2 / MP3 2650, L, 2651, L, LL	04.2003 -	370	503	15928	4091	
ACTROS MP2 / MP3 2650, L, 2651, L, LL	04.2003 -	370	503	15928	3664	3664
ACTROS MP2 / MP3 2651 L	04.2003 -	375	510	15928	4091	
ACTROS MP2 / MP3 2651 L	04.2003 -	375	510	15928	3664	3664
ACTROS MP2 / MP3 2651 LS	10.2009 -	375	510	15928		4051
ACTROS MP2 / MP3 2651 LS	10.2009 -	375	510	15928	4091	
ACTROS MP2 / MP3 2651 LS	10.2009 -	375	510	15928	3664	3664
ACTROS MP2 / MP3 2651 S, LS	04.2003 -	375	510	15928	4091	
ACTROS MP2 / MP3 2651 S, LS	04.2003 -	375	510	15928	3664	3664
ACTROS MP2 / MP3 2653 K, LK	04.2003 -	390	530	15928	4091	
ACTROS MP2 / MP3 2653 K, LK	04.2003 -	390	530	15928	3664	3664
ACTROS MP2 / MP3 2653 L	04.2003 -	390	530	15928	4091	

**MAKE & MODEL****YEAR****KW****PS****CC****MERCEDES-BENZ**

ACTROS MP2 / MP3 2653 L	04.2003 -	390	530	15928	3664	3664
ACTROS MP2 / MP3 2653 LS	10.2009 -	390	530	15928		4051
ACTROS MP2 / MP3 2653 LS	10.2009 -	390	530	15928	4091	
ACTROS MP2 / MP3 2653 LS	10.2009 -	390	530	15928	3664	3664
ACTROS MP2 / MP3 2654 K, LK, 2655 K, LK	04.2003 -	395	537	15928	4091	
ACTROS MP2 / MP3 2654 K, LK, 2655 K, LK	04.2003 -	395	537	15928	3664	3664
ACTROS MP2 / MP3 2654 S, LS	04.2003 -	390	530	15928	4091	
ACTROS MP2 / MP3 2654 S, LS	04.2003 -	390	530	15928	3664	3664
ACTROS MP2 / MP3 2654, L, 2655, L, LL	04.2003 -	395	537	15928	4091	
ACTROS MP2 / MP3 2654, L, 2655, L, LL	04.2003 -	395	537	15928	3664	3664
ACTROS MP2 / MP3 2655 LS	10.2009 -	405	551	15928		4051
ACTROS MP2 / MP3 2655 LS	10.2009 -	405	551	15928	4091	
ACTROS MP2 / MP3 2655 LS	10.2009 -	405	551	15928	3664	3664
ACTROS MP2 / MP3 2655 S, LS	04.2003 -	405	551	15928	4091	
ACTROS MP2 / MP3 2655 S, LS	04.2003 -	405	551	15928	3664	3664
ACTROS MP2 / MP3 2658 K, LK	04.2003 -	425	578	15928	4091	
ACTROS MP2 / MP3 2658 K, LK	04.2003 -	425	578	15928	3664	3664
ACTROS MP2 / MP3 2658 L	04.2003 -	425	578	15928	4091	
ACTROS MP2 / MP3 2658 L	04.2003 -	425	578	15928	3664	3664
ACTROS MP2 / MP3 2658 LS	04.2003 -	425	578	15928	4091	
ACTROS MP2 / MP3 2658 LS	04.2003 -	425	578	15928	3664	3664
ACTROS MP2 / MP3 2660 L, LL	05.2005 -	440	598	15928	4091	
ACTROS MP2 / MP3 2660 L, LL	05.2005 -	440	598	15928	3664	3664
ACTROS MP2 / MP3 2660 LK	04.2003 -	440	598	15928	4091	
ACTROS MP2 / MP3 2660 LK	04.2003 -	440	598	15928	3664	3664
ACTROS MP2 / MP3 2660 S, LS	06.2008 -	440	598	15928		4051
ACTROS MP2 / MP3 2660 S, LS	06.2008 -	440	598	15928	4091	
ACTROS MP2 / MP3 2660 S, LS	06.2008 -	440	598	15928	3664	3664
ACTROS MP2 / MP3 2665 LS	04.2003 -	480	653	15928	4091	
ACTROS MP2 / MP3 2665 LS	04.2003 -	480	653	15928	3664	3664
ACTROS MP2 / MP3 3231 B	04.2003 -	230	313	11946	4091	
ACTROS MP2 / MP3 3231 B	04.2003 -	230	313	11946	3664	3664
ACTROS MP2 / MP3 3231 K, 3232 K	04.2003 -	230	313	11946	4091	
ACTROS MP2 / MP3 3231 K, 3232 K	04.2003 -	230	313	11946	3664	3664
ACTROS MP2 / MP3 3232 B	04.2003 -	235	320	11946	4091	
ACTROS MP2 / MP3 3232 B	04.2003 -	235	320	11946	3664	3664
ACTROS MP2 / MP3 3235 B	04.2003 -	260	354	11946	4091	
ACTROS MP2 / MP3 3235 B	04.2003 -	260	354	11946	3664	3664
ACTROS MP2 / MP3 3235 K	04.2003 -	260	354	11946	4091	
ACTROS MP2 / MP3 3235 K	04.2003 -	260	354	11946	3664	3664
ACTROS MP2 / MP3 3236 B	04.2003 -	265	360	11946	4091	
ACTROS MP2 / MP3 3236 B	04.2003 -	265	360	11946	3664	3664
ACTROS MP2 / MP3 3236 K	04.2003 -	265	360	11946	4091	
ACTROS MP2 / MP3 3236 K	04.2003 -	265	360	11946	3664	3664
ACTROS MP2 / MP3 3240	04.2003 -	290	394	11946	4091	
ACTROS MP2 / MP3 3240	04.2003 -	290	394	11946	3664	3664
ACTROS MP2 / MP3 3240 B	04.2003 -	290	394	11946	4091	
ACTROS MP2 / MP3 3240 B	04.2003 -	290	394	11946	3664	3664
ACTROS MP2 / MP3 3240 K	04.2003 -	290	394	11946	4091	
ACTROS MP2 / MP3 3240 K	04.2003 -	290	394	11946	3664	3664
ACTROS MP2 / MP3 3241	04.2003 -	300	408	11946	4091	
ACTROS MP2 / MP3 3241	04.2003 -	300	408	11946	3664	3664
ACTROS MP2 / MP3 3241 B	04.2003 -	300	408	11946	4091	
ACTROS MP2 / MP3 3241 B	04.2003 -	300	408	11946	3664	3664
ACTROS MP2 / MP3 3241 K	04.2003 -	300	408	11946	4091	
ACTROS MP2 / MP3 3241 K	04.2003 -	300	408	11946	3664	3664
ACTROS MP2 / MP3 3241 L	06.2008 -	300	408	11946		4051
ACTROS MP2 / MP3 3241 L	06.2008 -	300	408	11946	4091	
ACTROS MP2 / MP3 3241 L	06.2008 -	300	408	11946	3664	3664
ACTROS MP2 / MP3 3243	10.2002 -	315	428	11946	4091	
ACTROS MP2 / MP3 3243	10.2002 -	315	428	11946	3664	3664
ACTROS MP2 / MP3 3243 B	04.2003 -	315	428	11946	4091	
ACTROS MP2 / MP3 3243 B	04.2003 -	315	428	11946	3664	3664
ACTROS MP2 / MP3 3243 K	04.2003 -	315	428	11946	4091	
ACTROS MP2 / MP3 3243 K	04.2003 -	315	428	11946	3664	3664
ACTROS MP2 / MP3 3244	04.2003 -	320	435	11946	4091	
ACTROS MP2 / MP3 3244	04.2003 -	320	435	11946	3664	3664

**MAKE & MODEL****YEAR****KW****PS****CC****MERCEDES-BENZ**

ACTROS MP2 / MP3 3244 B	04.2003 -	320	435	11946	4091	
ACTROS MP2 / MP3 3244 B	04.2003 -	320	435	11946	3664	3664
ACTROS MP2 / MP3 3244 K	04.2003 -	320	435	11946	4091	
ACTROS MP2 / MP3 3244 K	04.2003 -	320	435	11946	3664	3664
ACTROS MP2 / MP3 3246	04.2003 -	335	456	11946	4091	
ACTROS MP2 / MP3 3246	04.2003 -	335	456	11946	3664	3664
ACTROS MP2 / MP3 3246 B	04.2003 -	335	456	11946	4091	
ACTROS MP2 / MP3 3246 B	04.2003 -	335	456	11946	3664	3664
ACTROS MP2 / MP3 3246 K	04.2003 -	335	456	11946	4091	
ACTROS MP2 / MP3 3246 K	04.2003 -	335	456	11946	3664	3664
ACTROS MP2 / MP3 3248 B	04.2003 -	350	476	11946	4091	
ACTROS MP2 / MP3 3248 B	04.2003 -	350	476	11946	3664	3664
ACTROS MP2 / MP3 3248 K	04.2003 -	350	476	11946	4091	
ACTROS MP2 / MP3 3248 K	04.2003 -	350	476	11946	3664	3664
ACTROS MP2 / MP3 3248, L	04.2003 -	350	476	11946	4091	
ACTROS MP2 / MP3 3248, L	04.2003 -	350	476	11946	3664	3664
ACTROS MP2 / MP3 3250	04.2003 -	370	503	15928	4091	
ACTROS MP2 / MP3 3255 L	02.2009 -	405	551	15928		4051
ACTROS MP2 / MP3 3255 L	02.2009 -	405	551	15928	4091	
ACTROS MP2 / MP3 3255 L	02.2009 -	405	551	15928	3664	3664
ACTROS MP2 / MP3 3260 L	02.2009 -	440	598	15928		4051
ACTROS MP2 / MP3 3260 L	02.2009 -	440	598	15928	4091	
ACTROS MP2 / MP3 3260 L	02.2009 -	440	598	15928	3664	3664
ACTROS MP2 / MP3 3331 A, 3332 A	04.2003 -	230	313	11946	4091	
ACTROS MP2 / MP3 3331 AK, 3332 AK	04.2003 -	230	313	11946	4091	
ACTROS MP2 / MP3 3331 B	04.2003 -	230	313	11946	4091	
ACTROS MP2 / MP3 3331 B	04.2003 -	230	313	11946	3664	3664
ACTROS MP2 / MP3 3331 K	04.2003 -	230	313	11946	4091	
ACTROS MP2 / MP3 3331 K	04.2003 -	230	313	11946	3664	3664
ACTROS MP2 / MP3 3331 S, 3332 S	04.2003 -	230	313	11946	4091	
ACTROS MP2 / MP3 3331 S, 3332 S	04.2003 -	230	313	11946	3664	3664
ACTROS MP2 / MP3 3331, 3332	04.2003 -	230	313	11946	4091	
ACTROS MP2 / MP3 3331, 3332	04.2003 -	230	313	11946	3664	3664
ACTROS MP2 / MP3 3332 AK	04.2003 -	235	320	11946	4091	
ACTROS MP2 / MP3 3332 AKE	04.2003 -	235	320	11946	4091	4091
ACTROS MP2 / MP3 3332 AS	04.2003 -	235	320	11946	4091	
ACTROS MP2 / MP3 3332 B	04.2003 -	235	320	11946	4091	
ACTROS MP2 / MP3 3332 B	04.2003 -	235	320	11946	3664	3664
ACTROS MP2 / MP3 3332 K	04.2003 -	230	313	11946	4091	
ACTROS MP2 / MP3 3332 K	04.2003 -	230	313	11946	3664	3664
ACTROS MP2 / MP3 3335 A	04.2003 -	260	354	11946	4091	
ACTROS MP2 / MP3 3335 B	04.2003 -	260	354	11946	4091	
ACTROS MP2 / MP3 3335 B	04.2003 -	260	354	11946	3664	3664
ACTROS MP2 / MP3 3335 K	04.2003 -	260	354	11946	4091	
ACTROS MP2 / MP3 3335 K	04.2003 -	260	354	11946	3664	3664
ACTROS MP2 / MP3 3336	04.2003 -	265	360	11946	4091	
ACTROS MP2 / MP3 3336	04.2003 -	265	360	11946	3664	3664
ACTROS MP2 / MP3 3336 A	04.2003 -	265	360	11946	4091	
ACTROS MP2 / MP3 3336 AK	04.2003 -	260	354	11946	4091	
ACTROS MP2 / MP3 3336 AKE	04.2003 -	260	354	11946	4091	4091
ACTROS MP2 / MP3 3336 AS	04.2003 -	265	360	11946	4091	
ACTROS MP2 / MP3 3336 B	04.2003 -	265	360	11946	4091	
ACTROS MP2 / MP3 3336 B	04.2003 -	265	360	11946	3664	3664
ACTROS MP2 / MP3 3336 K	04.2003 -	260	354	11946	4091	
ACTROS MP2 / MP3 3336 K	04.2003 -	260	354	11946	3664	3664
ACTROS MP2 / MP3 3336 K	04.2003 -	265	360	11946	4091	
ACTROS MP2 / MP3 3336 K	04.2003 -	265	360	11946	3664	3664
ACTROS MP2 / MP3 3336 S	04.2003 -	265	360	11946	4091	
ACTROS MP2 / MP3 3336 S	04.2003 -	265	360	11946	3664	3664
ACTROS MP2 / MP3 3339 A	04.2003 -	290	394	11946	4091	4091
ACTROS MP2 / MP3 3339 AK	04.2003 -	290	394	11946	4091	4091
ACTROS MP2 / MP3 3339 B	04.2003 -	290	394	11946	4091	
ACTROS MP2 / MP3 3339 B	04.2003 -	290	394	11946	3664	3664
ACTROS MP2 / MP3 3339 K	04.2003 -	290	394	11946	4091	
ACTROS MP2 / MP3 3339 K	04.2003 -	290	394	11946	3664	3664
ACTROS MP2 / MP3 3341	04.2003 -	300	408	11946	4091	
ACTROS MP2 / MP3 3341	04.2003 -	300	408	11946	3664	3664



**MAKE & MODEL****YEAR****KW****PS****CC****MERCEDES-BENZ**

ACTROS MP2 / MP3 3341 A	04.2003 -	300	408	11946	4091	
ACTROS MP2 / MP3 3341 AK	04.2003 -	300	408	11946	4091	
ACTROS MP2 / MP3 3341 AKE	04.2003 -	300	408	11946	4091	4091
ACTROS MP2 / MP3 3341 AS	04.2003 -	300	408	11946	4091	
ACTROS MP2 / MP3 3341 B	04.2003 -	300	408	11946	4091	
ACTROS MP2 / MP3 3341 B	04.2003 -	300	408	11946	3664	3664
ACTROS MP2 / MP3 3341 K	04.2003 -	300	408	11946	4091	
ACTROS MP2 / MP3 3341 K	04.2003 -	300	408	11946	3664	3664
ACTROS MP2 / MP3 3341 S	04.2003 -	300	408	11946	4091	
ACTROS MP2 / MP3 3341 S	04.2003 -	300	408	11946	3664	3664
ACTROS MP2 / MP3 3343 AK	04.2003 -	315	428	11946	4091	
ACTROS MP2 / MP3 3343 B	04.2003 -	315	428	11946	4091	
ACTROS MP2 / MP3 3343 B	04.2003 -	315	428	11946	3664	3664
ACTROS MP2 / MP3 3343 K	04.2003 -	315	428	11946	4091	
ACTROS MP2 / MP3 3343 K	04.2003 -	315	428	11946	3664	3664
ACTROS MP2 / MP3 3344	04.2003 -	315	428	11946	4091	
ACTROS MP2 / MP3 3344	04.2003 -	315	428	11946	3664	3664
ACTROS MP2 / MP3 3344 A	04.2003 -	315	428	11946	4091	
ACTROS MP2 / MP3 3344 AK	04.2003 -	320	435	11946	4091	
ACTROS MP2 / MP3 3344 AKE	04.2003 -	320	435	11946	4091	4091
ACTROS MP2 / MP3 3344 AS	04.2003 -	320	435	11946	4091	
ACTROS MP2 / MP3 3344 B	04.2003 -	320	435	11946	4091	
ACTROS MP2 / MP3 3344 B	04.2003 -	320	435	11946	3664	3664
ACTROS MP2 / MP3 3344 K	04.2003 -	320	435	11946	4091	
ACTROS MP2 / MP3 3344 K	04.2003 -	320	435	11946	3664	3664
ACTROS MP2 / MP3 3344 S	04.2003 -	320	435	11946	4091	
ACTROS MP2 / MP3 3344 S	04.2003 -	320	435	11946	3664	3664
ACTROS MP2 / MP3 3346	04.2003 -	335	456	11946	4091	
ACTROS MP2 / MP3 3346	04.2003 -	335	456	11946	3664	3664
ACTROS MP2 / MP3 3346 A	04.2003 -	335	456	11946	4091	
ACTROS MP2 / MP3 3346 AK	04.2003 -	335	456	11946	4091	
ACTROS MP2 / MP3 3346 AKE	04.2003 -	335	456	11946	4091	4091
ACTROS MP2 / MP3 3346 AS	04.2003 -	335	456	11946	4091	
ACTROS MP2 / MP3 3346 B	04.2003 -	335	456	11946	4091	
ACTROS MP2 / MP3 3346 B	04.2003 -	335	456	11946	3664	3664
ACTROS MP2 / MP3 3346 K	04.2003 -	335	456	11946	4091	
ACTROS MP2 / MP3 3346 K	04.2003 -	335	456	11946	3664	3664
ACTROS MP2 / MP3 3346 S	04.2003 -	335	456	11946	4091	
ACTROS MP2 / MP3 3346 S	04.2003 -	335	456	11946	3664	3664
ACTROS MP2 / MP3 3348	04.2003 -	350	476	11946	4091	
ACTROS MP2 / MP3 3348	04.2003 -	350	476	11946	3664	3664
ACTROS MP2 / MP3 3348	04.2003 -	350	476	15928	4091	
ACTROS MP2 / MP3 3348	04.2003 -	350	476	15928	3664	3664
ACTROS MP2 / MP3 3348 A	04.2003 -	350	476	11946	4091	4091
ACTROS MP2 / MP3 3348 AK	04.2003 -	350	476	11946	4091	
ACTROS MP2 / MP3 3348 AK	04.2003 -	350	476	15928	4091	
ACTROS MP2 / MP3 3348 AKE	04.2003 -	350	476	11946	4091	4091
ACTROS MP2 / MP3 3348 AS	04.2003 -	350	476	11946	4091	4091
ACTROS MP2 / MP3 3348 AS	04.2003 -	350	476	15928	4091	
ACTROS MP2 / MP3 3348 B	04.2003 -	350	476	11946	4091	
ACTROS MP2 / MP3 3348 B	04.2003 -	350	476	11946	3664	3664
ACTROS MP2 / MP3 3348 K	04.2003 -	350	476	11946	4091	
ACTROS MP2 / MP3 3348 K	04.2003 -	350	476	11946	3664	3664
ACTROS MP2 / MP3 3348 K	04.2003 -	350	476	15928	4091	
ACTROS MP2 / MP3 3348 K	04.2003 -	350	476	15928	3664	3664
ACTROS MP2 / MP3 3348 S	04.2003 -	350	476	11946	4091	
ACTROS MP2 / MP3 3348 S	04.2003 -	350	476	11946	3664	3664
ACTROS MP2 / MP3 3348 S	04.2003 -	350	476	15928	4091	
ACTROS MP2 / MP3 3348 S	04.2003 -	350	476	15928	3664	3664
ACTROS MP2 / MP3 3350 S	06.2009 -	370	503	15928		4051
ACTROS MP2 / MP3 3350 S	06.2009 -	370	503	15928	4091	
ACTROS MP2 / MP3 3350 S	06.2009 -	370	503	15928	3664	3664
ACTROS MP2 / MP3 3350, 3351	04.2003 -	370	503	15928	4091	
ACTROS MP2 / MP3 3350, 3351	04.2003 -	370	503	15928	3664	3664
ACTROS MP2 / MP3 3351 A	06.2008 -	375	510	15928	4091	
ACTROS MP2 / MP3 3351 AK	04.2003 -	370	503	15928	4091	
ACTROS MP2 / MP3 3351 AS	04.2003 -	370	503	15928	4091	



**MAKE & MODEL****YEAR****KW****PS****CC****MERCEDES-BENZ**

ACTROS MP2 / MP3 3351 K	04.2003 -	370	503	15928	4091	
ACTROS MP2 / MP3 3351 K	04.2003 -	370	503	15928	3664	3664
ACTROS MP2 / MP3 3351 S	04.2003 -	375	510	15928	4091	
ACTROS MP2 / MP3 3351 S	04.2003 -	375	510	15928	3664	3664
ACTROS MP2 / MP3 3354, 3355	04.2003 -	395	537	15928	4091	
ACTROS MP2 / MP3 3354, 3355	04.2003 -	395	537	15928	3664	3664
ACTROS MP2 / MP3 3355 A	04.2003 -	405	551	15928	4091	
ACTROS MP2 / MP3 3355 AK	04.2003 -	405	551	15928	4091	
ACTROS MP2 / MP3 3355 AS	04.2003 -	405	551	15928	4091	
ACTROS MP2 / MP3 3355 S	04.2003 -	405	551	15928	4091	
ACTROS MP2 / MP3 3355 S	04.2003 -	405	551	15928	3664	3664
ACTROS MP2 / MP3 3358	04.2003 -	425	578	15928	4091	
ACTROS MP2 / MP3 3358	04.2003 -	425	578	15928	3664	3664
ACTROS MP2 / MP3 3360	04.2003 -	440	598	15928	4091	
ACTROS MP2 / MP3 3360	04.2003 -	440	598	15928	3664	3664
ACTROS MP2 / MP3 3360 A	04.2003 -	440	598	15928	4091	
ACTROS MP2 / MP3 3360 AK	04.2003 -	440	598	15928	4091	
ACTROS MP2 / MP3 3365 A	04.2003 -	480	653	15928	4091	
ACTROS MP2 / MP3 3550 S	06.2009 -	370	503	15928		4051
ACTROS MP2 / MP3 3550 S	06.2009 -	370	503	15928	4091	
ACTROS MP2 / MP3 3550 S	06.2009 -	370	503	15928	3664	3664
ACTROS MP2 / MP3 4036 K	06.2009 -	265	360	11946	4091	
ACTROS MP2 / MP3 4140 AK	04.2003 -	290	394	11946	4091	
ACTROS MP2 / MP3 4140 B	04.2003 -	290	394	11946	4091	
ACTROS MP2 / MP3 4140 B	04.2003 -	290	394	11946	3664	3664
ACTROS MP2 / MP3 4140 K	04.2003 -	290	394	11946	4091	
ACTROS MP2 / MP3 4140 K	04.2003 -	290	394	11946	3664	3664
ACTROS MP2 / MP3 4141	06.2008 -	300	408	11946		4051
ACTROS MP2 / MP3 4141	06.2008 -	300	408	11946	4091	
ACTROS MP2 / MP3 4141 AK	04.2003 -	300	408	11946	4091	
ACTROS MP2 / MP3 4141 B	04.2003 -	300	408	11946	4091	
ACTROS MP2 / MP3 4141 B	04.2003 -	300	408	11946	3664	3664
ACTROS MP2 / MP3 4141 K	04.2003 -	300	408	11946	4091	
ACTROS MP2 / MP3 4141 K	04.2003 -	300	408	11946	3664	3664
ACTROS MP2 / MP3 4143 AK	04.2003 -	315	428	11946	4091	
ACTROS MP2 / MP3 4143 B	04.2003 -	315	428	11946	4091	
ACTROS MP2 / MP3 4143 B	04.2003 -	315	428	11946	3664	3664
ACTROS MP2 / MP3 4143 K	04.2003 -	315	428	11946	4091	
ACTROS MP2 / MP3 4144 AK	04.2003 -	320	435	11946	4091	
ACTROS MP2 / MP3 4144 B	04.2003 -	320	435	11946	4091	
ACTROS MP2 / MP3 4144 B	04.2003 -	320	435	11946	3664	3664
ACTROS MP2 / MP3 4144 K	04.2003 -	315	428	11946	4091	
ACTROS MP2 / MP3 4144 K	04.2003 -	315	428	11946	3664	3664
ACTROS MP2 / MP3 4144 K	04.2003 -	320	435	11946	4091	
ACTROS MP2 / MP3 4144 K	04.2003 -	320	435	11946	3664	3664
ACTROS MP2 / MP3 4146 AK	04.2003 -	335	456	11946	4091	
ACTROS MP2 / MP3 4146 B	04.2003 -	335	456	11946	4091	
ACTROS MP2 / MP3 4146 B	04.2003 -	335	456	11946	3664	3664
ACTROS MP2 / MP3 4146 K	04.2003 -	335	456	11946	4091	
ACTROS MP2 / MP3 4146 K	04.2003 -	335	456	11946	3664	3664
ACTROS MP2 / MP3 4148 AK	04.2003 -	350	476	11946	4091	4091
ACTROS MP2 / MP3 4148 AK	04.2003 -	350	476	15928	4091	
ACTROS MP2 / MP3 4148 B	04.2003 -	350	476	11946	4091	
ACTROS MP2 / MP3 4148 B	04.2003 -	350	476	11946	3664	3664
ACTROS MP2 / MP3 4148 K	04.2003 -	350	476	11946	4091	
ACTROS MP2 / MP3 4148 K	04.2003 -	350	476	11946	4091	4091
ACTROS MP2 / MP3 4148 K	04.2003 -	350	476	11946	3664	3664
ACTROS MP2 / MP3 4148 K	04.2003 -	350	476	15928	4091	
ACTROS MP2 / MP3 4148 K	04.2003 -	350	476	15928	3664	3664
ACTROS MP2 / MP3 4150 AK	04.2003 -	370	503	15928	4091	
ACTROS MP2 / MP3 4150 K	04.2003 -	370	503	15928	4091	
ACTROS MP2 / MP3 4150 K	04.2003 -	370	503	15928	3664	3664
ACTROS MP2 / MP3 4151 AK	04.2003 -	375	510	15928	4091	
ACTROS MP2 / MP3 4151 K	04.2003 -	375	510	15928	4091	
ACTROS MP2 / MP3 4151 K	05.2005 -	375	510	15928	4091	
ACTROS MP2 / MP3 4151 K	05.2005 -	375	510	15928	3664	3664
ACTROS MP2 / MP3 4154 S	04.2003 -	395	537	15928	4091	

**MAKE & MODEL****YEAR****KW****PS****CC****MERCEDES-BENZ**

ACTROS MP2 / MP3 4155 AK	04.2003 -	405	551	15928	4091	4091
ACTROS MP2 / MP3 4155 K	04.2003 -	405	551	15928	4091	
ACTROS MP2 / MP3 4155 K	04.2003 -	405	551	15928	3664	3664
ACTROS MP2 / MP3 4160 AK	04.2003 -	440	598	15928	4091	4091
ACTROS MP2 / MP3 4160 K	04.2003 -	440	598	15928	4091	
ACTROS MP2 / MP3 4160 K	04.2003 -	440	598	15928	3664	3664
ACTROS MP2 / MP3 4160 S	10.2002 -	448	609	15928	4091	
ACTROS MP2 / MP3 4165 AK	04.2003 -	480	653	15928	4091	4091
ACTROS MP2 / MP3 4165 S	08.2008 -	480	653	15928		4051
ACTROS MP2 / MP3 4165 S	08.2008 -	480	653	15928	4091	
ACTROS MP2 / MP3 4841 K	08.2009 -	300	408	11946	4091	
ACTROS MP2 / MP3 4844 K	08.2009 -	320	435	11946	4091	
ACTROS MP2 / MP3 5041 B	06.2008 -	300	408	11946		4051
ACTROS MP2 / MP3 5041 B	06.2008 -	300	408	11946	4091	
ACTROS MP2 / MP3 5041 B	06.2008 -	300	408	11946	3664	3664
ACTROS MP2 / MP3 5041 K	06.2008 -	300	408	11946	4091	
ACTROS MP2 / MP3 5041 K	06.2008 -	300	408	11946	3664	3664
ACTROS MP2 / MP3 5044 B	06.2008 -	320	435	11946		4051
ACTROS MP2 / MP3 5044 B	06.2008 -	320	435	11946	4091	
ACTROS MP2 / MP3 5044 B	06.2008 -	320	435	11946	3664	3664
ACTROS MP2 / MP3 5044 K	06.2008 -	320	435	11946	4091	
ACTROS MP2 / MP3 5044 K	06.2008 -	320	435	11946	3664	3664
ACTROS MP2 / MP3 5046 B	06.2008 -	335	456	11946		4051
ACTROS MP2 / MP3 5046 B	06.2008 -	335	456	11946	4091	
ACTROS MP2 / MP3 5046 B	06.2008 -	335	456	11946	3664	3664
ACTROS MP2 / MP3 5046 K	06.2008 -	335	456	11946	4091	
ACTROS MP2 / MP3 5046 K	06.2008 -	335	456	11946	3664	3664
ACTROS MP2 / MP3 5048 AK	06.2008 -	350	476	11946		4051
ACTROS MP4 / MP5 1824 L	05.2013 -	175	238	7698	4050	
ACTROS MP4 / MP5 1824 L	07.2011 -	175	238	7698	4050	4051
ACTROS MP4 / MP5 1824 L	07.2011 -	175	238	7698	4266	
ACTROS MP4 / MP5 1824 LS	05.2013 -	175	238	7698	4050	
ACTROS MP4 / MP5 1824 LS	07.2011 -	175	238	7698	4050	4051
ACTROS MP4 / MP5 1824 LS	07.2011 -	175	238	7698	4266	
ACTROS MP4 / MP5 1827 L	05.2013 -	200	272	7698	4050	
ACTROS MP4 / MP5 1827 L	07.2011 -	200	272	7698	4050	4051
ACTROS MP4 / MP5 1827 L	07.2011 -	200	272	7698	4266	
ACTROS MP4 / MP5 1827 LS	05.2013 -	200	272	7698	4050	
ACTROS MP4 / MP5 1827 LS	07.2011 -	200	272	7698	4050	4051
ACTROS MP4 / MP5 1827 LS	07.2011 -	200	272	7698	4266	
ACTROS MP4 / MP5 1830 L	05.2013 -	220	299	7698	4050	
ACTROS MP4 / MP5 1830 L	07.2011 -	220	299	7698	4050	4051
ACTROS MP4 / MP5 1830 L	07.2011 -	220	299	7698	4266	
ACTROS MP4 / MP5 1830 L CNG	01.2019 -	222	302	7698	4050	
ACTROS MP4 / MP5 1830 LS	05.2013 -	220	299	7698	4050	
ACTROS MP4 / MP5 1830 LS	07.2011 -	220	299	7698	4050	4051
ACTROS MP4 / MP5 1830 LS	07.2011 -	220	299	7698	4266	
ACTROS MP4 / MP5 1832 L	05.2013 -	235	320	7698	4050	
ACTROS MP4 / MP5 1832 L	07.2011 -	235	320	7698	4050	4051
ACTROS MP4 / MP5 1832 L	07.2011 -	235	320	7698	4266	
ACTROS MP4 / MP5 1832 LS	05.2013 -	235	320	7698	4050	
ACTROS MP4 / MP5 1832 LS	07.2011 -	235	320	7698	4050	4051
ACTROS MP4 / MP5 1832 LS	07.2011 -	235	320	7698	4266	
ACTROS MP4 / MP5 1833 L	05.2013 -	240	326	10677	4050	
ACTROS MP4 / MP5 1833 L	05.2013 -	240	326	10677	4266	
ACTROS MP4 / MP5 1833 L	07.2011 -	240	326	10677	4050	4051
ACTROS MP4 / MP5 1833 L	07.2011 -	240	326	10677	4266	
ACTROS MP4 / MP5 1833 LS	05.2013 -	240	326	10677	4050	
ACTROS MP4 / MP5 1833 LS	05.2013 -	240	326	10677	4266	
ACTROS MP4 / MP5 1833 LS	07.2011 -	240	326	10677	4050	4051
ACTROS MP4 / MP5 1833 LS	07.2011 -	240	326	10677	4266	
ACTROS MP4 / MP5 1835 L	05.2013 -	260	354	7698	4050	
ACTROS MP4 / MP5 1835 L	07.2011 -	260	354	7698	4050	4051
ACTROS MP4 / MP5 1835 L	07.2011 -	260	354	7698	4266	
ACTROS MP4 / MP5 1835 LS	05.2013 -	260	354	7698	4050	
ACTROS MP4 / MP5 1835 LS	07.2011 -	260	354	7698	4050	4051
ACTROS MP4 / MP5 1835 LS	07.2011 -	260	354	7698	4266	

**MAKE & MODEL****YEAR****KW****PS****CC****MERCEDES-BENZ**

ACTROS MP4 / MP5 1836 L	05.2013 -	265	360	10677	4050	
ACTROS MP4 / MP5 1836 L	05.2013 -	265	360	10677	4266	
ACTROS MP4 / MP5 1836 L	07.2011 -	265	360	10677	4050	4051
ACTROS MP4 / MP5 1836 L	07.2011 -	265	360	10677	4266	
ACTROS MP4 / MP5 1836 LS	05.2013 -	265	360	10677	4050	
ACTROS MP4 / MP5 1836 LS	05.2013 -	265	360	10677	4266	
ACTROS MP4 / MP5 1836 LS	07.2011 -	265	360	10677	4050	4051
ACTROS MP4 / MP5 1836 LS	07.2011 -	265	360	10677	4266	
ACTROS MP4 / MP5 1840 L	05.2013 -	290	394	10677	4050	
ACTROS MP4 / MP5 1840 L	05.2013 -	290	394	10677	4266	
ACTROS MP4 / MP5 1840 L	07.2011 -	290	394	10677	4050	4051
ACTROS MP4 / MP5 1840 L	07.2011 -	290	394	10677	4266	
ACTROS MP4 / MP5 1840 LS	05.2013 -	290	394	10677	4050	
ACTROS MP4 / MP5 1840 LS	05.2013 -	290	394	10677	4266	
ACTROS MP4 / MP5 1840 LS	07.2011 -	290	394	10677	4050	4051
ACTROS MP4 / MP5 1840 LS	07.2011 -	290	394	10677	4266	
ACTROS MP4 / MP5 1842 L	05.2013 -	310	421	12809	4050	
ACTROS MP4 / MP5 1842 L	05.2013 -	310	421	12809	4266	
ACTROS MP4 / MP5 1842 L	07.2011 -	310	422	12809	4050	4051
ACTROS MP4 / MP5 1842 L	07.2011 -	310	422	12809	4266	
ACTROS MP4 / MP5 1842 LS	05.2013 -	310	421	12809	4050	
ACTROS MP4 / MP5 1842 LS	05.2013 -	310	421	12809	4266	
ACTROS MP4 / MP5 1842 LS	07.2011 -	310	422	12809	4050	4051
ACTROS MP4 / MP5 1842 LS	07.2011 -	310	422	12809	4266	
ACTROS MP4 / MP5 1843 L	05.2013 -	315	428	10677	4050	
ACTROS MP4 / MP5 1843 L	05.2013 -	315	428	10677	4266	
ACTROS MP4 / MP5 1843 L	07.2011 -	315	428	10677	4050	4051
ACTROS MP4 / MP5 1843 L	07.2011 -	315	428	10677	4266	
ACTROS MP4 / MP5 1843 LS	05.2013 -	315	428	10677	4050	
ACTROS MP4 / MP5 1843 LS	05.2013 -	315	428	10677	4266	
ACTROS MP4 / MP5 1843 LS	07.2011 -	315	428	10677	4050	4051
ACTROS MP4 / MP5 1843 LS	07.2011 -	315	428	10677	4266	
ACTROS MP4 / MP5 1845 L	05.2013 -	330	449	12809	4050	
ACTROS MP4 / MP5 1845 L	05.2013 -	330	449	12809	4266	
ACTROS MP4 / MP5 1845 L	07.2011 -	330	449	12809	4050	4051
ACTROS MP4 / MP5 1845 L	07.2011 -	330	449	12809	4266	
ACTROS MP4 / MP5 1845 LS	05.2013 -	330	449	12809	4050	
ACTROS MP4 / MP5 1845 LS	05.2013 -	330	449	12809	4266	
ACTROS MP4 / MP5 1845 LS	07.2011 -	330	449	12809	4050	4051
ACTROS MP4 / MP5 1845 LS	07.2011 -	330	449	12809	4266	
ACTROS MP4 / MP5 1846 L	07.2015 -	335	455	10677	4050	
ACTROS MP4 / MP5 1846 LS	07.2015 -	335	455	10677	4050	
ACTROS MP4 / MP5 1848 L	05.2013 -	350	476	12809	4050	
ACTROS MP4 / MP5 1848 L	05.2013 -	350	476	12809	4266	
ACTROS MP4 / MP5 1848 L	07.2011 -	350	476	12809	4050	4051
ACTROS MP4 / MP5 1848 L	07.2011 -	350	476	12809	4266	
ACTROS MP4 / MP5 1848 LS	05.2013 -	350	476	12809	4050	
ACTROS MP4 / MP5 1848 LS	05.2013 -	350	476	12809	4266	
ACTROS MP4 / MP5 1848 LS	07.2011 -	350	476	12809	4050	4051
ACTROS MP4 / MP5 1848 LS	07.2011 -	350	476	12809	4266	
ACTROS MP4 / MP5 1851 L	05.2013 -	375	510	12809	4050	
ACTROS MP4 / MP5 1851 L	05.2013 -	375	510	12809	4266	
ACTROS MP4 / MP5 1851 L	07.2011 -	375	510	12809	4050	4051
ACTROS MP4 / MP5 1851 L	07.2011 -	375	510	12809	4266	
ACTROS MP4 / MP5 1851 LS	05.2013 -	375	510	12809	4050	
ACTROS MP4 / MP5 1851 LS	05.2013 -	375	510	12809	4266	
ACTROS MP4 / MP5 1851 LS	07.2011 -	375	510	12809	4050	4051
ACTROS MP4 / MP5 1851 LS	07.2011 -	375	510	12809	4266	
ACTROS MP4 / MP5 1852 L	01.2014 -	380	517	15569	4050	4051
ACTROS MP4 / MP5 1852 L	01.2014 -	380	517	15569	4266	
ACTROS MP4 / MP5 1852 L	05.2013 -	380	517	15569	4050	
ACTROS MP4 / MP5 1852 LS	01.2014 -	380	517	15569	4050	4051
ACTROS MP4 / MP5 1852 LS	01.2014 -	380	517	15569	4266	
ACTROS MP4 / MP5 1852 LS	05.2013 -	380	517	15569	4050	
ACTROS MP4 / MP5 1853 L	07.2015 -	390	530	12809	4050	
ACTROS MP4 / MP5 1853 LS	07.2015 -	390	530	12809	4050	
ACTROS MP4 / MP5 1858 L	01.2014 -	425	578	15569	4050	4051

**MAKE & MODEL****YEAR****KW****PS****CC****MERCEDES-BENZ**

ACTROS MP4 / MP5 1858 L	01.2014 -	425	578	15569	4266	
ACTROS MP4 / MP5 1858 L	05.2013 -	425	578	15569	4050	
ACTROS MP4 / MP5 1858 LS	01.2014 -	425	578	15569	4050	4051
ACTROS MP4 / MP5 1858 LS	01.2014 -	425	578	15569	4266	
ACTROS MP4 / MP5 1858 LS	05.2013 -	425	578	15569	4050	
ACTROS MP4 / MP5 1863 L	01.2014 -	460	626	15569	4050	4051
ACTROS MP4 / MP5 1863 L	01.2014 -	460	626	15569	4266	
ACTROS MP4 / MP5 1863 L	05.2013 -	460	625	15569	4050	
ACTROS MP4 / MP5 1863 LS	01.2014 -	460	626	15569	4050	4051
ACTROS MP4 / MP5 1863 LS	01.2014 -	460	626	15569	4266	
ACTROS MP4 / MP5 1863 LS	05.2013 -	460	625	15569	4050	
ACTROS MP4 / MP5 2024 L	05.2013 -	175	238	7698	4050	
ACTROS MP4 / MP5 2024 L	07.2011 -	175	238	7698	4050	4051
ACTROS MP4 / MP5 2024 L	07.2011 -	175	238	7698	4266	
ACTROS MP4 / MP5 2024 LS	05.2013 -	175	238	7698	4050	
ACTROS MP4 / MP5 2024 LS	07.2011 -	175	238	7698	4050	4051
ACTROS MP4 / MP5 2027 L	05.2013 -	200	272	7698	4050	
ACTROS MP4 / MP5 2027 L	07.2011 -	200	272	7698	4050	4051
ACTROS MP4 / MP5 2027 L	07.2011 -	200	272	7698	4266	
ACTROS MP4 / MP5 2027 LS	05.2013 -	200	272	7698	4050	
ACTROS MP4 / MP5 2027 LS	07.2011 -	200	272	7698	4050	4051
ACTROS MP4 / MP5 2027 LS	07.2011 -	200	272	7698	4266	
ACTROS MP4 / MP5 2030 L	05.2013 -	220	299	7698	4050	
ACTROS MP4 / MP5 2030 L	07.2011 -	220	299	7698	4050	4051
ACTROS MP4 / MP5 2030 L	07.2011 -	220	299	7698	4266	
ACTROS MP4 / MP5 2030 LS	05.2013 -	220	299	7698	4050	
ACTROS MP4 / MP5 2030 LS	07.2011 -	220	299	7698	4050	4051
ACTROS MP4 / MP5 2030 LS	07.2011 -	220	299	7698	4266	
ACTROS MP4 / MP5 2032 L	05.2013 -	235	320	7698	4050	
ACTROS MP4 / MP5 2032 L	07.2011 -	235	320	7698	4050	4051
ACTROS MP4 / MP5 2032 L	07.2011 -	235	320	7698	4266	
ACTROS MP4 / MP5 2032 LS	05.2013 -	235	320	7698	4050	
ACTROS MP4 / MP5 2032 LS	07.2011 -	235	320	7698	4050	4051
ACTROS MP4 / MP5 2032 LS	07.2011 -	235	320	7698	4266	
ACTROS MP4 / MP5 2033 L	05.2013 -	240	326	10677	4050	
ACTROS MP4 / MP5 2033 L	05.2013 -	240	326	10677	4266	
ACTROS MP4 / MP5 2033 L	07.2011 -	240	326	10677	4050	4051
ACTROS MP4 / MP5 2033 L	07.2011 -	240	326	10677	4266	
ACTROS MP4 / MP5 2033 LS	05.2013 -	240	326	10677	4050	
ACTROS MP4 / MP5 2033 LS	05.2013 -	240	326	10677	4266	
ACTROS MP4 / MP5 2033 LS	07.2011 -	240	326	10677	4050	4051
ACTROS MP4 / MP5 2033 LS	07.2011 -	240	326	10677	4266	
ACTROS MP4 / MP5 2035 L	05.2013 -	260	354	7698	4050	
ACTROS MP4 / MP5 2035 L	07.2011 -	260	354	7698	4050	
ACTROS MP4 / MP5 2035 L	07.2011 -	260	354	7698	4266	
ACTROS MP4 / MP5 2035 LS	05.2013 -	260	354	7698	4050	
ACTROS MP4 / MP5 2035 LS	07.2011 -	260	354	7698	4050	4051
ACTROS MP4 / MP5 2035 LS	07.2011 -	260	354	7698	4266	
ACTROS MP4 / MP5 2036 L	05.2013 -	265	360	10677	4050	
ACTROS MP4 / MP5 2036 L	05.2013 -	265	360	10677	4266	
ACTROS MP4 / MP5 2036 L	07.2011 -	265	360	10677	4050	4051
ACTROS MP4 / MP5 2036 L	07.2011 -	265	360	10677	4266	
ACTROS MP4 / MP5 2036 LS	05.2013 -	265	360	10677	4050	
ACTROS MP4 / MP5 2036 LS	05.2013 -	265	360	10677	4266	
ACTROS MP4 / MP5 2036 LS	07.2011 -	265	360	10677	4050	4051
ACTROS MP4 / MP5 2036 LS	07.2011 -	265	360	10677	4266	
ACTROS MP4 / MP5 2040 L	05.2013 -	290	394	10677	4050	
ACTROS MP4 / MP5 2040 L	05.2013 -	290	394	10677	4266	
ACTROS MP4 / MP5 2040 L	07.2011 -	290	394	10677	4050	4051
ACTROS MP4 / MP5 2040 L	07.2011 -	290	394	10677	4266	
ACTROS MP4 / MP5 2040 LS	05.2013 -	290	394	10677	4050	
ACTROS MP4 / MP5 2040 LS	05.2013 -	290	394	10677	4266	
ACTROS MP4 / MP5 2040 LS	07.2011 -	290	394	10677	4050	4051
ACTROS MP4 / MP5 2040 LS	07.2011 -	290	394	10677	4266	
ACTROS MP4 / MP5 2042 L	05.2013 -	310	421	12809	4050	
ACTROS MP4 / MP5 2042 L	05.2013 -	310	421	12809	4266	
ACTROS MP4 / MP5 2042 L	07.2011 -	310	422	12809	4050	4051

**MAKE & MODEL****YEAR****KW****PS****CC****MERCEDES-BENZ**

ACTROS MP4 / MP5 2042 L	07.2011 -	310	422	12809	4266	
ACTROS MP4 / MP5 2042 LS	05.2013 -	310	421	12809	4050	
ACTROS MP4 / MP5 2042 LS	05.2013 -	310	421	12809	4266	
ACTROS MP4 / MP5 2042 LS	07.2011 -	310	422	12809	4050	4051
ACTROS MP4 / MP5 2042 LS	07.2011 -	310	422	12809	4266	
ACTROS MP4 / MP5 2043 L	05.2013 -	315	428	10677	4050	
ACTROS MP4 / MP5 2043 L	05.2013 -	315	428	10677	4266	
ACTROS MP4 / MP5 2043 L	07.2011 -	315	428	10677	4050	4051
ACTROS MP4 / MP5 2043 L	07.2011 -	315	428	10677	4266	
ACTROS MP4 / MP5 2043 LS	05.2013 -	315	428	10677	4050	
ACTROS MP4 / MP5 2043 LS	05.2013 -	315	428	10677	4266	
ACTROS MP4 / MP5 2043 LS	07.2011 -	315	428	10677	4050	4051
ACTROS MP4 / MP5 2043 LS	07.2011 -	315	428	10677	4266	
ACTROS MP4 / MP5 2045 L	05.2013 -	330	449	12809	4050	
ACTROS MP4 / MP5 2045 L	05.2013 -	330	449	12809	4266	
ACTROS MP4 / MP5 2045 L	07.2011 -	330	449	12809	4050	4051
ACTROS MP4 / MP5 2045 L	07.2011 -	330	449	12809	4266	
ACTROS MP4 / MP5 2045 LS	05.2013 -	330	449	12809	4050	
ACTROS MP4 / MP5 2045 LS	05.2013 -	330	449	12809	4266	
ACTROS MP4 / MP5 2045 LS	07.2011 -	330	449	12809	4050	4051
ACTROS MP4 / MP5 2045 LS	07.2011 -	330	449	12809	4266	
ACTROS MP4 / MP5 2046 L	07.2015 -	335	455	10677	4050	
ACTROS MP4 / MP5 2046 LS	07.2015 -	335	455	10677	4050	
ACTROS MP4 / MP5 2048 L	05.2013 -	350	476	12809	4050	
ACTROS MP4 / MP5 2048 L	05.2013 -	350	476	12809	4266	
ACTROS MP4 / MP5 2048 L	07.2011 -	350	476	12809	4050	4051
ACTROS MP4 / MP5 2048 L	07.2011 -	350	476	12809	4266	
ACTROS MP4 / MP5 2048 LS	05.2013 -	350	476	12809	4050	
ACTROS MP4 / MP5 2048 LS	05.2013 -	350	476	12809	4266	
ACTROS MP4 / MP5 2048 LS	07.2011 -	350	476	12809	4050	4051
ACTROS MP4 / MP5 2048 LS	07.2011 -	350	476	12809	4266	
ACTROS MP4 / MP5 2051 L	05.2013 -	375	510	12809	4050	
ACTROS MP4 / MP5 2051 L	05.2013 -	375	510	12809	4266	
ACTROS MP4 / MP5 2051 L	07.2011 -	375	510	12809	4050	4051
ACTROS MP4 / MP5 2051 L	07.2011 -	375	510	12809	4266	
ACTROS MP4 / MP5 2051 LS	05.2013 -	375	510	12809	4050	
ACTROS MP4 / MP5 2051 LS	05.2013 -	375	510	12809	4266	
ACTROS MP4 / MP5 2051 LS	07.2011 -	375	510	12809	4050	4051
ACTROS MP4 / MP5 2051 LS	07.2011 -	375	510	12809	4266	
ACTROS MP4 / MP5 2052 L	05.2013 -	380	517	15569	4050	
ACTROS MP4 / MP5 2052 L	07.2011 -	380	517	15569	4050	
ACTROS MP4 / MP5 2052 L	07.2011 -	380	517	15569	4266	
ACTROS MP4 / MP5 2052 LS	05.2013 -	380	517	15569	4050	
ACTROS MP4 / MP5 2052 LS	07.2011 -	380	517	15569	4050	
ACTROS MP4 / MP5 2052 LS	07.2011 -	380	517	15569	4266	
ACTROS MP4 / MP5 2053 L	07.2015 -	390	530	12809	4050	
ACTROS MP4 / MP5 2053 LS	07.2015 -	390	530	12809	4050	
ACTROS MP4 / MP5 2058 L	05.2013 -	425	578	15569	4050	
ACTROS MP4 / MP5 2058 L	07.2011 -	425	578	15569	4050	
ACTROS MP4 / MP5 2058 L	07.2011 -	425	578	15569	4266	
ACTROS MP4 / MP5 2058 LS	05.2013 -	425	578	15569	4050	
ACTROS MP4 / MP5 2058 LS	07.2011 -	425	578	15569	4050	
ACTROS MP4 / MP5 2058 LS	07.2011 -	425	578	15569	4266	
ACTROS MP4 / MP5 2063 L	05.2013 -	460	625	15569	4050	
ACTROS MP4 / MP5 2063 L	07.2011 -	460	625	15569	4050	
ACTROS MP4 / MP5 2063 L	07.2011 -	460	625	15569	4266	
ACTROS MP4 / MP5 2063 LS	05.2013 -	460	625	15569	4050	
ACTROS MP4 / MP5 2063 LS	07.2011 -	460	625	15569	4050	
ACTROS MP4 / MP5 2063 LS	07.2011 -	460	625	15569	4266	
ACTROS MP4 / MP5 2424 LS	07.2011 -	175	238	7698	4050	
ACTROS MP4 / MP5 2427 LS	07.2011 -	200	272	7698	4050	4051
ACTROS MP4 / MP5 2427 LS	07.2011 -	200	272	7698	4266	
ACTROS MP4 / MP5 2430 LS	07.2011 -	220	299	7698	4050	4051
ACTROS MP4 / MP5 2430 LS	07.2011 -	220	299	7698	4266	
ACTROS MP4 / MP5 2432 LS	07.2011 -	235	320	7698	4050	4051
ACTROS MP4 / MP5 2432 LS	07.2011 -	235	320	7698	4266	
ACTROS MP4 / MP5 2433 LS	07.2011 -	240	326	10677	4050	4051



**MAKE & MODEL****YEAR****KW****PS****CC****MERCEDES-BENZ**

ACTROS MP4 / MP5 2433 LS	07.2011 -	240	326	10677	4266	
ACTROS MP4 / MP5 2435 LS	07.2011 -	260	354	7698	4050	4051
ACTROS MP4 / MP5 2435 LS	07.2011 -	260	354	7698	4266	
ACTROS MP4 / MP5 2436 LS	07.2011 -	265	360	10677	4050	4051
ACTROS MP4 / MP5 2436 LS	07.2011 -	265	360	10677	4266	
ACTROS MP4 / MP5 2440 LS	07.2011 -	290	394	10677	4050	4051
ACTROS MP4 / MP5 2440 LS	07.2011 -	290	394	10677	4266	
ACTROS MP4 / MP5 2442 LS	07.2011 -	310	422	12809	4050	4051
ACTROS MP4 / MP5 2442 LS	07.2011 -	310	422	12809	4266	
ACTROS MP4 / MP5 2443 LS	07.2011 -	315	428	10677	4050	4051
ACTROS MP4 / MP5 2443 LS	07.2011 -	315	428	10677	4266	
ACTROS MP4 / MP5 2445 LS	07.2011 -	330	449	12809	4050	4051
ACTROS MP4 / MP5 2445 LS	07.2011 -	330	449	12809	4266	
ACTROS MP4 / MP5 2446 LS	07.2015 -	335	455	10677	4050	
ACTROS MP4 / MP5 2448 LS	07.2011 -	350	476	12809	4050	4051
ACTROS MP4 / MP5 2448 LS	07.2011 -	350	476	12809	4266	
ACTROS MP4 / MP5 2451 LS	07.2011 -	375	510	12809	4050	4051
ACTROS MP4 / MP5 2451 LS	07.2011 -	375	510	12809	4266	
ACTROS MP4 / MP5 2452 LS	07.2011 -	380	517	15569	4050	
ACTROS MP4 / MP5 2452 LS	07.2011 -	380	517	15569	4266	
ACTROS MP4 / MP5 2453 LS	07.2015 -	390	530	12809	4050	
ACTROS MP4 / MP5 2458 LS	07.2011 -	425	578	15569	4050	
ACTROS MP4 / MP5 2458 LS	07.2011 -	425	578	15569	4266	
ACTROS MP4 / MP5 2463 LS	07.2011 -	460	625	15569	4050	
ACTROS MP4 / MP5 2463 LS	07.2011 -	460	625	15569	4266	
ACTROS MP4 / MP5 2524 L	05.2013 -	175	238	7698	4050	
ACTROS MP4 / MP5 2524 L	07.2011 -	175	238	7698	4050	
ACTROS MP4 / MP5 2524 LS	05.2013 -	175	238	7698	4050	
ACTROS MP4 / MP5 2524 LS	07.2011 -	175	238	7698	4050	
ACTROS MP4 / MP5 2527 L	05.2013 -	200	272	7698	4050	
ACTROS MP4 / MP5 2527 L	07.2011 -	200	272	7698	4050	4051
ACTROS MP4 / MP5 2527 L	07.2011 -	200	272	7698	4266	
ACTROS MP4 / MP5 2527 LS	05.2013 -	200	272	7698	4050	
ACTROS MP4 / MP5 2527 LS	07.2011 -	200	272	7698	4050	4051
ACTROS MP4 / MP5 2527 LS	07.2011 -	200	272	7698	4266	
ACTROS MP4 / MP5 2530 L	05.2013 -	220	299	7698	4050	
ACTROS MP4 / MP5 2530 L	07.2011 -	220	299	7698	4050	4051
ACTROS MP4 / MP5 2530 L	07.2011 -	220	299	7698	4266	
ACTROS MP4 / MP5 2530 L CNG	01.2019 -	222	302	7698	4050	
ACTROS MP4 / MP5 2530 LS	05.2013 -	220	299	7698	4050	
ACTROS MP4 / MP5 2530 LS	07.2011 -	220	299	7698	4050	4051
ACTROS MP4 / MP5 2530 LS	07.2011 -	220	299	7698	4266	
ACTROS MP4 / MP5 2532 L	05.2013 -	235	320	7698	4050	
ACTROS MP4 / MP5 2532 L	07.2011 -	235	320	7698	4050	4051
ACTROS MP4 / MP5 2532 L	07.2011 -	235	320	7698	4266	
ACTROS MP4 / MP5 2532 LS	05.2013 -	235	320	7698	4050	
ACTROS MP4 / MP5 2532 LS	07.2011 -	235	320	7698	4050	4051
ACTROS MP4 / MP5 2532 LS	07.2011 -	235	320	7698	4266	
ACTROS MP4 / MP5 2533 L	05.2013 -	240	326	10677	4050	
ACTROS MP4 / MP5 2533 L	05.2013 -	240	326	10677	4266	
ACTROS MP4 / MP5 2533 L	07.2011 -	240	326	10677	4050	4051
ACTROS MP4 / MP5 2533 L	07.2011 -	240	326	10677	4266	
ACTROS MP4 / MP5 2533 LS	05.2013 -	240	326	10677	4050	
ACTROS MP4 / MP5 2533 LS	05.2013 -	240	326	10677	4266	
ACTROS MP4 / MP5 2533 LS	07.2011 -	240	326	10677	4050	4051
ACTROS MP4 / MP5 2533 LS	07.2011 -	240	326	10677	4266	
ACTROS MP4 / MP5 2535 L	05.2013 -	260	354	7698	4050	
ACTROS MP4 / MP5 2535 L	07.2011 -	260	354	7698	4050	4051
ACTROS MP4 / MP5 2535 L	07.2011 -	260	354	7698	4266	
ACTROS MP4 / MP5 2535 LS	05.2013 -	260	354	7698	4050	
ACTROS MP4 / MP5 2535 LS	07.2011 -	260	354	7698	4050	4051
ACTROS MP4 / MP5 2535 LS	07.2011 -	260	354	7698	4266	
ACTROS MP4 / MP5 2536 L	05.2013 -	265	360	10677	4050	
ACTROS MP4 / MP5 2536 L	05.2013 -	265	360	10677	4266	
ACTROS MP4 / MP5 2536 L	07.2011 -	265	360	10677	4050	4051
ACTROS MP4 / MP5 2536 L	07.2011 -	265	360	10677	4266	
ACTROS MP4 / MP5 2536 LS	05.2013 -	265	360	10677	4050	



**MAKE & MODEL****YEAR****KW****PS****CC****MERCEDES-BENZ**

ACTROS MP4 / MP5 2536 LS	05.2013 -	265	360	10677	4266	
ACTROS MP4 / MP5 2536 LS	07.2011 -	265	360	10677	4050	4051
ACTROS MP4 / MP5 2536 LS	07.2011 -	265	360	10677	4266	
ACTROS MP4 / MP5 2540 L	05.2013 -	290	394	10677	4050	
ACTROS MP4 / MP5 2540 L	05.2013 -	290	394	10677	4266	
ACTROS MP4 / MP5 2540 L	07.2011 -	290	394	10677	4050	4051
ACTROS MP4 / MP5 2540 L	07.2011 -	290	394	10677	4266	
ACTROS MP4 / MP5 2540 LS	05.2013 -	290	394	10677	4050	
ACTROS MP4 / MP5 2540 LS	05.2013 -	290	394	10677	4266	
ACTROS MP4 / MP5 2540 LS	07.2011 -	290	394	10677	4050	4051
ACTROS MP4 / MP5 2540 LS	07.2011 -	290	394	10677	4266	
ACTROS MP4 / MP5 2542 L	05.2013 -	310	421	12809	4050	
ACTROS MP4 / MP5 2542 L	05.2013 -	310	421	12809	4266	
ACTROS MP4 / MP5 2542 L	07.2011 -	310	421	12809	4050	
ACTROS MP4 / MP5 2542 L	07.2011 -	310	421	12809	4266	
ACTROS MP4 / MP5 2542 L	07.2011 -	310	422	12809	4050	4051
ACTROS MP4 / MP5 2542 L	07.2011 -	310	422	12809	4266	
ACTROS MP4 / MP5 2542 LS	05.2013 -	310	421	12809	4050	
ACTROS MP4 / MP5 2542 LS	05.2013 -	310	421	12809	4266	
ACTROS MP4 / MP5 2542 LS	07.2011 -	310	421	12809	4050	
ACTROS MP4 / MP5 2542 LS	07.2011 -	310	422	12809	4050	4051
ACTROS MP4 / MP5 2542 LS	07.2011 -	310	422	12809	4266	
ACTROS MP4 / MP5 2543 L	05.2013 -	315	428	10677	4050	
ACTROS MP4 / MP5 2543 L	05.2013 -	315	428	10677	4266	
ACTROS MP4 / MP5 2543 L	07.2011 -	315	428	10677	4050	4051
ACTROS MP4 / MP5 2543 L	07.2011 -	315	428	10677	4266	
ACTROS MP4 / MP5 2543 LS	05.2013 -	315	428	10677	4050	
ACTROS MP4 / MP5 2543 LS	05.2013 -	315	428	10677	4266	
ACTROS MP4 / MP5 2543 LS	07.2011 -	315	428	10677	4050	4051
ACTROS MP4 / MP5 2543 LS	07.2011 -	315	428	10677	4266	
ACTROS MP4 / MP5 2545 L	05.2013 -	330	449	12809	4050	
ACTROS MP4 / MP5 2545 L	05.2013 -	330	449	12809	4266	
ACTROS MP4 / MP5 2545 L	07.2011 -	330	449	12809	4050	4051
ACTROS MP4 / MP5 2545 L	07.2011 -	330	449	12809	4266	
ACTROS MP4 / MP5 2545 LS	05.2013 -	330	449	12809	4050	
ACTROS MP4 / MP5 2545 LS	05.2013 -	330	449	12809	4266	
ACTROS MP4 / MP5 2545 LS	07.2011 -	330	449	12809	4050	4051
ACTROS MP4 / MP5 2545 LS	07.2011 -	330	449	12809	4266	
ACTROS MP4 / MP5 2546 L	07.2015 -	335	455	10677	4050	
ACTROS MP4 / MP5 2546 LS	07.2015 -	335	455	10677	4050	
ACTROS MP4 / MP5 2548 L	05.2013 -	350	476	12809	4050	
ACTROS MP4 / MP5 2548 L	07.2011 -	350	476	12809	4050	4051
ACTROS MP4 / MP5 2548 L	07.2011 -	350	476	12809	4266	
ACTROS MP4 / MP5 2548 LS	05.2013 -	350	476	12809	4050	
ACTROS MP4 / MP5 2548 LS	07.2011 -	350	476	12809	4050	4051
ACTROS MP4 / MP5 2548 LS	07.2011 -	350	476	12809	4266	
ACTROS MP4 / MP5 2551 L	05.2013 -	375	510	12809	4050	
ACTROS MP4 / MP5 2551 L	05.2013 -	375	510	12809	4266	
ACTROS MP4 / MP5 2551 L	07.2011 -	375	510	12809	4050	4051
ACTROS MP4 / MP5 2551 L	07.2011 -	375	510	12809	4266	
ACTROS MP4 / MP5 2551 LS	05.2013 -	375	510	12809	4050	
ACTROS MP4 / MP5 2551 LS	05.2013 -	375	510	12809	4266	
ACTROS MP4 / MP5 2551 LS	07.2011 -	375	510	12809	4050	4051
ACTROS MP4 / MP5 2551 LS	07.2011 -	375	510	12809	4266	
ACTROS MP4 / MP5 2552 L	05.2013 -	380	517	15569	4050	
ACTROS MP4 / MP5 2552 L	07.2011 -	380	517	15569	4050	
ACTROS MP4 / MP5 2552 L	07.2011 -	380	517	15569	4266	
ACTROS MP4 / MP5 2552 LS	05.2013 -	380	517	15569	4050	
ACTROS MP4 / MP5 2552 LS	07.2011 -	380	517	15569	4050	
ACTROS MP4 / MP5 2552 LS	07.2011 -	380	517	15569	4266	
ACTROS MP4 / MP5 2553 L	07.2015 -	390	530	12809	4050	
ACTROS MP4 / MP5 2553 LS	07.2015 -	390	530	12809	4050	
ACTROS MP4 / MP5 2558 L	05.2013 -	425	578	15569	4050	
ACTROS MP4 / MP5 2558 L	07.2011 -	425	578	15569	4050	
ACTROS MP4 / MP5 2558 L	07.2011 -	425	578	15569	4266	
ACTROS MP4 / MP5 2558 LS	05.2013 -	425	578	15569	4050	

**MAKE & MODEL****YEAR****KW****PS****CC****MERCEDES-BENZ**

ACTROS MP4 / MP5 2558 LS	07.2011 -	425	578	15569	4050	
ACTROS MP4 / MP5 2558 LS	07.2011 -	425	578	15569	4266	
ACTROS MP4 / MP5 2563 L	05.2013 -	460	625	15569	4050	
ACTROS MP4 / MP5 2563 L	07.2011 -	460	625	15569	4050	
ACTROS MP4 / MP5 2563 L	07.2011 -	460	625	15569	4266	
ACTROS MP4 / MP5 2563 LS	05.2013 -	460	625	15569	4050	
ACTROS MP4 / MP5 2563 LS	07.2011 -	460	625	15569	4050	
ACTROS MP4 / MP5 2563 LS	07.2011 -	460	625	15569	4266	
ACTROS MP4 / MP5 2624 L	05.2013 -	175	238	7698	4050	
ACTROS MP4 / MP5 2624 L	07.2011 -	175	238	7698	4050	
ACTROS MP4 / MP5 2624 LS	05.2013 -	175	238	7698	4050	
ACTROS MP4 / MP5 2624 LS	07.2011 -	175	238	7698	4050	
ACTROS MP4 / MP5 2627 L	05.2013 -	200	272	7698	4050	
ACTROS MP4 / MP5 2627 L	07.2011 -	200	272	7698	4050	4051
ACTROS MP4 / MP5 2627 L	07.2011 -	200	272	7698	4266	
ACTROS MP4 / MP5 2627 LS	05.2013 -	200	272	7698	4050	
ACTROS MP4 / MP5 2627 LS	07.2011 -	200	272	7698	4050	4051
ACTROS MP4 / MP5 2627 LS	07.2011 -	200	272	7698	4266	
ACTROS MP4 / MP5 2630 L	05.2013 -	220	299	7698	4050	
ACTROS MP4 / MP5 2630 L	07.2011 -	220	299	7698	4050	4051
ACTROS MP4 / MP5 2630 L	07.2011 -	220	299	7698	4266	
ACTROS MP4 / MP5 2630 LS	05.2013 -	220	299	7698	4050	
ACTROS MP4 / MP5 2630 LS	07.2011 -	220	299	7698	4050	4051
ACTROS MP4 / MP5 2630 LS	07.2011 -	220	299	7698	4266	
ACTROS MP4 / MP5 2632 L	05.2013 -	235	320	7698	4050	
ACTROS MP4 / MP5 2632 L	07.2011 -	235	320	7698	4050	4051
ACTROS MP4 / MP5 2632 L	07.2011 -	235	320	7698	4266	
ACTROS MP4 / MP5 2632 LS	05.2013 -	235	320	7698	4050	
ACTROS MP4 / MP5 2632 LS	07.2011 -	235	320	7698	4050	4051
ACTROS MP4 / MP5 2632 LS	07.2011 -	235	320	7698	4266	
ACTROS MP4 / MP5 2633 L	05.2013 -	240	326	10677	4050	
ACTROS MP4 / MP5 2633 L	05.2013 -	240	326	10677	4266	
ACTROS MP4 / MP5 2633 L	07.2011 -	240	326	10677	4050	4051
ACTROS MP4 / MP5 2633 L	07.2011 -	240	326	10677	4266	
ACTROS MP4 / MP5 2633 LS	05.2013 -	240	326	10677	4050	
ACTROS MP4 / MP5 2633 LS	05.2013 -	240	326	10677	4266	
ACTROS MP4 / MP5 2633 LS	07.2011 -	240	326	10677	4050	4051
ACTROS MP4 / MP5 2633 LS	07.2011 -	240	326	10677	4266	
ACTROS MP4 / MP5 2635 L	05.2013 -	260	354	7698	4050	
ACTROS MP4 / MP5 2635 L	07.2011 -	260	354	7698	4050	4051
ACTROS MP4 / MP5 2635 L	07.2011 -	260	354	7698	4266	
ACTROS MP4 / MP5 2635 LS	05.2013 -	260	354	7698	4050	
ACTROS MP4 / MP5 2635 LS	07.2011 -	260	354	7698	4050	4051
ACTROS MP4 / MP5 2635 LS	07.2011 -	260	354	7698	4266	
ACTROS MP4 / MP5 2636 L	05.2013 -	265	360	10677	4050	
ACTROS MP4 / MP5 2636 L	05.2013 -	265	360	10677	4266	
ACTROS MP4 / MP5 2636 L	07.2011 -	265	360	10677	4050	4051
ACTROS MP4 / MP5 2636 L	07.2011 -	265	360	10677	4266	
ACTROS MP4 / MP5 2636 LS	05.2013 -	265	360	10677	4050	
ACTROS MP4 / MP5 2636 LS	05.2013 -	265	360	10677	4266	
ACTROS MP4 / MP5 2636 LS	07.2011 -	265	360	10677	4050	4051
ACTROS MP4 / MP5 2636 LS	07.2011 -	265	360	10677	4266	
ACTROS MP4 / MP5 2640 L	05.2013 -	290	394	10677	4050	
ACTROS MP4 / MP5 2640 L	05.2013 -	290	394	10677	4266	
ACTROS MP4 / MP5 2640 L	07.2011 -	290	394	10677	4050	4051
ACTROS MP4 / MP5 2640 L	07.2011 -	290	394	10677	4266	
ACTROS MP4 / MP5 2640 LS	05.2013 -	290	394	10677	4050	
ACTROS MP4 / MP5 2640 LS	05.2013 -	290	394	10677	4266	
ACTROS MP4 / MP5 2640 LS	07.2011 -	290	394	10677	4050	4051
ACTROS MP4 / MP5 2640 LS	07.2011 -	290	394	10677	4266	
ACTROS MP4 / MP5 2642 L	05.2013 -	310	421	12809	4050	
ACTROS MP4 / MP5 2642 L	05.2013 -	310	421	12809	4266	
ACTROS MP4 / MP5 2642 L	07.2011 -	310	422	12809	4050	4051
ACTROS MP4 / MP5 2642 L	07.2011 -	310	422	12809	4266	
ACTROS MP4 / MP5 2642 LS	05.2013 -	310	421	12809	4050	
ACTROS MP4 / MP5 2642 LS	05.2013 -	310	421	12809	4266	
ACTROS MP4 / MP5 2642 LS	07.2011 -	310	422	12809	4050	4051

**MAKE & MODEL****YEAR****KW****PS****CC****MERCEDES-BENZ**

ACTROS MP4 / MP5 2642 LS	07.2011 -	310	422	12809	4266	
ACTROS MP4 / MP5 2643 L	05.2013 -	315	428	10677	4050	
ACTROS MP4 / MP5 2643 L	05.2013 -	315	428	10677	4266	
ACTROS MP4 / MP5 2643 L	07.2011 -	315	428	10677	4050	4051
ACTROS MP4 / MP5 2643 L	07.2011 -	315	428	10677	4266	
ACTROS MP4 / MP5 2643 LS	05.2013 -	315	428	10677	4050	
ACTROS MP4 / MP5 2643 LS	05.2013 -	315	428	10677	4266	
ACTROS MP4 / MP5 2643 LS	07.2011 -	315	428	10677	4050	4051
ACTROS MP4 / MP5 2643 LS	07.2011 -	315	428	10677	4266	
ACTROS MP4 / MP5 2645 L	05.2013 -	330	449	12809	4050	
ACTROS MP4 / MP5 2645 L	05.2013 -	330	449	12809	4266	
ACTROS MP4 / MP5 2645 L	07.2011 -	330	449	12809	4050	4051
ACTROS MP4 / MP5 2645 L	07.2011 -	330	449	12809	4266	
ACTROS MP4 / MP5 2645 LS	05.2013 -	330	449	12809	4050	
ACTROS MP4 / MP5 2645 LS	05.2013 -	330	449	12809	4266	
ACTROS MP4 / MP5 2645 LS	07.2011 -	330	449	12809	4050	4051
ACTROS MP4 / MP5 2645 LS	07.2011 -	330	449	12809	4266	
ACTROS MP4 / MP5 2646 L	07.2015 -	335	455	10677	4050	
ACTROS MP4 / MP5 2646 LS	07.2015 -	335	455	10677	4050	
ACTROS MP4 / MP5 2648 L	05.2013 -	350	476	12809	4050	
ACTROS MP4 / MP5 2648 L	05.2013 -	350	476	12809	4266	
ACTROS MP4 / MP5 2648 L	07.2011 -	350	476	12809	4050	4051
ACTROS MP4 / MP5 2648 L	07.2011 -	350	476	12809	4266	
ACTROS MP4 / MP5 2648 LS	05.2013 -	350	476	12809	4050	
ACTROS MP4 / MP5 2648 LS	05.2013 -	350	476	12809	4266	
ACTROS MP4 / MP5 2648 LS	07.2011 -	350	476	12809	4050	4051
ACTROS MP4 / MP5 2648 LS	07.2011 -	350	476	12809	4266	
ACTROS MP4 / MP5 2651 L	05.2013 -	375	510	12809	4050	
ACTROS MP4 / MP5 2651 L	05.2013 -	375	510	12809	4266	
ACTROS MP4 / MP5 2651 L	07.2011 -	360	490	12809	4050	4051
ACTROS MP4 / MP5 2651 L	07.2011 -	360	490	12809	4266	
ACTROS MP4 / MP5 2651 L	07.2011 -	375	510	12809	4050	4051
ACTROS MP4 / MP5 2651 L	07.2011 -	375	510	12809	4266	
ACTROS MP4 / MP5 2651 LS	05.2013 -	375	510	12809	4050	
ACTROS MP4 / MP5 2651 LS	05.2013 -	375	510	12809	4266	
ACTROS MP4 / MP5 2651 LS	07.2011 -	375	510	12809	4050	4051
ACTROS MP4 / MP5 2651 LS	07.2011 -	375	510	12809	4266	
ACTROS MP4 / MP5 2652 L	05.2013 -	380	517	15569	4050	
ACTROS MP4 / MP5 2652 L	07.2011 -	380	517	15569	4050	
ACTROS MP4 / MP5 2652 L	07.2011 -	380	517	15569	4266	
ACTROS MP4 / MP5 2652 LS	07.2011 -	380	517	15569	4050	
ACTROS MP4 / MP5 2652 LS	05.2013 -	380	517	15569	4050	
ACTROS MP4 / MP5 2652 LS	07.2011 -	380	517	15569	4050	
ACTROS MP4 / MP5 2652 LS	07.2011 -	380	517	15569	4266	
ACTROS MP4 / MP5 2653 L	07.2015 -	390	530	12809	4050	
ACTROS MP4 / MP5 2653 LS	07.2015 -	390	530	12809	4050	
ACTROS MP4 / MP5 2658 L	05.2013 -	425	578	15569	4050	
ACTROS MP4 / MP5 2658 L	07.2011 -	425	578	15569	4050	
ACTROS MP4 / MP5 2658 L	07.2011 -	425	578	15569	4266	
ACTROS MP4 / MP5 2658 LS	05.2013 -	425	578	15569	4050	
ACTROS MP4 / MP5 2658 LS	07.2011 -	425	578	15569	4050	
ACTROS MP4 / MP5 2658 LS	07.2011 -	425	578	15569	4266	
ACTROS MP4 / MP5 2663 L	05.2013 -	460	625	15569	4050	
ACTROS MP4 / MP5 2663 L	07.2011 -	460	625	15569	4050	
ACTROS MP4 / MP5 2663 L	07.2011 -	460	625	15569	4266	
ACTROS MP4 / MP5 2663 LS	05.2013 -	460	625	15569	4050	
ACTROS MP4 / MP5 2663 LS	07.2011 -	460	625	15569	4050	
ACTROS MP4 / MP5 2663 LS	07.2011 -	460	625	15569	4266	
ACTROS MP4 / MP5 3333 L	05.2013 -	240	326	10677	4050	
ACTROS MP4 / MP5 3333 L	05.2013 -	240	326	10677	4266	
ACTROS MP4 / MP5 3333 L	07.2011 -	240	326	10677	4050	4051
ACTROS MP4 / MP5 3333 L	07.2011 -	240	326	10677	4266	
ACTROS MP4 / MP5 3333 LS	05.2013 -	240	326	10677	4050	
ACTROS MP4 / MP5 3333 LS	05.2013 -	240	326	10677	4266	
ACTROS MP4 / MP5 3333 LS	07.2011 -	240	326	10677	4050	4051
ACTROS MP4 / MP5 3333 LS	07.2011 -	240	326	10677	4266	
ACTROS MP4 / MP5 3336 L	05.2013 -	265	360	10677	4050	
ACTROS MP4 / MP5 3336 L	05.2013 -	265	360	10677	4266	

**MAKE & MODEL****YEAR****KW****PS****CC****MERCEDES-BENZ**

ACTROS MP4 / MP5 3336 L	07.2011 -	265	360	10677	4050	4051
ACTROS MP4 / MP5 3336 L	07.2011 -	265	360	10677	4266	
ACTROS MP4 / MP5 3336 LS	05.2013 -	265	360	10677	4050	
ACTROS MP4 / MP5 3336 LS	05.2013 -	265	360	10677	4266	
ACTROS MP4 / MP5 3336 LS	07.2011 -	265	360	10677	4050	4051
ACTROS MP4 / MP5 3336 LS	07.2011 -	265	360	10677	4266	
ACTROS MP4 / MP5 3340 L	05.2013 -	290	394	10677	4050	
ACTROS MP4 / MP5 3340 L	05.2013 -	290	394	10677	4266	
ACTROS MP4 / MP5 3340 L	07.2011 -	290	394	10677	4050	4051
ACTROS MP4 / MP5 3340 L	07.2011 -	290	394	10677	4266	
ACTROS MP4 / MP5 3340 LS	05.2013 -	290	394	10677	4050	
ACTROS MP4 / MP5 3340 LS	05.2013 -	290	394	10677	4266	
ACTROS MP4 / MP5 3340 LS	07.2011 -	290	394	10677	4050	4051
ACTROS MP4 / MP5 3340 LS	07.2011 -	290	394	10677	4266	
ACTROS MP4 / MP5 3342 L	05.2013 -	310	421	12809	4050	
ACTROS MP4 / MP5 3342 L	05.2013 -	310	421	12809	4266	
ACTROS MP4 / MP5 3342 L	07.2011 -	310	422	12809	4050	4051
ACTROS MP4 / MP5 3342 L	07.2011 -	310	422	12809	4266	
ACTROS MP4 / MP5 3342 LS	05.2013 -	310	421	12809	4050	
ACTROS MP4 / MP5 3342 LS	05.2013 -	310	421	12809	4266	
ACTROS MP4 / MP5 3342 LS	07.2011 -	310	422	12809	4050	4051
ACTROS MP4 / MP5 3342 LS	07.2011 -	310	422	12809	4266	
ACTROS MP4 / MP5 3343 L	05.2013 -	315	428	10677	4050	
ACTROS MP4 / MP5 3343 L	05.2013 -	315	428	10677	4266	
ACTROS MP4 / MP5 3343 L	07.2011 -	315	428	10677	4050	4051
ACTROS MP4 / MP5 3343 L	07.2011 -	315	428	10677	4266	
ACTROS MP4 / MP5 3343 LS	05.2013 -	315	428	10677	4050	
ACTROS MP4 / MP5 3343 LS	05.2013 -	315	428	10677	4266	
ACTROS MP4 / MP5 3343 LS	07.2011 -	315	428	10677	4050	4051
ACTROS MP4 / MP5 3343 LS	07.2011 -	315	428	10677	4266	
ACTROS MP4 / MP5 3345 L	05.2013 -	330	449	12809	4050	
ACTROS MP4 / MP5 3345 L	05.2013 -	330	449	12809	4266	
ACTROS MP4 / MP5 3345 L	07.2011 -	330	449	12809	4050	4051
ACTROS MP4 / MP5 3345 L	07.2011 -	330	449	12809	4266	
ACTROS MP4 / MP5 3345 LS	05.2013 -	330	449	12809	4050	
ACTROS MP4 / MP5 3345 LS	05.2013 -	330	449	12809	4266	
ACTROS MP4 / MP5 3345 LS	07.2011 -	330	449	12809	4050	4051
ACTROS MP4 / MP5 3345 LS	07.2011 -	330	449	12809	4266	
ACTROS MP4 / MP5 3346 L	07.2015 -	335	455	10677	4050	
ACTROS MP4 / MP5 3346 LS	07.2015 -	335	455	10677	4050	
ACTROS MP4 / MP5 3348 L	05.2013 -	350	476	12809	4050	
ACTROS MP4 / MP5 3348 L	05.2013 -	350	476	12809	4266	
ACTROS MP4 / MP5 3348 L	07.2011 -	350	476	12809	4050	4051
ACTROS MP4 / MP5 3348 L	07.2011 -	350	476	12809	4266	
ACTROS MP4 / MP5 3348 LS	05.2013 -	350	476	12809	4050	
ACTROS MP4 / MP5 3348 LS	05.2013 -	350	476	12809	4266	
ACTROS MP4 / MP5 3348 LS	07.2011 -	350	476	12809	4050	4051
ACTROS MP4 / MP5 3348 LS	07.2011 -	350	476	12809	4266	
ACTROS MP4 / MP5 3351 L	05.2013 -	375	510	12809	4050	
ACTROS MP4 / MP5 3351 L	05.2013 -	375	510	12809	4266	
ACTROS MP4 / MP5 3351 L	07.2011 -	375	510	12809	4050	4051
ACTROS MP4 / MP5 3351 L	07.2011 -	375	510	12809	4266	
ACTROS MP4 / MP5 3351 LS	05.2013 -	375	510	12809	4050	
ACTROS MP4 / MP5 3351 LS	05.2013 -	375	510	12809	4266	
ACTROS MP4 / MP5 3351 LS	07.2011 -	375	510	12809	4050	4051
ACTROS MP4 / MP5 3351 LS	07.2011 -	375	510	12809	4266	
ACTROS MP4 / MP5 3352 L	05.2013 -	380	517	15569	4050	
ACTROS MP4 / MP5 3352 L	07.2011 -	380	517	15569	4050	
ACTROS MP4 / MP5 3352 L	07.2011 -	380	517	15569	4266	
ACTROS MP4 / MP5 3352 LS	05.2013 -	380	517	15569	4050	
ACTROS MP4 / MP5 3352 LS	07.2011 -	380	517	15569	4050	
ACTROS MP4 / MP5 3352 LS	07.2011 -	380	517	15569	4266	
ACTROS MP4 / MP5 3352 SLT	12.2013 -	380	517	15569	4050	
ACTROS MP4 / MP5 3353 L	07.2015 -	390	530	12809	4050	
ACTROS MP4 / MP5 3353 LS	07.2015 -	390	530	12809	4050	
ACTROS MP4 / MP5 3358 L	05.2013 -	425	578	15569	4050	
ACTROS MP4 / MP5 3358 L	07.2011 -	425	578	15569	4050	

**MAKE & MODEL****YEAR****KW****PS****CC****MERCEDES-BENZ**

ACTROS MP4 / MP5 3358 L	07.2011 -	425	578	15569	4266	
ACTROS MP4 / MP5 3358 LS	05.2013 -	425	578	15569	4050	
ACTROS MP4 / MP5 3358 LS	07.2011 -	425	578	15569	4050	
ACTROS MP4 / MP5 3358 LS	07.2011 -	425	578	15569	4266	
ACTROS MP4 / MP5 3358 SLT	12.2013 -	425	578	15569	4050	
ACTROS MP4 / MP5 3363 L	05.2013 -	460	625	15569	4050	
ACTROS MP4 / MP5 3363 L	07.2011 -	460	625	15569	4050	
ACTROS MP4 / MP5 3363 L	07.2011 -	460	625	15569	4266	
ACTROS MP4 / MP5 3363 LS	05.2013 -	460	625	15569	4050	
ACTROS MP4 / MP5 3363 LS	07.2011 -	460	625	15569	4050	
ACTROS MP4 / MP5 3363 LS	07.2011 -	460	625	15569	4266	
ACTROS MP4 / MP5 3363 SLT	12.2013 -	460	625	15569	4050	
ACTROS MP4 / MP5 4152 LS	01.2014 -	380	517	15569	4050	4051
ACTROS MP4 / MP5 4158 SLT	12.2013 -	425	578	15569	4050	
ACTROS MP4 / MP5 4163 SLT	12.2013 -	460	625	15569	4050	
ANTOS 1824 L	05.2013 -	175	238	7698	4050	
ANTOS 1824 L	07.2012 -	175	238	7698	4050	
ANTOS 1824 L	07.2012 -	175	238	7698	4091	
ANTOS 1824 L	07.2012 -	175	238	7698	4266	
ANTOS 1824 LS	05.2013 -	175	238	7698	4050	
ANTOS 1824 LS	07.2012 -	175	238	7698	4050	
ANTOS 1824 LS	07.2012 -	175	238	7698	4091	
ANTOS 1824 LS	07.2012 -	175	238	7698	4266	
ANTOS 1827 L	05.2013 -	200	272	7698	4050	
ANTOS 1827 L	07.2012 -	200	272	7698	4050	
ANTOS 1827 L	07.2012 -	200	272	7698	4091	
ANTOS 1827 L	07.2012 -	200	272	7698	4266	
ANTOS 1827 LS	05.2013 -	200	272	7698	4050	
ANTOS 1827 LS	07.2012 -	200	272	7698	4050	
ANTOS 1827 LS	07.2012 -	200	272	7698	4091	
ANTOS 1827 LS	07.2012 -	200	272	7698	4266	
ANTOS 1830 L	05.2013 -	220	299	7698	4050	
ANTOS 1830 L	07.2012 -	220	299	7698	4050	
ANTOS 1830 L	07.2012 -	220	299	7698	4091	
ANTOS 1830 L	07.2012 -	220	299	7698	4266	
ANTOS 1830 LS	05.2013 -	220	299	7698	4050	
ANTOS 1830 LS	07.2012 -	220	299	7698	4050	
ANTOS 1830 LS	07.2012 -	220	299	7698	4091	
ANTOS 1830 LS	07.2012 -	220	299	7698	4266	
ANTOS 1832 L	05.2013 -	235	320	7698	4050	
ANTOS 1832 L	07.2012 -	235	320	7698	4050	
ANTOS 1832 L	07.2012 -	235	320	7698	4091	
ANTOS 1832 L	07.2012 -	235	320	7698	4266	
ANTOS 1832 LS	05.2013 -	235	320	7698	4050	
ANTOS 1832 LS	07.2012 -	235	320	7698	4050	
ANTOS 1832 LS	07.2012 -	235	320	7698	4091	
ANTOS 1832 LS	07.2012 -	235	320	7698	4266	
ANTOS 1833 L	05.2013 -	240	326	10677	4050	
ANTOS 1833 L	07.2012 -	240	326	10677	4050	
ANTOS 1833 L	07.2012 -	240	326	10677	4091	
ANTOS 1833 L	07.2012 -	240	326	10677	4266	
ANTOS 1833 LS	05.2013 -	240	326	10677	4050	
ANTOS 1833 LS	07.2012 -	240	326	10677	4050	
ANTOS 1833 LS	07.2012 -	240	326	10677	4091	
ANTOS 1833 LS	07.2012 -	240	326	10677	4266	
ANTOS 1835 L	05.2013 -	260	354	7698	4050	
ANTOS 1835 L	07.2012 -	260	354	7698	4050	
ANTOS 1835 L	07.2012 -	260	354	7698	4091	
ANTOS 1835 L	07.2012 -	260	354	7698	4266	
ANTOS 1835 LS	05.2013 -	260	354	7698	4050	
ANTOS 1835 LS	07.2012 -	260	354	7698	4050	
ANTOS 1835 LS	07.2012 -	260	354	7698	4091	
ANTOS 1835 LS	07.2012 -	260	354	7698	4266	
ANTOS 1836 L	05.2013 -	265	360	10677	4050	
ANTOS 1836 L	07.2012 -	265	360	10677	4050	
ANTOS 1836 L	07.2012 -	265	360	10677	4091	
ANTOS 1836 L	07.2012 -	265	360	10677	4266	



**MAKE & MODEL****YEAR****KW****PS****CC****MERCEDES-BENZ**

ANTOS 1836 LS	05.2013 -	265	360	10677	4050
ANTOS 1836 LS	07.2012 -	265	360	10677	4050
ANTOS 1836 LS	07.2012 -	265	360	10677	4091
ANTOS 1836 LS	07.2012 -	265	360	10677	4266
ANTOS 1840 L	05.2013 -	290	394	10677	4050
ANTOS 1840 L	07.2012 -	290	394	10677	4050
ANTOS 1840 L	07.2012 -	290	394	10677	4091
ANTOS 1840 L	07.2012 -	290	394	10677	4266
ANTOS 1840 LS	05.2013 -	290	394	10677	4050
ANTOS 1840 LS	07.2012 -	290	394	10677	4050
ANTOS 1840 LS	07.2012 -	290	394	10677	4091
ANTOS 1840 LS	07.2012 -	290	394	10677	4266
ANTOS 1842 L	05.2013 -	310	421	12809	4050
ANTOS 1842 L	05.2013 -	310	421	12809	4266
ANTOS 1842 L	07.2012 -	310	422	12809	4050
ANTOS 1842 L	07.2012 -	310	422	12809	4091
ANTOS 1842 L	07.2012 -	310	422	12809	4266
ANTOS 1842 LS	05.2013 -	310	421	12809	4050
ANTOS 1842 LS	07.2012 -	310	422	12809	4050
ANTOS 1842 LS	07.2012 -	310	422	12809	4091
ANTOS 1842 LS	07.2012 -	310	422	12809	4266
ANTOS 1843 L	05.2013 -	315	428	10677	4050
ANTOS 1843 L	07.2012 -	315	428	10677	4050
ANTOS 1843 L	07.2012 -	315	428	10677	4091
ANTOS 1843 L	07.2012 -	315	428	10677	4266
ANTOS 1843 LS	05.2013 -	315	428	10677	4050
ANTOS 1843 LS	07.2012 -	315	428	10677	4050
ANTOS 1843 LS	07.2012 -	315	428	10677	4091
ANTOS 1843 LS	07.2012 -	315	428	10677	4266
ANTOS 1845 L	05.2013 -	330	449	12809	4050
ANTOS 1845 L	05.2013 -	330	449	12809	4266
ANTOS 1845 L	07.2012 -	330	449	12809	4050
ANTOS 1845 L	07.2012 -	330	449	12809	4091
ANTOS 1845 L	07.2012 -	330	449	12809	4266
ANTOS 1845 LS	05.2013 -	330	449	12809	4050
ANTOS 1845 LS	07.2012 -	330	449	12809	4050
ANTOS 1845 LS	07.2012 -	330	449	12809	4091
ANTOS 1845 LS	07.2012 -	330	449	12809	4266
ANTOS 1846 L	07.2015 -	335	455	10677	4050
ANTOS 1846 LS	07.2015 -	335	455	10677	4050
ANTOS 1848 L	05.2013 -	350	476	12809	4050
ANTOS 1848 L	05.2013 -	350	476	12809	4266
ANTOS 1848 L	07.2012 -	350	476	12809	4050
ANTOS 1848 L	07.2012 -	350	476	12809	4091
ANTOS 1848 L	07.2012 -	350	476	12809	4266
ANTOS 1848 LS	05.2013 -	350	476	12809	4050
ANTOS 1848 LS	07.2012 -	350	476	12809	4050
ANTOS 1848 LS	07.2012 -	350	476	12809	4091
ANTOS 1848 LS	07.2012 -	350	476	12809	4266
ANTOS 1851 L	05.2013 -	375	510	12809	4050
ANTOS 1851 L	05.2013 -	375	510	12809	4266
ANTOS 1851 L	07.2012 -	375	510	12809	4050
ANTOS 1851 L	07.2012 -	375	510	12809	4091
ANTOS 1851 L	07.2012 -	375	510	12809	4266
ANTOS 1851 LS	05.2013 -	375	510	12809	4050
ANTOS 1851 LS	07.2012 -	375	510	12809	4050
ANTOS 1851 LS	07.2012 -	375	510	12809	4091
ANTOS 1851 LS	07.2012 -	375	510	12809	4266
ANTOS 1852 L	05.2013 -	380	517	15569	4050
ANTOS 1852 L	09.2012 -	380	517	15569	4050
ANTOS 1852 L	09.2012 -	380	517	15569	4266
ANTOS 1852 LS	05.2013 -	380	517	15569	4050
ANTOS 1852 LS	09.2012 -	380	517	15569	4050
ANTOS 1852 LS	09.2012 -	380	517	15569	4266
ANTOS 1853 L	07.2015 -	390	530	12809	4050
ANTOS 1853 LS	07.2015 -	390	530	12809	4050
ANTOS 1858 L	05.2013 -	425	578	15569	4050



**MAKE & MODEL****YEAR****KW****PS****CC****MERCEDES-BENZ**

ANTOS 1858 L	09.2012 -	425	578	15569	4050
ANTOS 1858 L	09.2012 -	425	578	15569	4266
ANTOS 1858 LS	05.2013 -	425	578	15569	4050
ANTOS 1858 LS	09.2012 -	425	578	15569	4050
ANTOS 1858 LS	09.2012 -	425	578	15569	4266
ANTOS 1863 L	05.2013 -	460	625	15569	4050
ANTOS 1863 L	09.2012 -	460	625	15569	4050
ANTOS 1863 L	09.2012 -	460	625	15569	4266
ANTOS 1863 LS	05.2013 -	460	625	15569	4050
ANTOS 1863 LS	09.2012 -	460	625	15569	4050
ANTOS 1863 LS	09.2012 -	460	625	15569	4266
ANTOS 2024 L	05.2013 -	175	238	7698	4050
ANTOS 2024 L	07.2012 -	175	238	7698	4050
ANTOS 2024 L	07.2012 -	175	238	7698	4091
ANTOS 2024 L	07.2012 -	175	238	7698	4266
ANTOS 2024 LS	05.2013 -	175	238	7698	4050
ANTOS 2024 LS	07.2012 -	175	238	7698	4050
ANTOS 2024 LS	07.2012 -	175	238	7698	4091
ANTOS 2024 LS	07.2012 -	175	238	7698	4266
ANTOS 2027 L	05.2013 -	200	272	7698	4050
ANTOS 2027 L	07.2012 -	200	272	7698	4050
ANTOS 2027 L	07.2012 -	200	272	7698	4091
ANTOS 2027 L	07.2012 -	200	272	7698	4266
ANTOS 2027 LS	05.2013 -	200	272	7698	4050
ANTOS 2027 LS	07.2012 -	200	272	7698	4050
ANTOS 2027 LS	07.2012 -	200	272	7698	4091
ANTOS 2027 LS	07.2012 -	200	272	7698	4266
ANTOS 2030 L	05.2013 -	220	299	7698	4050
ANTOS 2030 L	07.2012 -	220	299	7698	4050
ANTOS 2030 L	07.2012 -	220	299	7698	4091
ANTOS 2030 L	07.2012 -	220	299	7698	4266
ANTOS 2030 LS	05.2013 -	220	299	7698	4050
ANTOS 2030 LS	07.2012 -	220	299	7698	4050
ANTOS 2030 LS	07.2012 -	220	299	7698	4091
ANTOS 2030 LS	07.2012 -	220	299	7698	4266
ANTOS 2032 L	05.2013 -	235	320	7698	4050
ANTOS 2032 L	07.2012 -	235	320	7698	4050
ANTOS 2032 L	07.2012 -	235	320	7698	4091
ANTOS 2032 L	07.2012 -	235	320	7698	4266
ANTOS 2032 LS	05.2013 -	235	320	7698	4050
ANTOS 2032 LS	07.2012 -	235	320	7698	4050
ANTOS 2032 LS	07.2012 -	235	320	7698	4091
ANTOS 2032 LS	07.2012 -	235	320	7698	4266
ANTOS 2033 L	05.2013 -	240	326	10677	4050
ANTOS 2033 L	07.2012 -	240	326	10677	4050
ANTOS 2033 L	07.2012 -	240	326	10677	4091
ANTOS 2033 L	07.2012 -	240	326	10677	4266
ANTOS 2033 LS	05.2013 -	240	326	10677	4050
ANTOS 2033 LS	07.2012 -	240	326	10677	4050
ANTOS 2033 LS	07.2012 -	240	326	10677	4091
ANTOS 2033 LS	07.2012 -	240	326	10677	4266
ANTOS 2035 L	05.2013 -	260	354	7698	4050
ANTOS 2035 L	07.2012 -	260	354	7698	4050
ANTOS 2035 L	07.2012 -	260	354	7698	4091
ANTOS 2035 L	07.2012 -	260	354	7698	4266
ANTOS 2035 LS	05.2013 -	260	354	7698	4050
ANTOS 2035 LS	07.2012 -	260	354	7698	4050
ANTOS 2035 LS	07.2012 -	260	354	7698	4091
ANTOS 2035 LS	07.2012 -	260	354	7698	4266
ANTOS 2036 L	05.2013 -	265	360	10677	4050
ANTOS 2036 L	07.2012 -	265	360	10677	4050
ANTOS 2036 L	07.2012 -	265	360	10677	4091
ANTOS 2036 L	07.2012 -	265	360	10677	4266
ANTOS 2036 LS	05.2013 -	265	360	10677	4050
ANTOS 2036 LS	07.2012 -	265	360	10677	4050
ANTOS 2036 LS	07.2012 -	265	360	10677	4091
ANTOS 2036 LS	07.2012 -	265	360	10677	4266

**MAKE & MODEL****YEAR****KW****PS****CC****MERCEDES-BENZ**

ANTOS 2040 L	05.2013 -	290	394	10677	4050	
ANTOS 2040 L	07.2012 -	290	394	10677	4050	
ANTOS 2040 L	07.2012 -	290	394	10677	4091	
ANTOS 2040 L	07.2012 -	290	394	10677	4266	
ANTOS 2040 LS	05.2013 -	290	394	10677	4050	
ANTOS 2040 LS	07.2012 -	290	394	10677	4050	
ANTOS 2040 LS	07.2012 -	290	394	10677	4091	
ANTOS 2040 LS	07.2012 -	290	394	10677	4266	
ANTOS 2042 L	05.2013 -	310	421	12809	4050	
ANTOS 2042 L	05.2013 -	310	421	12809	4266	
ANTOS 2042 L	07.2012 -	310	422	12809	4050	
ANTOS 2042 L	07.2012 -	310	422	12809	4091	
ANTOS 2042 L	07.2012 -	310	422	12809	4266	
ANTOS 2042 LS	05.2013 -	310	421	12809	4050	
ANTOS 2042 LS	07.2012 -	310	422	12809	4050	
ANTOS 2042 LS	07.2012 -	310	422	12809	4091	
ANTOS 2042 LS	07.2012 -	310	422	12809	4266	
ANTOS 2043 L	05.2013 -	315	428	10677	4050	
ANTOS 2043 L	07.2012 -	315	428	10677	4050	
ANTOS 2043 L	07.2012 -	315	428	10677	4091	
ANTOS 2043 L	07.2012 -	315	428	10677	4266	
ANTOS 2043 LS	05.2013 -	315	428	10677	4050	
ANTOS 2043 LS	07.2012 -	315	428	10677	4050	
ANTOS 2043 LS	07.2012 -	315	428	10677	4091	
ANTOS 2043 LS	07.2012 -	315	428	10677	4266	
ANTOS 2045 L	05.2013 -	330	449	12809	4050	
ANTOS 2045 L	05.2013 -	330	449	12809	4266	
ANTOS 2045 L	07.2012 -	330	449	12809	4050	
ANTOS 2045 L	07.2012 -	330	449	12809	4091	
ANTOS 2045 L	07.2012 -	330	449	12809	4266	
ANTOS 2045 LS	05.2013 -	330	449	12809	4050	
ANTOS 2045 LS	07.2012 -	330	449	12809	4050	
ANTOS 2045 LS	07.2012 -	330	449	12809	4091	
ANTOS 2045 LS	07.2012 -	330	449	12809	4266	
ANTOS 2046 L	07.2015 -	335	455	10677	4050	
ANTOS 2046 LS	07.2015 -	335	455	10677	4050	
ANTOS 2048 L	05.2013 -	350	476	12809	4050	
ANTOS 2048 L	05.2013 -	350	476	12809	4266	
ANTOS 2048 L	07.2012 -	350	476	12809	4050	
ANTOS 2048 L	07.2012 -	350	476	12809	4091	
ANTOS 2048 L	07.2012 -	350	476	12809	4266	
ANTOS 2048 LS	05.2013 -	350	476	12809	4050	
ANTOS 2048 LS	07.2012 -	350	476	12809	4050	
ANTOS 2048 LS	07.2012 -	350	476	12809	4266	
ANTOS 2048 LS	07.2012 -	350	476	12809	3908	3908
ANTOS 2051 L	05.2013 -	375	510	12809	4050	
ANTOS 2051 L	05.2013 -	375	510	12809	4266	
ANTOS 2051 L	07.2012 -	375	510	12809	4050	
ANTOS 2051 L	07.2012 -	375	510	12809	4266	
ANTOS 2051 L	07.2012 -	375	510	12809	3908	3908
ANTOS 2051 LS	05.2013 -	375	510	12809	4050	
ANTOS 2051 LS	07.2012 -	375	510	12809	4050	
ANTOS 2051 LS	07.2012 -	375	510	12809	4266	
ANTOS 2051 LS	07.2012 -	375	510	12809	3908	3908
ANTOS 2052 L	05.2013 -	380	517	15569	4050	
ANTOS 2052 L	09.2012 -	380	517	15569	4050	
ANTOS 2052 L	09.2012 -	380	517	15569	4266	
ANTOS 2052 LS	05.2013 -	380	517	15569	4050	
ANTOS 2052 LS	09.2012 -	380	517	15569	4050	
ANTOS 2052 LS	09.2012 -	380	517	15569	4266	
ANTOS 2053 L	07.2015 -	390	530	12809	4050	
ANTOS 2053 LS	07.2015 -	390	530	12809	4050	
ANTOS 2058 L	05.2013 -	425	578	15569	4050	
ANTOS 2058 L	09.2012 -	425	578	15569	4050	
ANTOS 2058 L	09.2012 -	425	578	15569	4266	
ANTOS 2058 LS	05.2013 -	425	578	15569	4050	
ANTOS 2058 LS	09.2012 -	425	578	15569	4050	

**MAKE & MODEL****YEAR****KW****PS****CC****MERCEDES-BENZ**

ANTOS 2058 LS	09.2012 -	425	578	15569	4266	
ANTOS 2063 L	05.2013 -	460	625	15569	4050	
ANTOS 2063 L	09.2012 -	460	625	15569	4050	
ANTOS 2063 L	09.2012 -	460	625	15569	4266	
ANTOS 2063 LS	05.2013 -	460	625	15569	4050	
ANTOS 2063 LS	09.2012 -	460	625	15569	4050	
ANTOS 2063 LS	09.2012 -	460	625	15569	4266	
ANTOS 2424 LS	09.2012 -	175	238	7698	4050	
ANTOS 2427 LS	07.2012 -	200	272	7698	4050	4051
ANTOS 2427 LS	07.2012 -	200	272	7698	4091	
ANTOS 2427 LS	07.2012 -	200	272	7698	4266	
ANTOS 2427 LS	07.2012 -	200	272	7698	3908	3908
ANTOS 2430 LS	07.2012 -	220	299	7698	4050	4051
ANTOS 2430 LS	07.2012 -	220	299	7698	4091	
ANTOS 2430 LS	07.2012 -	220	299	7698	4266	
ANTOS 2430 LS	07.2012 -	220	299	7698	3908	3908
ANTOS 2432 LS	07.2012 -	235	320	7698	4050	4051
ANTOS 2432 LS	07.2012 -	235	320	7698	4091	
ANTOS 2432 LS	07.2012 -	235	320	7698	4266	
ANTOS 2432 LS	07.2012 -	235	320	7698	3908	3908
ANTOS 2433 LS	07.2012 -	240	326	10677	4050	4051
ANTOS 2433 LS	07.2012 -	240	326	10677	4091	
ANTOS 2433 LS	07.2012 -	240	326	10677	4266	
ANTOS 2433 LS	07.2012 -	240	326	10677	3908	3908
ANTOS 2435 LS	07.2012 -	260	354	7698	4050	4051
ANTOS 2435 LS	07.2012 -	260	354	7698	4091	
ANTOS 2435 LS	07.2012 -	260	354	7698	4266	
ANTOS 2435 LS	07.2012 -	260	354	7698	3908	3908
ANTOS 2436 LS	07.2012 -	265	360	10677	4050	4051
ANTOS 2436 LS	07.2012 -	265	360	10677	4091	
ANTOS 2436 LS	07.2012 -	265	360	10677	4266	
ANTOS 2436 LS	07.2012 -	265	360	10677	3908	3908
ANTOS 2440 LS	07.2012 -	290	394	10677	4050	4051
ANTOS 2440 LS	07.2012 -	290	394	10677	4091	
ANTOS 2440 LS	07.2012 -	290	394	10677	4266	
ANTOS 2440 LS	07.2012 -	290	394	10677	3908	3908
ANTOS 2442 LS	07.2012 -	310	422	12809	4050	4051
ANTOS 2442 LS	07.2012 -	310	422	12809	4091	
ANTOS 2442 LS	07.2012 -	310	422	12809	4266	
ANTOS 2442 LS	07.2012 -	310	422	12809	3908	3908
ANTOS 2443 LS	07.2012 -	315	428	10677	4050	4051
ANTOS 2443 LS	07.2012 -	315	428	10677	4091	
ANTOS 2443 LS	07.2012 -	315	428	10677	4266	
ANTOS 2443 LS	07.2012 -	315	428	10677	3908	3908
ANTOS 2445 LS	07.2012 -	330	449	12809	4050	4051
ANTOS 2445 LS	07.2012 -	330	449	12809	4091	
ANTOS 2445 LS	07.2012 -	330	449	12809	4266	
ANTOS 2445 LS	07.2012 -	330	449	12809	3908	3908
ANTOS 2446 LS	07.2015 -	335	455	10677	4050	
ANTOS 2448 LS	07.2012 -	350	476	12809	4050	4051
ANTOS 2448 LS	07.2012 -	350	476	12809	4091	
ANTOS 2448 LS	07.2012 -	350	476	12809	4266	
ANTOS 2448 LS	07.2012 -	350	476	12809	3908	3908
ANTOS 2451 LS	07.2012 -	375	510	12809	4050	4051
ANTOS 2451 LS	07.2012 -	375	510	12809	4091	
ANTOS 2451 LS	07.2012 -	375	510	12809	4266	
ANTOS 2451 LS	07.2012 -	375	510	12809	3908	3908
ANTOS 2452 LS	09.2012 -	380	517	15569	4050	
ANTOS 2452 LS	09.2012 -	380	517	15569	4266	
ANTOS 2453 LS	07.2015 -	390	530	12809	4050	
ANTOS 2458 LS	09.2012 -	425	578	15569	4050	
ANTOS 2458 LS	09.2012 -	425	578	15569	4266	
ANTOS 2463 LS	09.2012 -	460	625	15569	4050	
ANTOS 2463 LS	09.2012 -	460	625	15569	4266	
ANTOS 2524 L	05.2013 -	175	238	7698	4050	
ANTOS 2524 L	09.2012 -	175	238	7698	4050	
ANTOS 2524 LS	05.2013 -	175	238	7698	4050	

**MAKE & MODEL****YEAR****KW****PS****CC****MERCEDES-BENZ**

ANTOS 2524 LS	09.2012 -	175	238	7698	4050
ANTOS 2527 L	05.2013 -	200	272	7698	4050
ANTOS 2527 L	07.2012 -	200	272	7698	4050
ANTOS 2527 L	07.2012 -	200	272	7698	4091
ANTOS 2527 L	07.2012 -	200	272	7698	4266
ANTOS 2527 L	09.2012 -	200	272	7698	4050
ANTOS 2527 L	09.2012 -	200	272	7698	4266
ANTOS 2527 LS	05.2013 -	200	272	7698	4050
ANTOS 2527 LS	07.2012 -	200	272	7698	4050
ANTOS 2527 LS	07.2012 -	200	272	7698	4091
ANTOS 2527 LS	07.2012 -	200	272	7698	4266
ANTOS 2527 LS	09.2012 -	200	272	7698	4050
ANTOS 2527 LS	09.2012 -	200	272	7698	4266
ANTOS 2530 L	05.2013 -	220	299	7698	4050
ANTOS 2530 L	07.2012 -	220	299	7698	4050
ANTOS 2530 L	07.2012 -	220	299	7698	4091
ANTOS 2530 L	07.2012 -	220	299	7698	4266
ANTOS 2530 L	09.2012 -	220	299	7698	4050
ANTOS 2530 L	09.2012 -	220	299	7698	4266
ANTOS 2530 LS	05.2013 -	220	299	7698	4050
ANTOS 2530 LS	07.2012 -	220	299	7698	4050
ANTOS 2530 LS	07.2012 -	220	299	7698	4091
ANTOS 2530 LS	07.2012 -	220	299	7698	4266
ANTOS 2530 LS	09.2012 -	220	299	7698	4050
ANTOS 2530 LS	09.2012 -	220	299	7698	4266
ANTOS 2532 L	05.2013 -	235	320	7698	4050
ANTOS 2532 L	07.2012 -	235	320	7698	4050
ANTOS 2532 L	07.2012 -	235	320	7698	4091
ANTOS 2532 L	07.2012 -	235	320	7698	4266
ANTOS 2532 L	09.2012 -	235	320	7698	4050
ANTOS 2532 L	09.2012 -	235	320	7698	4266
ANTOS 2532 LS	05.2013 -	235	320	7698	4050
ANTOS 2532 LS	07.2012 -	235	320	7698	4050
ANTOS 2532 LS	07.2012 -	235	320	7698	4091
ANTOS 2532 LS	07.2012 -	235	320	7698	4266
ANTOS 2532 LS	09.2012 -	235	320	7698	4050
ANTOS 2532 LS	09.2012 -	235	320	7698	4266
ANTOS 2533 L	05.2013 -	240	326	10677	4050
ANTOS 2533 L	05.2013 -	240	326	10677	4266
ANTOS 2533 L	07.2012 -	240	326	10677	4050
ANTOS 2533 L	07.2012 -	240	326	10677	4091
ANTOS 2533 L	07.2012 -	240	326	10677	4266
ANTOS 2533 L	09.2012 -	240	326	10677	4050
ANTOS 2533 L	09.2012 -	240	326	10677	4266
ANTOS 2533 LS	05.2013 -	240	326	10677	4050
ANTOS 2533 LS	05.2013 -	240	326	10677	4266
ANTOS 2533 LS	07.2012 -	240	326	10677	4050
ANTOS 2533 LS	07.2012 -	240	326	10677	4091
ANTOS 2533 LS	07.2012 -	240	326	10677	4266
ANTOS 2533 LS	09.2012 -	240	326	10677	4050
ANTOS 2533 LS	09.2012 -	240	326	10677	4266
ANTOS 2535 L	05.2013 -	260	354	7698	4050
ANTOS 2535 L	07.2012 -	260	354	7698	4050
ANTOS 2535 L	07.2012 -	260	354	7698	4091
ANTOS 2535 L	07.2012 -	260	354	7698	4266
ANTOS 2535 L	09.2012 -	260	354	7698	4050
ANTOS 2535 L	09.2012 -	260	354	7698	4266
ANTOS 2535 LS	05.2013 -	260	354	7698	4050
ANTOS 2535 LS	07.2012 -	260	354	7698	4050
ANTOS 2535 LS	07.2012 -	260	354	7698	4091
ANTOS 2535 LS	07.2012 -	260	354	7698	4266
ANTOS 2535 LS	09.2012 -	260	354	7698	4050
ANTOS 2535 LS	09.2012 -	260	354	7698	4266
ANTOS 2536 L	05.2013 -	265	360	10677	4050
ANTOS 2536 L	05.2013 -	265	360	10677	4266
ANTOS 2536 L	07.2012 -	265	360	10677	4050
ANTOS 2536 L	07.2012 -	265	360	10677	4091

**MAKE & MODEL****YEAR****KW****PS****CC****MERCEDES-BENZ**

ANTOS 2536 L	07.2012 -	265	360	10677	4266	
ANTOS 2536 L	09.2012 -	265	360	10677	4050	
ANTOS 2536 L	09.2012 -	265	360	10677	4266	
ANTOS 2536 LS	05.2013 -	265	360	10677	4050	
ANTOS 2536 LS	05.2013 -	265	360	10677	4266	
ANTOS 2536 LS	07.2012 -	265	360	10677	4050	
ANTOS 2536 LS	07.2012 -	265	360	10677	4091	
ANTOS 2536 LS	07.2012 -	265	360	10677	4266	
ANTOS 2536 LS	09.2012 -	265	360	10677	4050	
ANTOS 2536 LS	09.2012 -	265	360	10677	4266	
ANTOS 2540 L	05.2013 -	290	394	10677	4050	
ANTOS 2540 L	05.2013 -	290	394	10677	4266	
ANTOS 2540 L	07.2012 -	290	394	10677	4050	
ANTOS 2540 L	07.2012 -	290	394	10677	4091	
ANTOS 2540 L	07.2012 -	290	394	10677	4266	
ANTOS 2540 L	09.2012 -	290	394	10677	4050	
ANTOS 2540 L	09.2012 -	290	394	10677	4266	
ANTOS 2540 LS	05.2013 -	290	394	10677	4050	
ANTOS 2540 LS	05.2013 -	290	394	10677	4266	
ANTOS 2540 LS	07.2012 -	290	394	10677	4050	
ANTOS 2540 LS	07.2012 -	290	394	10677	4091	
ANTOS 2540 LS	07.2012 -	290	394	10677	4266	
ANTOS 2540 LS	09.2012 -	290	394	10677	4050	
ANTOS 2540 LS	09.2012 -	290	394	10677	4266	
ANTOS 2542 L	05.2013 -	310	421	12809	4050	
ANTOS 2542 L	05.2013 -	310	421	12809	4266	
ANTOS 2542 L	07.2012 -	310	422	12809	4050	
ANTOS 2542 L	07.2012 -	310	422	12809	4091	
ANTOS 2542 L	07.2012 -	310	422	12809	4266	
ANTOS 2542 L	09.2012 -	310	421	12809	4050	
ANTOS 2542 L	09.2012 -	310	421	12809	4266	
ANTOS 2542 LS	05.2013 -	310	421	12809	4050	
ANTOS 2542 LS	05.2013 -	310	421	12809	4266	
ANTOS 2542 LS	07.2012 -	310	422	12809	4050	
ANTOS 2542 LS	07.2012 -	310	422	12809	4091	
ANTOS 2542 LS	07.2012 -	310	422	12809	4266	
ANTOS 2542 LS	09.2012 -	310	421	12809	4050	
ANTOS 2542 LS	09.2012 -	310	421	12809	4266	
ANTOS 2543 L	05.2013 -	315	428	10677	4050	
ANTOS 2543 L	05.2013 -	315	428	10677	4266	
ANTOS 2543 L	07.2012 -	315	428	10677	4050	
ANTOS 2543 L	07.2012 -	315	428	10677	4091	
ANTOS 2543 L	07.2012 -	315	428	10677	4266	
ANTOS 2543 L	09.2012 -	315	428	10677	4050	
ANTOS 2543 L	09.2012 -	315	428	10677	4266	
ANTOS 2543 LS	05.2013 -	315	428	10677	4050	
ANTOS 2543 LS	05.2013 -	315	428	10677	4266	
ANTOS 2543 LS	07.2012 -	315	428	10677	4050	
ANTOS 2543 LS	07.2012 -	315	428	10677	4091	
ANTOS 2543 LS	07.2012 -	315	428	10677	4266	
ANTOS 2543 LS	09.2012 -	315	428	10677	4050	
ANTOS 2543 LS	09.2012 -	315	428	10677	4266	
ANTOS 2545 L	05.2013 -	330	449	12809	4050	
ANTOS 2545 L	05.2013 -	330	449	12809	4266	
ANTOS 2545 L	07.2012 -	330	449	12809	4050	
ANTOS 2545 L	07.2012 -	330	449	12809	4091	
ANTOS 2545 L	07.2012 -	330	449	12809	4266	
ANTOS 2545 L	09.2012 -	330	449	12809	4050	
ANTOS 2545 L	09.2012 -	330	449	12809	4266	
ANTOS 2545 LS	05.2013 -	330	449	12809	4050	
ANTOS 2545 LS	05.2013 -	330	449	12809	4266	
ANTOS 2545 LS	07.2012 -	330	449	12809	4050	
ANTOS 2545 LS	07.2012 -	330	449	12809	4091	
ANTOS 2545 LS	07.2012 -	330	449	12809	4266	
ANTOS 2545 LS	09.2012 -	330	449	12809	4050	
ANTOS 2545 LS	09.2012 -	330	449	12809	4266	
ANTOS 2546 L	07.2015 -	335	455	10677	4050	

**MAKE & MODEL****YEAR****KW****PS****CC****MERCEDES-BENZ**

ANTOS 2546 LS	07.2015 -	335	455	10677	4050	
ANTOS 2548 L	05.2013 -	350	476	12809	4050	
ANTOS 2548 L	05.2013 -	350	476	12809	4266	
ANTOS 2548 L	07.2012 -	350	476	12809	4050	
ANTOS 2548 L	07.2012 -	350	476	12809	4091	
ANTOS 2548 L	07.2012 -	350	476	12809	4266	
ANTOS 2548 L	09.2012 -	350	476	12809	4050	
ANTOS 2548 L	09.2012 -	350	476	12809	4266	
ANTOS 2548 LS	05.2013 -	350	476	12809	4050	
ANTOS 2548 LS	05.2013 -	350	476	12809	4266	
ANTOS 2548 LS	07.2012 -	350	476	12809	4050	
ANTOS 2548 LS	07.2012 -	350	476	12809	4091	
ANTOS 2548 LS	07.2012 -	350	476	12809	4266	
ANTOS 2548 LS	09.2012 -	350	476	12809	4050	
ANTOS 2548 LS	09.2012 -	350	476	12809	4266	
ANTOS 2551 L	05.2013 -	375	510	12809	4050	
ANTOS 2551 L	05.2013 -	375	510	12809	4266	
ANTOS 2551 L	07.2012 -	375	510	12809	4050	
ANTOS 2551 L	07.2012 -	375	510	12809	4091	
ANTOS 2551 L	07.2012 -	375	510	12809	4266	
ANTOS 2551 L	09.2012 -	375	510	12809	4050	
ANTOS 2551 L	09.2012 -	375	510	12809	4266	
ANTOS 2551 LS	05.2013 -	375	510	12809	4050	
ANTOS 2551 LS	05.2013 -	375	510	12809	4266	
ANTOS 2551 LS	07.2012 -	375	510	12809	4050	
ANTOS 2551 LS	07.2012 -	375	510	12809	4091	
ANTOS 2551 LS	07.2012 -	375	510	12809	4266	
ANTOS 2551 LS	09.2012 -	375	510	12809	4050	
ANTOS 2551 LS	09.2012 -	375	510	12809	4266	
ANTOS 2552 L	07.2015 -	380	517	15569	4050	
ANTOS 2552 L	09.2012 -	380	517	15569	4050	
ANTOS 2552 L	09.2012 -	380	517	15569	4266	
ANTOS 2552 LS	05.2013 -	380	517	15569	4050	
ANTOS 2552 LS	09.2012 -	380	517	15569	4050	
ANTOS 2552 LS	09.2012 -	380	517	15569	4266	
ANTOS 2553 L	07.2015 -	390	530	12809	4050	
ANTOS 2553 LS	07.2015 -	390	530	12809	4050	
ANTOS 2558 L	05.2013 -	425	578	15569	4050	
ANTOS 2558 L	09.2012 -	425	578	15569	4050	
ANTOS 2558 L	09.2012 -	425	578	15569	4266	
ANTOS 2558 LS	05.2013 -	425	578	15569	4050	
ANTOS 2558 LS	09.2012 -	425	578	15569	4050	
ANTOS 2558 LS	09.2012 -	425	578	15569	4266	
ANTOS 2563 L	05.2013 -	460	625	15569	4050	
ANTOS 2563 L	09.2012 -	460	625	15569	4050	
ANTOS 2563 L	09.2012 -	460	625	15569	4266	
ANTOS 2563 LS	05.2013 -	460	625	15569	4050	
ANTOS 2563 LS	09.2012 -	460	625	15569	4050	
ANTOS 2563 LS	09.2012 -	460	625	15569	4266	
ANTOS 2624 L	05.2013 -	175	238	7698	4050	
ANTOS 2624 L	09.2012 -	175	238	7698	4050	
ANTOS 2624 LS	05.2013 -	175	238	7698	4050	
ANTOS 2624 LS	09.2012 -	175	238	7698	4050	
ANTOS 2627 L	05.2013 -	200	272	7698	4050	
ANTOS 2627 L	07.2012 -	200	272	7698	4050	4051
ANTOS 2627 L	07.2012 -	200	272	7698	4091	
ANTOS 2627 L	07.2012 -	200	272	7698	4266	
ANTOS 2627 LS	05.2013 -	200	272	7698	4050	
ANTOS 2627 LS	07.2012 -	200	272	7698	4050	4051
ANTOS 2627 LS	07.2012 -	200	272	7698	4091	
ANTOS 2627 LS	07.2012 -	200	272	7698	4266	
ANTOS 2630 L	05.2013 -	220	299	7698	4050	
ANTOS 2630 L	07.2012 -	220	299	7698	4050	4051
ANTOS 2630 L	07.2012 -	220	299	7698	4091	
ANTOS 2630 L	07.2012 -	220	299	7698	4266	
ANTOS 2630 LS	05.2013 -	220	299	7698	4050	
ANTOS 2630 LS	07.2012 -	220	299	7698	4050	4051



**MAKE & MODEL****YEAR****KW****PS****CC****MERCEDES-BENZ**

ANTOS 2630 LS	07.2012 -	220	299	7698	4091	
ANTOS 2630 LS	07.2012 -	220	299	7698	4266	
ANTOS 2632 L	05.2013 -	235	320	7698	4050	
ANTOS 2632 L	07.2012 -	235	320	7698	4050	4051
ANTOS 2632 L	07.2012 -	235	320	7698	4091	
ANTOS 2632 L	07.2012 -	235	320	7698	4266	
ANTOS 2632 LS	05.2013 -	235	320	7698	4050	
ANTOS 2632 LS	07.2012 -	235	320	7698	4050	4051
ANTOS 2632 LS	07.2012 -	235	320	7698	4091	
ANTOS 2632 LS	07.2012 -	235	320	7698	4266	
ANTOS 2633 L	05.2013 -	240	326	10677	4050	
ANTOS 2633 L	05.2013 -	240	326	10677	4266	
ANTOS 2633 L	07.2012 -	240	326	10677	4050	4051
ANTOS 2633 L	07.2012 -	240	326	10677	4091	
ANTOS 2633 L	07.2012 -	240	326	10677	4266	
ANTOS 2633 LS	05.2013 -	240	326	10677	4050	
ANTOS 2633 LS	05.2013 -	240	326	10677	4266	
ANTOS 2633 LS	07.2012 -	240	326	10677	4050	4051
ANTOS 2633 LS	07.2012 -	240	326	10677	4091	
ANTOS 2633 LS	07.2012 -	240	326	10677	4266	
ANTOS 2635 L	05.2013 -	260	354	7698	4050	
ANTOS 2635 L	07.2012 -	260	354	7698	4050	4051
ANTOS 2635 L	07.2012 -	260	354	7698	4091	
ANTOS 2635 L	07.2012 -	260	354	7698	4266	
ANTOS 2635 LS	05.2013 -	260	354	7698	4050	
ANTOS 2635 LS	07.2012 -	260	354	7698	4050	4051
ANTOS 2635 LS	07.2012 -	260	354	7698	4091	
ANTOS 2635 LS	07.2012 -	260	354	7698	4266	
ANTOS 2636 L	05.2013 -	265	360	10677	4050	
ANTOS 2636 L	05.2013 -	265	360	10677	4266	
ANTOS 2636 L	07.2012 -	265	360	10677	4050	4051
ANTOS 2636 L	07.2012 -	265	360	10677	4091	
ANTOS 2636 L	07.2012 -	265	360	10677	4266	
ANTOS 2636 LS	05.2013 -	265	360	10677	4050	
ANTOS 2636 LS	05.2013 -	265	360	10677	4266	
ANTOS 2636 LS	07.2012 -	265	360	10677	4050	4051
ANTOS 2636 LS	07.2012 -	265	360	10677	4091	
ANTOS 2636 LS	07.2012 -	265	360	10677	4266	
ANTOS 2640 L	05.2013 -	290	394	10677	4050	
ANTOS 2640 L	05.2013 -	290	394	10677	4266	
ANTOS 2640 L	07.2012 -	290	394	10677	4050	4051
ANTOS 2640 L	07.2012 -	290	394	10677	4091	
ANTOS 2640 L	07.2012 -	290	394	10677	4266	
ANTOS 2640 LS	05.2013 -	290	394	10677	4050	
ANTOS 2640 LS	05.2013 -	290	394	10677	4266	
ANTOS 2640 LS	07.2012 -	290	394	10677	4050	4051
ANTOS 2640 LS	07.2012 -	290	394	10677	4091	
ANTOS 2640 LS	07.2012 -	290	394	10677	4266	
ANTOS 2642 L	05.2013 -	310	421	12809	4050	
ANTOS 2642 L	05.2013 -	310	421	12809	4266	
ANTOS 2642 L	07.2012 -	310	422	12809	4050	4051
ANTOS 2642 L	07.2012 -	310	422	12809	4091	
ANTOS 2642 L	07.2012 -	310	422	12809	4266	
ANTOS 2642 LS	05.2013 -	310	421	12809	4050	
ANTOS 2642 LS	05.2013 -	310	421	12809	4266	
ANTOS 2642 LS	07.2012 -	310	422	12809	4050	4051
ANTOS 2642 LS	07.2012 -	310	422	12809	4091	
ANTOS 2642 LS	07.2012 -	310	422	12809	4266	
ANTOS 2643 L	05.2013 -	315	428	10677	4050	
ANTOS 2643 L	05.2013 -	315	428	10677	4266	
ANTOS 2643 L	07.2012 -	315	428	10677	4050	4051
ANTOS 2643 L	07.2012 -	315	428	10677	4091	
ANTOS 2643 L	07.2012 -	315	428	10677	4266	
ANTOS 2643 LS	05.2013 -	315	428	10677	4050	
ANTOS 2643 LS	05.2013 -	315	428	10677	4266	
ANTOS 2643 LS	07.2012 -	315	428	10677	4050	4051
ANTOS 2643 LS	07.2012 -	315	428	10677	4091	

**MAKE & MODEL****YEAR****KW****PS****CC****MERCEDES-BENZ**

ANTOS 2643 LS	07.2012 -	315	428	10677	4266	
ANTOS 2645 L	05.2013 -	330	449	12809	4050	
ANTOS 2645 L	05.2013 -	330	449	12809	4266	
ANTOS 2645 L	07.2012 -	330	449	12809	4050	4051
ANTOS 2645 L	07.2012 -	330	449	12809	4091	
ANTOS 2645 L	07.2012 -	330	449	12809	4266	
ANTOS 2645 LS	05.2013 -	330	449	12809	4050	
ANTOS 2645 LS	05.2013 -	330	449	12809	4266	
ANTOS 2645 LS	07.2012 -	330	449	12809	4050	4051
ANTOS 2645 LS	07.2012 -	330	449	12809	4091	
ANTOS 2645 LS	07.2012 -	330	449	12809	4266	
ANTOS 2646 L	07.2015 -	335	455	10677	4050	
ANTOS 2646 LS	07.2015 -	335	455	10677	4050	
ANTOS 2648 L	05.2013 -	350	476	12809	4050	
ANTOS 2648 L	05.2013 -	350	476	12809	4266	
ANTOS 2648 L	07.2012 -	350	476	12809	4050	4051
ANTOS 2648 L	07.2012 -	350	476	12809	4091	
ANTOS 2648 L	07.2012 -	350	476	12809	4266	
ANTOS 2648 LS	05.2013 -	350	476	12809	4050	
ANTOS 2648 LS	05.2013 -	350	476	12809	4266	
ANTOS 2648 LS	07.2012 -	350	476	12809	4050	4051
ANTOS 2648 LS	07.2012 -	350	476	12809	4091	
ANTOS 2648 LS	07.2012 -	350	476	12809	4266	
ANTOS 2651 L	05.2013 -	375	510	12809	4050	
ANTOS 2651 L	05.2013 -	375	510	12809	4266	
ANTOS 2651 L	07.2012 -	375	510	12809	4050	4051
ANTOS 2651 L	07.2012 -	375	510	12809	4091	
ANTOS 2651 L	07.2012 -	375	510	12809	4266	
ANTOS 2651 LS	05.2013 -	375	510	12809	4050	
ANTOS 2651 LS	05.2013 -	375	510	12809	4266	
ANTOS 2651 LS	07.2012 -	375	510	12809	4050	4051
ANTOS 2651 LS	07.2012 -	375	510	12809	4091	
ANTOS 2651 LS	07.2012 -	375	510	12809	4266	
ANTOS 2652 L	05.2013 -	380	517	15569	4050	
ANTOS 2652 L	09.2012 -	380	517	15569	4050	
ANTOS 2652 L	09.2012 -	380	517	15569	4266	
ANTOS 2652 LS	05.2013 -	380	517	15569	4050	
ANTOS 2652 LS	09.2012 -	380	517	15569	4050	
ANTOS 2652 LS	09.2012 -	380	517	15569	4266	
ANTOS 2653 L	07.2015 -	390	530	12809	4050	
ANTOS 2653 LS	07.2015 -	390	530	12809	4050	
ANTOS 2658 L	05.2013 -	425	578	15569	4050	
ANTOS 2658 L	09.2012 -	425	578	15569	4050	
ANTOS 2658 L	09.2012 -	425	578	15569	4266	
ANTOS 2658 LS	05.2013 -	425	578	15569	4050	
ANTOS 2658 LS	09.2012 -	425	578	15569	4050	
ANTOS 2658 LS	09.2012 -	425	578	15569	4266	
ANTOS 2663 L	05.2013 -	460	625	15569	4050	
ANTOS 2663 L	09.2012 -	460	625	15569	4050	
ANTOS 2663 L	09.2012 -	460	625	15569	4266	
ANTOS 2663 LS	05.2013 -	460	625	15569	4050	
ANTOS 2663 LS	09.2012 -	460	625	15569	4050	
ANTOS 2663 LS	09.2012 -	460	625	15569	4266	
ANTOS 3333 L	05.2013 -	240	326	10677	4050	
ANTOS 3333 L	05.2013 -	240	326	10677	4266	
ANTOS 3333 L	07.2012 -	240	326	10677	4050	
ANTOS 3333 L	07.2012 -	240	326	10677	4091	
ANTOS 3333 L	07.2012 -	240	326	10677	4266	
ANTOS 3333 LS	05.2013 -	240	326	10677	4050	
ANTOS 3333 LS	05.2013 -	240	326	10677	4266	
ANTOS 3333 LS	07.2012 -	240	326	10677	4050	
ANTOS 3333 LS	07.2012 -	240	326	10677	4091	
ANTOS 3333 LS	07.2012 -	240	326	10677	4266	
ANTOS 3336 L	05.2013 -	265	360	10677	4050	
ANTOS 3336 L	05.2013 -	265	360	10677	4266	
ANTOS 3336 L	07.2012 -	265	360	10677	4050	
ANTOS 3336 L	07.2012 -	265	360	10677	4091	

**MAKE & MODEL****YEAR****KW****PS****CC****MERCEDES-BENZ**

ANTOS 3336 L	07.2012 -	265	360	10677	4266	
ANTOS 3336 LS	05.2013 -	265	360	10677	4050	
ANTOS 3336 LS	05.2013 -	265	360	10677	4266	
ANTOS 3336 LS	07.2012 -	265	360	10677	4050	
ANTOS 3336 LS	07.2012 -	265	360	10677	4091	
ANTOS 3336 LS	07.2012 -	265	360	10677	4266	
ANTOS 3340 L	05.2013 -	290	394	10677	4050	
ANTOS 3340 L	05.2013 -	290	394	10677	4266	
ANTOS 3340 L	07.2012 -	290	394	10677	4050	
ANTOS 3340 L	07.2012 -	290	394	10677	4091	
ANTOS 3340 L	07.2012 -	290	394	10677	4266	
ANTOS 3340 LS	05.2013 -	290	394	10677	4050	
ANTOS 3340 LS	05.2013 -	290	394	10677	4266	
ANTOS 3340 LS	07.2012 -	290	394	10677	4050	
ANTOS 3340 LS	07.2012 -	290	394	10677	4091	
ANTOS 3340 LS	07.2012 -	290	394	10677	4266	
ANTOS 3342 L	05.2013 -	310	421	12809	4050	
ANTOS 3342 L	05.2013 -	310	421	12809	4266	
ANTOS 3342 L	07.2012 -	310	422	12809	4050	
ANTOS 3342 L	07.2012 -	310	422	12809	4091	
ANTOS 3342 L	07.2012 -	310	422	12809	4266	
ANTOS 3342 LS	05.2013 -	310	421	12809	4050	
ANTOS 3342 LS	05.2013 -	310	421	12809	4266	
ANTOS 3342 LS	07.2012 -	310	422	12809	4050	
ANTOS 3342 LS	07.2012 -	310	422	12809	4091	
ANTOS 3342 LS	07.2012 -	310	422	12809	4266	
ANTOS 3343 L	05.2013 -	315	428	10677	4050	
ANTOS 3343 L	05.2013 -	315	428	10677	4266	
ANTOS 3343 L	07.2012 -	315	428	10677	4091	
ANTOS 3343 L	07.2012 -	315	428	10677	4266	
ANTOS 3343 LS	05.2013 -	315	428	10677	4050	
ANTOS 3343 LS	05.2013 -	315	428	10677	4266	
ANTOS 3343 LS	07.2012 -	315	428	10677	4050	
ANTOS 3343 LS	07.2012 -	315	428	10677	4091	
ANTOS 3343 LS	07.2012 -	315	428	10677	4266	
ANTOS 3345 L	05.2013 -	330	449	12809	4050	
ANTOS 3345 L	05.2013 -	330	449	12809	4266	
ANTOS 3345 L	07.2012 -	330	449	12809	4050	
ANTOS 3345 L	07.2012 -	330	449	12809	4091	
ANTOS 3345 L	07.2012 -	330	449	12809	4266	
ANTOS 3345 LS	05.2013 -	330	449	12809	4050	
ANTOS 3345 LS	05.2013 -	330	449	12809	4266	
ANTOS 3345 LS	07.2012 -	330	449	12809	4050	
ANTOS 3345 LS	07.2012 -	330	449	12809	4091	
ANTOS 3345 LS	07.2012 -	330	449	12809	4266	
ANTOS 3346 L	07.2015 -	335	455	10677	4050	
ANTOS 3346 LS	07.2015 -	335	455	10677	4050	
ANTOS 3348 L	05.2013 -	350	476	12809	4050	
ANTOS 3348 L	05.2013 -	350	476	12809	4266	
ANTOS 3348 L	07.2012 -	350	476	12809	4050	
ANTOS 3348 L	07.2012 -	350	476	12809	4091	
ANTOS 3348 L	07.2012 -	350	476	12809	4266	
ANTOS 3348 LS	05.2013 -	350	476	12809	4050	
ANTOS 3348 LS	05.2013 -	350	476	12809	4266	
ANTOS 3348 LS	07.2012 -	350	476	12809	4050	
ANTOS 3348 LS	07.2012 -	350	476	12809	4266	
ANTOS 3348 LS	07.2012 -	350	476	12809	3789	3789
ANTOS 3348 LS	07.2012 -	350	476	12809	3789/1	3789/1
ANTOS 3351 L	05.2013 -	375	510	12809	4050	
ANTOS 3351 L	05.2013 -	375	510	12809	4266	
ANTOS 3351 L	07.2012 -	375	510	12809	4050	
ANTOS 3351 L	07.2012 -	375	510	12809	4266	
ANTOS 3351 L	07.2012 -	375	510	12809	3789	3789
ANTOS 3351 L	07.2012 -	375	510	12809	3789/1	3789/1
ANTOS 3351 LS	05.2013 -	375	510	12809	4050	
ANTOS 3351 LS	05.2013 -	375	510	12809	4266	

**MAKE & MODEL****YEAR****KW****PS****CC****MERCEDES-BENZ**

ANTOS 3351 LS	07.2012 -	375	510	12809	4050	
ANTOS 3351 LS	07.2012 -	375	510	12809	4266	
ANTOS 3351 LS	07.2012 -	375	510	12809	3789	3789
ANTOS 3351 LS	07.2012 -	375	510	12809	3789/1	3789/1
ANTOS 3352 L	05.2013 -	380	517	15569	4050	
ANTOS 3352 L	09.2012 -	380	517	15569	4050	
ANTOS 3352 L	09.2012 -	380	517	15569	4266	
ANTOS 3352 LS	05.2013 -	380	517	15569	4050	
ANTOS 3352 LS	09.2012 -	380	517	15569	4050	
ANTOS 3352 LS	09.2012 -	380	517	15569	4266	
ANTOS 3353 L	07.2015 -	390	530	12809	4050	
ANTOS 3353 LS	07.2015 -	390	530	12809	4050	
ANTOS 3358 L	05.2013 -	425	578	15569	4050	
ANTOS 3358 L	09.2012 -	425	578	15569	4050	
ANTOS 3358 LS	05.2013 -	425	578	15569	4050	
ANTOS 3358 LS	09.2012 -	425	578	15569	4050	
ANTOS 3358 LS	09.2012 -	425	578	15569	4266	
ANTOS 3363 L	05.2013 -	460	625	15569	4050	
ANTOS 3363 L	09.2012 -	460	625	15569	4050	
ANTOS 3363 LS	05.2013 -	460	625	15569	4050	
ANTOS 3363 LS	09.2012 -	460	625	15569	4050	
ANTOS 3363 LS	09.2012 -	460	625	15569	4266	
AROCS 1824	01.2013 -	175	238	7698	4050	4051
AROCS 1824	01.2013 -	175	238	7698	4266	
AROCS 1824 A	01.2013 -	175	238	7698		4051
AROCS 1824 AK	01.2013 -	175	238	7698		4051
AROCS 1824 K	01.2013 -	175	238	7698	4050	4051
AROCS 1824 K	01.2013 -	175	238	7698	4266	
AROCS 1824 L	05.2013 -	175	238	7698	4266	
AROCS 1824 LK	05.2013 -	175	238	7698	4266	
AROCS 1824 LS	01.2013 -	175	238	7698	4050	4051
AROCS 1824 LS	01.2013 -	175	238	7698	4266	
AROCS 1824 LS	05.2013 -	175	238	7698	4050	
AROCS 1824 LS	05.2013 -	175	238	7698	4266	
AROCS 1827	01.2013 -	200	272	7698	4050	4051
AROCS 1827	01.2013 -	200	272	7698	4266	
AROCS 1827 A	01.2013 -	200	272	7698		4051
AROCS 1827 AK	01.2013 -	200	272	7698		4051
AROCS 1827 K	01.2013 -	200	272	7698	4050	4051
AROCS 1827 K	01.2013 -	200	272	7698	4266	
AROCS 1827 L	05.2013 -	200	272	7698	4266	
AROCS 1827 LK	05.2013 -	200	272	7698	4266	
AROCS 1827 LS	01.2013 -	200	272	7698	4050	4051
AROCS 1827 LS	01.2013 -	200	272	7698	4266	
AROCS 1827 LS	05.2013 -	200	272	7698	4050	
AROCS 1827 LS	05.2013 -	200	272	7698	4266	
AROCS 1830	01.2013 -	220	299	7698	4050	4051
AROCS 1830	01.2013 -	220	299	7698	4266	
AROCS 1830 A	01.2013 -	220	299	7698		4051
AROCS 1830 AK	01.2013 -	220	299	7698		4051
AROCS 1830 K	01.2013 -	220	299	7698	4050	4051
AROCS 1830 K	01.2013 -	220	299	7698	4266	
AROCS 1830 L	05.2013 -	220	299	7698	4266	
AROCS 1830 LK	05.2013 -	220	299	7698	4266	
AROCS 1830 LS	05.2013 -	220	299	7698	4050	
AROCS 1830 LS	05.2013 -	220	299	7698	4266	
AROCS 1830 S, 1830 LS	01.2013 -	220	299	7698	4050	4051
AROCS 1830 S, 1830 LS	01.2013 -	220	299	7698	4266	
AROCS 1832	01.2013 -	235	320	7698	4050	4051
AROCS 1832	01.2013 -	235	320	7698	4266	
AROCS 1832 A	01.2013 -	235	320	7698		4051
AROCS 1832 AK	01.2013 -	235	320	7698		4051
AROCS 1832 K	01.2013 -	235	320	7698	4050	4051
AROCS 1832 K	01.2013 -	235	320	7698	4266	
AROCS 1832 L	05.2013 -	235	320	7698	4266	
AROCS 1832 LK	05.2013 -	235	320	7698	4266	
AROCS 1832 LS	05.2013 -	235	320	7698	4050	

**MAKE & MODEL****YEAR****KW****PS****CC****MERCEDES-BENZ**

AROCS 1832 LS	05.2013 -	235	320	7698	4266	
AROCS 1832 S, 1832 LS	01.2013 -	235	320	7698	4050	4051
AROCS 1832 S, 1832 LS	01.2013 -	235	320	7698	4266	
AROCS 1833	01.2013 -	240	326	10677	4050	4051
AROCS 1833	01.2013 -	240	326	10677	4266	
AROCS 1833 A	01.2013 -	240	326	10677		4051
AROCS 1833 AK	01.2013 -	240	326	10677		4051
AROCS 1833 AS	01.2013 -	240	326	10677		4051
AROCS 1833 K	01.2013 -	240	326	10677	4050	4051
AROCS 1833 K	01.2013 -	240	326	10677	4266	
AROCS 1833 L	05.2013 -	240	326	10677	4266	
AROCS 1833 LK	05.2013 -	240	326	10677	4266	
AROCS 1833 LS	01.2013 -	240	326	10677	4050	4051
AROCS 1833 LS	01.2013 -	240	326	10677	4266	
AROCS 1833 LS	05.2013 -	240	326	10677	4050	
AROCS 1833 LS	05.2013 -	240	326	10677	4266	
AROCS 1835	01.2013 -	260	354	7698	4050	4051
AROCS 1835	01.2013 -	260	354	7698	4266	
AROCS 1835 A	01.2013 -	260	354	7698		4051
AROCS 1835 AK	01.2013 -	260	354	7698		4051
AROCS 1835 K	01.2013 -	260	354	7698	4050	4051
AROCS 1835 K	01.2013 -	260	354	7698	4266	
AROCS 1835 L	05.2013 -	260	354	7698	4266	
AROCS 1835 LK	05.2013 -	260	354	7698	4266	
AROCS 1835 LS	05.2013 -	260	354	7698	4050	
AROCS 1835 LS	05.2013 -	260	354	7698	4266	
AROCS 1835 S, 1835 LS	01.2013 -	260	354	7698	4050	4051
AROCS 1835 S, 1835 LS	01.2013 -	260	354	7698	4266	
AROCS 1836	01.2013 -	265	360	10677	4050	4051
AROCS 1836	01.2013 -	265	360	10677	4266	
AROCS 1836 A	01.2013 -	265	360	10677		4051
AROCS 1836 AK	01.2013 -	265	360	10677		4051
AROCS 1836 AS	01.2013 -	265	360	10677		4051
AROCS 1836 K	01.2013 -	265	360	10677	4050	4051
AROCS 1836 K	01.2013 -	265	360	10677	4266	
AROCS 1836 L	05.2013 -	265	360	10677	4266	
AROCS 1836 LK	05.2013 -	265	360	10677	4266	
AROCS 1836 LS	05.2013 -	265	360	10677	4050	
AROCS 1836 LS	05.2013 -	265	360	10677	4266	
AROCS 1836 S, 1836 LS	01.2013 -	265	360	10677	4050	4051
AROCS 1836 S, 1836 LS	01.2013 -	265	360	10677	4266	
AROCS 1840	01.2013 -	290	394	10677	4050	4051
AROCS 1840	01.2013 -	290	394	10677	4266	
AROCS 1840 A	01.2013 -	290	394	10677		4051
AROCS 1840 AK	01.2013 -	290	394	10677		4051
AROCS 1840 AS	01.2013 -	290	394	10677		4051
AROCS 1840 K	01.2013 -	290	394	10677	4050	4051
AROCS 1840 K	01.2013 -	290	394	10677	4266	
AROCS 1840 L	05.2013 -	290	394	10677	4266	
AROCS 1840 LK	05.2013 -	290	394	10677	4266	
AROCS 1840 LS	01.2013 -	290	394	10677	4050	4051
AROCS 1840 LS	01.2013 -	290	394	10677	4266	
AROCS 1840 LS	05.2013 -	290	394	10677	4050	
AROCS 1840 LS	05.2013 -	290	394	10677	4266	
AROCS 1842	01.2013 -	310	422	12809	4050	4051
AROCS 1842	01.2013 -	310	422	12809	4266	
AROCS 1842 A	01.2013 -	310	422	12809		4051
AROCS 1842 AK	01.2013 -	310	422	12809		4051
AROCS 1842 AS	01.2013 -	310	422	12809		4051
AROCS 1842 K	01.2013 -	310	422	12809	4050	4051
AROCS 1842 K	01.2013 -	310	422	12809	4266	
AROCS 1842 L	05.2013 -	310	421	12809	4266	
AROCS 1842 LK	05.2013 -	310	421	12809	4266	
AROCS 1842 LS	01.2013 -	310	422	12809	4050	4051
AROCS 1842 LS	01.2013 -	310	422	12809	4266	
AROCS 1842 LS	05.2013 -	310	421	12809	4050	
AROCS 1842 LS	05.2013 -	310	421	12809	4266	

**MAKE & MODEL****YEAR****KW****PS****CC****MERCEDES-BENZ**

AROCS 1843	01.2013 -	315	428	10677	4050	4051
AROCS 1843	01.2013 -	315	428	10677	4266	
AROCS 1843 A	01.2013 -	315	428	10677		4051
AROCS 1843 AK	01.2013 -	315	428	10677		4051
AROCS 1843 AS	01.2013 -	315	428	10677		4051
AROCS 1843 K	01.2013 -	315	428	10677	4050	4051
AROCS 1843 K	01.2013 -	315	428	10677	4266	
AROCS 1843 L	05.2013 -	315	428	10677	4266	
AROCS 1843 LK	05.2013 -	315	428	10677	4266	
AROCS 1843 LS	01.2013 -	315	428	10677	4050	4051
AROCS 1843 LS	01.2013 -	315	428	10677	4266	
AROCS 1843 LS	05.2013 -	315	428	10677	4050	
AROCS 1843 LS	05.2013 -	315	428	10677	4266	
AROCS 1845	01.2013 -	330	449	12809	4050	4051
AROCS 1845	01.2013 -	330	449	12809	4266	
AROCS 1845 A	01.2013 -	330	449	12809		4051
AROCS 1845 AK	01.2013 -	330	449	12809		4051
AROCS 1845 AS	01.2013 -	330	449	12809		4051
AROCS 1845 K	01.2013 -	330	449	12809	4050	4051
AROCS 1845 K	01.2013 -	330	449	12809	4266	
AROCS 1845 L	05.2013 -	330	449	12809	4266	
AROCS 1845 LK	05.2013 -	330	449	12809	4266	
AROCS 1845 LS	01.2013 -	330	449	12809	4050	4051
AROCS 1845 LS	01.2013 -	330	449	12809	4266	
AROCS 1845 LS	05.2013 -	330	449	12809	4050	
AROCS 1845 LS	05.2013 -	330	449	12809	4266	
AROCS 1846	07.2015 -	335	455	10677	4050	
AROCS 1846 K	07.2015 -	335	455	10677	4050	
AROCS 1846 LS	07.2015 -	335	455	10677	4050	
AROCS 1848	01.2013 -	350	476	12809	4050	4051
AROCS 1848	01.2013 -	350	476	12809	4266	
AROCS 1848 A	01.2013 -	350	476	12809		4051
AROCS 1848 AK	01.2013 -	350	476	12809		4051
AROCS 1848 AS	01.2013 -	350	476	12809		4051
AROCS 1848 K	01.2013 -	350	476	12809	4050	4051
AROCS 1848 K	01.2013 -	350	476	12809	4266	
AROCS 1848 LK	05.2013 -	350	476	12809	4266	
AROCS 1848 LS	01.2013 -	350	476	12809	4050	4051
AROCS 1848 LS	01.2013 -	350	476	12809	4266	
AROCS 1848 LS	05.2013 -	350	476	12809	4050	
AROCS 1848 LS	05.2013 -	350	476	12809	4266	
AROCS 1851	01.2013 -	375	510	12809	4050	4051
AROCS 1851	01.2013 -	375	510	12809	4266	
AROCS 1851 A	01.2013 -	375	510	12809		4051
AROCS 1851 AK	01.2013 -	375	510	12809		4051
AROCS 1851 AS	01.2013 -	375	510	12809		4051
AROCS 1851 K	01.2013 -	375	510	12809	4050	4051
AROCS 1851 K	01.2013 -	375	510	12809	4266	
AROCS 1851 L	05.2013 -	375	510	12809	4266	
AROCS 1851 LK	05.2013 -	375	510	12809	4266	
AROCS 1851 LS	01.2013 -	375	510	12809	4050	4051
AROCS 1851 LS	01.2013 -	375	510	12809	4266	
AROCS 1851 LS	05.2013 -	375	510	12809	4050	
AROCS 1851 LS	05.2013 -	375	510	12809	4266	
AROCS 1852	05.2013 -	380	517	15569	4050	
AROCS 1852	05.2013 -	380	517	15569	4266	
AROCS 1852 L	05.2013 -	380	517	15569	4266	
AROCS 1852 LS	05.2013 -	380	517	15569	4050	
AROCS 1852 LS	05.2013 -	380	517	15569	4266	
AROCS 1853	07.2015 -	390	530	12809	4050	
AROCS 1853 K	07.2015 -	390	530	12809	4050	
AROCS 1853 LS	07.2015 -	390	530	12809	4050	
AROCS 1858	05.2013 -	425	578	15569	4050	
AROCS 1858	05.2013 -	425	578	15569	4266	
AROCS 1858 L	05.2013 -	425	578	15569	4266	
AROCS 1858 LS	05.2013 -	425	578	15569	4050	
AROCS 1858 LS	05.2013 -	425	578	15569	4266	



**MAKE & MODEL****YEAR****KW****PS****CC****MERCEDES-BENZ**

AROCS 1863	05.2013 -	460	625	15569	4050	
AROCS 1863	05.2013 -	460	625	15569	4266	
AROCS 1863 L	05.2013 -	460	625	15569	4266	
AROCS 1863 LS	05.2013 -	460	625	15569	4050	
AROCS 1863 LS	05.2013 -	460	625	15569	4266	
AROCS 2024	01.2013 -	175	238	7698	4050	4051
AROCS 2024	01.2013 -	175	238	7698	4266	
AROCS 2024 K	01.2013 -	175	238	7698	4050	4051
AROCS 2024 K	01.2013 -	175	238	7698	4266	
AROCS 2024 L	05.2013 -	175	238	7698	4266	
AROCS 2024 LK	05.2013 -	175	238	7698	4266	
AROCS 2024 LS	05.2013 -	175	238	7698	4050	
AROCS 2024 LS	05.2013 -	175	238	7698	4266	
AROCS 2024 S, 2424 LS	01.2013 -	175	238	7698	4050	4051
AROCS 2024 S, 2424 LS	01.2013 -	175	238	7698	4266	
AROCS 2027	01.2013 -	200	272	7698	4050	4051
AROCS 2027	01.2013 -	200	272	7698	4266	
AROCS 2027 K	01.2013 -	200	272	7698	4050	4051
AROCS 2027 K	01.2013 -	200	272	7698	4266	
AROCS 2027 L	05.2013 -	200	272	7698	4266	
AROCS 2027 LK	05.2013 -	200	272	7698	4266	
AROCS 2027 LS	05.2013 -	200	272	7698	4050	
AROCS 2027 LS	05.2013 -	200	272	7698	4266	
AROCS 2027 S, 2027 LS	01.2013 -	200	272	7698	4050	4051
AROCS 2027 S, 2027 LS	01.2013 -	200	272	7698	4266	
AROCS 2030	01.2013 -	220	299	7698	4050	4051
AROCS 2030	01.2013 -	220	299	7698	4266	
AROCS 2030 K	01.2013 -	220	299	7698	4050	4051
AROCS 2030 K	01.2013 -	220	299	7698	4266	
AROCS 2030 L	05.2013 -	220	299	7698	4266	
AROCS 2030 LK	05.2013 -	220	299	7698	4266	
AROCS 2030 LS	05.2013 -	220	299	7698	4050	
AROCS 2030 LS	05.2013 -	220	299	7698	4266	
AROCS 2030 S, 2030 LS	01.2013 -	220	299	7698	4050	4051
AROCS 2030 S, 2030 LS	01.2013 -	220	299	7698	4266	
AROCS 2032	01.2013 -	235	320	7698	4050	4051
AROCS 2032	01.2013 -	235	320	7698	4266	
AROCS 2032 K	01.2013 -	235	320	7698	4050	4051
AROCS 2032 K	01.2013 -	235	320	7698	4266	
AROCS 2032 L	05.2013 -	235	320	7698	4266	
AROCS 2032 LK	05.2013 -	235	320	7698	4266	
AROCS 2032 LS	05.2013 -	235	320	7698	4050	
AROCS 2032 LS	05.2013 -	235	320	7698	4266	
AROCS 2032 S, 2032 LS	01.2013 -	235	320	7698	4050	4051
AROCS 2032 S, 2032 LS	01.2013 -	235	320	7698	4266	
AROCS 2033	01.2013 -	240	326	10677	4050	4051
AROCS 2033	01.2013 -	240	326	10677	4266	
AROCS 2033 A	01.2013 -	240	326	10677		4051
AROCS 2033 AK	01.2013 -	240	326	10677		4051
AROCS 2033 AS	01.2013 -	240	326	10677		4051
AROCS 2033 K	01.2013 -	240	326	10677	4050	4051
AROCS 2033 K	01.2013 -	240	326	10677	4266	
AROCS 2033 L	05.2013 -	240	326	10677	4266	
AROCS 2033 LK	05.2013 -	240	326	10677	4266	
AROCS 2033 LS	05.2013 -	240	326	10677	4050	
AROCS 2033 S, 2033 LS	01.2013 -	240	326	10677	4050	4051
AROCS 2033 S, 2033 LS	01.2013 -	240	326	10677	4266	
AROCS 2035	01.2013 -	260	354	7698	4050	4051
AROCS 2035	01.2013 -	260	354	7698	4266	
AROCS 2035 K	01.2013 -	260	354	7698	4050	4051
AROCS 2035 K	01.2013 -	260	354	7698	4266	
AROCS 2035 L	05.2013 -	260	354	7698	4266	
AROCS 2035 LK	05.2013 -	260	354	7698	4266	
AROCS 2035 LS	05.2013 -	260	354	7698	4050	
AROCS 2035 LS	05.2013 -	260	354	7698	4266	
AROCS 2035 S, 2035 LS	01.2013 -	260	354	7698	4050	4051
AROCS 2035 S, 2035 LS	01.2013 -	260	354	7698	4266	

**MAKE & MODEL****YEAR****KW****PS****CC****MERCEDES-BENZ**

AROCS 2036	01.2013 -	265	360	10677	4050	4051
AROCS 2036	01.2013 -	265	360	10677	4266	
AROCS 2036 A	01.2013 -	265	360	10677		4051
AROCS 2036 AK	01.2013 -	265	360	10677		4051
AROCS 2036 AS	01.2013 -	265	360	10677		4051
AROCS 2036 K	01.2013 -	265	360	10677	4050	4051
AROCS 2036 K	01.2013 -	265	360	10677	4266	
AROCS 2036 L	05.2013 -	265	360	10677	4266	
AROCS 2036 LK	05.2013 -	265	360	10677	4266	
AROCS 2036 LS	05.2013 -	265	360	10677	4050	
AROCS 2036 LS	05.2013 -	265	360	10677	4266	
AROCS 2036 S, 2036 LS	01.2013 -	265	360	10677	4050	4051
AROCS 2036 S, 2036 LS	01.2013 -	265	360	10677	4266	
AROCS 2040	01.2013 -	290	394	10677	4050	4051
AROCS 2040	01.2013 -	290	394	10677	4266	
AROCS 2040 A	01.2013 -	290	394	10677		4051
AROCS 2040 AK	01.2013 -	290	394	10677		4051
AROCS 2040 AS	01.2013 -	290	394	10677		4051
AROCS 2040 K	01.2013 -	290	394	10677	4050	4051
AROCS 2040 K	01.2013 -	290	394	10677	4266	
AROCS 2040 L	05.2013 -	290	394	10677	4266	
AROCS 2040 LK	05.2013 -	290	394	10677	4266	
AROCS 2040 LS	05.2013 -	290	394	10677	4050	
AROCS 2040 S, 2040 LS	01.2013 -	290	394	10677	4050	4051
AROCS 2040 S, 2040 LS	01.2013 -	290	394	10677	4266	
AROCS 2042	01.2013 -	310	422	12809	4050	4051
AROCS 2042	01.2013 -	310	422	12809	4266	
AROCS 2042 A	01.2013 -	310	422	12809		4051
AROCS 2042 AK	01.2013 -	310	422	12809		4051
AROCS 2042 AS	01.2013 -	310	422	12809		4051
AROCS 2042 K	01.2013 -	310	422	12809	4050	4051
AROCS 2042 K	01.2013 -	310	422	12809	4266	
AROCS 2042 L	05.2013 -	310	421	12809	4266	
AROCS 2042 LK	05.2013 -	310	421	12809	4266	
AROCS 2042 LS	05.2013 -	310	421	12809	4050	
AROCS 2042 LS	05.2013 -	310	421	12809	4266	
AROCS 2042 S, 2042 LS	01.2013 -	310	422	12809	4050	4051
AROCS 2042 S, 2042 LS	01.2013 -	310	422	12809	4266	
AROCS 2043	01.2013 -	315	428	10677	4050	4051
AROCS 2043	01.2013 -	315	428	10677	4266	
AROCS 2043 A	01.2013 -	315	428	10677		4051
AROCS 2043 AK	01.2013 -	315	428	10677		4051
AROCS 2043 AS	01.2013 -	315	428	10677		4051
AROCS 2043 K	01.2013 -	315	428	10677	4050	4051
AROCS 2043 K	01.2013 -	315	428	10677	4266	
AROCS 2043 L	05.2013 -	315	428	10677	4266	
AROCS 2043 LK	05.2013 -	315	428	10677	4266	
AROCS 2043 LS	05.2013 -	315	428	10677	4050	
AROCS 2043 S, 2043 LS	01.2013 -	315	428	10677	4050	4051
AROCS 2043 S, 2043 LS	01.2013 -	315	428	10677	4266	
AROCS 2045	01.2013 -	330	449	12809	4050	4051
AROCS 2045	01.2013 -	330	449	12809	4266	
AROCS 2045 A	01.2013 -	330	449	12809		4051
AROCS 2045 AK	01.2013 -	330	449	12809		4051
AROCS 2045 AS	01.2013 -	330	449	12809		4051
AROCS 2045 K	01.2013 -	330	449	12809	4050	4051
AROCS 2045 K	01.2013 -	330	449	12809	4266	
AROCS 2045 L	05.2013 -	330	449	12809	4266	
AROCS 2045 LK	05.2013 -	330	449	12809	4266	
AROCS 2045 LS	05.2013 -	330	449	12809	4050	
AROCS 2045 LS	05.2013 -	330	449	12809	4266	
AROCS 2045 S, 2045 LS	01.2013 -	330	449	12809	4050	4051
AROCS 2045 S, 2045 LS	01.2013 -	330	449	12809	4266	
AROCS 2046	07.2015 -	335	455	10677	4050	
AROCS 2046 K	07.2015 -	335	455	10677	4050	
AROCS 2046 LS	07.2015 -	335	455	10677	4050	
AROCS 2046 S	07.2015 -	335	455	10677	4050	

**MAKE & MODEL****YEAR****KW****PS****CC****MERCEDES-BENZ**

AROCS 2048	01.2013 -	350	476	12809	4050	4051
AROCS 2048	01.2013 -	350	476	12809	4266	
AROCS 2048 A	01.2013 -	350	476	12809		4051
AROCS 2048 AK	01.2013 -	350	476	12809		4051
AROCS 2048 AS	01.2013 -	350	476	12809		4051
AROCS 2048 K	01.2013 -	350	476	12809	4050	4051
AROCS 2048 K	01.2013 -	350	476	12809	4266	
AROCS 2048 L	05.2013 -	350	476	12809	4266	
AROCS 2048 LK	05.2013 -	350	476	12809	4266	
AROCS 2048 LS	05.2013 -	350	476	12809	4050	
AROCS 2048 LS	05.2013 -	350	476	12809	4266	
AROCS 2048 S, 2048 LS	01.2013 -	350	476	12809	4050	4051
AROCS 2048 S, 2048 LS	01.2013 -	350	476	12809	4266	
AROCS 2051	01.2013 -	375	510	12809	4050	4051
AROCS 2051	01.2013 -	375	510	12809	4266	
AROCS 2051 A	01.2013 -	375	510	12809		4051
AROCS 2051 AK	01.2013 -	375	510	12809		4051
AROCS 2051 AS	01.2013 -	375	510	12809		4051
AROCS 2051 K	01.2013 -	375	510	12809	4050	4051
AROCS 2051 K	01.2013 -	375	510	12809	4266	
AROCS 2051 L	05.2013 -	375	510	12809	4266	
AROCS 2051 LK	05.2013 -	375	510	12809	4266	
AROCS 2051 LS	05.2013 -	375	510	12809	4050	
AROCS 2051 LS	05.2013 -	375	510	12809	4266	
AROCS 2051 S, 2051 LS	01.2013 -	375	510	12809	4050	4051
AROCS 2051 S, 2051 LS	01.2013 -	375	510	12809	4266	
AROCS 2052	05.2013 -	380	517	15569	4050	
AROCS 2052	05.2013 -	380	517	15569	4266	
AROCS 2052 L	05.2013 -	380	517	15569	4266	
AROCS 2052 LS	05.2013 -	380	517	15569	4050	
AROCS 2052 LS	05.2013 -	380	517	15569	4266	
AROCS 2052 S	05.2013 -	380	517	15569	4050	
AROCS 2052 S	05.2013 -	380	517	15569	4266	
AROCS 2053	07.2015 -	390	530	12809	4050	
AROCS 2053 K	07.2015 -	390	530	12809	4050	
AROCS 2053 LS	07.2015 -	390	530	12809	4050	
AROCS 2053 S	07.2015 -	390	530	12809	4050	
AROCS 2058	05.2013 -	425	578	15569	4050	
AROCS 2058	05.2013 -	425	578	15569	4266	
AROCS 2058 L	05.2013 -	425	578	15569	4266	
AROCS 2058 LS	05.2013 -	425	578	15569	4050	
AROCS 2058 LS	05.2013 -	425	578	15569	4266	
AROCS 2058 S	05.2013 -	425	578	15569	4050	
AROCS 2063	05.2013 -	460	625	15569	4050	
AROCS 2063	05.2013 -	460	625	15569	4266	
AROCS 2063 L	05.2013 -	460	625	15569	4266	
AROCS 2063 LS	05.2013 -	460	625	15569	4050	
AROCS 2063 LS	05.2013 -	460	625	15569	4266	
AROCS 2063 S	05.2013 -	460	625	15569	4050	
AROCS 2524 L	05.2013 -	175	238	7698	4050	
AROCS 2524 LS	05.2013 -	175	238	7698	4050	
AROCS 2527 L	01.2013 -	200	272	7698	4050	4051
AROCS 2527 L	01.2013 -	200	272	7698	4266	
AROCS 2527 L	05.2013 -	200	272	7698	4050	
AROCS 2527 LS	01.2013 -	200	272	7698	4050	4051
AROCS 2527 LS	01.2013 -	200	272	7698	4266	
AROCS 2527 LS	05.2013 -	200	272	7698	4050	
AROCS 2527 LS	05.2013 -	200	272	7698	4266	
AROCS 2530 L	01.2013 -	220	299	7698	4050	4051
AROCS 2530 L	01.2013 -	220	299	7698	4266	
AROCS 2530 L	05.2013 -	220	299	7698	4050	
AROCS 2530 L	05.2013 -	220	299	7698	4266	
AROCS 2530 LS	01.2013 -	220	299	7698	4050	4051
AROCS 2530 LS	01.2013 -	220	299	7698	4266	
AROCS 2530 LS	05.2013 -	220	299	7698	4050	
AROCS 2530 LS	05.2013 -	220	299	7698	4266	
AROCS 2532 L	01.2013 -	235	320	7698	4050	4051

**MAKE & MODEL****YEAR****KW****PS****CC****MERCEDES-BENZ**

AROCS 2532 L	01.2013 -	235	320	7698	4266	
AROCS 2532 L	05.2013 -	235	320	7698	4050	
AROCS 2532 LS	01.2013 -	235	320	7698	4050	4051
AROCS 2532 LS	01.2013 -	235	320	7698	4266	
AROCS 2532 LS	05.2013 -	235	320	7698	4050	
AROCS 2532 LS	05.2013 -	235	320	7698	4266	
AROCS 2533 L	01.2013 -	240	326	10677	4050	4051
AROCS 2533 L	01.2013 -	240	326	10677	4266	
AROCS 2533 L	05.2013 -	240	326	10677	4050	
AROCS 2533 L	05.2013 -	240	326	10677	4266	
AROCS 2533 LS	01.2013 -	240	326	10677	4050	4051
AROCS 2533 LS	01.2013 -	240	326	10677	4266	
AROCS 2533 LS	05.2013 -	240	326	10677	4050	
AROCS 2533 LS	05.2013 -	240	326	10677	4266	
AROCS 2535 L	01.2013 -	260	354	7698	4050	4051
AROCS 2535 L	01.2013 -	260	354	7698	4266	
AROCS 2535 L	05.2013 -	260	354	7698	4050	
AROCS 2535 LS	01.2013 -	260	354	7698	4050	4051
AROCS 2535 LS	01.2013 -	260	354	7698	4266	
AROCS 2535 LS	05.2013 -	260	354	7698	4050	
AROCS 2535 LS	05.2013 -	260	354	7698	4266	
AROCS 2536 L	01.2013 -	265	360	10677	4050	4051
AROCS 2536 L	01.2013 -	265	360	10677	4266	
AROCS 2536 L	05.2013 -	265	360	10677	4050	
AROCS 2536 LS	01.2013 -	265	360	10677	4050	4051
AROCS 2536 LS	01.2013 -	265	360	10677	4266	
AROCS 2536 LS	05.2013 -	265	360	10677	4050	
AROCS 2536 LS	05.2013 -	265	360	10677	4266	
AROCS 2540 L	01.2013 -	290	394	10677	4050	4051
AROCS 2540 L	01.2013 -	290	394	10677	4266	
AROCS 2540 L	05.2013 -	290	394	10677	4050	
AROCS 2540 L	05.2013 -	290	394	10677	4266	
AROCS 2540 LS	01.2013 -	290	394	10677	4050	4051
AROCS 2540 LS	01.2013 -	290	394	10677	4266	
AROCS 2540 LS	05.2013 -	290	394	10677	4050	
AROCS 2540 LS	05.2013 -	290	394	10677	4266	
AROCS 2542 L	01.2013 -	310	422	12809	4050	4051
AROCS 2542 L	01.2013 -	310	422	12809	4266	
AROCS 2542 L	05.2013 -	310	421	12809	4050	
AROCS 2542 L	05.2013 -	310	421	12809	4266	
AROCS 2542 LS	01.2013 -	310	422	12809	4050	4051
AROCS 2542 LS	01.2013 -	310	422	12809	4266	
AROCS 2542 LS	05.2013 -	310	421	12809	4050	
AROCS 2542 LS	05.2013 -	310	421	12809	4266	
AROCS 2543 L	01.2013 -	315	428	10677	4050	4051
AROCS 2543 L	01.2013 -	315	428	10677	4266	
AROCS 2543 L	05.2013 -	315	428	10677	4050	
AROCS 2543 LS	01.2013 -	315	428	10677	4050	4051
AROCS 2543 LS	01.2013 -	315	428	10677	4266	
AROCS 2543 LS	05.2013 -	315	428	10677	4050	
AROCS 2543 LS	05.2013 -	315	428	10677	4266	
AROCS 2545 L	01.2013 -	330	449	12809	4050	4051
AROCS 2545 L	01.2013 -	330	449	12809	4266	
AROCS 2545 L	05.2013 -	330	449	12809	4050	
AROCS 2545 L	05.2013 -	330	449	12809	4266	
AROCS 2545 LS	01.2013 -	330	449	12809	4050	4051
AROCS 2545 LS	01.2013 -	330	449	12809	4266	
AROCS 2545 LS	05.2013 -	330	449	12809	4050	
AROCS 2545 LS	05.2013 -	330	449	12809	4266	
AROCS 2546 L	07.2015 -	335	455	10677	4050	
AROCS 2546 LS	07.2015 -	335	455	10677	4050	
AROCS 2548 L	01.2013 -	350	476	12809	4050	4051
AROCS 2548 L	01.2013 -	350	476	12809	4266	
AROCS 2548 L	05.2013 -	350	476	12809	4050	
AROCS 2548 L	05.2013 -	350	476	12809	4266	
AROCS 2548 LS	01.2013 -	350	476	12809	4050	4051
AROCS 2548 LS	01.2013 -	350	476	12809	4266	

**MAKE & MODEL****YEAR****KW****PS****CC****MERCEDES-BENZ**

AROCS 2548 LS	05.2013 -	350	476	12809	4050	
AROCS 2548 LS	05.2013 -	350	476	12809	4266	
AROCS 2551 L	01.2013 -	375	510	12809	4050	4051
AROCS 2551 L	01.2013 -	375	510	12809	4266	
AROCS 2551 L	05.2013 -	375	510	12809	4050	
AROCS 2551 L	05.2013 -	375	510	12809	4266	
AROCS 2551 LS	01.2013 -	375	510	12809	4050	4051
AROCS 2551 LS	01.2013 -	375	510	12809	4266	
AROCS 2551 LS	05.2013 -	375	510	12809	4050	
AROCS 2551 LS	05.2013 -	375	510	12809	4266	
AROCS 2552 L	01.2014 -	380	517	15569	4050	4051
AROCS 2552 L	01.2014 -	380	517	15569	4266	
AROCS 2552 L	05.2013 -	380	517	15569	4050	
AROCS 2552 L	05.2013 -	380	517	15569	4266	
AROCS 2552 LS	05.2013 -	380	517	15569	4050	
AROCS 2553 L	07.2015 -	390	530	12809	4050	
AROCS 2553 LS	07.2015 -	390	530	12809	4050	
AROCS 2558 L	01.2014 -	425	578	15569	4050	4051
AROCS 2558 L	01.2014 -	425	578	15569	4266	
AROCS 2558 L	05.2013 -	425	578	15569	4050	
AROCS 2558 L	05.2013 -	425	578	15569	4266	
AROCS 2558 LS	05.2013 -	425	578	15569	4050	
AROCS 2563 L	01.2014 -	460	625	15569	4050	4051
AROCS 2563 L	01.2014 -	460	625	15569	4266	
AROCS 2563 L	05.2013 -	460	625	15569	4050	
AROCS 2563 L	05.2013 -	460	625	15569	4266	
AROCS 2563 LS	05.2013 -	460	625	15569	4050	
AROCS 2624	05.2013 -	175	238	7698	4050	
AROCS 2624 B	05.2013 -	175	238	7698	4050	
AROCS 2624 K	05.2013 -	175	238	7698	4050	
AROCS 2624 L	05.2013 -	175	238	7698	4050	
AROCS 2624 LB	05.2013 -	175	238	7698	4050	
AROCS 2624 LK	05.2013 -	175	238	7698	4050	
AROCS 2624 LS	05.2013 -	175	238	7698	4050	
AROCS 2624 S	05.2013 -	175	238	7698	4050	
AROCS 2627 B, 2627 LB	01.2013 -	200	272	7698	4050	4051
AROCS 2627 B, 2627 LB	01.2013 -	200	272	7698	4266	
AROCS 2627 K, 2627 LK	01.2013 -	200	272	7698	4050	4051
AROCS 2627 K, 2627 LK	01.2013 -	200	272	7698	4266	
AROCS 2627 L	01.2013 -	200	272	7698	4050	4051
AROCS 2627 L	01.2013 -	200	272	7698	4266	
AROCS 2627 L	05.2013 -	200	272	7698	4050	
AROCS 2627 L	05.2013 -	200	272	7698	4266	
AROCS 2627 LB	05.2013 -	200	272	7698	4050	
AROCS 2627 LB	05.2013 -	200	272	7698	4266	
AROCS 2627 LK	05.2013 -	200	272	7698	4050	
AROCS 2627 LK	05.2013 -	200	272	7698	4266	
AROCS 2627 LS	01.2013 -	200	272	7698	4050	4051
AROCS 2627 LS	01.2013 -	200	272	7698	4266	
AROCS 2627 LS	05.2013 -	200	272	7698	4050	
AROCS 2627 S, 2627 LS	01.2013 -	200	272	7698	4050	4051
AROCS 2627 S, 2627 LS	01.2013 -	200	272	7698	4266	
AROCS 2627, 2627 L	01.2013 -	200	272	7698	4050	4051
AROCS 2627, 2627 L	01.2013 -	200	272	7698	4266	
AROCS 2630 B, 2630 LB	01.2013 -	220	299	7698	4050	4051
AROCS 2630 B, 2630 LB	01.2013 -	220	299	7698	4266	
AROCS 2630 K, 2630 LK	01.2013 -	220	299	7698	4050	4051
AROCS 2630 K, 2630 LK	01.2013 -	220	299	7698	4266	
AROCS 2630 L	01.2013 -	220	299	7698	4050	4051
AROCS 2630 L	01.2013 -	220	299	7698	4266	
AROCS 2630 L	05.2013 -	220	299	7698	4050	
AROCS 2630 L	05.2013 -	220	299	7698	4266	
AROCS 2630 LB	05.2013 -	220	299	7698	4050	
AROCS 2630 LB	05.2013 -	220	299	7698	4266	
AROCS 2630 LK	05.2013 -	220	299	7698	4050	
AROCS 2630 LK	05.2013 -	220	299	7698	4266	
AROCS 2630 LS	01.2013 -	220	299	7698	4050	4051

**MAKE & MODEL****YEAR****KW****PS****CC****MERCEDES-BENZ**

AROCS 2630 LS	01.2013 -	220	299	7698	4266	
AROCS 2630 LS	05.2013 -	220	299	7698	4050	
AROCS 2630 S, 2630 LS	01.2013 -	220	299	7698	4050	4051
AROCS 2630 S, 2630 LS	01.2013 -	220	299	7698	4266	
AROCS 2630, 2630 L	01.2013 -	220	299	7698	4050	4051
AROCS 2630, 2630 L	01.2013 -	220	299	7698	4266	
AROCS 2632 B, 2632 LB	01.2013 -	235	320	7698	4050	4051
AROCS 2632 B, 2632 LB	01.2013 -	235	320	7698	4266	
AROCS 2632 K, 2632 LK	01.2013 -	235	320	7698	4050	4051
AROCS 2632 K, 2632 LK	01.2013 -	235	320	7698	4266	
AROCS 2632 L	01.2013 -	235	320	7698	4050	4051
AROCS 2632 L	01.2013 -	235	320	7698	4266	
AROCS 2632 L	05.2013 -	235	320	7698	4050	
AROCS 2632 L	05.2013 -	235	320	7698	4266	
AROCS 2632 LB	05.2013 -	235	320	7698	4050	
AROCS 2632 LB	05.2013 -	235	320	7698	4266	
AROCS 2632 LK	05.2013 -	235	320	7698	4050	
AROCS 2632 LK	05.2013 -	235	320	7698	4266	
AROCS 2632 LS	01.2013 -	235	320	7698	4050	4051
AROCS 2632 LS	01.2013 -	235	320	7698	4266	
AROCS 2632 LS	05.2013 -	235	320	7698	4050	
AROCS 2632 S, 2632 LS	01.2013 -	235	320	7698	4050	4051
AROCS 2632 S, 2632 LS	01.2013 -	235	320	7698	4266	
AROCS 2632, 2632 L	01.2013 -	235	320	7698	4050	4051
AROCS 2632, 2632 L	01.2013 -	235	320	7698	4266	
AROCS 2633 B, 2633 LB	01.2013 -	240	326	10677	4050	4051
AROCS 2633 B, 2633 LB	01.2013 -	240	326	10677	4266	
AROCS 2633 K, 2633 LK	01.2013 -	240	326	10677	4050	4051
AROCS 2633 K, 2633 LK	01.2013 -	240	326	10677	4266	
AROCS 2633 L	01.2013 -	240	326	10677	4050	4051
AROCS 2633 L	01.2013 -	240	326	10677	4266	
AROCS 2633 L	05.2013 -	240	326	10677	4050	
AROCS 2633 L	05.2013 -	240	326	10677	4266	
AROCS 2633 LB	05.2013 -	240	326	10677	4050	
AROCS 2633 LB	05.2013 -	240	326	10677	4266	
AROCS 2633 LK	05.2013 -	240	326	10677	4050	
AROCS 2633 LK	05.2013 -	240	326	10677	4266	
AROCS 2633 LS	01.2013 -	240	326	10677	4050	4051
AROCS 2633 LS	01.2013 -	240	326	10677	4266	
AROCS 2633 LS	05.2013 -	240	326	10677	4050	
AROCS 2633 LS	05.2013 -	240	326	10677	4266	
AROCS 2633 S, 2633 LS	01.2013 -	240	326	10677	4050	4051
AROCS 2633 S, 2633 LS	01.2013 -	240	326	10677	4266	
AROCS 2633, 2633 L	01.2013 -	240	326	10677	4050	4051
AROCS 2633, 2633 L	01.2013 -	240	326	10677	4266	
AROCS 2635 B, 2635 LB	01.2013 -	260	354	7698	4050	4051
AROCS 2635 B, 2635 LB	01.2013 -	260	354	7698	4266	
AROCS 2635 K, 2635 LK	01.2013 -	260	354	7698	4050	4051
AROCS 2635 K, 2635 LK	01.2013 -	260	354	7698	4266	
AROCS 2635 L	01.2013 -	260	354	7698	4050	4051
AROCS 2635 L	01.2013 -	260	354	7698	4266	
AROCS 2635 L	05.2013 -	260	354	7698	4050	
AROCS 2635 L	05.2013 -	260	354	7698	4266	
AROCS 2635 LB	05.2013 -	260	354	7698	4050	
AROCS 2635 LB	05.2013 -	260	354	7698	4266	
AROCS 2635 LK	05.2013 -	260	354	7698	4050	
AROCS 2635 LK	05.2013 -	260	354	7698	4266	
AROCS 2635 LS	01.2013 -	260	354	7698	4050	4051
AROCS 2635 LS	01.2013 -	260	354	7698	4266	
AROCS 2635 LS	05.2013 -	260	354	7698	4050	
AROCS 2635 S, 2635 LS	01.2013 -	260	354	7698	4050	4051
AROCS 2635 S, 2635 LS	01.2013 -	260	354	7698	4266	
AROCS 2635, 2635 L	01.2013 -	260	354	7698	4050	4051
AROCS 2635, 2635 L	01.2013 -	260	354	7698	4266	
AROCS 2636 B, 2636 LB	01.2013 -	265	360	10677	4050	4051
AROCS 2636 B, 2636 LB	01.2013 -	265	360	10677	4266	
AROCS 2636 K, 2636 LK	01.2013 -	265	360	10677	4050	4051



**MAKE & MODEL****YEAR****KW****PS****CC****MERCEDES-BENZ**

AROCS 2636 K, 2636 LK	01.2013 -	265	360	10677	4266	
AROCS 2636 L	01.2013 -	265	360	10677	4050	4051
AROCS 2636 L	01.2013 -	265	360	10677	4266	
AROCS 2636 L	05.2013 -	265	360	10677	4050	
AROCS 2636 L	05.2013 -	265	360	10677	4266	
AROCS 2636 LB	05.2013 -	265	360	10677	4050	
AROCS 2636 LB	05.2013 -	265	360	10677	4266	
AROCS 2636 LK	05.2013 -	265	360	10677	4050	
AROCS 2636 LK	05.2013 -	265	360	10677	4266	
AROCS 2636 LS	01.2013 -	265	360	10677	4050	4051
AROCS 2636 LS	01.2013 -	265	360	10677	4266	
AROCS 2636 LS	05.2013 -	265	360	10677	4050	
AROCS 2636 LS	05.2013 -	265	360	10677	4266	
AROCS 2636 S, 2636 LS	01.2013 -	265	360	10677	4050	4051
AROCS 2636 S, 2636 LS	01.2013 -	265	360	10677	4266	
AROCS 2636, 2636 L	01.2013 -	265	360	10677	4050	4051
AROCS 2636, 2636 L	01.2013 -	265	360	10677	4266	
AROCS 2640 B, 2640 LB	01.2013 -	290	394	10677	4050	4051
AROCS 2640 B, 2640 LB	01.2013 -	290	394	10677	4266	
AROCS 2640 K, 2640 LK	01.2013 -	290	394	10677	4050	4051
AROCS 2640 K, 2640 LK	01.2013 -	290	394	10677	4266	
AROCS 2640 L	01.2013 -	290	394	10677	4050	4051
AROCS 2640 L	01.2013 -	290	394	10677	4266	
AROCS 2640 L	05.2013 -	290	394	10677	4050	
AROCS 2640 L	05.2013 -	290	394	10677	4266	
AROCS 2640 LB	05.2013 -	290	394	10677	4050	
AROCS 2640 LB	05.2013 -	290	394	10677	4266	
AROCS 2640 LK	05.2013 -	290	394	10677	4050	
AROCS 2640 LK	05.2013 -	290	394	10677	4266	
AROCS 2640 LS	01.2013 -	290	394	10677	4050	4051
AROCS 2640 LS	01.2013 -	290	394	10677	4266	
AROCS 2640 LS	05.2013 -	290	394	10677	4050	
AROCS 2640 LS	05.2013 -	290	394	10677	4266	
AROCS 2640 S, 2640 LS	01.2013 -	290	394	10677	4050	4051
AROCS 2640 S, 2640 LS	01.2013 -	290	394	10677	4266	
AROCS 2640, 2640 L	01.2013 -	290	394	10677	4050	4051
AROCS 2640, 2640 L	01.2013 -	290	394	10677	4266	
AROCS 2642 B, 2642 LB	01.2013 -	310	422	12809	4050	4051
AROCS 2642 B, 2642 LB	01.2013 -	310	422	12809	4266	
AROCS 2642 K, 2642 LK	01.2013 -	310	422	12809	4050	4051
AROCS 2642 K, 2642 LK	01.2013 -	310	422	12809	4266	
AROCS 2642 L	01.2013 -	310	422	12809	4050	4051
AROCS 2642 L	01.2013 -	310	422	12809	4266	
AROCS 2642 L	05.2013 -	310	421	12809	4050	
AROCS 2642 LB	05.2013 -	310	421	12809	4050	
AROCS 2642 LB	05.2013 -	310	421	12809	4266	
AROCS 2642 LK	05.2013 -	310	421	12809	4050	
AROCS 2642 LK	05.2013 -	310	421	12809	4266	
AROCS 2642 LS	01.2013 -	310	422	12809	4050	4051
AROCS 2642 LS	05.2013 -	310	421	12809	4050	
AROCS 2642 LS	05.2013 -	310	421	12809	4266	
AROCS 2642 S, 2642 LS	01.2013 -	310	422	12809	4050	4051
AROCS 2642 S, 2642 LS	01.2013 -	310	422	12809	4266	
AROCS 2642, 2642 L	01.2013 -	310	422	12809	4050	4051
AROCS 2642, 2642 L	01.2013 -	310	422	12809	4266	
AROCS 2643 B, 2643 LB	01.2013 -	315	428	10677	4050	4051
AROCS 2643 B, 2643 LB	01.2013 -	315	428	10677	4266	
AROCS 2643 K, 2643 LK	01.2013 -	315	428	10677	4050	4051
AROCS 2643 K, 2643 LK	01.2013 -	315	428	10677	4266	
AROCS 2643 L	01.2013 -	315	428	10677	4050	4051
AROCS 2643 L	01.2013 -	315	428	10677	4266	
AROCS 2643 L	05.2013 -	315	428	10677	4050	
AROCS 2643 L	05.2013 -	315	428	10677	4266	
AROCS 2643 LB	05.2013 -	315	428	10677	4050	
AROCS 2643 LB	05.2013 -	315	428	10677	4266	
AROCS 2643 LK	05.2013 -	315	428	10677	4050	
AROCS 2643 LK	05.2013 -	315	428	10677	4266	

**MAKE & MODEL****YEAR****KW****PS****CC****MERCEDES-BENZ**

AROCS 2643 LS	01.2013 -	315	428	10677	4050	4051
AROCS 2643 LS	01.2013 -	315	428	10677	4266	
AROCS 2643 LS	05.2013 -	315	428	10677	4050	
AROCS 2643 LS	05.2013 -	315	428	10677	4266	
AROCS 2643 S, 2643 LS	01.2013 -	315	428	10677	4050	4051
AROCS 2643 S, 2643 LS	01.2013 -	315	428	10677	4266	
AROCS 2643, 2643 L	01.2013 -	315	428	10677	4050	4051
AROCS 2643, 2643 L	01.2013 -	315	428	10677	4266	
AROCS 2645 B, 2645 LB	01.2013 -	330	449	12809	4050	4051
AROCS 2645 B, 2645 LB	01.2013 -	330	449	12809	4266	
AROCS 2645 K, 2645 LK	01.2013 -	330	449	12809	4050	4051
AROCS 2645 K, 2645 LK	01.2013 -	330	449	12809	4266	
AROCS 2645 L	01.2013 -	330	449	12809	4050	4051
AROCS 2645 L	01.2013 -	330	449	12809	4266	
AROCS 2645 L	05.2013 -	330	449	12809	4050	
AROCS 2645 L	05.2013 -	330	449	12809	4266	
AROCS 2645 LB	05.2013 -	330	449	12809	4050	
AROCS 2645 LB	05.2013 -	330	449	12809	4266	
AROCS 2645 LK	05.2013 -	330	449	12809	4050	
AROCS 2645 LK	05.2013 -	330	449	12809	4266	
AROCS 2645 LS	01.2013 -	330	449	12809	4050	4051
AROCS 2645 LS	01.2013 -	330	449	12809	4266	
AROCS 2645 LS	05.2013 -	330	449	12809	4050	
AROCS 2645 LS	05.2013 -	330	449	12809	4266	
AROCS 2645 S, 2645 LS	01.2013 -	330	449	12809	4050	4051
AROCS 2645 S, 2645 LS	01.2013 -	330	449	12809	4266	
AROCS 2645, 2645 L	01.2013 -	330	449	12809	4050	4051
AROCS 2645, 2645 L	01.2013 -	330	449	12809	4266	
AROCS 2646	07.2015 -	335	455	10677	4050	
AROCS 2646 B	07.2015 -	335	455	10677	4050	
AROCS 2646 K	07.2015 -	335	455	10677	4050	
AROCS 2646 L	07.2015 -	335	455	10677	4050	
AROCS 2646 LB	07.2015 -	335	455	10677	4050	
AROCS 2646 LK	07.2015 -	335	455	10677	4050	
AROCS 2646 LS	07.2015 -	335	455	10677	4050	
AROCS 2646 S	07.2015 -	335	455	10677	4050	
AROCS 2648 B, 2648 LB	01.2013 -	350	476	12809	4050	4051
AROCS 2648 B, 2648 LB	01.2013 -	350	476	12809	4266	
AROCS 2648 K, 2648 LK	01.2013 -	350	476	12809	4050	4051
AROCS 2648 K, 2648 LK	01.2013 -	350	476	12809	4266	
AROCS 2648 L	01.2013 -	350	476	12809	4050	4051
AROCS 2648 L	01.2013 -	350	476	12809	4266	
AROCS 2648 L	05.2013 -	350	476	12809	4050	
AROCS 2648 L	05.2013 -	350	476	12809	4266	
AROCS 2648 LB	05.2013 -	350	476	12809	4050	
AROCS 2648 LB	05.2013 -	350	476	12809	4266	
AROCS 2648 LK	05.2013 -	350	476	12809	4050	
AROCS 2648 LK	05.2013 -	350	476	12809	4266	
AROCS 2648 LS	01.2013 -	350	476	12809	4050	4051
AROCS 2648 LS	01.2013 -	350	476	12809	4266	
AROCS 2648 LS	05.2013 -	350	476	12809	4050	
AROCS 2648 LS	05.2013 -	350	476	12809	4266	
AROCS 2648 S, 2648 LS	01.2013 -	350	476	12809	4050	4051
AROCS 2648 S, 2648 LS	01.2013 -	350	476	12809	4266	
AROCS 2648, 2648 L	01.2013 -	350	476	12809	4050	4051
AROCS 2648, 2648 L	01.2013 -	350	476	12809	4266	
AROCS 2651 B, 2651 LB	01.2013 -	375	510	12809	4050	4051
AROCS 2651 B, 2651 LB	01.2013 -	375	510	12809	4266	
AROCS 2651 K, 2651 LK	01.2013 -	375	510	12809	4050	4051
AROCS 2651 K, 2651 LK	01.2013 -	375	510	12809	4266	
AROCS 2651 L	01.2013 -	375	510	12809	4050	4051
AROCS 2651 L	01.2013 -	375	510	12809	4266	
AROCS 2651 L	05.2013 -	375	510	12809	4050	
AROCS 2651 L	05.2013 -	375	510	12809	4266	
AROCS 2651 LB	05.2013 -	375	510	12809	4050	
AROCS 2651 LB	05.2013 -	375	510	12809	4266	
AROCS 2651 LK	05.2013 -	375	510	12809	4050	

**MAKE & MODEL****YEAR****KW****PS****CC****MERCEDES-BENZ**

AROCS 2651 LK	05.2013 -	375	510	12809	4266	
AROCS 2651 LS	01.2013 -	375	510	12809	4050	4051
AROCS 2651 LS	01.2013 -	375	510	12809	4266	
AROCS 2651 LS	05.2013 -	375	510	12809	4050	
AROCS 2651 LS	05.2013 -	375	510	12809	4266	
AROCS 2651 S, 2651 LS	01.2013 -	375	510	12809	4050	4051
AROCS 2651 S, 2651 LS	01.2013 -	375	510	12809	4266	
AROCS 2651, 2651 L	01.2013 -	375	510	12809	4050	4051
AROCS 2651, 2651 L	01.2013 -	375	510	12809	4266	
AROCS 2652	05.2013 -	380	517	15569	4050	
AROCS 2652	05.2013 -	380	517	15569	4266	
AROCS 2652 K	05.2013 -	380	517	15569	4050	
AROCS 2652 K	05.2013 -	380	517	15569	4266	
AROCS 2652 L	05.2013 -	380	517	15569	4050	
AROCS 2652 L	05.2013 -	380	517	15569	4266	
AROCS 2652 LK	05.2013 -	380	517	15569	4050	
AROCS 2652 LK	05.2013 -	380	517	15569	4266	
AROCS 2652 LS	05.2013 -	380	517	15569	4050	
AROCS 2652 LS	05.2013 -	380	517	15569	4266	
AROCS 2652 S	05.2013 -	380	517	15569	4050	
AROCS 2652 S	05.2013 -	380	517	15569	4266	
AROCS 2653	07.2015 -	390	530	12809	4050	
AROCS 2653 B	07.2015 -	390	530	12809	4050	
AROCS 2653 K	07.2015 -	390	530	12809	4050	
AROCS 2653 L	07.2015 -	390	530	12809	4050	
AROCS 2653 LB	07.2015 -	390	530	12809	4050	
AROCS 2653 LK	07.2015 -	390	530	12809	4050	
AROCS 2653 LS	07.2015 -	390	530	12809	4050	
AROCS 2653 S	07.2015 -	390	530	12809	4050	
AROCS 2658	05.2013 -	425	578	15569	4050	
AROCS 2658	05.2013 -	425	578	15569	4266	
AROCS 2658 K	05.2013 -	425	578	15569	4050	
AROCS 2658 K	05.2013 -	425	578	15569	4266	
AROCS 2658 L	05.2013 -	425	578	15569	4050	
AROCS 2658 L	05.2013 -	425	578	15569	4266	
AROCS 2658 LK	05.2013 -	425	578	15569	4050	
AROCS 2658 LK	05.2013 -	425	578	15569	4266	
AROCS 2658 LS	05.2013 -	425	578	15569	4050	
AROCS 2658 LS	05.2013 -	425	578	15569	4266	
AROCS 2658 S	05.2013 -	425	578	15569	4050	
AROCS 2658 S	05.2013 -	425	578	15569	4266	
AROCS 2663	05.2013 -	460	625	15569	4050	
AROCS 2663	05.2013 -	460	625	15569	4266	
AROCS 2663 K	05.2013 -	460	625	15569	4050	
AROCS 2663 K	05.2013 -	460	625	15569	4266	
AROCS 2663 L	05.2013 -	460	625	15569	4050	
AROCS 2663 L	05.2013 -	460	625	15569	4266	
AROCS 2663 LK	05.2013 -	460	625	15569	4050	
AROCS 2663 LK	05.2013 -	460	625	15569	4266	
AROCS 2663 LS	05.2013 -	460	625	15569	4050	
AROCS 2663 LS	05.2013 -	460	625	15569	4266	
AROCS 2663 S	05.2013 -	460	625	15569	4050	
AROCS 2663 S	05.2013 -	460	625	15569	4266	
AROCS 3224	05.2013 -	175	238	7698	4050	
AROCS 3224 B	05.2013 -	175	238	7698	4050	
AROCS 3224 K	05.2013 -	175	238	7698	4050	
AROCS 3224 L	05.2013 -	175	238	7698	4050	
AROCS 3224 LB	05.2013 -	175	238	7698	4050	
AROCS 3224 LK	05.2013 -	175	238	7698	4050	
AROCS 3227 B, 3227 LB	01.2013 -	200	272	7698	4050	4051
AROCS 3227 B, 3227 LB	01.2013 -	200	272	7698	4266	
AROCS 3227 K	05.2013 -	200	272	7698	4050	
AROCS 3227 K	05.2013 -	200	272	7698	4266	
AROCS 3227 K, 3227 LK	01.2013 -	200	272	7698	4050	4051
AROCS 3227 K, 3227 LK	01.2013 -	200	272	7698	4266	
AROCS 3227 L	01.2013 -	200	272	7698	4050	4051
AROCS 3227 L	01.2013 -	200	272	7698	4266	

**MAKE & MODEL****YEAR****KW****PS****CC****MERCEDES-BENZ**

AROCS 3227 LB	01.2013 -	200	272	7698	4050	4051
AROCS 3227 LB	01.2013 -	200	272	7698	4266	
AROCS 3227 LK	01.2013 -	200	272	7698	4050	4051
AROCS 3227 LK	01.2013 -	200	272	7698	4266	
AROCS 3227, 3227 L	01.2013 -	200	272	7698	4050	4051
AROCS 3227, 3227 L	01.2013 -	200	272	7698	4266	
AROCS 3230 B, 3230 LB	01.2013 -	220	299	7698	4050	4051
AROCS 3230 B, 3230 LB	01.2013 -	220	299	7698	4266	
AROCS 3230 K, 3230 LK	01.2013 -	220	299	7698	4050	4051
AROCS 3230 K, 3230 LK	01.2013 -	220	299	7698	4266	
AROCS 3230 L	01.2013 -	220	299	7698	4050	4051
AROCS 3230 L	01.2013 -	220	299	7698	4266	
AROCS 3230 LB	01.2013 -	220	299	7698	4050	4051
AROCS 3230 LB	01.2013 -	220	299	7698	4266	
AROCS 3230 LK	01.2013 -	220	299	7698	4050	4051
AROCS 3230 LK	01.2013 -	220	299	7698	4266	
AROCS 3230, 3230 L	01.2013 -	220	299	7698	4050	4051
AROCS 3230, 3230 L	01.2013 -	220	299	7698	4266	
AROCS 3232 B, 3232 LB	01.2013 -	235	320	7698	4050	4051
AROCS 3232 B, 3232 LB	01.2013 -	235	320	7698	4266	
AROCS 3232 K, 3232 LK	01.2013 -	235	320	7698	4050	4051
AROCS 3232 K, 3232 LK	01.2013 -	235	320	7698	4266	
AROCS 3232 L	01.2013 -	235	320	7698	4050	4051
AROCS 3232 L	01.2013 -	235	320	7698	4266	
AROCS 3232 LB	01.2013 -	235	320	7698	4050	4051
AROCS 3232 LB	01.2013 -	235	320	7698	4266	
AROCS 3232 LK	01.2013 -	235	320	7698	4050	4051
AROCS 3232 LK	01.2013 -	235	320	7698	4266	
AROCS 3232, 3232 L	01.2013 -	235	320	7698	4050	4051
AROCS 3232, 3232 L	01.2013 -	235	320	7698	4266	
AROCS 3233 B, 3233 LB	01.2013 -	240	326	10677	4050	4051
AROCS 3233 B, 3233 LB	01.2013 -	240	326	10677	4266	
AROCS 3233 K, 3233 LK	01.2013 -	240	326	10677	4050	4051
AROCS 3233 K, 3233 LK	01.2013 -	240	326	10677	4266	
AROCS 3233 L	01.2013 -	240	326	10677	4050	4051
AROCS 3233 L	01.2013 -	240	326	10677	4266	
AROCS 3233 LB	01.2013 -	240	326	10677	4050	4051
AROCS 3233 LB	01.2013 -	240	326	10677	4266	
AROCS 3233 LK	01.2013 -	240	326	10677	4050	4051
AROCS 3233 LK	01.2013 -	240	326	10677	4266	
AROCS 3233, 3233 L	01.2013 -	240	326	10677	4050	4051
AROCS 3233, 3233 L	01.2013 -	240	326	10677	4266	
AROCS 3235 B, 3235 LB	01.2013 -	260	354	7698	4050	4051
AROCS 3235 B, 3235 LB	01.2013 -	260	354	7698	4266	
AROCS 3235 K, 3235 LK	01.2013 -	260	354	7698	4050	4051
AROCS 3235 K, 3235 LK	01.2013 -	260	354	7698	4266	
AROCS 3235 L	01.2013 -	260	354	7698	4050	4051
AROCS 3235 L	01.2013 -	260	354	7698	4266	
AROCS 3235 LB	01.2013 -	260	354	7698	4050	4051
AROCS 3235 LB	01.2013 -	260	354	7698	4266	
AROCS 3235 LK	01.2013 -	260	354	7698	4050	4051
AROCS 3235 LK	01.2013 -	260	354	7698	4266	
AROCS 3235, 3235 L	01.2013 -	260	354	7698	4050	4051
AROCS 3235, 3235 L	01.2013 -	260	354	7698	4266	
AROCS 3236 B, 3236 LB	01.2013 -	265	360	10677	4050	4051
AROCS 3236 B, 3236 LB	01.2013 -	265	360	10677	4266	
AROCS 3236 K, 3236 LK	01.2013 -	265	360	10677	4050	4051
AROCS 3236 K, 3236 LK	01.2013 -	265	360	10677	4266	
AROCS 3236 L	01.2013 -	265	360	10677	4050	4051
AROCS 3236 L	01.2013 -	265	360	10677	4266	
AROCS 3236 LB	01.2013 -	265	360	10677	4050	4051
AROCS 3236 LB	01.2013 -	265	360	10677	4266	
AROCS 3236 LK	01.2013 -	265	360	10677	4050	4051
AROCS 3236 LK	01.2013 -	265	360	10677	4266	
AROCS 3236, 3236 L	01.2013 -	265	360	10677	4050	4051
AROCS 3236, 3236 L	01.2013 -	265	360	10677	4266	
AROCS 3240 B, 3240 LB	01.2013 -	290	394	10677	4050	4051

**MAKE & MODEL****YEAR****KW****PS****CC****MERCEDES-BENZ**

AROCS 3240 B, 3240 LB	01.2013 -	290	394	10677	4266	
AROCS 3240 K, 3240 LK	01.2013 -	290	394	10677	4050	4051
AROCS 3240 K, 3240 LK	01.2013 -	290	394	10677	4266	
AROCS 3240 L	01.2013 -	290	394	10677	4050	4051
AROCS 3240 L	01.2013 -	290	394	10677	4266	
AROCS 3240 LB	01.2013 -	290	394	10677	4050	4051
AROCS 3240 LB	01.2013 -	290	394	10677	4266	
AROCS 3240 LK	01.2013 -	290	394	10677	4050	4051
AROCS 3240 LK	01.2013 -	290	394	10677	4266	
AROCS 3240, 3240 L	01.2013 -	290	394	10677	4050	4051
AROCS 3240, 3240 L	01.2013 -	290	394	10677	4266	
AROCS 3242 B, 3242 LB	01.2013 -	310	422	12809	4050	4051
AROCS 3242 B, 3242 LB	01.2013 -	310	422	12809	4266	
AROCS 3242 K, 3242 LK	01.2013 -	310	422	12809	4050	4051
AROCS 3242 K, 3242 LK	01.2013 -	310	422	12809	4266	
AROCS 3242 L	01.2013 -	310	422	12809	4050	4051
AROCS 3242 L	01.2013 -	310	422	12809	4266	
AROCS 3242 LB	01.2013 -	310	422	12809	4050	4051
AROCS 3242 LB	01.2013 -	310	422	12809	4266	
AROCS 3242 LK	01.2013 -	310	422	12809	4050	4051
AROCS 3242 LK	01.2013 -	310	422	12809	4266	
AROCS 3242, 3242 L	01.2013 -	310	422	12809	4050	4051
AROCS 3242, 3242 L	01.2013 -	310	422	12809	4266	
AROCS 3243 B, 3243 LB	01.2013 -	315	428	10677	4050	4051
AROCS 3243 B, 3243 LB	01.2013 -	315	428	10677	4266	
AROCS 3243 K, 3243 LK	01.2013 -	315	428	10677	4050	4051
AROCS 3243 K, 3243 LK	01.2013 -	315	428	10677	4266	
AROCS 3243 L	01.2013 -	315	428	10677	4050	4051
AROCS 3243 L	01.2013 -	315	428	10677	4266	
AROCS 3243 LB	01.2013 -	315	428	10677	4050	4051
AROCS 3243 LB	01.2013 -	315	428	10677	4266	
AROCS 3243 LK	01.2013 -	315	428	10677	4050	4051
AROCS 3243 LK	01.2013 -	315	428	10677	4266	
AROCS 3243, 3243 L	01.2013 -	315	428	10677	4050	4051
AROCS 3243, 3243 L	01.2013 -	315	428	10677	4266	
AROCS 3245 B, 3245 LB	01.2013 -	330	449	12809	4050	4051
AROCS 3245 B, 3245 LB	01.2013 -	330	449	12809	4266	
AROCS 3245 K, 3245 LK	01.2013 -	330	449	12809	4050	4051
AROCS 3245 K, 3245 LK	01.2013 -	330	449	12809	4266	
AROCS 3245 L	01.2013 -	330	449	12809	4050	4051
AROCS 3245 L	01.2013 -	330	449	12809	4266	
AROCS 3245 LB	01.2013 -	330	449	12809	4050	4051
AROCS 3245 LB	01.2013 -	330	449	12809	4266	
AROCS 3245 LK	01.2013 -	330	449	12809	4050	4051
AROCS 3245 LK	01.2013 -	330	449	12809	4266	
AROCS 3245, 3245 L	01.2013 -	330	449	12809	4050	4051
AROCS 3245, 3245 L	01.2013 -	330	449	12809	4266	
AROCS 3246	07.2015 -	335	455	10677	4050	
AROCS 3246 B	07.2015 -	335	455	10677	4050	
AROCS 3246 K	07.2015 -	335	455	10677	4050	
AROCS 3246 L	07.2015 -	335	455	10677	4050	
AROCS 3246 LB	07.2015 -	335	455	10677	4050	
AROCS 3246 LK	07.2015 -	335	455	10677	4050	
AROCS 3248 B, 3248 LB	01.2013 -	350	476	12809	4050	4051
AROCS 3248 B, 3248 LB	01.2013 -	350	476	12809	4266	
AROCS 3248 K, 3248 LK	01.2013 -	350	476	12809	4050	4051
AROCS 3248 K, 3248 LK	01.2013 -	350	476	12809	4266	
AROCS 3248 L	01.2013 -	350	476	12809	4050	4051
AROCS 3248 L	01.2013 -	350	476	12809	4266	
AROCS 3248 LB	01.2013 -	350	476	12809	4050	4051
AROCS 3248 LB	01.2013 -	350	476	12809	4266	
AROCS 3248 LK	01.2013 -	350	476	12809	4050	4051
AROCS 3248 LK	01.2013 -	350	476	12809	4266	
AROCS 3248, 3248 L	01.2013 -	350	476	12809	4050	4051
AROCS 3248, 3248 L	01.2013 -	350	476	12809	4266	
AROCS 3251 B, 3251 LB	01.2013 -	375	510	12809	4050	4051
AROCS 3251 B, 3251 LB	01.2013 -	375	510	12809	4266	



**MAKE & MODEL****YEAR****KW****PS****CC****MERCEDES-BENZ**

AROCS 3251 K, 3251 LK	01.2013 -	375	510	12809	4050	4051
AROCS 3251 K, 3251 LK	01.2013 -	375	510	12809	4266	
AROCS 3251 L	01.2013 -	375	510	12809	4050	4051
AROCS 3251 L	01.2013 -	375	510	12809	4266	
AROCS 3251 LB	01.2013 -	375	510	12809	4050	4051
AROCS 3251 LB	01.2013 -	375	510	12809	4266	
AROCS 3251 LK	01.2013 -	375	510	12809	4050	4051
AROCS 3251 LK	01.2013 -	375	510	12809	4266	
AROCS 3251, 3251 L	01.2013 -	375	510	12809	4050	4051
AROCS 3251, 3251 L	01.2013 -	375	510	12809	4266	
AROCS 3252	05.2013 -	380	517	15569	4050	
AROCS 3252	05.2013 -	380	517	15569	4266	
AROCS 3252 K	05.2013 -	380	517	15569	4050	
AROCS 3252 K	05.2013 -	380	517	15569	4266	
AROCS 3252 L	05.2013 -	380	517	15569	4050	
AROCS 3252 L	05.2013 -	380	517	15569	4266	
AROCS 3252 LK	05.2013 -	380	517	15569	4050	
AROCS 3252 LK	05.2013 -	380	517	15569	4266	
AROCS 3253	07.2015 -	390	530	12809	4050	
AROCS 3253 B	07.2015 -	390	530	12809	4050	
AROCS 3253 K	07.2015 -	390	530	12809	4050	
AROCS 3253 L	07.2015 -	390	530	12809	4050	
AROCS 3253 LB	07.2015 -	390	530	12809	4050	
AROCS 3253 LK	07.2015 -	390	530	12809	4050	
AROCS 3258	05.2013 -	425	578	15569	4050	
AROCS 3258	05.2013 -	425	578	15569	4266	
AROCS 3258 K	05.2013 -	425	578	15569	4050	
AROCS 3258 K	05.2013 -	425	578	15569	4266	
AROCS 3258 L	05.2013 -	425	578	15569	4050	
AROCS 3258 L	05.2013 -	425	578	15569	4266	
AROCS 3258 LK	05.2013 -	425	578	15569	4050	
AROCS 3258 LK	05.2013 -	425	578	15569	4266	
AROCS 3263	05.2013 -	460	625	15569	4050	
AROCS 3263	05.2013 -	460	625	15569	4266	
AROCS 3263 K	05.2013 -	460	625	15569	4050	
AROCS 3263 K	05.2013 -	460	625	15569	4266	
AROCS 3263 L	05.2013 -	460	625	15569	4050	
AROCS 3263 L	05.2013 -	460	625	15569	4266	
AROCS 3263 LK	05.2013 -	460	625	15569	4050	
AROCS 3263 LK	05.2013 -	460	625	15569	4266	
AROCS 3324 B	05.2013 -	175	238	7698	4050	
AROCS 3327 B	05.2013 -	200	272	7698	4050	
AROCS 3330 B	05.2013 -	220	299	7698	4050	
AROCS 3332 B	05.2013 -	235	320	7698	4050	
AROCS 3332 K	05.2013 -	235	320	7698	4050	
AROCS 3333 A	01.2013 -	240	326	10677		4051
AROCS 3333 AK	01.2013 -	240	326	10677		4051
AROCS 3333 AS	01.2013 -	240	326	10677		4051
AROCS 3333 B, 3333 LB	01.2013 -	240	326	10677	4050	4051
AROCS 3333 B, 3333 LB	01.2013 -	240	326	10677	4266	
AROCS 3333 K, 3333 LK	01.2013 -	240	326	10677	4050	4051
AROCS 3333 K, 3333 LK	01.2013 -	240	326	10677	4266	
AROCS 3333 L	05.2013 -	240	326	10677	4050	
AROCS 3333 L	05.2013 -	240	326	10677	4266	
AROCS 3333 LB	05.2013 -	240	326	10677	4050	
AROCS 3333 LB	05.2013 -	240	326	10677	4266	
AROCS 3333 LK	05.2013 -	240	326	10677	4050	
AROCS 3333 LK	05.2013 -	240	326	10677	4266	
AROCS 3333 LS	05.2013 -	240	326	10677	4050	
AROCS 3333 LS	05.2013 -	240	326	10677	4266	
AROCS 3333 S, 3333 LS	01.2013 -	240	326	10677	4050	4051
AROCS 3333 S, 3333 LS	01.2013 -	240	326	10677	4266	
AROCS 3333, 3333 L	01.2013 -	240	326	10677	4050	4051
AROCS 3333, 3333 L	01.2013 -	240	326	10677	4266	
AROCS 3335 B	05.2013 -	260	354	7698	4050	
AROCS 3335 K	05.2013 -	260	354	7698	4050	
AROCS 3336 A	01.2013 -	265	360	10677		4051



**MAKE & MODEL****YEAR****KW****PS****CC****MERCEDES-BENZ**

AROCS 3336 AK	01.2013 -	265	360	10677		4051
AROCS 3336 AS	01.2013 -	265	360	10677		4051
AROCS 3336 B, 3336 LB	01.2013 -	265	360	10677	4050	4051
AROCS 3336 B, 3336 LB	01.2013 -	265	360	10677	4266	
AROCS 3336 K, 3336 LK	01.2013 -	265	360	10677	4050	4051
AROCS 3336 K, 3336 LK	01.2013 -	265	360	10677	4266	
AROCS 3336 L	05.2013 -	265	360	10677	4050	
AROCS 3336 L	05.2013 -	265	360	10677	4266	
AROCS 3336 LB	05.2013 -	265	360	10677	4050	
AROCS 3336 LB	05.2013 -	265	360	10677	4266	
AROCS 3336 LK	05.2013 -	265	360	10677	4050	
AROCS 3336 LK	05.2013 -	265	360	10677	4266	
AROCS 3336 LS	05.2013 -	265	360	10677	4050	
AROCS 3336 LS	05.2013 -	265	360	10677	4266	
AROCS 3336 S, 3336 LS	01.2013 -	265	360	10677	4050	4051
AROCS 3336 S, 3336 LS	01.2013 -	265	360	10677	4266	
AROCS 3336, 3336 L	01.2013 -	265	360	10677	4050	4051
AROCS 3336, 3336 L	01.2013 -	265	360	10677	4266	
AROCS 3340 A	01.2013 -	290	394	10677		4051
AROCS 3340 AK	01.2013 -	290	394	10677		4051
AROCS 3340 AS	01.2013 -	290	394	10677		4051
AROCS 3340 B, 3340 LB	01.2013 -	290	394	10677	4050	4051
AROCS 3340 B, 3340 LB	01.2013 -	290	394	10677	4266	
AROCS 3340 K, 3340 LK	01.2013 -	290	394	10677	4050	4051
AROCS 3340 K, 3340 LK	01.2013 -	290	394	10677	4266	
AROCS 3340 L	05.2013 -	290	394	10677	4050	
AROCS 3340 L	05.2013 -	290	394	10677	4266	
AROCS 3340 LB	05.2013 -	290	394	10677	4050	
AROCS 3340 LB	05.2013 -	290	394	10677	4266	
AROCS 3340 LK	05.2013 -	290	394	10677	4050	
AROCS 3340 LK	05.2013 -	290	394	10677	4266	
AROCS 3340 LS	05.2013 -	290	394	10677	4050	
AROCS 3340 LS	05.2013 -	290	394	10677	4266	
AROCS 3340 S, 3340 LS	01.2013 -	290	394	10677	4050	4051
AROCS 3340 S, 3340 LS	01.2013 -	290	394	10677	4266	
AROCS 3340, 3340 L	01.2013 -	290	394	10677	4050	4051
AROCS 3340, 3340 L	01.2013 -	290	394	10677	4266	
AROCS 3342 A	01.2013 -	310	422	12809		4051
AROCS 3342 AK	01.2013 -	310	422	12809		4051
AROCS 3342 AS	01.2013 -	310	422	12809		4051
AROCS 3342 B, 3342 LB	01.2013 -	310	422	12809	4050	4051
AROCS 3342 B, 3342 LB	01.2013 -	310	422	12809	4266	
AROCS 3342 K, 3342 LK	01.2013 -	310	422	12809	4050	4051
AROCS 3342 K, 3342 LK	01.2013 -	310	422	12809	4266	
AROCS 3342 L	05.2013 -	310	421	12809	4050	
AROCS 3342 L	05.2013 -	310	421	12809	4266	
AROCS 3342 LB	05.2013 -	310	421	12809	4050	
AROCS 3342 LB	05.2013 -	310	421	12809	4266	
AROCS 3342 LK	05.2013 -	310	421	12809	4050	
AROCS 3342 LK	05.2013 -	310	421	12809	4266	
AROCS 3342 LS	05.2013 -	310	421	12809	4050	
AROCS 3342 LS	05.2013 -	310	421	12809	4266	
AROCS 3342 S, 3342 LS	01.2013 -	310	422	12809	4050	4051
AROCS 3342 S, 3342 LS	01.2013 -	310	422	12809	4266	
AROCS 3342, 3342 L	01.2013 -	310	422	12809	4050	4051
AROCS 3342, 3342 L	01.2013 -	310	422	12809	4266	
AROCS 3343 A	01.2013 -	315	428	10677		4051
AROCS 3343 AK	01.2013 -	315	428	10677		4051
AROCS 3343 AS	01.2013 -	315	428	10677		4051
AROCS 3343 B, 3343 LB	01.2013 -	315	428	10677	4050	4051
AROCS 3343 B, 3343 LB	01.2013 -	315	428	10677	4266	
AROCS 3343 K, 3343 LK	01.2013 -	315	428	10677	4050	4051
AROCS 3343 K, 3343 LK	01.2013 -	315	428	10677	4266	
AROCS 3343 L	05.2013 -	315	428	10677	4050	
AROCS 3343 L	05.2013 -	315	428	10677	4266	
AROCS 3343 LB	05.2013 -	315	428	10677	4050	
AROCS 3343 LB	05.2013 -	315	428	10677	4266	

**MAKE & MODEL****YEAR****KW****PS****CC****MERCEDES-BENZ**

AROCS 3343 LK	05.2013 -	315	428	10677	4050	
AROCS 3343 LK	05.2013 -	315	428	10677	4266	
AROCS 3343 LS	05.2013 -	315	428	10677	4050	
AROCS 3343 LS	05.2013 -	315	428	10677	4266	
AROCS 3343 S, 3343 LS	01.2013 -	315	428	10677	4050	4051
AROCS 3343 S, 3343 LS	01.2013 -	315	428	10677	4266	
AROCS 3343, 3343 L	01.2013 -	315	428	10677	4050	4051
AROCS 3343, 3343 L	01.2013 -	315	428	10677	4266	
AROCS 3345 A	01.2013 -	330	449	12809		4051
AROCS 3345 AK	01.2013 -	330	449	12809		4051
AROCS 3345 AS	01.2013 -	330	449	12809		4051
AROCS 3345 L	05.2013 -	330	449	12809	4050	
AROCS 3345 L	05.2013 -	330	449	12809	4266	
AROCS 3345 LB	05.2013 -	330	449	12809	4050	
AROCS 3345 LB	05.2013 -	330	449	12809	4266	
AROCS 3345 LK	05.2013 -	330	449	12809	4050	
AROCS 3345 LK	05.2013 -	330	449	12809	4266	
AROCS 3345 LS	05.2013 -	330	449	12809	4050	
AROCS 3345 LS	05.2013 -	330	449	12809	4266	
AROCS 3345, 3345 L	01.2013 -	330	449	12809	4050	4051
AROCS 3345, 3345 L	01.2013 -	330	449	12809	4266	
AROCS 3345B, 3345 LB	01.2013 -	330	449	12809	4050	4051
AROCS 3345B, 3345 LB	01.2013 -	330	449	12809	4266	
AROCS 3345K, 3345 LK	01.2013 -	330	449	12809	4050	4051
AROCS 3345K, 3345 LK	01.2013 -	330	449	12809	4266	
AROCS 3345S, 3345 LS	01.2013 -	330	449	12809	4050	4051
AROCS 3345S, 3345 LS	01.2013 -	330	449	12809	4266	
AROCS 3346	07.2015 -	335	455	10677	4050	
AROCS 3346 B	07.2015 -	335	455	10677	4050	
AROCS 3346 K	07.2015 -	335	455	10677	4050	
AROCS 3346 L	07.2015 -	335	455	10677	4050	
AROCS 3346 LB	07.2015 -	335	455	10677	4050	
AROCS 3346 LK	07.2015 -	335	455	10677	4050	
AROCS 3346 LS	07.2015 -	335	455	10677	4050	
AROCS 3346 S	07.2015 -	335	455	10677	4050	
AROCS 3348 A	01.2013 -	350	476	12809		4051
AROCS 3348 AK	01.2013 -	350	476	12809		4051
AROCS 3348 AS	01.2013 -	350	476	12809		4051
AROCS 3348 B, 3348 LB	01.2013 -	350	476	12809	4050	4051
AROCS 3348 B, 3348 LB	01.2013 -	350	476	12809	4266	
AROCS 3348 K, 3348 LK	01.2013 -	350	476	12809	4050	4051
AROCS 3348 K, 3348 LK	01.2013 -	350	476	12809	4266	
AROCS 3348 L	05.2013 -	350	476	12809	4050	
AROCS 3348 L	05.2013 -	350	476	12809	4266	
AROCS 3348 LB	05.2013 -	350	476	12809	4050	
AROCS 3348 LB	05.2013 -	350	476	12809	4266	
AROCS 3348 LK	05.2013 -	350	476	12809	4050	
AROCS 3348 LK	05.2013 -	350	476	12809	4266	
AROCS 3348 LS	05.2013 -	350	476	12809	4050	
AROCS 3348 LS	05.2013 -	350	476	12809	4266	
AROCS 3348 S, 3348 LS	01.2013 -	350	476	12809	4050	4051
AROCS 3348 S, 3348 LS	01.2013 -	350	476	12809	4266	
AROCS 3348, 3348 L	01.2013 -	350	476	12809	4050	4051
AROCS 3348, 3348 L	01.2013 -	350	476	12809	4266	
AROCS 3351 A	01.2013 -	375	510	12809		4051
AROCS 3351 AK	01.2013 -	375	510	12809		4051
AROCS 3351 AS	01.2013 -	375	510	12809		4051
AROCS 3351 B, 3351 LB	01.2013 -	375	510	12809	4050	4051
AROCS 3351 B, 3351 LB	01.2013 -	375	510	12809	4266	
AROCS 3351 K, 3351 LK	01.2013 -	375	510	12809	4050	4051
AROCS 3351 K, 3351 LK	01.2013 -	375	510	12809	4266	
AROCS 3351 L	05.2013 -	375	510	12809	4050	
AROCS 3351 L	05.2013 -	375	510	12809	4266	
AROCS 3351 LB	05.2013 -	375	510	12809	4050	
AROCS 3351 LB	05.2013 -	375	510	12809	4266	
AROCS 3351 LK	05.2013 -	375	510	12809	4050	
AROCS 3351 LK	05.2013 -	375	510	12809	4266	



## MAKE & MODEL



## YEAR

## KW

## PS

## CC



### MERCEDES-BENZ

AROCS 3351 LS	05.2013 -	375	510	12809	4050	
AROCS 3351 LS	05.2013 -	375	510	12809	4266	
AROCS 3351 S, 3351 LS	01.2013 -	375	510	12809	4050	4051
AROCS 3351 S, 3351 LS	01.2013 -	375	510	12809	4266	
AROCS 3351, 3351 L	01.2013 -	375	510	12809	4050	4051
AROCS 3351, 3351 L	01.2013 -	375	510	12809	4266	
AROCS 3352	05.2013 -	380	517	15569	4050	
AROCS 3352	05.2013 -	380	517	15569	4266	
AROCS 3352 K	05.2013 -	380	517	15569	4050	
AROCS 3352 K	05.2013 -	380	517	15569	4266	
AROCS 3352 L	05.2013 -	380	517	15569	4050	
AROCS 3352 L	05.2013 -	380	517	15569	4266	
AROCS 3352 LK	05.2013 -	380	517	15569	4050	
AROCS 3352 LK	05.2013 -	380	517	15569	4266	
AROCS 3352 LS	05.2013 -	380	517	15569	4050	
AROCS 3352 LS	05.2013 -	380	517	15569	4266	
AROCS 3352 S	05.2013 -	380	517	15569	4050	
AROCS 3352 S	05.2013 -	380	517	15569	4266	
AROCS 3352 SLT	12.2013 -	380	517	15569	4050	
AROCS 3353	07.2015 -	390	530	12809	4050	
AROCS 3353 B	07.2015 -	390	530	12809	4050	
AROCS 3353 K	07.2015 -	390	530	12809	4050	
AROCS 3353 L	07.2015 -	390	530	12809	4050	
AROCS 3353 LB	07.2015 -	390	530	12809	4050	
AROCS 3353 LK	07.2015 -	390	530	12809	4050	
AROCS 3353 LS	07.2015 -	390	530	12809	4050	
AROCS 3353 S	07.2015 -	390	530	12809	4050	
AROCS 3358	05.2013 -	425	578	15569	4050	
AROCS 3358	05.2013 -	425	578	15569	4266	
AROCS 3358 K	05.2013 -	425	578	15569	4050	
AROCS 3358 K	05.2013 -	425	578	15569	4266	
AROCS 3358 L	05.2013 -	425	578	15569	4050	
AROCS 3358 L	05.2013 -	425	578	15569	4266	
AROCS 3358 LK	05.2013 -	425	578	15569	4050	
AROCS 3358 LK	05.2013 -	425	578	15569	4266	
AROCS 3358 LS	05.2013 -	425	578	15569	4050	
AROCS 3358 LS	05.2013 -	425	578	15569	4266	
AROCS 3358 S	05.2013 -	425	578	15569	4050	
AROCS 3358 S	05.2013 -	425	578	15569	4266	
AROCS 3358 SLT	12.2013 -	425	578	15569	4050	
AROCS 3363	05.2013 -	460	625	15569	4050	
AROCS 3363	05.2013 -	460	625	15569	4266	
AROCS 3363 K	05.2013 -	460	625	15569	4050	
AROCS 3363 K	05.2013 -	460	625	15569	4266	
AROCS 3363 L	05.2013 -	460	625	15569	4050	
AROCS 3363 L	05.2013 -	460	625	15569	4266	
AROCS 3363 LK	05.2013 -	460	625	15569	4050	
AROCS 3363 LK	05.2013 -	460	625	15569	4266	
AROCS 3363 LS	05.2013 -	460	625	15569	4050	
AROCS 3363 LS	05.2013 -	460	625	15569	4266	
AROCS 3363 S	05.2013 -	460	625	15569	4050	
AROCS 3363 S	05.2013 -	460	625	15569	4266	
AROCS 3363 SLT	12.2013 -	460	625	15569	4050	
AROCS 4052 SLT	12.2013 -	380	517	15569	4050	
AROCS 4058 SLT	12.2013 -	425	578	15569	4050	
AROCS 4063 SLT	12.2013 -	460	625	15569	4050	
AROCS 4133	01.2013 -	240	326	10677	4050	4051
AROCS 4133	01.2013 -	240	326	10677	4266	
AROCS 4133 AK	01.2013 -	240	326	10677		4051
AROCS 4133 B	01.2013 -	240	326	10677	4050	4051
AROCS 4133 B	01.2013 -	240	326	10677	4266	
AROCS 4133 K	01.2013 -	240	326	10677	4050	4051
AROCS 4133 K	01.2013 -	240	326	10677	4266	
AROCS 4136	01.2013 -	265	360	10677	4050	4051
AROCS 4136	01.2013 -	265	360	10677	4266	
AROCS 4136 AK	01.2013 -	240	326	10677		4051
AROCS 4136 B	01.2013 -	265	360	10677	4050	4051

**MAKE & MODEL****YEAR****KW****PS****CC****MERCEDES-BENZ**

AROCS 4136 B	01.2013 -	265	360	10677	4266	
AROCS 4136 K	01.2013 -	265	360	10677	4050	4051
AROCS 4136 K	01.2013 -	265	360	10677	4266	
AROCS 4140	01.2013 -	290	394	10677	4050	4051
AROCS 4140	01.2013 -	290	394	10677	4266	
AROCS 4140 AK	01.2013 -	290	394	10677		4051
AROCS 4140 B	01.2013 -	290	394	10677	4050	4051
AROCS 4140 B	01.2013 -	290	394	10677	4266	
AROCS 4140 K	01.2013 -	290	394	10677	4050	4051
AROCS 4140 K	01.2013 -	290	394	10677	4266	
AROCS 4142	01.2013 -	310	422	12809	4050	4051
AROCS 4142	01.2013 -	310	422	12809	4266	
AROCS 4142 AK	01.2013 -	310	422	12809		4051
AROCS 4142 B	01.2013 -	310	422	12809	4050	4051
AROCS 4142 B	01.2013 -	310	422	12809	4266	
AROCS 4142 K	01.2013 -	310	422	12809	4050	4051
AROCS 4142 K	01.2013 -	310	422	12809	4266	
AROCS 4143	01.2013 -	315	428	10677	4050	4051
AROCS 4143	01.2013 -	315	428	10677	4266	
AROCS 4143 AK	01.2013 -	315	428	10677		4051
AROCS 4143 B	01.2013 -	315	428	10677	4050	4051
AROCS 4143 B	01.2013 -	315	428	10677	4266	
AROCS 4143 K	01.2013 -	315	428	10677	4050	4051
AROCS 4143 K	01.2013 -	315	428	10677	4266	
AROCS 4145	01.2013 -	330	449	12809	4050	4051
AROCS 4145	01.2013 -	330	449	12809	4266	
AROCS 4145 AK	01.2013 -	330	449	12809		4051
AROCS 4145 B	01.2013 -	330	449	12809	4050	4051
AROCS 4145 B	01.2013 -	330	449	12809	4266	
AROCS 4145 K	01.2013 -	330	449	12809	4050	4051
AROCS 4145 K	01.2013 -	330	449	12809	4266	
AROCS 4146	07.2015 -	335	455	10677	4050	
AROCS 4146 B	07.2015 -	335	455	10677	4050	
AROCS 4146 K	07.2015 -	335	455	10677	4050	
AROCS 4148	01.2013 -	350	476	12809	4050	4051
AROCS 4148	01.2013 -	350	476	12809	4266	
AROCS 4148 AK	01.2013 -	350	476	12809		4051
AROCS 4148 B	01.2013 -	350	476	12809	4050	4051
AROCS 4148 B	01.2013 -	350	476	12809	4266	
AROCS 4148 K	01.2013 -	350	476	12809	4050	4051
AROCS 4148 K	01.2013 -	350	476	12809	4266	
AROCS 4151	01.2013 -	375	510	12809	4050	4051
AROCS 4151	01.2013 -	375	510	12809	4266	
AROCS 4151 AK	01.2013 -	375	510	12809		4051
AROCS 4151 B	01.2013 -	375	510	12809	4050	4051
AROCS 4151 B	01.2013 -	375	510	12809	4266	
AROCS 4151 K	01.2013 -	375	510	12809	4050	4051
AROCS 4151 K	01.2013 -	375	510	12809	4266	
AROCS 4152	05.2013 -	380	517	15569	4050	
AROCS 4152	05.2013 -	380	517	15569	4266	
AROCS 4152 K	05.2013 -	380	517	15569	4050	
AROCS 4152 K	05.2013 -	380	517	15569	4266	
AROCS 4152 SLT	12.2013 -	380	517	15569	4050	
AROCS 4153	07.2015 -	390	530	12809	4050	
AROCS 4153 B	07.2015 -	390	530	12809	4050	
AROCS 4153 K	07.2015 -	390	530	12809	4050	
AROCS 4158	05.2013 -	425	578	15569	4050	
AROCS 4158	05.2013 -	425	578	15569	4266	
AROCS 4158 K	05.2013 -	425	578	15569	4050	
AROCS 4158 K	05.2013 -	425	578	15569	4266	
AROCS 4158 SLT	12.2013 -	425	578	15569	4050	
AROCS 4163	05.2013 -	460	625	15569	4050	
AROCS 4163	05.2013 -	460	625	15569	4266	
AROCS 4163 K	05.2013 -	460	625	15569	4050	
AROCS 4163 K	05.2013 -	460	625	15569	4266	
AROCS 4163 SLT	12.2013 -	460	625	15569	4050	
ATEGO 1014 K	01.1998 - 10.2004	100	136	4249	3789	3789

**MAKE & MODEL****YEAR****KW****PS****CC****MERCEDES-BENZ**

ATEGO 1014 K	01.1998 - 10.2004	100	136	4249	3908	3908
ATEGO 1014 K	01.1998 - 10.2004	100	136	4249	3789/1	3789/1
ATEGO 1014, 1014 L	01.1998 - 10.2004	100	136	4249	3789	3789
ATEGO 1014, 1014 L	01.1998 - 10.2004	100	136	4249	3908	3908
ATEGO 1014, 1014 L	01.1998 - 10.2004	100	136	4249	3789/1	3789/1
ATEGO 1017 A	01.1998 - 10.2004	125	170	4249	3908	3908
ATEGO 1017 AK	01.1998 - 10.2004	125	170	4249	3908	3908
ATEGO 1017 K	01.1998 - 10.2004	125	170	4249	3789	3789
ATEGO 1017 K	01.1998 - 10.2004	125	170	4249	3908	3908
ATEGO 1017 K	01.1998 - 10.2004	125	170	4249	3789/1	3789/1
ATEGO 1017 KO, 1018 KO	01.1998 - 10.2004	125	170	4249	3908	3908
ATEGO 1017, 1017 L	01.1998 - 10.2004	125	170	4249	3908	3908
ATEGO 1023 AK	01.1998 - 10.2004	170	231	6374	3908	3908
ATEGO 1023 K	01.1998 - 10.2004	170	231	6374	3789	3789
ATEGO 1023 K	01.1998 - 10.2004	170	231	6374	3908	3908
ATEGO 1023 K	01.1998 - 10.2004	170	231	6374	3789/1	3789/1
ATEGO 1023, 1023 L	01.1998 - 10.2004	170	231	6374	3908	3908
ATEGO 1214 K	01.1998 - 10.2004	100	136	4249	3789	3789
ATEGO 1214 K	01.1998 - 10.2004	100	136	4249	3789/1	3789/1
ATEGO 1214, 1214 L	01.1998 - 10.2004	100	136	4249	3789	3789
ATEGO 1214, 1214 L	01.1998 - 10.2004	100	136	4249	3789/1	3789/1
ATEGO 1215 K	01.1998 - 10.2004	112	152	4249	3789	3789
ATEGO 1215 K	01.1998 - 10.2004	112	152	4249	3789/1	3789/1
ATEGO 1215, 1215 L	01.1998 - 10.2004	112	152	4249	3789	3789
ATEGO 1215, 1215 L	01.1998 - 10.2004	112	152	4249	3789/1	3789/1
ATEGO 1217 K	01.1998 - 10.2004	125	170	4249	3789	3789
ATEGO 1217 K	01.1998 - 10.2004	125	170	4249	3789/1	3789/1
ATEGO 1217 KO	01.1998 - 10.2004	125	170	4249	3789	3789
ATEGO 1217 KO	01.1998 - 10.2004	125	170	4249	3789/1	3789/1
ATEGO 1217, 1217 L	01.1998 - 10.2004	125	170	4249	3789	3789
ATEGO 1217, 1217 L	01.1998 - 10.2004	125	170	4249	3789/1	3789/1
ATEGO 1223 K	01.1998 - 09.2004	170	231	6374	3789	3789
ATEGO 1223 K	01.1998 - 09.2004	170	231	6374	3789/1	3789/1
ATEGO 1223, 1223 L	01.1998 - 10.2004	170	231	6374	3789	3789
ATEGO 1223, 1223 L	01.1998 - 10.2004	170	231	6374	3789/1	3789/1
ATEGO 1225 F	01.1998 - 10.2004	180	245	6374	3789	3789
ATEGO 1225 F	01.1998 - 10.2004	180	245	6374	3789/1	3789/1
ATEGO 1228, 1228 L	01.1998 - 10.2004	205	279	6374	3789	3789
ATEGO 1228, 1228 L	01.1998 - 10.2004	205	279	6374	3789/1	3789/1
ATEGO 1317 A	01.1998 - 10.2004	125	170	4249	3789	3789
ATEGO 1317 A	01.1998 - 10.2004	125	170	4249	3789/1	3789/1
ATEGO 1317 AK	01.1998 - 10.2004	125	170	4249	3789	3789
ATEGO 1317 AK	01.1998 - 10.2004	125	170	4249	3789/1	3789/1
ATEGO 1317 K	01.1998 - 10.2004	125	170	4249	3789	3789
ATEGO 1317 K	01.1998 - 10.2004	125	170	4249	3789/1	3789/1
ATEGO 1317 KO, 1317 LKO, 1318 KO, 1318 LKO	01.1998 - 10.2004	125	170	4249	3789	3789
ATEGO 1317 KO, 1317 LKO, 1318 KO, 1318 LKO	01.1998 - 10.2004	125	170	4249	3789/1	3789/1
ATEGO 1317, 1317 L	01.1998 - 10.2004	125	170	4249	3789	3789
ATEGO 1317, 1317 L	01.1998 - 10.2004	125	170	4249	3789/1	3789/1
ATEGO 1323 AK	01.1998 - 09.2004	170	231	6374	3789	3789
ATEGO 1323 AK	01.1998 - 09.2004	170	231	6374	3789/1	3789/1
ATEGO 1323 K	01.1998 - 09.2004	170	231	6374	3789	3789
ATEGO 1323 K	01.1998 - 09.2004	170	231	6374	3789/1	3789/1
ATEGO 1323 KO, 1323 LKO	01.1998 - 10.2004	170	231	6374	3789	3789
ATEGO 1323 KO, 1323 LKO	01.1998 - 10.2004	170	231	6374	3789/1	3789/1
ATEGO 1323 LS	01.1998 - 10.2004	170	231	6374	3789	3789
ATEGO 1323 LS	01.1998 - 10.2004	170	231	6374	3789/1	3789/1
ATEGO 1323, 1323 L	01.1998 - 10.2004	170	231	6374	3789	3789
ATEGO 1323, 1323 L	01.1998 - 10.2004	170	231	6374	3789/1	3789/1
ATEGO 1325 F	01.1998 - 10.2004	180	245	6374	3789	3789
ATEGO 1325 F	01.1998 - 10.2004	180	245	6374	3789/1	3789/1
ATEGO 1328 F	01.1998 - 10.2004	205	279	6374	3789	3789
ATEGO 1328 F	01.1998 - 10.2004	205	279	6374	3789/1	3789/1
ATEGO 1328 LS	01.1998 - 10.2004	205	279	6374	3789	3789
ATEGO 1328 LS	01.1998 - 10.2004	205	279	6374	3789/1	3789/1
ATEGO 1328, 1328 L	01.1998 - 10.2004	205	279	6374	3789	3789
ATEGO 1328, 1328 L	01.1998 - 10.2004	205	279	6374	3789/1	3789/1



**MAKE & MODEL****YEAR****KW****PS****CC****MERCEDES-BENZ**

ATEGO 1517 A	01.1998 - 10.2004	125	170	4249	3789	3789
ATEGO 1517 A	01.1998 - 10.2004	125	170	4249	3789/1	3789/1
ATEGO 1517 AK	01.1998 - 10.2004	125	170	4249	3789	3789
ATEGO 1517 AK	01.1998 - 10.2004	125	170	4249	3789/1	3789/1
ATEGO 1517 K	01.1998 - 10.2004	125	170	4249	3789	3789
ATEGO 1517 K	01.1998 - 10.2004	125	170	4249	3789/1	3789/1
ATEGO 1517, 1517 L	01.1998 - 10.2004	125	170	4249	3789	3789
ATEGO 1517, 1517 L	01.1998 - 10.2004	125	170	4249	3789/1	3789/1
ATEGO 1523 A	01.1998 - 10.2004	170	231	6374	3789	3789
ATEGO 1523 A	01.1998 - 10.2004	170	231	6374	3789/1	3789/1
ATEGO 1523 AK	01.1998 - 10.2004	170	231	6374	3789	3789
ATEGO 1523 AK	01.1998 - 10.2004	170	231	6374	3789/1	3789/1
ATEGO 1523 K	01.1998 - 10.2004	170	231	6374	3789	3789
ATEGO 1523 K	01.1998 - 10.2004	170	231	6374	3789/1	3789/1
ATEGO 1523 KO	01.1998 - 10.2004	170	231	6374	3789	3789
ATEGO 1523 KO	01.1998 - 10.2004	170	231	6374	3789/1	3789/1
ATEGO 1523, 1523 L	01.1998 - 10.2004	170	231	6374	3789	3789
ATEGO 1523, 1523 L	01.1998 - 10.2004	170	231	6374	3789/1	3789/1
ATEGO 1525 AF	01.1998 - 10.2004	180	245	6374	3789	3789
ATEGO 1525 AF	01.1998 - 10.2004	180	245	6374	3789/1	3789/1
ATEGO 1528 AK	01.1998 - 09.2004	205	279	6374	3789	3789
ATEGO 1528 AK	01.1998 - 09.2004	205	279	6374	3789/1	3789/1
ATEGO 1528 F	01.1998 - 10.2004	205	279	6374	3789	3789
ATEGO 1528 F	01.1998 - 10.2004	205	279	6374	3789/1	3789/1
ATEGO 1528 K	01.1998 - 09.2004	205	279	6374	3789	3789
ATEGO 1528 K	01.1998 - 09.2004	205	279	6374	3789/1	3789/1
ATEGO 1528, 1528 L	01.1998 - 10.2004	205	279	6374	3789	3789
ATEGO 1528, 1528 L	01.1998 - 10.2004	205	279	6374	3789/1	3789/1
ATEGO 1823 AK	04.1998 - 10.2004	170	231	6374	4091	4091
ATEGO 1823 K	04.1998 - 10.2004	170	231	6374	4091	
ATEGO 1823 K	04.1998 - 10.2004	170	231	6374	3664	3664
ATEGO 1823 LS	04.1998 - 10.2004	170	231	6374	4091	
ATEGO 1823 LS	04.1998 - 10.2004	170	231	6374	3664	3664
ATEGO 1823, 1823 L	01.1998 - 10.2004	170	231	6374	4091	
ATEGO 1823, 1823 L	01.1998 - 10.2004	170	231	6374	3664	3664
ATEGO 1828 A	04.1998 - 10.2004	205	279	6374	4091	4091
ATEGO 1828 AK	04.1998 - 10.2004	205	279	6374	4091	4091
ATEGO 1828 K	04.1998 - 10.2004	205	279	6374	4091	
ATEGO 1828 K	04.1998 - 10.2004	205	279	6374	3664	3664
ATEGO 1828 LS	04.1998 - 10.2004	205	279	6374	4091	
ATEGO 1828 LS	04.1998 - 10.2004	205	279	6374	3664	3664
ATEGO 1828, 1828 L	04.1998 - 10.2004	205	279	6374	4091	
ATEGO 1828, 1828 L	04.1998 - 10.2004	205	279	6374	3664	3664
ATEGO 1923 L	04.1998 - 10.2004	170	231	6374	3789	3789
ATEGO 1923 L	04.1998 - 10.2004	170	231	6374	3789/1	3789/1
ATEGO 1928 L	04.1998 - 10.2004	205	279	6374	3789	3789
ATEGO 1928 L	04.1998 - 10.2004	205	279	6374	3789/1	3789/1
ATEGO 2 1015 K	10.2004 -	100	136	4249	3789	3789
ATEGO 2 1015 K	10.2004 -	100	136	4249	3908	3908
ATEGO 2 1015 K	10.2004 -	100	136	4249	3789/1	3789/1
ATEGO 2 1015 K, 1016 K	10.2004 -	112	152	4249	3789	3789
ATEGO 2 1015 K, 1016 K	10.2004 -	112	152	4249	3908	3908
ATEGO 2 1015 K, 1016 K	10.2004 -	112	152	4249	3789/1	3789/1
ATEGO 2 1015, 1015 L	10.2004 -	112	152	4249	3789	3789
ATEGO 2 1015, 1015 L	10.2004 -	112	152	4249	3908	3908
ATEGO 2 1015, 1015 L	10.2004 -	112	152	4249	3789/1	3789/1
ATEGO 2 1016, 1016 L	10.2004 -	115	156	4249	3789	3789
ATEGO 2 1016, 1016 L	10.2004 -	115	156	4249	3908	3908
ATEGO 2 1016, 1016 L	10.2004 -	115	156	4249	3789/1	3789/1
ATEGO 2 1016, 1016 L	10.2004 -	115	156	4801	3789	3789
ATEGO 2 1016, 1016 L	10.2004 -	115	156	4801	3908	3908
ATEGO 2 1016, 1016 L	10.2004 -	115	156	4801	3789/1	3789/1
ATEGO 2 1017 AK	10.2004 -	125	170	4249	3908	3908
ATEGO 2 1017 K, 1018 K	10.2004 -	125	170	4249	3789	3789
ATEGO 2 1017 K, 1018 K	10.2004 -	125	170	4249	3908	3908
ATEGO 2 1017 K, 1018 K	10.2004 -	125	170	4249	3789/1	3789/1
ATEGO 2 1018 A	10.2004 -	130	177	4249	3908	3908



**MAKE & MODEL****YEAR****KW****PS****CC****MERCEDES-BENZ**

ATEGO 2 1018 AK	10.2004 -	130	177	4249	3908	3908
ATEGO 2 1018, 1018 L	10.2004 -	130	177	4249	3789	3789
ATEGO 2 1018, 1018 L	10.2004 -	130	177	4249	3908	3908
ATEGO 2 1018, 1018 L	10.2004 -	130	177	4249	3789/1	3789/1
ATEGO 2 1022 A	10.2004 -	160	218	4801	3908	3908
ATEGO 2 1022 AK	10.2004 -	160	218	4801	3908	3908
ATEGO 2 1022 K	10.2004 -	160	218	4801	3789	3789
ATEGO 2 1022 K	10.2004 -	160	218	4801	3908	3908
ATEGO 2 1022 K	10.2004 -	160	218	4801	3789/1	3789/1
ATEGO 2 1022 KO	10.2004 -	160	218	4801	3789	3789
ATEGO 2 1022 KO	10.2004 -	160	218	4801	3908	3908
ATEGO 2 1022 KO	10.2004 -	160	218	4801	3789/1	3789/1
ATEGO 2 1022, 1022 L	10.2004 -	160	218	4801	3789	3789
ATEGO 2 1022, 1022 L	10.2004 -	160	218	4801	3908	3908
ATEGO 2 1022, 1022 L	10.2004 -	160	218	4801	3789/1	3789/1
ATEGO 2 1023 A, 1024 A	10.2004 -	170	231	6374	3908	3908
ATEGO 2 1023, 1023 L, 1024, 1024 L	10.2004 -	170	231	6374	3789	3789
ATEGO 2 1023, 1023 L, 1024, 1024 L	10.2004 -	170	231	6374	3908	3908
ATEGO 2 1023, 1023 L, 1024, 1024 L	10.2004 -	170	231	6374	3789/1	3789/1
ATEGO 2 1024 AK	10.2004 -	175	238	6374	3908	3908
ATEGO 2 1024 K	10.2004 -	175	238	6374	3789	3789
ATEGO 2 1024 K	10.2004 -	175	238	6374	3908	3908
ATEGO 2 1024 K	10.2004 -	175	238	6374	3789/1	3789/1
ATEGO 2 1024, 1024 L	10.2004 -	175	238	7201	3789	3789
ATEGO 2 1024, 1024 L	10.2004 -	175	238	7201	3908	3908
ATEGO 2 1024, 1024 L	10.2004 -	175	238	7201	3789/1	3789/1
ATEGO 2 1026, 1026 L	10.2004 -	188	256	7201	3789	3789
ATEGO 2 1026, 1026 L	10.2004 -	188	256	7201	3908	3908
ATEGO 2 1026, 1026 L	10.2004 -	188	256	7201	3789/1	3789/1
ATEGO 2 1029, 1029 L	10.2004 -	210	286	7201	3789	3789
ATEGO 2 1029, 1029 L	10.2004 -	210	286	7201	3908	3908
ATEGO 2 1029, 1029 L	10.2004 -	210	286	7201	3789/1	3789/1
ATEGO 2 1215, 1215 L, 1216, 1216 L	10.2004 -	112	152	4249	3789	3789
ATEGO 2 1215, 1215 L, 1216, 1216 L	10.2004 -	112	152	4249	3908	3908
ATEGO 2 1215, 1215 L, 1216, 1216 L	10.2004 -	112	152	4249	3789/1	3789/1
ATEGO 2 1216 K	10.2004 -	115	156	4249	3789	3789
ATEGO 2 1216 K	10.2004 -	115	156	4249	3789/1	3789/1
ATEGO 2 1216, 1216 L	10.2004 -	115	156	4801	3789	3789
ATEGO 2 1216, 1216 L	10.2004 -	115	156	4801	3908	3908
ATEGO 2 1216, 1216 L	10.2004 -	115	156	4801	3789/1	3789/1
ATEGO 2 1218 K	10.2004 -	130	177	4249	3789	3789
ATEGO 2 1218 K	10.2004 -	130	177	4249	3789/1	3789/1
ATEGO 2 1218, 1218 L	10.2004 -	130	177	4249	3789	3789
ATEGO 2 1218, 1218 L	10.2004 -	130	177	4249	3908	3908
ATEGO 2 1218, 1218 L	10.2004 -	130	177	4249	3789/1	3789/1
ATEGO 2 1222 F	10.2004 -	160	218	4801	3789	3789
ATEGO 2 1222 F	10.2004 -	160	218	4801	3789/1	3789/1
ATEGO 2 1222 K	10.2004 -	160	218	4801	3789	3789
ATEGO 2 1222 K	10.2004 -	160	218	4801	3789/1	3789/1
ATEGO 2 1222, 1222 L	10.2004 -	160	218	4801	3789	3789
ATEGO 2 1222, 1222 L	10.2004 -	160	218	4801	3908	3908
ATEGO 2 1222, 1222 L	10.2004 -	160	218	4801	3789/1	3789/1
ATEGO 2 1223, 1223 L, 1224, 1224 L	10.2004 -	170	231	6374	3789	3789
ATEGO 2 1223, 1223 L, 1224, 1224 L	10.2004 -	170	231	6374	3908	3908
ATEGO 2 1223, 1223 L, 1224, 1224 L	10.2004 -	170	231	6374	3789/1	3789/1
ATEGO 2 1224 K	10.2004 -	175	238	6374	3789	3789
ATEGO 2 1224 K	10.2004 -	175	238	6374	3789/1	3789/1
ATEGO 2 1224, 1224 L	10.2004 -	175	238	7201	3789	3789
ATEGO 2 1224, 1224 L	10.2004 -	175	238	7201	3908	3908
ATEGO 2 1224, 1224 L	10.2004 -	175	238	7201	3789/1	3789/1
ATEGO 2 1226 F	10.2004 -	188	256	6374	3789	3789
ATEGO 2 1226 F	10.2004 -	188	256	6374	3789/1	3789/1
ATEGO 2 1226, 1226 L	10.2004 -	188	256	6374	3789	3789
ATEGO 2 1226, 1226 L	10.2004 -	188	256	6374	3789/1	3789/1
ATEGO 2 1226, 1226 L	10.2004 - 12.2014	188	256	7201	3789	3789
ATEGO 2 1226, 1226 L	10.2004 - 12.2014	188	256	7201	3908	3908
ATEGO 2 1226, 1226 L	10.2004 - 12.2014	188	256	7201	3789/1	3789/1

**MAKE & MODEL****YEAR****KW****PS****CC****MERCEDES-BENZ**

ATEGO 2 1228, 1228 L, 1229, 1229 L	10.2004 -	205	279	6374	3789	3789
ATEGO 2 1228, 1228 L, 1229, 1229 L	10.2004 -	205	279	6374	3789/1	3789/1
ATEGO 2 1229, 1229 L	10.2004 -	210	286	7201	3789	3789
ATEGO 2 1229, 1229 L	10.2004 -	210	286	7201	3908	3908
ATEGO 2 1229, 1229 L	10.2004 -	210	286	7201	3789/1	3789/1
ATEGO 2 1315	10.2004 -	110	150	4249	3789	3789
ATEGO 2 1315	10.2004 -	110	150	4249	3789/1	3789/1
ATEGO 2 1318 A	10.2004 -	130	177	4249	3789	3789
ATEGO 2 1318 A	10.2004 -	130	177	4249	3789/1	3789/1
ATEGO 2 1318 AK	10.2004 -	130	177	4249	3789	3789
ATEGO 2 1318 AK	10.2004 -	130	177	4249	3789/1	3789/1
ATEGO 2 1318 K	10.2004 -	130	177	4249	3789	3789
ATEGO 2 1318 K	10.2004 -	130	177	4249	3789/1	3789/1
ATEGO 2 1318, 1318 L	10.2004 -	130	177	4249	3789	3789
ATEGO 2 1318, 1318 L	10.2004 -	130	177	4249	3789/1	3789/1
ATEGO 2 1322 A	10.2004 -	160	218	4801	3789	3789
ATEGO 2 1322 A	10.2004 -	160	218	4801	3789/1	3789/1
ATEGO 2 1322 AK	10.2004 -	160	218	4801	3789	3789
ATEGO 2 1322 AK	10.2004 -	160	218	4801	3789/1	3789/1
ATEGO 2 1322 F	10.2004 -	160	218	4801	3789	3789
ATEGO 2 1322 F	10.2004 -	160	218	4801	3789/1	3789/1
ATEGO 2 1322 K	10.2004 -	160	218	4801	3789	3789
ATEGO 2 1322 K	10.2004 -	160	218	4801	3789/1	3789/1
ATEGO 2 1322 LKO	10.2004 -	160	218	4801	3789	3789
ATEGO 2 1322 LKO	10.2004 -	160	218	4801	3789/1	3789/1
ATEGO 2 1322 LS	10.2004 -	160	218	4801	3789	3789
ATEGO 2 1322 LS	10.2004 -	160	218	4801	3789/1	3789/1
ATEGO 2 1322, 1322 L	10.2004 -	160	218	4801	3789	3789
ATEGO 2 1322, 1322 L	10.2004 -	160	218	4801	3789/1	3789/1
ATEGO 2 1323 A, 1324 A	10.2004 -	170	231	6374	3789	3789
ATEGO 2 1323 A, 1324 A	10.2004 -	170	231	6374	3789/1	3789/1
ATEGO 2 1323 LS, 1324 LS	10.2004 -	170	231	6374	3789	3789
ATEGO 2 1323 LS, 1324 LS	10.2004 -	170	231	6374	3789/1	3789/1
ATEGO 2 1323, 1323 L, 1324, 1324 L	10.2004 -	170	231	6374	3789	3789
ATEGO 2 1323, 1323 L, 1324, 1324 L	10.2004 -	170	231	6374	3789/1	3789/1
ATEGO 2 1324 AK	10.2004 -	175	238	6374	3789	3789
ATEGO 2 1324 AK	10.2004 -	175	238	6374	3789/1	3789/1
ATEGO 2 1324 K	10.2004 -	170	231	6374	3789	3789
ATEGO 2 1324 K	10.2004 -	170	231	6374	3789/1	3789/1
ATEGO 2 1324 LKO	10.2004 -	175	238	6374	3789	3789
ATEGO 2 1324 LKO	10.2004 -	175	238	6374	3789/1	3789/1
ATEGO 2 1324, 1324 L	10.2004 -	175	238	7201	3789	3789
ATEGO 2 1324, 1324 L	10.2004 -	175	238	7201	3789/1	3789/1
ATEGO 2 1326 F	10.2004 -	188	256	6374	3789	3789
ATEGO 2 1326 F	10.2004 -	188	256	6374	3789/1	3789/1
ATEGO 2 1326 LS	10.2004 -	188	256	6374	3789	3789
ATEGO 2 1326 LS	10.2004 -	188	256	6374	3789/1	3789/1
ATEGO 2 1326, 1326 L	10.2004 -	188	256	6374	3789	3789
ATEGO 2 1326, 1326 L	10.2004 -	188	256	6374	3789/1	3789/1
ATEGO 2 1326, 1326 L	10.2004 -	188	256	7201	3789	3789
ATEGO 2 1326, 1326 L	10.2004 -	188	256	7201	3789/1	3789/1
ATEGO 2 1328 LS, 1329 LS	10.2004 -	205	279	6374	3789	3789
ATEGO 2 1328 LS, 1329 LS	10.2004 -	205	279	6374	3789/1	3789/1
ATEGO 2 1328, 1328 L, 1329, 1329 L	10.2004 -	205	279	6374	3789	3789
ATEGO 2 1328, 1328 L, 1329, 1329 L	10.2004 -	205	279	6374	3789/1	3789/1
ATEGO 2 1329 F	10.2004 -	210	286	6374	3789	3789
ATEGO 2 1329 F	10.2004 -	210	286	6374	3789/1	3789/1
ATEGO 2 1329, 1329 L	10.2004 -	210	286	7201	3789	3789
ATEGO 2 1329, 1329 L	10.2004 -	210	286	7201	3789/1	3789/1
ATEGO 2 1418	10.2004 -	130	177	4249	3789	3789
ATEGO 2 1418	10.2004 -	130	177	4249	3789/1	3789/1
ATEGO 2 1418 K	01.2011 -	130	177	4249	3789	3789
ATEGO 2 1418 K	01.2011 -	130	177	4249	3789/1	3789/1
ATEGO 2 1419	10.2004 -	136	185	4801	3789	3789
ATEGO 2 1419	10.2004 -	136	185	4801	3789/1	3789/1
ATEGO 2 1518 A	10.2004 -	130	177	4249	3789	3789
ATEGO 2 1518 A	10.2004 -	130	177	4249	3789/1	3789/1

**MAKE & MODEL****YEAR****KW****PS****CC****MERCEDES-BENZ**

ATEGO 2 1518 AK	10.2004 -	130	177	4249	3789	3789
ATEGO 2 1518 AK	10.2004 -	130	177	4249	3789/1	3789/1
ATEGO 2 1518 K	10.2004 -	130	177	4249	3789	3789
ATEGO 2 1518 K	10.2004 -	130	177	4249	3789/1	3789/1
ATEGO 2 1518, 1518 L	10.2004 -	130	177	4249	3789	3789
ATEGO 2 1518, 1518 L	10.2004 -	130	177	4249	3789/1	3789/1
ATEGO 2 1522 A	10.2004 -	160	218	4801	3789	3789
ATEGO 2 1522 A	10.2004 -	160	218	4801	3789/1	3789/1
ATEGO 2 1522 AK	10.2004 -	160	218	4801	3789	3789
ATEGO 2 1522 AK	10.2004 -	160	218	4801	3789/1	3789/1
ATEGO 2 1522 F	10.2004 -	160	218	4801	3789	3789
ATEGO 2 1522 F	10.2004 -	160	218	4801	3789/1	3789/1
ATEGO 2 1522 K	10.2004 -	160	218	4801	3789	3789
ATEGO 2 1522 K	10.2004 -	160	218	4801	3789/1	3789/1
ATEGO 2 1522, 1522 L	10.2004 -	160	218	4801	3789	3789
ATEGO 2 1522, 1522 L	10.2004 -	160	218	4801	3789/1	3789/1
ATEGO 2 1523 A, 1524 A	10.2004 -	170	231	6374	3789	3789
ATEGO 2 1523 A, 1524 A	10.2004 -	170	231	6374	3789/1	3789/1
ATEGO 2 1523 K, 1524 K	10.2004 -	175	238	6374	3789	3789
ATEGO 2 1523 K, 1524 K	10.2004 -	175	238	6374	3789/1	3789/1
ATEGO 2 1523, 1523 L, 1524, 1524 L	10.2004 -	170	231	6374	3789	3789
ATEGO 2 1523, 1523 L, 1524, 1524 L	10.2004 -	170	231	6374	3789/1	3789/1
ATEGO 2 1524 AK	10.2004 -	175	238	6374	3789	3789
ATEGO 2 1524 AK	10.2004 -	175	238	6374	3789/1	3789/1
ATEGO 2 1524, 1524 L	10.2004 -	175	238	7201	3789	3789
ATEGO 2 1524, 1524 L	10.2004 -	175	238	7201	3789/1	3789/1
ATEGO 2 1526 AK	10.2004 -	188	256	6374	3789	3789
ATEGO 2 1526 AK	10.2004 -	188	256	6374	3789/1	3789/1
ATEGO 2 1526 K	10.2004 -	188	256	6374	3789	3789
ATEGO 2 1526 K	10.2004 -	188	256	6374	3789/1	3789/1
ATEGO 2 1526, 1526 L	10.2004 -	188	256	6374	3789	3789
ATEGO 2 1526, 1526 L	10.2004 -	188	256	6374	3789/1	3789/1
ATEGO 2 1526, 1526 L	10.2004 -	188	256	7201	3789	3789
ATEGO 2 1526, 1526 L	10.2004 -	188	256	7201	3789/1	3789/1
ATEGO 2 1528, 1528 L, 1529, 1529 L	10.2004 -	205	279	6374	3789	3789
ATEGO 2 1528, 1528 L, 1529, 1529 L	10.2004 -	205	279	6374	3789/1	3789/1
ATEGO 2 1529 AK	10.2004 -	210	286	6374	3789	3789
ATEGO 2 1529 AK	10.2004 -	210	286	6374	3789/1	3789/1
ATEGO 2 1529 F	10.2004 -	210	286	6374	3789	3789
ATEGO 2 1529 F	10.2004 -	210	286	6374	3789/1	3789/1
ATEGO 2 1529 K	10.2004 -	210	286	6374	3789	3789
ATEGO 2 1529 K	10.2004 -	210	286	6374	3789/1	3789/1
ATEGO 2 1529, 1529 L	10.2004 -	210	286	7201	3789	3789
ATEGO 2 1529, 1529 L	10.2004 -	210	286	7201	3789/1	3789/1
ATEGO 2 1618	10.2004 -	130	177	4249	3789	3789
ATEGO 2 1618	10.2004 -	130	177	4249	3789/1	3789/1
ATEGO 2 1618 K	10.2004 -	130	177	4249	3789	3789
ATEGO 2 1618 K	10.2004 -	130	177	4249	3789/1	3789/1
ATEGO 2 1622	10.2004 -	160	218	4801	3789	3789
ATEGO 2 1622	10.2004 -	160	218	4801	3789/1	3789/1
ATEGO 2 1622 K	10.2004 -	160	218	4801	3789	3789
ATEGO 2 1622 K	10.2004 -	160	218	4801	3789/1	3789/1
ATEGO 2 1624	10.2004 -	175	238	6374	3789	3789
ATEGO 2 1624	10.2004 -	175	238	6374	3789/1	3789/1
ATEGO 2 1624 K	10.2004 -	175	238	6374	3789	3789
ATEGO 2 1624 K	10.2004 -	175	238	6374	3789/1	3789/1
ATEGO 2 1629	10.2004 -	210	286	6374	3789	3789
ATEGO 2 1629	10.2004 -	210	286	6374	3789/1	3789/1
ATEGO 2 1924 L	10.2004 -	175	238	6374	3789	3789
ATEGO 2 1924 L	10.2004 -	175	238	6374	3789/1	3789/1
ATEGO 2 1926 L	10.2004 -	188	256	6374	3789	3789
ATEGO 2 1926 L	10.2004 -	188	256	6374	3789/1	3789/1
ATEGO 2 1929 L	10.2004 -	210	286	6374	3789	3789
ATEGO 2 1929 L	10.2004 -	210	286	6374	3789/1	3789/1
ATEGO 2 2224 L	10.2004 -	175	238	6374	3789	3789
ATEGO 2 2224 L	10.2004 -	175	238	6374	3789/1	3789/1
ATEGO 2 2226 L	10.2004 -	188	256	6374	4091	

**MAKE & MODEL****YEAR****KW****PS****CC****MERCEDES-BENZ**

ATEGO 2 2226 L	10.2004 -	188	256	6374	3789	3789
ATEGO 2 2226 L	10.2004 -	188	256	6374	3789/1	3789/1
ATEGO 2 2229 L	10.2004 -	210	286	6374	3908	3908
ATEGO 2 2422	10.2004 -	160	218	4801	4091	4091
ATEGO 2 2425	10.2004 -	180	245	6374	4091	4091
ATEGO 2 2428	10.2004 -	205	279	6374	4091	4091
ATEGO 2 2428	10.2004 -	205	279	7201	4091	4091
ATEGO 2 2529 L	10.2004 -	210	286	6374	3908	3908
ATEGO 2 2529 L	10.2004 -	210	286	6374	3664	3664
ATEGO 2 712, 713	10.2004 -	90	122	4249	3908	3908
ATEGO 2 715, 715 L, 716, 716 L	10.2004 -	112	152	4249	3908	3908
ATEGO 2 812 K	10.2004 -	90	122	4249	3908	3908
ATEGO 2 812, 813	10.2004 -	90	122	4249	3908	3908
ATEGO 2 815 F	10.2004 -	100	136	4249	3908	3908
ATEGO 2 815 K, 816 K	10.2004 -	112	152	4249	3908	3908
ATEGO 2 815, 815 L, 816, 816 L	10.2004 -	112	152	4249	3908	3908
ATEGO 2 816, 816 L	10.2004 -	115	156	4249	3908	3908
ATEGO 2 816, 816 L	10.2004 -	115	156	4801	3908	3908
ATEGO 2 818 K	10.2004 -	130	177	4249	3908	3908
ATEGO 2 818, 818 L	10.2004 -	130	177	4249	3908	3908
ATEGO 2 822 F	10.2004 -	160	218	4801	3908	3908
ATEGO 2 822 K	10.2004 -	160	218	4801	3908	3908
ATEGO 2 822, 822 L	10.2004 -	160	218	4801	3908	3908
ATEGO 2 823, 823 L, 824, 824 L	10.2004 -	170	231	6374	3908	3908
ATEGO 2 824 K	10.2004 -	175	238	6374	3908	3908
ATEGO 2 824, 824 L	10.2004 -	175	238	7201	3789	3789
ATEGO 2 824, 824 L	10.2004 -	175	238	7201	3789/1	3789/1
ATEGO 2 826, 826 L	10.2004 -	188	256	7201	3789	3789
ATEGO 2 826, 826 L	10.2004 -	188	256	7201	3789/1	3789/1
ATEGO 2 829, 829 L	10.2004 -	210	286	7201	3789	3789
ATEGO 2 829, 829 L	10.2004 -	210	286	7201	3789/1	3789/1
ATEGO 2 915 K	10.2004 -	112	152	4249	3789	3789
ATEGO 2 915 K	10.2004 -	112	152	4249	3908	3908
ATEGO 2 915 K	10.2004 -	112	152	4249	3789/1	3789/1
ATEGO 2 915, 915 L, 916, 916 L	10.2004 -	112	152	4249	3789	3789
ATEGO 2 915, 915 L, 916, 916 L	10.2004 -	112	152	4249	3908	3908
ATEGO 2 915, 915 L, 916, 916 L	10.2004 -	112	152	4249	3789/1	3789/1
ATEGO 2 916 K	10.2004 -	115	156	4249	3789	3789
ATEGO 2 916 K	10.2004 -	115	156	4249	3908	3908
ATEGO 2 916 K	10.2004 -	115	156	4249	3789/1	3789/1
ATEGO 2 916, 916 L	10.2004 -	115	156	4801	3789	3789
ATEGO 2 916, 916 L	10.2004 -	115	156	4801	3908	3908
ATEGO 2 916, 916 L	10.2004 -	115	156	4801	3789/1	3789/1
ATEGO 2 918 K	10.2004 -	130	177	4249	3789	3789
ATEGO 2 918 K	10.2004 -	130	177	4249	3908	3908
ATEGO 2 918 K	10.2004 -	130	177	4249	3789/1	3789/1
ATEGO 2 918, 918 L	10.2004 -	130	177	4249	3789	3789
ATEGO 2 918, 918 L	10.2004 -	130	177	4249	3908	3908
ATEGO 2 918, 918 L	10.2004 -	130	177	4249	3789/1	3789/1
ATEGO 2 922 K	10.2004 -	160	218	4801	3789	3789
ATEGO 2 922 K	10.2004 -	160	218	4801	3908	3908
ATEGO 2 922 K	10.2004 -	160	218	4801	3789/1	3789/1
ATEGO 2 922, 922 L	10.2004 -	160	218	4801	3789	3789
ATEGO 2 922, 922 L	10.2004 -	160	218	4801	3908	3908
ATEGO 2 922, 922 L	10.2004 -	160	218	4801	3789/1	3789/1
ATEGO 2 923, 923 L, 924, 924 L	10.2004 -	170	231	6374	3789	3789
ATEGO 2 923, 923 L, 924, 924 L	10.2004 -	170	231	6374	3908	3908
ATEGO 2 923, 923 L, 924, 924 L	10.2004 -	170	231	6374	3789/1	3789/1
ATEGO 2 924 K	10.2004 -	175	238	6374	3789	3789
ATEGO 2 924 K	10.2004 -	175	238	6374	3908	3908
ATEGO 2 924 K	10.2004 -	175	238	6374	3789/1	3789/1
ATEGO 2 924, 924 L	10.2004 -	175	238	7201	3908	3908
ATEGO 2 926, 926 L	10.2004 -	188	256	7201	3908	3908
ATEGO 2 929, 929 L	10.2004 -	210	286	7201	3908	3908
ATEGO 2223 L	04.1998 - 10.2004	170	231	6374	3789	3789
ATEGO 2223 L	04.1998 - 10.2004	170	231	6374	3789/1	3789/1
ATEGO 2228 L	04.1998 - 10.2004	205	279	6374	3789	3789

**MAKE & MODEL****YEAR****KW****PS****CC****MERCEDES-BENZ**

ATEGO 2228 L	04.1998 - 10.2004	205	279	6374	3789/1	3789/1
ATEGO 2523 L	04.1998 - 10.2004	170	231	6374	4091	
ATEGO 2523 L	04.1998 - 10.2004	170	231	6374	3664	3664
ATEGO 2528 L	04.1998 - 10.2004	205	279	6374	4091	
ATEGO 2528 L	04.1998 - 10.2004	205	279	6374	3664	3664
ATEGO 2628	04.1998 - 10.2004	205	279	6374	4091	
ATEGO 2628	04.1998 - 10.2004	205	279	6374	3664	3664
ATEGO 2628 B	04.1998 - 10.2004	205	279	6374	4091	
ATEGO 2628 B	04.1998 - 10.2004	205	279	6374	3664	3664
ATEGO 2628 K	04.1998 - 10.2004	205	279	6374	4091	
ATEGO 2628 K	04.1998 - 10.2004	205	279	6374	3664	3664
ATEGO 3 1016 K	04.2013 -	115	156	5132	3908	3908
ATEGO 3 1016, 1016 L	04.2013 -	115	156	5132	3908	3908
ATEGO 3 1018 K	04.2013 -	130	177	5132	3908	3908
ATEGO 3 1018 KO	04.2013 -	130	177	5132	3908	3908
ATEGO 3 1018, 1018 L	04.2013 -	130	177	5132	3908	3908
ATEGO 3 1021 K	04.2013 -	155	211	5132	3908	3908
ATEGO 3 1021 KO	04.2013 -	155	211	5132	3908	3908
ATEGO 3 1021, 1021 L	04.2013 -	155	211	5132	3908	3908
ATEGO 3 1023 K	04.2013 -	170	231	5132	3908	3908
ATEGO 3 1023 KO	04.2013 -	170	231	5132	3908	3908
ATEGO 3 1023, 1023 L	04.2013 -	170	231	5132	3789	3789
ATEGO 3 1023, 1023 L	04.2013 -	170	231	5132	3789/1	3789/1
ATEGO 3 1024 K	04.2013 -	175	238	7698	3908	3908
ATEGO 3 1024, 1024 L	04.2013 -	175	238	7698	3789	3789
ATEGO 3 1024, 1024 L	04.2013 -	175	238	7698	3789/1	3789/1
ATEGO 3 1216 K	04.2013 -	115	156	5132	3789	3789
ATEGO 3 1216 K	04.2013 -	115	156	5132	3789/1	3789/1
ATEGO 3 1216, 1216 L	04.2013 -	115	156	5132	3789	3789
ATEGO 3 1216, 1216 L	04.2013 -	115	156	5132	3908	3908
ATEGO 3 1216, 1216 L	04.2013 -	115	156	5132	3789/1	3789/1
ATEGO 3 1218 K	04.2013 -	130	177	5132	3789	3789
ATEGO 3 1218 K	04.2013 -	130	177	5132	3789/1	3789/1
ATEGO 3 1218, 1218 L	04.2013 -	130	177	5132	3789	3789
ATEGO 3 1218, 1218 L	04.2013 -	130	177	5132	3908	3908
ATEGO 3 1218, 1218 L	04.2013 -	130	177	5132	3789/1	3789/1
ATEGO 3 1221 K	04.2013 -	155	211	5132	3789	3789
ATEGO 3 1221 K	04.2013 -	155	211	5132	3789/1	3789/1
ATEGO 3 1221, 1221 L	04.2013 -	155	211	5132	3789	3789
ATEGO 3 1221, 1221 L	04.2013 -	155	211	5132	3908	3908
ATEGO 3 1221, 1221 L	04.2013 -	155	211	5132	3789/1	3789/1
ATEGO 3 1223 F	04.2013 -	170	231	5132	3789	3789
ATEGO 3 1223 F	04.2013 -	170	231	5132	3789/1	3789/1
ATEGO 3 1223 K	04.2013 -	170	231	5132	3789	3789
ATEGO 3 1223 K	04.2013 -	170	231	5132	3789/1	3789/1
ATEGO 3 1223, 1223 L	04.2013 -	170	231	5132	3789	3789
ATEGO 3 1223, 1223 L	04.2013 -	170	231	5132	3908	3908
ATEGO 3 1223, 1223 L	04.2013 -	170	231	5132	3789/1	3789/1
ATEGO 3 1224 K	04.2013 -	175	238	7698	3789	3789
ATEGO 3 1224 K	04.2013 -	175	238	7698	3789/1	3789/1
ATEGO 3 1224, 1224 L	04.2013 -	175	238	7698	3789	3789
ATEGO 3 1224, 1224 L	04.2013 -	175	238	7698	3908	3908
ATEGO 3 1224, 1224 L	04.2013 -	175	238	7698	3789/1	3789/1
ATEGO 3 1227 F	04.2013 -	200	272	7698	3789	3789
ATEGO 3 1227 F	04.2013 -	200	272	7698	3789/1	3789/1
ATEGO 3 1227 K	04.2013 -	200	272	7698	3789	3789
ATEGO 3 1227 K	04.2013 -	200	272	7698	3789/1	3789/1
ATEGO 3 1227, 1227 L	04.2013 -	175	238	7698	3908	3908
ATEGO 3 1227, 1227 L	04.2013 -	200	272	7698	3789	3789
ATEGO 3 1227, 1227 L	04.2013 -	200	272	7698	3789/1	3789/1
ATEGO 3 1230 F	04.2013 -	220	299	7698	3789	3789
ATEGO 3 1230 F	04.2013 -	220	299	7698	3789/1	3789/1
ATEGO 3 1230 K	04.2013 -	220	299	7698	3789	3789
ATEGO 3 1230 K	04.2013 -	220	299	7698	3789/1	3789/1
ATEGO 3 1230, 1230 L	04.2013 -	220	299	7698	3789	3789
ATEGO 3 1230, 1230 L	04.2013 -	220	299	7698	3789/1	3789/1
ATEGO 3 1318 K	04.2013 -	130	177	5132	3789	3789



**MAKE & MODEL****YEAR****KW****PS****CC****MERCEDES-BENZ**

ATEGO 3 1318 K	04.2013 -	130	177	5132	3789/1	3789/1
ATEGO 3 1318 LKO	04.2013 -	130	177	5132	3789	3789
ATEGO 3 1318 LKO	04.2013 -	130	177	5132	3789/1	3789/1
ATEGO 3 1318, 1318 L	04.2013 -	130	177	5132	3789	3789
ATEGO 3 1318, 1318 L	04.2013 -	130	177	5132	3789/1	3789/1
ATEGO 3 1321 K	04.2013 -	155	211	5132	3789	3789
ATEGO 3 1321 K	04.2013 -	155	211	5132	3789/1	3789/1
ATEGO 3 1321 LKO	04.2013 -	155	211	5132	3789	3789
ATEGO 3 1321 LKO	04.2013 -	155	211	5132	3789/1	3789/1
ATEGO 3 1321 LS	04.2013 -	155	211	5132	3789	3789
ATEGO 3 1321 LS	04.2013 -	155	211	5132	3789/1	3789/1
ATEGO 3 1321, 1321 L	04.2013 -	155	211	5132	3789	3789
ATEGO 3 1321, 1321 L	04.2013 -	155	211	5132	3789/1	3789/1
ATEGO 3 1323 F	04.2013 -	170	231	5132	3789	3789
ATEGO 3 1323 F	04.2013 -	170	231	5132	3789/1	3789/1
ATEGO 3 1323 K	04.2013 -	170	231	5132	3789	3789
ATEGO 3 1323 K	04.2013 -	170	231	5132	3789/1	3789/1
ATEGO 3 1323 LKO	04.2013 -	170	231	5132	3789	3789
ATEGO 3 1323 LKO	04.2013 -	170	231	5132	3789/1	3789/1
ATEGO 3 1323 LS	04.2013 -	170	231	5132	3789	3789
ATEGO 3 1323 LS	04.2013 -	170	231	5132	3789/1	3789/1
ATEGO 3 1323, 1323 L	04.2013 -	170	231	5132	3789	3789
ATEGO 3 1323, 1323 L	04.2013 -	170	231	5132	3789/1	3789/1
ATEGO 3 1324 K	04.2013 -	175	238	7698	3789	3789
ATEGO 3 1324 K	04.2013 -	175	238	7698	3789/1	3789/1
ATEGO 3 1324 LKO	04.2013 -	175	238	7698	3789	3789
ATEGO 3 1324 LKO	04.2013 -	175	238	7698	3789/1	3789/1
ATEGO 3 1324 LS	04.2013 -	175	238	7698	3789	3789
ATEGO 3 1324 LS	04.2013 -	175	238	7698	3789/1	3789/1
ATEGO 3 1324, 1324 L	04.2013 -	175	238	7698	3789	3789
ATEGO 3 1324, 1324 L	04.2013 -	175	238	7698	3789/1	3789/1
ATEGO 3 1327 F	04.2013 -	200	272	7698	3789	3789
ATEGO 3 1327 F	04.2013 -	200	272	7698	3789/1	3789/1
ATEGO 3 1327 K	04.2013 -	200	272	7698	3789	3789
ATEGO 3 1327 K	04.2013 -	200	272	7698	3789/1	3789/1
ATEGO 3 1327 LS	04.2013 -	200	272	7698	3789	3789
ATEGO 3 1327 LS	04.2013 -	200	272	7698	3789/1	3789/1
ATEGO 3 1327, 1327 L	04.2013 -	200	272	7698	3789	3789
ATEGO 3 1327, 1327 L	04.2013 -	200	272	7698	3789/1	3789/1
ATEGO 3 1330 F	04.2013 -	220	299	7698	3789	3789
ATEGO 3 1330 F	04.2013 -	220	299	7698	3789/1	3789/1
ATEGO 3 1330 K	04.2013 -	220	299	7698	3789	3789
ATEGO 3 1330 K	04.2013 -	220	299	7698	3789/1	3789/1
ATEGO 3 1330 LS	04.2013 -	220	299	7698	3789	3789
ATEGO 3 1330 LS	04.2013 -	220	299	7698	3789/1	3789/1
ATEGO 3 1330, 1330 L	04.2013 -	220	299	7698	3789	3789
ATEGO 3 1330, 1330 L	04.2013 -	220	299	7698	3789/1	3789/1
ATEGO 3 1518 K	04.2013 -	130	177	5132	3789	3789
ATEGO 3 1518 K	04.2013 -	130	177	5132	3789/1	3789/1
ATEGO 3 1518, 1518 L	04.2013 -	130	177	5132	3789	3789
ATEGO 3 1518, 1518 L	04.2013 -	130	177	5132	3789/1	3789/1
ATEGO 3 1521 K	04.2013 -	155	211	5132	3789	3789
ATEGO 3 1521 K	04.2013 -	155	211	5132	3789/1	3789/1
ATEGO 3 1521, 1521 L	04.2013 -	155	211	5132	3789	3789
ATEGO 3 1521, 1521 L	04.2013 -	155	211	5132	3789/1	3789/1
ATEGO 3 1523 K	04.2013 -	170	231	5132	3789	3789
ATEGO 3 1523 K	04.2013 -	170	231	5132	3789/1	3789/1
ATEGO 3 1523, 1523 L	04.2013 -	170	231	5132	3789	3789
ATEGO 3 1523, 1523 L	04.2013 -	170	231	5132	3789/1	3789/1
ATEGO 3 1524 K	04.2013 -	175	238	7698	3789	3789
ATEGO 3 1524 K	04.2013 -	175	238	7698	3789/1	3789/1
ATEGO 3 1524, 1524 L	04.2013 -	175	238	7698	3789	3789
ATEGO 3 1524, 1524 L	04.2013 -	175	238	7698	3789/1	3789/1
ATEGO 3 1527 F	04.2013 -	200	272	7698	3789	3789
ATEGO 3 1527 F	04.2013 -	200	272	7698	3789/1	3789/1
ATEGO 3 1527 K	04.2013 -	200	272	7698	3789	3789
ATEGO 3 1527 K	04.2013 -	200	272	7698	3789/1	3789/1



**MAKE & MODEL****YEAR****KW****PS****CC****MERCEDES-BENZ**

ATEGO 3 1527, 1527 L	04.2013 -	200	272	7698	3789	3789
ATEGO 3 1527, 1527 L	04.2013 -	200	272	7698	3789/1	3789/1
ATEGO 3 1530 F	04.2013 -	220	299	7698	3908	3908
ATEGO 3 1530 K	04.2013 -	220	299	7698	3908	3908
ATEGO 3 1530, 1530 L	04.2013 -	220	299	7698	3908	3908
ATEGO 3 716 K	04.2013 -	115	156	5132	3908	3908
ATEGO 3 716, 716 L	04.2013 -	115	156	5132	3908	3908
ATEGO 3 718 K	04.2013 -	130	177	5132	3908	3908
ATEGO 3 718, 718 L	04.2013 -	130	177	5132	3908	3908
ATEGO 3 721 K	04.2013 -	155	211	5132	3908	3908
ATEGO 3 721, 721 L	04.2013 -	155	211	5132	3908	3908
ATEGO 3 723 K	04.2013 -	170	231	5132	3908	3908
ATEGO 3 723, 723 L	04.2013 -	170	231	5132	3908	3908
ATEGO 3 816 K	04.2013 -	115	156	5132	3908	3908
ATEGO 3 816, 816 L	04.2013 -	115	156	5132	3908	3908
ATEGO 3 818 K	04.2013 -	130	177	5132	3908	3908
ATEGO 3 818, 818 L	04.2013 -	130	177	5132	3908	3908
ATEGO 3 821 K	04.2013 -	155	211	5132	3908	3908
ATEGO 3 821, 821 L	04.2013 -	155	211	5132	3908	3908
ATEGO 3 823 K	04.2013 -	170	231	5132	3908	3908
ATEGO 3 823, 823 L	04.2013 -	170	231	5132	3908	3908
ATEGO 3 824 K	04.2013 -	175	238	7698	3908	3908
ATEGO 3 824, 824 L	04.2013 -	175	238	7698	3908	3908
ATEGO 3 916 K	04.2013 -	115	156	5132	3908	3908
ATEGO 3 916, 916 L	04.2013 -	115	156	5132	3908	3908
ATEGO 3 918 F	04.2013 -	130	177	5132	3908	3908
ATEGO 3 918 K	04.2013 -	130	177	5132	3908	3908
ATEGO 3 918, 918 L	04.2013 -	130	177	5132	3908	3908
ATEGO 3 921 K	04.2013 -	155	211	5132	3908	3908
ATEGO 3 921, 921 L	04.2013 -	155	211	5132	3908	3908
ATEGO 3 923 F	04.2013 -	170	231	5132	3908	3908
ATEGO 3 923 K	04.2013 -	170	231	5132	3908	3908
ATEGO 3 923, 923 L	04.2013 -	170	231	5132	3908	3908
ATEGO 3 924 K	04.2013 -	175	238	7698	4091	
ATEGO 3 924, 924 L	04.2013 -	175	238	7698	4091	
ATEGO 3 927 F	04.2013 -	200	272	7698	4091	
ATEGO 712	01.1998 - 10.2004	90	122	4249	3908	3908
ATEGO 714 K	01.1998 - 10.2004	100	136	4249	3908	3908
ATEGO 714, 714 L	01.1998 - 10.2004	100	136	4249	3908	3908
ATEGO 715,715 L	01.1998 - 10.2004	112	152	4249	3908	3908
ATEGO 717 K	01.1998 - 10.2004	125	170	4249	3908	3908
ATEGO 717, 717 L	01.1998 - 10.2004	125	170	4249	3908	3908
ATEGO 812	01.1998 - 10.2004	90	122	4249	3908	3908
ATEGO 814 K	01.1998 - 10.2004	100	136	4249	3908	3908
ATEGO 814, 814 L	01.1998 - 10.2004	100	136	4249	3908	3908
ATEGO 815 F	01.1998 - 10.2004	112	152	4249	3908	3908
ATEGO 815 K	01.1998 - 10.2004	112	152	4249	3908	3908
ATEGO 815, 815 L	01.1998 - 10.2004	112	152	4249	3908	3908
ATEGO 815,815 L	01.1998 - 10.2004	112	152	4249	3908	3908
ATEGO 817 K	01.1998 - 10.2004	125	170	4249	3908	3908
ATEGO 817, 817 L	01.1998 - 10.2004	125	170	4249	3908	3908
ATEGO 823 K	01.1998 - 10.2004	170	231	6374	3908	3908
ATEGO 823, 823 L	01.1998 - 10.2004	170	231	6374	3908	3908
ATEGO 914 K	01.1998 - 10.2004	100	136	4249	3789	3789
ATEGO 914 K	01.1998 - 10.2004	100	136	4249	3908	3908
ATEGO 914 K	01.1998 - 10.2004	100	136	4249	3789/1	3789/1
ATEGO 914, 914 L	01.1998 - 10.2004	100	136	4249	3789	3789
ATEGO 914, 914 L	01.1998 - 10.2004	100	136	4249	3908	3908
ATEGO 914, 914 L	01.1998 - 10.2004	100	136	4249	3789/1	3789/1
ATEGO 917 AF	01.1998 - 10.2004	125	170	4249	3908	3908
ATEGO 917 K	01.1998 - 10.2004	125	170	4249	3789	3789
ATEGO 917 K	01.1998 - 10.2004	125	170	4249	3908	3908
ATEGO 917 K	01.1998 - 10.2004	125	170	4249	3789/1	3789/1
ATEGO 917 KO	01.1998 - 10.2004	125	170	4249	3908	3908
ATEGO 917, 917 L	01.1998 - 10.2004	125	170	4249	3908	3908
ATEGO 923 K	01.1998 - 10.2004	170	231	6374	3789	3789
ATEGO 923 K	01.1998 - 10.2004	170	231	6374	3908	3908

**MAKE & MODEL****YEAR****KW****PS****CC****MERCEDES-BENZ**

ATEGO 923 K	01.1998 - 10.2004	170	231	6374	3789/1	3789/1
ATEGO 923, 923 L	01.1998 - 10.2004	170	231	6374	3908	3908
AXOR 1823	01.2002 - 10.2004	170	231	6374	4091	
AXOR 1823	01.2002 - 10.2004	170	231	6374	3664	3664
AXOR 1823 K	01.2002 - 10.2004	170	231	6374	4091	
AXOR 1823 K	01.2002 - 10.2004	170	231	6374	3664	3664
AXOR 1835 LS	01.2002 - 10.2004	260	354	11967	4091	
AXOR 1835 LS	01.2002 - 10.2004	260	354	11967	3664	3664
AXOR 1840 LS	01.2002 - 10.2004	295	401	11967	4091	
AXOR 1840 LS	01.2002 - 10.2004	295	401	11967	3664	3664
AXOR 1843 LS	01.2002 - 10.2004	315	428	11967	4091	
AXOR 1843 LS	01.2002 - 10.2004	315	428	11967	3664	3664
AXOR 2 1823 AK, 1824 AK	10.2004 -	170	231	6374	4091	
AXOR 2 1823 K, 1823 KL, 1824 K	10.2004 -	170	231	6374	4091	
AXOR 2 1823 K, 1823 KL, 1824 K	10.2004 -	170	231	6374	3664	3664
AXOR 2 1823 LS, 1824 LS	10.2004 -	170	231	6374	4091	
AXOR 2 1823 LS, 1824 LS	10.2004 -	170	231	6374	3664	3664
AXOR 2 1823, 1823 L, 1824, 1824 L, LL	10.2004 -	170	231	6374	4091	
AXOR 2 1823, 1823 L, 1824, 1824 L, LL	10.2004 -	170	231	6374	3664	3664
AXOR 2 1826 AK	10.2004 -	188	256	6374	4091	
AXOR 2 1826 K	10.2004 -	188	256	6374	4091	
AXOR 2 1826 K	10.2004 -	188	256	6374	3664	3664
AXOR 2 1826 LS	10.2004 -	188	256	6374	4091	
AXOR 2 1826 LS	10.2004 -	188	256	6374	3664	3664
AXOR 2 1826, 1826 L, LL	10.2004 -	188	256	6374	4091	
AXOR 2 1826, 1826 L, LL	10.2004 -	188	256	6374	3664	3664
AXOR 2 1828 A, 1829 A	10.2004 -	205	279	6374	4091	
AXOR 2 1828 AK, 1829 AK	10.2004 -	205	279	6374	4091	
AXOR 2 1828 K, 1828 KL, 1829 K	10.2004 -	205	279	6374	4091	
AXOR 2 1828 K, 1828 KL, 1829 K	10.2004 -	205	279	6374	3664	3664
AXOR 2 1828 LS	10.2004 -	205	279	6374	4091	
AXOR 2 1828 LS	10.2004 -	205	279	6374	3664	3664
AXOR 2 1828, 1828 L, 1829, 1829 L, LL	10.2004 -	205	279	6374	4091	
AXOR 2 1828, 1828 L, 1829, 1829 L, LL	10.2004 -	205	279	6374	3664	3664
AXOR 2 1829 LS	10.2004 -	210	286	6374	4091	
AXOR 2 1829 LS	10.2004 -	210	286	6374	3664	3664
AXOR 2 1833 A	10.2004 -	240	326	7201	4091	
AXOR 2 1833 AK	10.2004 -	240	326	7201	4091	
AXOR 2 1833 K	10.2004 -	240	326	7201	4091	
AXOR 2 1833 K	10.2004 -	240	326	7201	3664	3664
AXOR 2 1833 LS	10.2004 -	240	326	7201	4091	
AXOR 2 1833 LS	10.2004 -	240	326	7201	3664	3664
AXOR 2 1833, 1833 L, LL	10.2004 -	240	326	7201	4091	
AXOR 2 1833, 1833 L, LL	10.2004 -	240	326	7201	3664	3664
AXOR 2 1835 LS	01.2011 -	260	354	11967	4091	
AXOR 2 1835 LS	01.2011 -	260	354	11967	3664	3664
AXOR 2 1836 LS, LLS	10.2004 -	265	360	11967	4091	
AXOR 2 1836 LS, LLS	10.2004 -	265	360	11967	3664	3664
AXOR 2 1840 LS, LLS	10.2004 -	295	401	11967	4091	
AXOR 2 1840 LS, LLS	10.2004 -	295	401	11967	3664	3664
AXOR 2 1843 LS, LLS	10.2004 -	315	428	11967	4091	
AXOR 2 1843 LS, LLS	10.2004 -	315	428	11967	3664	3664
AXOR 2 1933	10.2004 -	240	326	7201	4091	
AXOR 2 1933	10.2004 -	240	326	7201	3664	3664
AXOR 2 1933 S	01.2011 -	240	326	7201	4091	
AXOR 2 1933 S	01.2011 -	240	326	7201	3664	3664
AXOR 2 2035 S, 2036 S, LS	01.2011 -	260	354	11967	4091	
AXOR 2 2035 S, 2036 S, LS	01.2011 -	260	354	11967	3664	3664
AXOR 2 2040 S, 2041 S, 2041 S, 2041 LS	01.2011 -	295	401	11967	4091	
AXOR 2 2040 S, 2041 S, 2041 S, 2041 LS	01.2011 -	295	401	11967	3664	3664
AXOR 2 2044 S	01.2011 -	315	428	11967	4091	
AXOR 2 2044 S	01.2011 -	315	428	11967	3664	3664
AXOR 2 2436 LS, 2536 LS	10.2004 -	265	360	11967	4091	
AXOR 2 2436 LS, 2536 LS	10.2004 -	265	360	11967	3664	3664
AXOR 2 2440 LS, 2540 LS	10.2004 -	295	401	11967	4091	
AXOR 2 2440 LS, 2540 LS	10.2004 -	295	401	11967	3664	3664
AXOR 2 2443 LS, 2543 LS	10.2004 -	315	428	11967	4091	

**MAKE & MODEL****YEAR****KW****PS****CC****MERCEDES-BENZ**

AXOR 2 2443 LS, 2543 LS	10.2004 -	315	428	11967	3664	3664
AXOR 2 2523	01.2011 -	170	231	6374	4091	
AXOR 2 2523	01.2011 -	170	231	6374	3664	3664
AXOR 2 2528 K, 2528 KL	01.2011 -	205	279	6374	4091	
AXOR 2 2528 K, 2528 KL	01.2011 -	205	279	6374	3664	3664
AXOR 2 2528 L, 2529 L	10.2004 -	205	279	6374	4091	
AXOR 2 2528 L, 2529 L	10.2004 -	205	279	6374	3664	3664
AXOR 2 2533, 2533 L	10.2004 -	240	326	7201	4091	
AXOR 2 2533, 2533 L	10.2004 -	240	326	7201	3664	3664
AXOR 2 2535 L, 2536 L, 2536 LL	10.2004 -	260	354	11967	4091	
AXOR 2 2535 L, 2536 L, 2536 LL	10.2004 -	260	354	11967	3664	3664
AXOR 2 2535 S, 2535 LS	10.2004 -	260	354	11967	4091	
AXOR 2 2535 S, 2535 LS	10.2004 -	260	354	11967	3664	3664
AXOR 2 2540 L, LL	10.2004 -	295	401	11967	4091	
AXOR 2 2540 L, LL	10.2004 -	295	401	11967	3664	3664
AXOR 2 2540 S, 2541 S, LS	10.2004 -	295	401	11967	4091	
AXOR 2 2540 S, 2541 S, LS	10.2004 -	295	401	11967	3664	3664
AXOR 2 2543 L, LL	10.2004 -	315	428	11967	4091	
AXOR 2 2543 L, LL	10.2004 -	315	428	11967	3664	3664
AXOR 2 2543 S, 2543 LS	10.2004 -	315	428	11967	4091	
AXOR 2 2543 S, 2543 LS	10.2004 -	315	428	11967	3664	3664
AXOR 2 2544 S, 2544 LS	10.2004 -	323	439	11967	4091	
AXOR 2 2628 B, 2629 B	10.2004 -	205	279	6374	4091	
AXOR 2 2628 B, 2629 B	10.2004 -	205	279	6374	3664	3664
AXOR 2 2628 K, 2629 K	10.2004 -	205	279	6374	4091	
AXOR 2 2628 K, 2629 K	10.2004 -	205	279	6374	3664	3664
AXOR 2 2628, 2629	10.2004 -	205	279	6374	4091	
AXOR 2 2628, 2629	10.2004 -	205	279	6374	3664	3664
AXOR 2 2633	10.2004 -	240	326	7201	4091	
AXOR 2 2633	10.2004 -	240	326	7201	3664	3664
AXOR 2 2633 B	10.2004 -	240	326	7201	4091	
AXOR 2 2633 B	10.2004 -	240	326	7201	3664	3664
AXOR 2 2633 K	10.2004 -	240	326	7201	4091	
AXOR 2 2633 K	10.2004 -	240	326	7201	3664	3664
AXOR 2 2635 B	10.2005 -	260	354	11967	4091	
AXOR 2 2635 B	10.2005 -	260	354	11967	3664	3664
AXOR 2 2636	10.2004 -	265	360	11967	4091	
AXOR 2 2636	10.2004 -	265	360	11967	3664	3664
AXOR 2 2636 B	10.2004 -	265	360	11967	4091	
AXOR 2 2636 B	10.2004 -	265	360	11967	3664	3664
AXOR 2 2636 K	10.2004 -	265	360	11967	4091	
AXOR 2 2636 K	10.2004 -	265	360	11967	3664	3664
AXOR 2 2640	10.2004 -	295	401	11967	4091	
AXOR 2 2640	10.2004 -	295	401	11967	3664	3664
AXOR 2 2640 B	10.2004 -	295	401	11967	4091	
AXOR 2 2640 B	10.2004 -	295	401	11967	3664	3664
AXOR 2 2640 K	10.2004 -	295	401	11967	4091	
AXOR 2 2640 K	10.2004 -	295	401	11967	3664	3664
AXOR 2 2640 S, 2641 S, LS	10.2004 -	295	401	11967	4091	
AXOR 2 2640 S, 2641 S, LS	10.2004 -	295	401	11967	3664	3664
AXOR 2 2643	10.2004 -	315	428	11967	4091	
AXOR 2 2643	10.2004 -	315	428	11967	3664	3664
AXOR 2 2643 B	10.2004 -	315	428	11967	4091	
AXOR 2 2643 B	10.2004 -	315	428	11967	3664	3664
AXOR 2 2643 K	10.2004 -	315	428	11967	4091	
AXOR 2 2643 K	10.2004 -	315	428	11967	3664	3664
AXOR 2 2644 S, LS	01.2011 -	315	428	11967	4091	
AXOR 2 2644 S, LS	01.2011 -	315	428	11967	3664	3664
AXOR 2 2644 S, LS	01.2011 -	323	439	11967	4091	
AXOR 2 2828 K	10.2004 -	205	279	6374	4091	
AXOR 2 2831	01.2011 -	225	305	7201	4091	
AXOR 2 3028 B	01.2011 -	205	279	6374	4091	
AXOR 2 3028 B	01.2011 -	205	279	6374	3664	3664
AXOR 2 3028 K	01.2011 -	205	279	6374	4091	
AXOR 2 3028 K	01.2011 -	205	279	6374	3664	3664
AXOR 2 3131	01.2011 -	228	310	7201	4091	
AXOR 2 3228	01.2011 -	205	279	6374	4091	

**MAKE & MODEL****YEAR****KW****PS****CC****MERCEDES-BENZ**

AXOR 2 3228	01.2011 -	205	279	6374	3664	3664
AXOR 2 3235	10.2004 -	260	354	11967	4091	
AXOR 2 3235	10.2004 -	260	354	11967	3664	3664
AXOR 2 3236 B	10.2004 -	265	360	11967	4091	
AXOR 2 3236 B	10.2004 -	265	360	11967	3664	3664
AXOR 2 3236 K	10.2004 -	265	360	11967	4091	
AXOR 2 3236 K	10.2004 -	265	360	11967	3664	3664
AXOR 2 3240	03.2005 -	295	401	11967	4091	
AXOR 2 3240	03.2005 -	295	401	11967	3664	3664
AXOR 2 3240 B	10.2004 -	295	401	11967	4091	
AXOR 2 3240 B	10.2004 -	295	401	11967	3664	3664
AXOR 2 3240 K	10.2004 -	295	401	11967	4091	
AXOR 2 3240 K	10.2004 -	295	401	11967	3664	3664
AXOR 2 3243	10.2004 -	315	428	11967	4091	
AXOR 2 3243	10.2004 -	315	428	11967	3664	3664
AXOR 2 3243 B	10.2004 -	315	428	11967	4091	
AXOR 2 3243 B	10.2004 -	315	428	11967	3664	3664
AXOR 2 3243 K	10.2004 -	315	428	11967	4091	
AXOR 2 3243 K	10.2004 -	315	428	11967	3664	3664
AXOR 2 3335	10.2004 -	260	354	11967	4091	
AXOR 2 3335	10.2004 -	260	354	11967	3664	3664
AXOR 2 3335 B	10.2004 - 10.2005	260	354	11967	4091	
AXOR 2 3335 B	10.2004 - 10.2005	260	354	11967	3664	3664
AXOR 2 3335 K	06.2009 -	260	354	11967	4091	
AXOR 2 3335 K	06.2009 -	260	354	11967	3664	3664
AXOR 2 3335 S	09.2008 -	260	354	11967	4091	
AXOR 2 3335 S	09.2008 -	260	354	11967	3664	3664
AXOR 2 3340 B	10.2004 - 10.2005	295	401	11967	4091	
AXOR 2 3340 B	10.2004 - 10.2005	295	401	11967	3664	3664
AXOR 2 3340 K, 3341 K	10.2004 -	295	401	11967	4091	
AXOR 2 3340 K, 3341 K	10.2004 -	295	401	11967	3664	3664
AXOR 2 3340 S, 3341 S	06.2009 -	295	400	11967	4091	
AXOR 2 3340 S, 3341 S	06.2009 -	295	400	11967	3664	3664
AXOR 2 3340, 3341	10.2004 -	295	401	11967	4091	
AXOR 2 3340, 3341	10.2004 -	295	401	11967	3664	3664
AXOR 2 3343	10.2004 -	315	428	11967	4091	
AXOR 2 3343	10.2004 -	315	428	11967	3664	3664
AXOR 2 3343 B	10.2004 -	315	428	11967	4091	
AXOR 2 3343 B	10.2004 -	315	428	11967	3664	3664
AXOR 2 3343 K	01.2011 -	315	428	11967	4091	
AXOR 2 3343 K	01.2011 -	315	428	11967	3664	3664
AXOR 2 3343 S	01.2011 -	315	428	11967	4091	
AXOR 2 3344	10.2004 -	323	437	11967	4091	
AXOR 2 3344 K	01.2011 -	315	428	11967	4091	
AXOR 2 3344 K	01.2011 -	315	428	11967	3664	3664
AXOR 2 3535 K	06.2009 -	260	354	11967	4091	
AXOR 2 4135 B	10.2005 -	260	354	11967	4091	
AXOR 2 4135 B	10.2005 -	260	354	11967	3664	3664
AXOR 2 4135 K	06.2009 -	260	354	11967	4091	
AXOR 2 4135 K	06.2009 -	260	354	11967	3664	3664
AXOR 2 4140	01.2011 -	295	401	11967	4091	
AXOR 2 4140 B	01.2011 -	295	401	11967	4091	
AXOR 2 4140 B	01.2011 -	295	401	11967	3664	3664
AXOR 2 4140 K	06.2009 -	295	401	11967	4091	
AXOR 2 4140 K	06.2009 -	295	401	11967	3664	3664
AXOR 2 4143 B	01.2011 -	315	428	11967	4091	
AXOR 2 4143 B	01.2011 -	315	428	11967	3664	3664
AXOR 2 4143 K	01.2011 -	315	428	11967	4091	
AXOR 2 4143 K	01.2011 -	315	428	11967	4322	4322
AXOR 2 4143 K	01.2011 -	315	428	11967	3664	3664
AXOR 2 4143 K	06.2009 -	315	428	11967	4091	
AXOR 2 4143 K	06.2009 -	315	428	11967	4322	4322
AXOR 2 4143 K	06.2009 -	315	428	11967	3664	3664
AXOR 2 4144	01.2011 -	315	428	11967	4091	
AXOR 2 4144	01.2011 -	315	428	11967	4322	4322
AXOR 2523	01.2002 - 10.2004	170	231	6374	4091	
AXOR 2523	01.2002 - 10.2004	170	231	6374	3664	3664

**MAKE & MODEL****YEAR****KW****PS****CC****MERCEDES-BENZ**

AXOR 2523 K	01.2002 - 10.2004	170	231	6374	4091	
AXOR 2523 K	01.2002 - 10.2004	170	231	6374	3664	3664
AXOR 2528	01.2002 - 10.2004	205	279	6374	4091	
AXOR 2528	01.2002 - 10.2004	205	279	6374	3664	3664
AXOR 2535 LS	01.2002 - 10.2004	260	354	11967	4091	
AXOR 2535 LS	01.2002 - 10.2004	260	354	11967	3664	3664
AXOR 2540 LS	01.2002 - 10.2004	295	401	11967	4091	
AXOR 2540 LS	01.2002 - 10.2004	295	401	11967	3664	3664
AXOR 2543 LS	01.2002 - 10.2004	315	428	11967	4091	
AXOR 2543 LS	01.2002 - 10.2004	315	428	11967	3664	3664
AXOR 2623 L	01.2002 - 10.2004	170	231	6374	4091	
AXOR 2623 L	01.2002 - 10.2004	170	231	6374	3664	3664
AXOR 2628 B	01.2002 - 10.2004	205	279	6374	3664	
AXOR 2628 B	01.2002 - 10.2004	205	279	6374	4091	
AXOR 2628 K	01.2002 - 10.2004	205	279	6374	3664	
AXOR 2628 K	01.2002 - 10.2004	205	279	6374	4091	
AXOR 2628 L	01.2002 - 10.2004	205	279	6374	4091	
AXOR 2628 L	01.2002 - 10.2004	205	279	6374	3664	3664
AXOR 3228 C	01.2002 - 10.2004	205	279	6374	4091	
AXOR 3228 C	01.2002 - 10.2004	205	279	6374	3664	3664
CAPACITY CapaCity	04.2007 -	260	354	11967	4091	
CAPACITY CapaCity	04.2007 -	260	354	11967	4322	4322
CITARO (O 530) Citaro BZ	01.2002 -	225	306	0	4091	
CITARO (O 530) Citaro BZ	01.2002 -	225	306	0	4322	4322
CITARO (O 530) Citaro BZ	01.2002 -	225	306	0	3664	3664
CITARO (O 530) Citaro C	08.2013 -	210	286	7201	4091	
CITARO (O 530) Citaro G	01.1998 -	185	252	6374	4091	
CITARO (O 530) Citaro G	01.1998 -	185	252	6374	4322	4322
CITARO (O 530) Citaro G	01.1998 -	185	252	6374	3664	3664
CITARO (O 530) Citaro G	01.1999 -	205	279	6374	4091	
CITARO (O 530) Citaro G	01.1999 -	205	279	6374	4322	4322
CITARO (O 530) Citaro G	01.1999 -	205	279	6374	3664	3664
CITARO (O 530) Citaro G, Citaro GN3, Citaro LÜ	01.1998 -	220	299	11967	4091	
CITARO (O 530) Citaro G, Citaro GN3, Citaro LÜ	01.1998 -	220	299	11967	4322	4322
CITARO (O 530) Citaro G, Citaro LÜ	01.1998 -	260	354	11967	4091	
CITARO (O 530) Citaro G, Citaro LÜ	01.1998 -	260	354	11967	4322	4322
CITARO (O 530) Citaro GNG	04.2000 -	240	326	11967	4091	
CITARO (O 530) Citaro GNG	04.2000 -	240	326	11967	4322	4322
CITARO (O 530) Citaro GNG	04.2000 -	240	326	11967	3664	3664
CITARO (O 530) Citaro N	01.1998 -	170	231	6374	4091	
CITARO (O 530) Citaro N	01.1998 -	170	231	6374	4322	4322
CITARO (O 530) Citaro N	01.1998 -	170	231	6374	3664	3664
CITARO (O 530) Citaro N	01.1998 -	185	252	11967	4091	
CITARO (O 530) Citaro N	01.1998 -	185	252	11967	4322	4322
CITARO (O 530) Citaro N	01.1998 -	185	252	11967	3664	3664
CITARO (O 530) Citaro N	01.1998 -	205	279	6374	4091	
CITARO (O 530) Citaro N	01.1998 -	205	279	6374	4322	4322
CITARO (O 530) Citaro N	01.1998 -	205	279	6374	3664	3664
CITARO (O 530) Citaro N	01.1999 -	205	279	6374	4091	
CITARO (O 530) Citaro N	01.1999 -	205	279	6374	4322	4322
CITARO (O 530) Citaro N	01.1999 -	205	279	6374	3664	3664
CITARO (O 530) Citaro N	04.1999 -	180	245	6374	4091	
CITARO (O 530) Citaro N	04.1999 -	180	245	6374	4322	4322
CITARO (O 530) Citaro N	04.1999 -	180	245	6374	3664	3664
CITARO (O 530) Citaro N, Citaro MUE	01.1998 -	220	299	11967	4091	
CITARO (O 530) Citaro N, Citaro MUE	01.1998 -	220	299	11967	4322	4322
CITARO (O 530) Citaro N, Citaro MUE	01.1998 -	220	299	11967	3664	3664
CITARO (O 530) Citaro N, Citaro MUE	01.1998 -	260	354	11967	4091	
CITARO (O 530) Citaro N, Citaro MUE	01.1998 -	260	354	11967	4322	4322
CITARO (O 530) Citaro N, Citaro MUE	01.1998 -	260	354	11967	3664	3664
CITARO (O 530) Citaro NG	04.2000 -	240	326	11967	4091	
CITARO (O 530) Citaro NG	04.2000 -	240	326	11967	4322	4322
CITARO (O 530) Citaro NG	04.2000 -	240	326	11967	3664	3664
CITARO (O 530) Citaro NG	06.2000 -	185	252	11967	4091	
CITARO (O 530) Citaro NG	06.2000 -	185	252	11967	4322	4322
CITARO (O 530) Citaro NG	06.2000 -	185	252	11967	3664	3664
CITARO (O 530) Citaro Ü	05.2012 -	220	299	7700	4091	



**MAKE & MODEL****YEAR****KW****PS****CC****MERCEDES-BENZ**

CITARO (O 530) Citaro Ü	05.2012 -	265	360	10700	4091	
CITARO (O 530) Citaro, Citaro MUE	01.1998 -	210	286	6374	4091	
CITARO (O 530) Citaro, Citaro MUE	01.1998 -	210	286	6374	4322	4322
CITARO (O 530) Citaro, Citaro MUE	01.1998 -	210	286	6374	3664	3664
CITO (O 520) 130 kW	06.1999 -	130	177	4249	4091	
CITO (O 520) 130 kW	06.1999 -	130	177	4249	4322	4322
CITO (O 520) 130 kW	06.1999 -	130	177	4249	3664	3664
CONECTO (O 345) CONECTO 12M	11.2001 -	157	214	11967	4091	
CONECTO (O 345) CONECTO 12M	11.2001 -	157	214	11967	4322	4322
CONECTO (O 345) CONECTO 12M	11.2001 -	205	279	6374	4091	
CONECTO (O 345) CONECTO 12M	11.2001 -	205	279	6374	4322	4322
CONECTO (O 345) CONECTO 12M	11.2001 -	210	286	7201	4091	
CONECTO (O 345) CONECTO 12M	11.2001 -	210	286	7201	4322	4322
CONECTO (O 345) CONECTO 12M	11.2001 -	220	299	11967	4091	
CONECTO (O 345) CONECTO 12M	11.2001 -	220	299	11967	4322	4322
CONECTO (O 345) CONECTO 12M	11.2001 -	260	354	11967	4091	
CONECTO (O 345) CONECTO 12M	11.2001 -	260	354	11967	4322	4322
CONECTO (O 345) CONECTO 18M	11.2001 -	185	252	11967	4091	
CONECTO (O 345) CONECTO 18M	11.2001 -	185	252	11967	4322	4322
CONECTO (O 345) CONECTO 18M	11.2001 -	220	299	11967	4091	
CONECTO (O 345) CONECTO 18M	11.2001 -	260	354	11967	4091	
ECONIC 1823 L, 1823 LL	03.1998 -	170	231	6374	4091	
ECONIC 1823 L, 1823 LL	03.1998 -	170	231	6374	3664	3664
ECONIC 1824 L, 1824 LL	10.2006 -	175	238	6374	4091	
ECONIC 1824 L, 1824 LL	10.2006 -	175	238	6374	3664	3664
ECONIC 1828 L	10.2000 -	205	279	6883	4091	
ECONIC 1828 L	10.2000 -	205	279	6883	3664	3664
ECONIC 1828 L, 1828 LL	03.1998 -	205	279	6374	4091	
ECONIC 1828 L, 1828 LL	03.1998 -	205	279	6374	3664	3664
ECONIC 1828 L, 1828 LL	10.2006 -	205	279	6883	4091	
ECONIC 1828 L, 1828 LL	10.2006 -	205	279	6883	3664	3664
ECONIC 1828 LLS	10.2000 -	205	279	6883	4091	
ECONIC 1828 LLS	10.2000 -	205	279	6883	3664	3664
ECONIC 1828 LS	10.2004 -	205	279	6883	4091	
ECONIC 1828 LS	10.2004 -	205	279	6883	4322	4322
ECONIC 1828 LS	10.2004 -	205	279	6883	3664	3664
ECONIC 1829 L, 1829 LL	10.2006 -	210	286	6374	4091	
ECONIC 1829 L, 1829 LL	10.2006 -	210	286	6374	3664	3664
ECONIC 1829 LS	10.2007 -	210	286	6374	4091	
ECONIC 1829 LS	10.2007 -	210	286	6374	4322	4322
ECONIC 1829 LS	10.2007 -	210	286	6374	3664	3664
ECONIC 1833 L, 1833 LL	10.2006 -	240	326	7201	4091	
ECONIC 1833 L, 1833 LL	10.2006 -	240	326	7201	3664	3664
ECONIC 1833 LS	10.2007 -	240	326	7201	4091	
ECONIC 1833 LS	10.2007 -	240	326	7201	3664	3664
ECONIC 2 1830 LL	04.2013 -	220	299	7698	4050	
ECONIC 2 1830 LL	04.2013 -	220	299	7698	4266	
ECONIC 2 1830 LL	04.2013 -	220	299	7698	4091	4091
ECONIC 2 1835 LL	04.2013 -	260	354	7698	4050	
ECONIC 2 1835 LL	04.2013 -	260	354	7698	4266	
ECONIC 2 1835 LL	04.2013 -	260	354	7698	4091	4091
ECONIC 2 2630 LL	04.2013 -	220	299	7698	4050	
ECONIC 2 2630 LL	04.2013 -	220	299	7698	4266	
ECONIC 2 2630 LL	04.2013 -	220	299	7698	4091	4091
ECONIC 2 2635 LL	04.2013 -	260	354	7698	4050	
ECONIC 2 2635 LL	04.2013 -	260	354	7698	4266	
ECONIC 2 2635 LL	04.2013 -	260	354	7698	4091	4091
ECONIC 2624 L	03.1998 -	175	238	6374	4091	
ECONIC 2624 L	03.1998 -	175	238	6374	4322	4322
ECONIC 2624 L	03.1998 -	175	238	6374	3664	3664
ECONIC 2628 L	10.2000 -	205	279	6883	4091	
ECONIC 2628 L	10.2000 -	205	279	6883	4322	4322
ECONIC 2628 L	10.2000 -	205	279	6883	3664	3664
ECONIC 2628 L	10.2001 -	205	279	6883	4091	
ECONIC 2628 L	10.2001 -	205	279	6883	4322	4322
ECONIC 2628 L	10.2001 -	205	279	6883	3664	3664
ECONIC 2628 LL	01.1998 -	205	279	6374	4091	



**MAKE & MODEL****YEAR****KW****PS****CC****MERCEDES-BENZ**

ECONIC 2628 LL	01.1998 -	205	279	6374	3664	3664
ECONIC 2628 LL	03.1998 -	205	279	6374	4091	
ECONIC 2628 LL	03.1998 -	205	279	6374	3664	3664
ECONIC 2629 L, 2629 LL	10.2001 -	210	286	6374	4091	
ECONIC 2629 L, 2629 LL	10.2001 -	210	286	6374	3664	3664
ECONIC 2633 L	10.2001 -	240	326	7201	4091	
ECONIC 2633 L	10.2001 -	240	326	7201	4322	4322
ECONIC 2633 L	10.2001 -	240	326	7201	3664	3664
ECONIC 2633 L, 2633 LL	10.2007 -	240	326	7201	4091	
ECONIC 2633 L, 2633 LL	10.2007 -	240	326	7201	3664	3664
ECONIC 2633 LL	10.2007 -	240	326	6374	4091	
ECONIC 2633 LL	10.2007 -	240	326	6374	3664	3664
ECONIC 3233 L, 3233 LL	10.2007 -	240	326	7201	4091	
ECONIC 3233 L, 3233 LL	10.2007 -	240	326	7201	3664	3664
INTEGRO (O 550) Integro L	01.2006 -	210	286	7201	4091	
INTEGRO (O 550) Integro L	01.2006 -	210	286	7201	4322	4322
INTEGRO (O 550) Integro L	01.2006 -	210	286	7201	3664	3664
INTEGRO (O 550) Integro L	01.2006 -	220	300	11967	3664	3664
INTEGRO (O 550) Integro L	01.2006 -	260	354	11967	4091	
INTEGRO (O 550) Integro L	01.2006 -	260	354	11967	4322	4322
INTEGRO (O 550) Integro L	01.2006 -	260	354	11967	3664	3664
INTEGRO (O 550) Integro L	01.2006 -	300	408	11967	4091	
INTEGRO (O 550) Integro L	01.2006 -	300	408	11967	4322	4322
INTEGRO (O 550) Integro L	01.2006 -	300	408	11967	3664	3664
INTEGRO (O 550) Integro, Integro M	01.2006 -	210	286	7201	4091	
INTEGRO (O 550) Integro, Integro M	01.2006 -	210	286	7201	4322	4322
INTEGRO (O 550) Integro, Integro M	01.2006 -	220	299	11967	4091	
INTEGRO (O 550) Integro, Integro M	01.2006 -	220	299	11967	4322	4322
INTEGRO (O 550) Integro, Integro M	01.2006 -	220	299	11967	3664	3664
INTEGRO (O 550) Integro, Integro M	01.2006 -	260	354	11967	4091	
INTEGRO (O 550) Integro, Integro M	01.2006 -	260	354	11967	4322	4322
INTEGRO (O 550) Integro, Integro M	01.2006 -	260	354	11967	3664	3664
INTOURO Intouro, Intouro E, Intouro M, Intouro ME	01.2005 -	210	286	7201	4091	
INTOURO Intouro, Intouro E, Intouro M, Intouro ME	01.2005 -	210	286	7201	4322	4322
INTOURO Intouro, Intouro E, Intouro M, Intouro ME	01.2005 -	210	286	7201	3664	3664
INTOURO Intouro, Intouro E, Intouro M, Intouro ME	01.2005 -	220	299	11967	4091	
INTOURO Intouro, Intouro E, Intouro M, Intouro ME	01.2005 -	220	299	11967	4322	4322
INTOURO Intouro, Intouro E, Intouro M, Intouro ME	01.2005 -	220	299	11967	3664	3664
INTOURO Intouro, Intouro E, Intouro M, Intouro ME	01.2005 -	260	354	11967	4091	
INTOURO Intouro, Intouro E, Intouro M, Intouro ME	01.2005 -	260	354	11967	4322	4322
INTOURO Intouro, Intouro E, Intouro M, Intouro ME	01.2005 -	260	354	11967	3664	3664
INTOURO Intouro, Intouro E, Intouro M, Intouro ME	01.2005 -	300	408	11967	4091	
INTOURO Intouro, Intouro E, Intouro M, Intouro ME	01.2005 -	300	408	11967	4322	4322
INTOURO Intouro, Intouro E, Intouro M, Intouro ME	01.2005 -	300	408	11967	3664	3664
MK 1827,1827 L	12.1987 - 09.1996	200	272	9570	4091	
MK 1827,1827 L	12.1987 - 09.1996	200	272	10964	4091	
O 340 O 340	01.1991 - 06.1995	250	340	10964	4091	
O 340 O 340	01.1991 - 06.1995	250	340	10964	4322	4322
O 340 O 340	01.1991 - 06.1995	250	340	10964	3497	3497
O 340 O 340	01.1991 - 12.1995	280	381	12760	4091	
O 340 O 340	01.1991 - 12.1995	280	381	12760	4322	4322
O 340 Turismo	08.1992 - 08.1995	280	381	12760	4091	
O 340 Turismo	08.1992 - 08.1995	280	381	12760	4322	4322
O 340 Turismo	08.1992 - 08.1995	280	381	12760	3497	3497
O 403 O 403 RHD	01.2003 -	280	381	14618	4091	
O 403 O 403 RHD	01.2003 -	280	381	14618	4322	4322
O 403 O 403 RHD	09.2003 -	280	381	12760	4091	
O 403 O 403 RHD	09.2003 -	280	381	12760	4322	4322
O 403 O 403 SHD	01.2003 -	250	340	10964	4091	
O 403 O 403 SHD	01.2003 -	250	340	10964	4322	4322
O 403 O 403 SHD	09.2003 -	260	354	11967	3664	3664
O 403 O 403 SHD	09.2003 -	310	422	11967	4091	
O 403 O 403 SHD	09.2003 -	310	422	11967	4322	4322
O 403 O 403 SHD	09.2003 -	310	422	11967	3664	3664
O 404 O 404	01.1991 - 12.1999	370	503	14618	4091	
O 404 O 404	01.1991 - 12.1999	370	503	14618	4322	4322
O 404 O 404	09.1991 - 01.1992	151	205	11309	3497	3497

**MAKE & MODEL****YEAR****KW****PS****CC****MERCEDES-BENZ**

O 404 O 404	09.1991 - 01.1992	165	224	11309	3497	
O 404 O 404	09.1991 - 01.1992	195	265	15078	3497	3497
O 404 O 404	09.1991 - 01.1992	213	290	15078	3497	
O 404 O 404	09.1991 - 10.1999	200	272	9570	3497	3497
O 404 O 404	09.1991 - 10.1999	213	290	9570	3497	3497
O 404 O 404	09.1991 - 10.1999	250	340	10964	3497	
O 404 O 404	09.1991 - 10.1999	280	381	12760	3497	3497
O 404 O 404	09.1994 - 10.1999	213	290	10964	3497	
O 404 O 404	09.1994 - 10.1999	280	381	14618	3497	
OF 1113	01.1983 -	96	131	5675	4091	
OF 1113	01.1983 -	96	131	5675	4322	4322
OF 1113	01.1983 -	96	131	5675	3664	3664
OF 1113	01.1983 -	100	137	3972	4091	
OF 1113	01.1983 -	100	137	3972	4322	4322
OF 1113	01.1983 -	100	137	3972	3664	3664
OF 1117	01.1983 -	125	170	5958	4091	
OF 1117	01.1983 -	125	170	5958	4322	4322
OF 1117	01.1983 -	125	170	5958	3664	3664
OF 1313, 1314	01.1983 -	96	131	5675	4091	
OF 1313, 1314	01.1983 -	96	131	5675	4322	4322
OF 1313, 1314	01.1983 -	96	131	5675	3664	3664
OF 1317	01.1983 -	125	170	7980	4091	
OF 1317	01.1983 -	125	170	7980	4322	4322
OF 1317	01.1983 -	125	170	7980	3664	3664
OF 1317	01.1983 -	125	170	8720	4091	
OF 1317	01.1983 -	125	170	8720	4322	4322
OF 1317	01.1983 -	125	170	8720	3664	3664
OF 1413	01.1983 -	96	131	5675	4091	
OF 1413	01.1983 -	96	131	5675	4322	4322
OF 1413	01.1983 -	96	131	5675	3664	3664
OF 1417	01.1983 -	125	170	7980	4091	
OF 1417	01.1983 -	125	170	7980	4322	4322
OF 1417	01.1983 -	125	170	7980	3664	3664
OF 1417	01.1983 -	125	170	8720	4091	
OF 1417	01.1983 -	125	170	8720	4322	4322
OF 1417	01.1983 -	125	170	8720	3664	3664
OF 1617	01.1983 -	125	170	8720	4091	
OF 1617	01.1983 -	125	170	8720	4322	4322
OF 1617	01.1983 -	125	170	8720	3664	3664
OF 1621	01.1983 -	154	210	8720	4091	
OF 1621	01.1983 -	154	210	8720	4322	4322
OF 1621	01.1983 -	154	210	8720	3664	3664
OH 1316	01.1970 -	115	156	5675	4091	
OH 1316	01.1970 -	115	156	5675	4322	4322
OH 1316	01.1970 -	115	156	5675	3664	3664
OH 1518	01.1970 -	130	177	4249	4091	
OH 1518	01.1970 -	130	177	4249	4322	4322
OH 1518	01.1970 -	130	177	4249	3664	3664
OH 1518, 1519	05.1999 -	142	193	4801	4091	
OH 1518, 1519	05.1999 -	142	193	4801	4322	4322
OH 1518, 1519	05.1999 -	142	193	4801	3664	3664
OH 1521	05.2007 -	160	218	4801	3664	3664
OH 1525	01.1970 -	180	245	6374	3664	3664
OH 1526	05.2007 -	188	256	7201	3664	3664
T2/L LA 911	01.1972 - 12.1995	81	110	5675	4091	
T2/L LA 911	01.1972 - 12.1995	96	131	5675	3789	3789
T2/L LA 911	01.1972 - 12.1995	96	131	5675	3789/1	3789/1
T2/L LA 911	01.1972 - 12.1995	124	168	5675	4091	
TOURINO (O 510) TOURINO	10.2003 -	180	245	6374	3789	3789
TOURINO (O 510) TOURINO	10.2003 -	180	245	6374	3789/1	3789/1
TOURINO (O 510) TOURINO	10.2003 -	205	279	6374	3789	3789
TOURINO (O 510) TOURINO	10.2003 -	205	279	6374	3789/1	3789/1
TOURINO (O 510) TOURINO	10.2003 -	210	286	7201	4091	
TOURINO (O 510) TOURINO	10.2003 -	210	286	7201	3789	3789
TOURINO (O 510) TOURINO	10.2003 -	210	286	7201	3789/1	3789/1
TOURISMO (O 350) Turismo	08.1995 -	280	381	12760	3497	
TOURISMO (O 350) Turismo	08.1995 -	280	381	12760	4091	

**MAKE & MODEL****YEAR****KW****PS****CC****MERCEDES-BENZ**

TOURISMO (O 350) Turismo	08.1995 -	280	381	14618	3497	
TOURISMO (O 350) Turismo	08.1995 -	280	381	14618	4091	
TOURISMO (O 350) Turismo 15 RHD	01.2003 -	185	252	11967	4091	
TOURISMO (O 350) Turismo 15 RHD	01.2003 -	185	252	11967	3664	3664
TOURISMO (O 350) Turismo 15 RHD	01.2003 -	220	299	11967	4091	
TOURISMO (O 350) Turismo 15 RHD	01.2003 -	220	299	11967	3664	3664
TOURISMO (O 350) Turismo 15 RHD	01.2003 -	260	354	11967	4091	
TOURISMO (O 350) Turismo 15 RHD	01.2003 -	260	354	11967	3664	3664
TOURISMO (O 350) Turismo 15 RHD	01.2003 -	300	408	11967	4091	
TOURISMO (O 350) Turismo 15 RHD	01.2003 -	300	408	11967	3664	3664
TOURISMO (O 350) Turismo 15 RHD	01.2003 -	335	456	11967	4091	
TOURISMO (O 350) Turismo 15 RHD	01.2003 -	335	456	11967	3664	3664
TOURISMO (O 350) Turismo 15 SHD	01.2003 -	260	354	11967	4091	
TOURISMO (O 350) Turismo 15 SHD	01.2003 -	260	354	11967	3664	3664
TOURISMO (O 350) Turismo 15 SHD	01.2003 -	310	422	11967	4091	
TOURISMO (O 350) Turismo 15 SHD	01.2003 -	310	422	11967	3664	3664
TOURISMO (O 350) Turismo 16 RHD	01.2003 -	220	299	11967	4091	
TOURISMO (O 350) Turismo 16 RHD	01.2003 -	220	299	11967	3664	3664
TOURISMO (O 350) Turismo 16 RHD	01.2003 -	260	354	11967	4091	
TOURISMO (O 350) Turismo 16 RHD	01.2003 -	260	354	11967	3664	3664
TOURISMO (O 350) Turismo 16 RHD	01.2003 -	310	422	11967	4091	
TOURISMO (O 350) Turismo 16 RHD	01.2003 -	310	422	11967	3664	3664
TOURISMO (O 350) Turismo 16 RHD	01.2003 -	315	428	11967	4091	
TOURISMO (O 350) Turismo 16 RHD	01.2003 -	315	428	11967	3664	3664
TOURISMO (O 350) Turismo 16 RHD	01.2003 -	335	456	11967	4091	
TOURISMO (O 350) Turismo 16 RHD	01.2003 -	335	456	11967	3664	3664
TOURISMO (O 350) Turismo 16 RHD	01.2003 -	350	476	15928	4091	
TOURISMO (O 350) Turismo 16 RHD	01.2003 -	350	476	15928	3664	3664
TOURISMO (O 350) Turismo 16 RHD	01.2003 -	370	503	15928	4091	
TOURISMO (O 350) Turismo 16 RHD	01.2003 -	370	503	15928	3664	3664
TOURISMO (O 350) Turismo 17 RHD	01.2003 -	260	354	11967	4091	
TOURISMO (O 350) Turismo 17 RHD	01.2003 -	260	354	11967	3664	3664
TOURISMO (O 350) Turismo 17 RHD	01.2003 -	310	422	11967	4091	
TOURISMO (O 350) Turismo 17 RHD	01.2003 -	310	422	11967	3664	3664
TOURISMO (O 350) Turismo 17 RHD	01.2003 -	315	428	11967	4091	
TOURISMO (O 350) Turismo 17 RHD	01.2003 -	315	428	11967	3664	3664
TOURISMO (O 350) Turismo 17 RHD	01.2003 -	320	435	15928	4091	
TOURISMO (O 350) Turismo 17 RHD	01.2003 -	320	435	15928	3664	3664
TOURISMO (O 350) Turismo 17 RHD	01.2003 -	335	456	11967	4091	
TOURISMO (O 350) Turismo 17 RHD	01.2003 -	335	456	11967	3664	3664
TOURISMO (O 350) Turismo 17 RHD	01.2003 -	350	476	15928	4091	
TOURISMO (O 350) Turismo 17 RHD	01.2003 -	350	476	15928	3664	3664
TOURISMO (O 350) Turismo 17 RHD	01.2003 -	370	503	15928	4091	
TOURISMO (O 350) Turismo 17 RHD	01.2003 -	370	503	15928	3664	3664
TOURISMO (O 350) Turismo RHD, SHD	08.1995 -	250	340	10964	4091	
TOURISMO (O 350) Turismo RHD, SHD	08.1995 -	250	340	10964	3497	3497
TOURISMO (O 350) Turismo RHD, SHD	08.1995 -	250	340	10964	3664	3664
TOURISMO (O 350) Turismo RHD, SHD	09.2003 -	260	354	11967	4091	
TOURISMO (O 350) Turismo RHD, SHD	09.2003 -	260	354	11967	3664	3664
TOURISMO (O 350) Turismo RHD, SHD	09.2003 -	310	422	11967	4091	
TOURISMO (O 350) Turismo RHD, SHD	09.2003 -	310	422	11967	3664	3664
TOURO (O 500) O 500 GL, GLE	01.2001 -	265	360	11967	4091	
TOURO (O 500) O 500 GL, GLE	01.2001 -	265	360	11967	4322	4322
TOURO (O 500) O 500 GL, GLE	01.2001 -	265	360	11967	3664	3664
TOURO (O 500) O 500 M	01.1996 -	188	256	7201	4091	
TOURO (O 500) O 500 M	01.1996 -	188	256	7201	4322	4322
TOURO (O 500) O 500 M	01.2001 -	180	245	6374	4091	
TOURO (O 500) O 500 M	01.2001 -	180	245	6374	4322	4322
TOURO (O 500) O 500 M	01.2001 -	180	245	6374	3664	3664
TOURO (O 500) O 500 M	01.2001 -	209	284	6374	4091	
TOURO (O 500) O 500 M	01.2001 -	209	284	6374	4322	4322
TOURO (O 500) O 500 R	01.2001 -	225	306	7201	4091	
TOURO (O 500) O 500 R	01.2001 -	225	306	7201	4322	4322
TOURO (O 500) O 500 R	01.2001 -	240	326	7201	4091	
TOURO (O 500) O 500 R	01.2001 -	240	326	7201	4322	4322
TOURO (O 500) O 500 R	01.2001 -	240	326	7201	3664	3664
TOURO (O 500) O 500 RSD	01.2001 -	265	360	11967	4091	

**MAKE & MODEL****YEAR****KW****PS****CC****MERCEDES-BENZ**

TOURO (O 500) O 500 RSD	01.2001 -	265	360	11967	4322	4322
TOURO (O 500) O 500 RSD	01.2001 -	265	360	11967	3664	3664
TOURO (O 500) O 500 RSD	01.2001 -	295	401	11967	4091	
TOURO (O 500) O 500 RSD	01.2001 -	295	401	11967	4322	4322
TOURO (O 500) O 500 RSD	01.2001 -	295	401	11967	3664	3664
TOURO (O 500) O 500 U	01.2001 -	180	245	6374	4091	
TOURO (O 500) O 500 U	01.2001 -	180	245	6374	4322	4322
TOURO (O 500) O 500 U	01.2001 -	188	256	7201	4091	
TOURO (O 500) O 500 U	01.2001 -	188	256	7201	4322	4322
TOURO (O 500) O 500 U	01.2001 -	225	306	7201	4091	
TOURO (O 500) O 500 U	01.2001 -	225	306	7201	4322	4322
TOURO (O 500) O 500 U	01.2001 -	225	306	7201	3664	3664
TRAVEGO (O 580) O 580-15 RH	10.1999 -	185	252	11967	4091	
TRAVEGO (O 580) O 580-15 RH	10.1999 -	320	435	15928	4091	
TRAVEGO (O 580) O 580-15 RH	10.1999 -	350	476	15928	4091	
TRAVEGO (O 580) O 580-15 RH/RHD	10.1999 -	260	354	11967	4091	
TRAVEGO (O 580) O 580-15 RH/RHD	10.1999 -	260	354	11967	3664	3664
TRAVEGO (O 580) O 580-15 RH/RHD	10.1999 -	300	408	11967	4091	
TRAVEGO (O 580) O 580-15 RH/RHD	10.1999 -	300	408	11967	3664	3664
TRAVEGO (O 580) O 580-15 RHD	10.1999 -	310	422	11967	4091	
TRAVEGO (O 580) O 580-15 RHD	10.1999 -	310	422	11967	3664	3664
TRAVEGO (O 580) O 580-15 RHD	10.1999 -	335	456	11967	4091	
TRAVEGO (O 580) O 580-15 SHD	10.1999 -	260	354	11967	4091	
TRAVEGO (O 580) O 580-16 RHD	01.2003 -	260	354	11967	4091	
TRAVEGO (O 580) O 580-16 RHD	01.2003 -	260	354	11967	3664	3664
TRAVEGO (O 580) O 580-16 RHD	01.2003 -	370	503	15928	4091	
TRAVEGO (O 580) O 580-16 RHD	10.1999 -	320	435	15928	4091	
TRAVEGO (O 580) O 580-16 RHD	10.1999 -	320	435	15928	3664	3664
TRAVEGO (O 580) O 580-16 RHD	10.1999 -	335	456	11967	4091	
TRAVEGO (O 580) O 580-16 RHD	10.1999 -	350	476	15928	4091	
TRAVEGO (O 580) O 580-16 RHD, O 580-17 RHD	10.1999 -	310	422	11967	4091	
TRAVEGO (O 580) O 580-16 RHD, O 580-17 RHD	10.1999 -	310	422	11967	3664	3664
TRAVEGO (O 580) O 580-17 RHD	10.1999 -	320	435	15928	4091	
TRAVEGO (O 580) O 580-17 RHD	10.1999 -	320	435	15928	3664	3664
TRAVEGO (O 580) O 580-17 RHD	10.1999 -	350	476	15928	4091	
TRAVEGO (O 580) O 580-17 RHD	10.1999 -	350	476	15928	3664	3664
UNIMOG U 400	03.2000 -	130	177	4249	4302	4302
UNIMOG U 400	03.2000 -	170	231	6374	4302	4302
UNIMOG U 4023	05.2013 -	170	231	5132	4302	4302
UNIMOG U 423	05.2013 -	170	231	5132	4302	4302
UNIMOG U 423 L	05.2013 -	170	231	5132	4302	4302
UNIMOG U 427, U 427 L	05.2013 -	200	272	7698	4302	4302
UNIMOG U 430, U 430 L	05.2013 -	220	299	7698	4302	4302
UNIMOG U 500, UGN NA	10.2000 -	170	231	6374	4302	4302
UNIMOG U 500, UGN NA	10.2000 -	205	279	6374	4302	4302
UNIMOG U 5000	01.2012 -	160	218	4801	4091	
UNIMOG U 5000	09.2002 -	160	218	4801	4091	
UNIMOG U 5000	11.2002 -	170	231	6374	4091	
UNIMOG U 5023	05.2013 -	170	231	5132	4302	4302
UNIMOG U 527, U 527 L	05.2013 -	200	272	7698	4302	4302
UNIMOG U 530, U 530 L	05.2013 -	220	299	7698	4302	4302
ZETROS 2733 A	09.2008 -	240	326	7201	4091	
<b>MERITOR</b>						
MERITOR - LM - LM	---	---	---	---	4131	4131
MERITOR - LMC - LMC	---	---	---	---	4131	4131
MERITOR - TAC - TAC	---	---	---	---	4131	4131
MERITOR - TM - TM	---	---	---	---	4131	4131
<b>NEOPLAN</b>						
Centroliner N 4411	05.2004 -	162	220	6871	4091	4091
Centroliner N 4411	10.1998 -	162	220	6871	4091	
Centroliner N 4411	10.1998 -	162	220	6871	3664	3664
Centroliner N 4411	10.1998 -	206	280	6871	4091	
Centroliner N 4411	10.1998 -	206	280	6871	3664	3664
Centroliner N 4416	01.1999 - 12.2001	191	260	6871	4091	
Centroliner N 4416	01.1999 - 12.2001	191	260	6871	3664	3664
Centroliner N 4416	01.1999 - 12.2001	191	260	11967	4091	

**MAKE & MODEL****YEAR****KW****PS****CC****NEOPLAN**

Centroliner N 4416	01.1999 - 12.2001	191	260	11967	3664	3664
Centroliner N 4416	01.1999 - 12.2001	228	310	11967	4091	
Centroliner N 4416	01.1999 - 12.2001	228	310	11967	3664	3664
Centroliner N 4416	10.1998 -	162	220	6871	4091	
Centroliner N 4416	10.1998 -	162	220	6871	3664	3664
Centroliner N 4420	01.1999 -	191	260	11967	4091	
Centroliner N 4420	01.1999 -	191	260	11967	3664	3664
Centroliner N 4420	01.1999 -	228	310	11967	4091	
Centroliner N 4420	01.1999 -	228	310	11967	3664	3664
Centroliner N 4420	01.1999 -	257	350	11967	4091	
Centroliner N 4420	01.1999 -	257	350	11967	3664	3664
Centroliner N 4421	01.1999 -	191	260	11967	4091	
Centroliner N 4421	01.1999 -	191	260	11967	3664	3664
Centroliner N 4421	01.1999 -	228	310	11967	4091	
Centroliner N 4421	01.1999 -	228	310	11967	3664	3664
Centroliner N 4421	01.1999 -	257	350	11967	4091	
Centroliner N 4421	01.1999 -	257	350	11967	3664	3664
Centroliner N 4516	10.1998 -	199	271	10518	4091	
Centroliner N 4516	10.1998 -	199	271	10518	3664	3664
Centroliner N 4516	10.1998 -	206	280	10518	4091	
Centroliner N 4516	10.1998 -	206	280	10518	3664	3664
Centroliner N 4516	10.1998 -	228	310	10518	4091	
Centroliner N 4516	10.1998 -	228	310	10518	3664	3664
Centroliner N 4516	10.1998 -	235	320	10518	4091	
Centroliner N 4516	10.1998 -	235	320	10518	3664	3664
Centroliner N 4516	10.1998 -	265	360	10518	4091	
Centroliner N 4516	10.1998 -	265	360	10518	3664	3664
Centroliner N 4522	05.2006 -	257	350	10518	4091	
Centroliner N 4522	05.2006 -	257	350	10518	3664	3664
Centroliner N 4522	10.1998 -	228	310	10518	4091	
Centroliner N 4522	10.1998 -	228	310	10518	3664	3664
Centroliner N 4522	10.1998 -	235	320	10518	4091	
Centroliner N 4522	10.1998 -	235	320	10518	3664	3664
Centroliner N 4522	10.1998 -	265	360	10518	4091	
Centroliner N 4522	10.1998 -	265	360	10518	3664	3664
Cityliner N 116	09.1990 -	228	310	11020	3664	
Cityliner N 116	09.1990 -	228	310	11020	4091	
Cityliner N 116	09.1990 -	272	370	11967	3664	
Cityliner N 116	09.1990 -	272	370	11967	4091	
Cityliner N 116	09.1990 - 09.1992	225	306	12763	3664	
Cityliner N 116	09.1990 - 09.1992	225	306	12763	4091	
Cityliner N 116	09.1990 - 09.1992	229	311	11967	3664	
Cityliner N 116	09.1990 - 09.1992	229	311	11967	4091	
Cityliner N 116	09.1990 - 09.1992	243	330	12763	3664	
Cityliner N 116	09.1990 - 09.1992	243	330	12763	4091	
Cityliner N 116	09.1990 - 09.1993	267	363	11020	3664	
Cityliner N 116	09.1990 - 09.1993	267	363	11020	4091	
Cityliner N 116	09.1992 -	268	364	11600	3664	
Cityliner N 116	09.1992 -	268	364	11600	4091	
Cityliner N 116	09.1992 -	280	381	11020	3664	
Cityliner N 116	09.1992 -	280	381	11020	4091	
Cityliner N 116	09.1992 -	295	401	11600	3664	
Cityliner N 116	09.1992 -	295	401	11600	4091	
Cityliner N 116	09.1992 -	309	420	11967	3664	
Cityliner N 116	09.1992 -	309	420	11967	4091	
Cityliner N 116/3 HC	09.2004 -	338	460	12816	3664	
Cityliner N 116/3 HC	09.2004 -	338	460	12816	4091	
Cityliner N 1216 HD	09.2006 -	294	400	10518	4091	
Cityliner N 1216 HD	09.2006 -	294	400	10518	3664	3664
Cityliner N 1216 HDC	09.2006 -	324	440	10518	4091	
Cityliner N 1216 HDC	09.2006 -	324	440	10518	3664	3664
Cityliner N 122/3	-	261	355	15950	4091	
Cityliner N 122/3	11.1991 -	243	330	14618	4091	
Euroliner N 3316 KL, N 3316 ÜL	-	265	360	11967	4091	
Euroliner N 3316 KL, N 3316 ÜL	-	265	360	11967	3664	3664
Euroliner N 3316 Ü, N 3316 K	-	301	410	11967	4091	
Euroliner N 3316 Ü, N 3316 K	-	301	410	11967	3664	3664



**MAKE & MODEL****YEAR****KW****PS****CC****NEOPLAN**

Euroliner N 3318/3 Ü	07.1997 - 04.2002	301	410	11967	4091	
Euroliner N 3318/3 Ü	07.1997 - 04.2002	301	410	11967	3664	3664
Jetliner N 208	09.1990 - 09.1993	169	230	6871	3664	
Jetliner N 208	09.1990 - 09.1993	169	230	6871	4091	
Jetliner N 208	09.1992 - 09.1993	140	190	6871	3664	
Jetliner N 208	09.1992 - 09.1993	140	190	6871	4091	
Jetliner N 213	09.1990 - 09.1992	225	306	12763	3664	
Jetliner N 213	09.1990 - 09.1992	225	306	12763	4091	
Jetliner N 213	09.1990 - 09.1992	243	330	12763	3664	
Jetliner N 213	09.1990 - 09.1992	243	330	12763	4091	
Jetliner N 214, N 216	09.1990 - 09.1992	225	306	12763	3664	
Jetliner N 214, N 216	09.1990 - 09.1992	225	306	12763	4091	
Jetliner N 214, N 216	09.1990 - 09.1992	229	311	11967	3664	
Jetliner N 214, N 216	09.1990 - 09.1992	229	311	11967	4091	
Jetliner N 214, N 216	09.1990 - 09.1992	243	330	12763	3664	
Jetliner N 214, N 216	09.1990 - 09.1992	243	330	12763	4091	
Jetliner N 214, N 216	09.1990 - 09.1992	267	363	11020	3664	
Jetliner N 214, N 216	09.1990 - 09.1992	267	363	11020	4091	
Jetliner N 214, N 216	09.1990 - 09.1993	228	310	11020	3664	
Jetliner N 214, N 216	09.1990 - 09.1993	228	310	11020	4091	
Jetliner N 214, N 216	09.1990 - 09.1993	272	370	11967	3664	
Jetliner N 214, N 216	09.1990 - 09.1993	272	370	11967	4091	
Jetliner N 214, N 216	09.1990 - 09.1993	309	420	11967	3664	
Jetliner N 214, N 216	09.1990 - 09.1993	309	420	11967	4091	
Jetliner N 214, N 216	09.1992 - 09.1993	268	364	11627	3664	
Jetliner N 214, N 216	09.1992 - 09.1993	268	364	11627	4091	
Jetliner N 214, N 216	09.1992 - 09.1993	280	381	11020	3664	
Jetliner N 214, N 216	09.1992 - 09.1993	280	381	11020	4091	
Jetliner N 214, N 216	09.1992 - 09.1993	295	401	11627	3664	
Jetliner N 214, N 216	09.1992 - 09.1993	295	401	11627	4091	
Jetliner N 216	09.1990 - 09.1992	243	330	12763	3664	
Jetliner N 216	09.1990 - 09.1992	243	330	12763	4091	
Jetliner N 216	09.1990 - 09.1993	184	250	14618	4091	
Jetliner N 216	09.1990 - 09.1993	206	280	14618	4091	
Megaliner N 128/4	01.1993 -	370	503	14618	4091	
Megaliner N 128/4	01.1993 -	370	503	14618	3664	3664
Megashuttle N 4032/4	01.1994 -	235	320	9973	4091	
Megashuttle N 4032/4	01.1994 -	235	320	9973	3664	3664
Skyliner N 122	09.1990 - 09.1992	225	306	12763	4091	
Skyliner N 122	09.1990 - 09.1992	225	306	12763	3664	3664
Skyliner N 122	09.1990 - 09.1992	228	310	11020	4091	
Skyliner N 122	09.1990 - 09.1992	228	310	11020	3664	3664
Skyliner N 122	09.1990 - 09.1992	229	311	11967	4091	
Skyliner N 122	09.1990 - 09.1992	229	311	11967	3664	3664
Skyliner N 122	09.1990 - 09.1992	243	330	12763	4091	
Skyliner N 122	09.1990 - 09.1992	243	330	12763	3664	3664
Skyliner N 122	09.1990 - 09.1992	267	363	11020	4091	
Skyliner N 122	09.1990 - 09.1992	267	363	11020	3664	3664
Skyliner N 122	09.1990 - 09.1992	309	420	11967	4091	
Skyliner N 122	09.1990 - 09.1992	309	420	11967	3664	3664
Skyliner N 122	09.1990 - 09.1993	274	373	11967	4091	
Skyliner N 122	09.1990 - 09.1993	274	373	11967	3664	3664
Skyliner N 122/3	09.1990 -	243	330	14618	4091	
Skyliner N 122/3	09.1990 -	272	370	11967	3664	
Skyliner N 122/3	09.1990 -	272	370	11967	4091	
Skyliner N 122/3	09.1990 -	309	420	11967	3664	
Skyliner N 122/3	09.1990 -	309	420	11967	4091	
Skyliner N 122/3	09.1990 - 09.1993	267	363	11020	4091	
Skyliner N 122/3	09.1990 - 09.1993	267	363	11020	3664	3664
Skyliner N 122/3	09.1992 -	268	364	11627	3664	
Skyliner N 122/3	09.1992 -	268	364	11627	4091	
Skyliner N 122/3	09.1992 -	280	381	11020	3664	
Skyliner N 122/3	09.1992 -	280	381	11020	4091	
Skyliner N 122/3	09.1992 -	295	401	11627	3664	
Skyliner N 122/3	09.1992 -	295	401	11627	4091	
Skyliner N 122/3 L	09.2004 -	390	530	12816	3664	
Skyliner N 122/3 L	09.2004 -	390	530	12816	4091	



**MAKE & MODEL****YEAR****KW****PS****CC****NEOPLAN**

Spaceliner N 117	09.1990 -	228	310	11020	3664	
Spaceliner N 117	09.1990 -	228	310	11020	4091	
Spaceliner N 117	09.1990 -	272	370	11967	3664	
Spaceliner N 117	09.1990 -	272	370	11967	4091	
Spaceliner N 117	09.1990 -	309	420	11967	3664	
Spaceliner N 117	09.1990 -	309	420	11967	4091	
Spaceliner N 117	09.1990 - 09.1992	225	306	12763	3664	
Spaceliner N 117	09.1990 - 09.1992	225	306	12763	4091	
Spaceliner N 117	09.1990 - 09.1992	243	330	12763	3664	
Spaceliner N 117	09.1990 - 09.1992	243	330	12763	4091	
Spaceliner N 117	09.1990 - 09.1993	267	363	11020	4091	
Spaceliner N 117	09.1990 - 09.1993	267	363	11020	3664	3664
Spaceliner N 117	09.1992 -	268	364	11600	3664	
Spaceliner N 117	09.1992 -	268	364	11600	4091	
Spaceliner N 117	09.1992 -	280	381	11020	3664	
Spaceliner N 117	09.1992 -	280	381	11020	4091	
Spaceliner N 117	09.1992 -	295	401	11600	3664	
Spaceliner N 117	09.1992 -	295	401	11600	4091	
Spaceliner N 117/3	09.1990 - 09.1993	267	363	11020	3664	
Spaceliner N 117/3	09.1990 - 09.1993	267	363	11020	4091	
Spaceliner N 117/3	09.1992 -	268	364	11600	3664	
Spaceliner N 117/3	09.1992 -	268	364	11600	4091	
Spaceliner N 117/3	09.1992 -	272	370	11967	3664	
Spaceliner N 117/3	09.1992 -	272	370	11967	4091	
Spaceliner N 117/3	09.1992 -	280	381	11020	3664	
Spaceliner N 117/3	09.1992 -	280	381	11020	4091	
Spaceliner N 117/3	09.1992 -	295	401	11600	3664	
Spaceliner N 117/3	09.1992 -	295	401	11600	4091	
Spaceliner N 117/3	09.1992 -	309	420	11967	3664	
Spaceliner N 117/3	09.1992 -	309	420	11967	4091	
Sportliner N 208	01.1990 -	162	220	6871	4091	
Sportliner N 208	01.1990 -	162	220	6871	3664	3664
Starliner N 2216 SHD	01.2002 -	228	310	11967	4091	
Starliner N 2216 SHD	01.2002 -	265	360	11967	4091	
Starliner N 2216 SHD	01.2002 -	301	409	11967	4091	
Starliner N 2216 SHD	01.2002 -	338	460	12816	4091	
Starliner N 516	09.1996 -	280	381	14618	4091	
Starliner N 516	09.1996 -	280	381	14618	3664	3664
Starliner N 516	09.1996 -	294	400	11967	4091	
Starliner N 516	09.1996 -	294	400	11967	3664	3664
Starliner N 516	09.1996 -	338	460	12816	4091	
Starliner N 516	09.1996 -	338	460	12816	3664	3664
Starliner N 516	09.1996 -	350	476	15928	4091	
Starliner N 516	09.2002 -	301	410	11967	4091	
Starliner N 516	09.2002 -	301	410	11967	3664	3664
Starliner N 516/3	05.2004 -	301	410	11967	4091	4091
Starliner N 516/3	09.1996 -	280	381	14618	4091	
Starliner N 516/3	09.1996 -	280	381	14618	3664	3664
Starliner N 516/3	09.1996 -	294	400	11967	4091	
Starliner N 516/3	09.1996 -	294	400	11967	3664	3664
Starliner N 516/3	09.1996 -	338	460	12816	4091	
Starliner N 516/3	09.1996 -	338	460	12816	3664	3664
Starliner N 516/3	09.2002 -	301	410	11967	4091	
Starliner N 516/3	09.2002 -	301	410	11967	3664	3664
Starliner N 5218 SHD	05.2005 -	353	480	12816	4091	
Starliner N 5218 SHD	05.2005 -	353	480	12816	3664	3664
Starliner N 5218 SHD	05.2005 -	390	530	12816	4091	
Starliner N 5218 SHD	05.2005 -	390	530	12816	3664	3664
Tourliner N 2216 SHD	01.2003 -	301	410	11967	4091	
Tourliner N 2216 SHD	01.2003 -	301	410	11967	3664	3664
Tourliner N 2216 SHD	01.2003 -	338	460	12816	4091	
Tourliner N 2216 SHD	01.2003 -	338	460	12816	3664	3664
Tourliner N 2216 SHD	06.2006 -	294	400	10518	4091	
Tourliner N 2216 SHD	06.2006 -	294	400	10518	3664	3664
Tourliner N 2216 SHD	06.2006 -	324	440	10518	4091	
Tourliner N 2216 SHD	06.2006 -	324	440	10518	3664	3664
Tourliner N 2216 SHDL	01.2003 -	301	410	11967	4091	

**MAKE & MODEL****YEAR****KW****PS****CC****NEOPLAN**

Tourliner N 2216 SHDL	01.2003 -	301	410	11967	3664	3664
Tourliner N 2216 SHDL	01.2003 -	338	460	12816	4091	
Tourliner N 2216 SHDL	01.2003 -	338	460	12816	3664	3664
Tourliner N 2216 SHDL	06.2006 -	324	440	10518	4091	
Tourliner N 2216 SHDL	06.2006 -	324	440	10518	3664	3664
Transliner N 314, N 316	09.1993 -	198	270	9973	3664	
Transliner N 314, N 316	09.1993 -	198	270	9973	4091	
Transliner N 314, N 316	09.1993 -	235	320	11020	3664	
Transliner N 314, N 316	09.1993 -	235	320	11020	4091	
Transliner N 316	09.1990 - 09.1992	225	306	12763	3664	
Transliner N 316	09.1990 - 09.1992	225	306	12763	4091	
Transliner N 316	09.1990 - 09.1992	243	330	12763	3664	
Transliner N 316	09.1990 - 09.1992	243	330	12763	4091	
Transliner N 316	09.1990 - 09.1992	267	363	11020	3664	
Transliner N 316	09.1990 - 09.1992	267	363	11020	4091	
Transliner N 316	09.1990 - 09.1993	185	252	11967	3664	
Transliner N 316	09.1990 - 09.1993	185	252	11967	4091	
Transliner N 316	09.1990 - 09.1993	229	311	11967	3664	
Transliner N 316	09.1990 - 09.1993	229	311	11967	4091	
Transliner N 316	09.1992 -	268	364	11627	3664	
Transliner N 316	09.1992 -	268	364	11627	4091	
Transliner N 316	09.1992 -	272	370	11967	3664	
Transliner N 316	09.1992 -	272	370	11967	4091	
Transliner N 316	09.1992 -	280	381	11020	3664	
Transliner N 316	09.1992 -	280	381	11020	4091	
Transliner N 316	09.1992 -	295	401	11627	3664	
Transliner N 316	09.1992 -	295	401	11627	4091	
Transliner N 316	09.1992 -	309	420	11967	3664	
Transliner N 316	09.1992 -	309	420	11967	4091	
Transliner N 316	09.1993 -	235	320	9973	3664	
Transliner N 316	09.1993 -	235	320	9973	4091	
Transliner N 316	12.1988 -	141	192	9570	4091	
Transliner N 316	12.1988 -	195	265	15078	4091	
Transliner N 316	12.1988 -	213	290	15078	4091	
Transliner N 316	12.1988 -	230	313	10964	4091	
Transliner N 316	12.1988 -	250	340	10964	4091	
Transliner N 316	12.1988 -	250	340	14618	4091	
Transliner N 321/3	09.1990 - 09.1992	225	306	12763	3664	
Transliner N 321/3	09.1990 - 09.1992	225	306	12763	4091	
Transliner N 321/3	09.1990 - 09.1992	243	330	12763	3664	
Transliner N 321/3	09.1990 - 09.1992	243	330	12763	4091	
Transliner N 321/3	09.1993 -	198	270	9973	3664	
Transliner N 321/3	09.1993 -	198	270	9973	4091	
Transliner N 321/3	09.1993 -	235	320	9973	3664	
Transliner N 321/3	09.1993 -	235	320	9973	4091	
Transliner N 321/3	09.1993 -	235	320	11020	3664	
Transliner N 321/3	09.1993 -	235	320	11020	4091	
Trendliner N 3516 Ü	09.2004 -	228	310	11967	4091	
Trendliner N 3516 Ü	09.2004 -	228	310	11967	3664	3664
Trendliner N 3516 Ü	09.2004 -	265	360	11967	4091	
Trendliner N 3516 Ü	09.2004 -	265	360	11967	3664	3664
Trendliner N 3516 Ü	09.2004 -	301	410	11967		3664
Trendliner N 3516 Ü	09.2004 -	301	410	11967	4091	
Trendliner N 3516 Ü	09.2004 -	301	410	11967	3664	3664
Trendliner N 3516/3 ÜL	09.2004 -	301	410	11967	4091	
Trendliner N 3516/3 ÜL	09.2004 -	301	410	11967	3664	3664

**NISSAN**

ECO-T 100.45	01.1997 - 12.2000	80	109	2953	3837	3837
ECO-T 100.56	01.1997 - 12.2000	80	109	2953	3837	3837
ECO-T 135.60	01.1997 - 12.2000	100	136	3990	3837	3837
ECO-T 135.70	01.1997 - 12.2000	100	136	3990	3837	3837
ECO-T 135.75	01.1997 - 12.2000	100	136	3990	3837	3837
ECO-T 135.80	01.1997 - 12.2000	100	136	3990	3837	3837
ECO-T 160.75	01.1997 - 12.2000	118	160	5985	3837	3837
ECO-T 160.90	01.1997 - 12.2000	118	160	5985	3837	3837
NT500 75.18, 75.18 MTA	05.2013 -	130	177	2953	3908	3908

**MAKE & MODEL****YEAR****KW****PS****CC****OPTARE**

OLYMPUS OLYMPUS	11.2006 -	191	260	9364	4091	4091
OLYMPUS OLYMPUS	11.2006 -	191	260	9364	3664	3664
OLYMPUS OLYMPUS	11.2006 -	228	310	9364	4091	4091
OLYMPUS OLYMPUS	11.2006 -	228	310	9364	3664	3664
OLYMPUS RSF	03.2009 -	193	262	9364	4091	4091

**PLAXTON**

ELITE ELITE	01.2009 -	309	420	12100	3845	
PANTHER PANTHER	01.2006 -	265	360	10518	3845	
PANTHER PANTHER	01.2006 -	294	400	10518	3845	

**RENAULT TRUCKS**

AGORA Agora	01.1996 -	186	253	9840	3497	
AGORA Agora	01.1996 -	186	253	9840	3498	
AGORA Agora	01.1996 -	186	253	9840	3828	3828
ARES Ares	04.1998 - 12.2003	250	340	9839	4091	
ARES Ares	04.1998 - 12.2003	250	340	9839	3828	3828
ARES Ares	10.2001 - 12.2003	222	302	9839	4091	
ARES Ares	10.2001 - 12.2003	222	302	9839	3828	3828
C 250P	01.2013 -	184	250	7698	3917	3917
C 250P, 250PK	01.2013 -	184	250	7698	3917	3917
C 280 P	01.2013 -	206	280	7698	3917	3917
C 280P	01.2013 -	206	280	7698	3917	3917
C 280P, 280PK	01.2013 -	206	280	7698	3917	3917
C 320P	01.2013 -	235	320	7698	3917	3917
C 320P, 320PK	01.2013 -	235	320	7698	3917	3917
C 380P	01.2013 -	279	379	10837	3917	3917
C 380P, 380PK	01.2013 -	279	379	10837	3917	3917
C 380P, 380PK, 380P XLOAD	01.2013 -	279	379	10837	3917	3917
C 380T	01.2013 -	280	380	10837	3917	3917
C 380T, 380TK	01.2013 -	279	379	10837	3917	3917
C 430P	01.2013 -	316	430	10837	3917	3917
C 430P, 430PK	01.2013 -	316	430	10837	3917	3917
C 430P, 430PK, 430P XLOAD	01.2013 -	316	430	10837	3917	3917
C 430T	01.2013 -	316	430	10837	3917	3917
C 430T, 430TK	01.2013 -	316	430	10837	3917	3917
C 440P	01.2013 -	323	439	12777	3917	3917
C 440P, 440PK	01.2013 -	323	439	12777	3917	3917
C 440T, 440TK	01.2013 -	323	439	12777	3917	3917
C 460P	01.2013 -	338	460	10837	3917	3917
C 460P, 460PK	01.2013 -	338	460	10837	3917	3917
C 460P, 460PK, 460P XLOAD	01.2013 -	338	460	10837	3917	3917
C 460T, 460TK	01.2013 -	338	460	10837	3917	3917
C 480P	01.2013 -	353	480	12777	3917	3917
C 480P, 480PK	01.2013 -	353	480	12777	3917	3917
C 480T, 480TK	01.2013 -	353	480	12777	3917	3917
C 520P	01.2013 -	382	520	12777	3917	3917
C 520P, 520PK	01.2013 -	382	520	12777	3917	3917
C 520T, 520TK	01.2013 -	382	520	12777	3917	3917
C CBH 280.26	04.1986 - 10.1992	208	283	12024	3497	
D 12 KP 250	01.2013 -	184	250	7698	3917	3917
D 12 KP 250	01.2013 -	184	250	7698	4047	4047
D 12 KP 280	01.2013 -	206	280	7698	4047	4047
D 12 P 210	01.2013 -	154	209	5132	3917	3917
D 12 P 210	01.2013 -	154	209	5132	4290	4290
D 12 P 240	01.2013 -	176	239	5132	4290	4290
D 12 P 250	01.2013 -	184	250	7698	4290	4290
D 12 P 280	01.2013 -	206	280	7698	4290	4290
D 13 P 210, 13 KP 210	01.2013 -	154	209	5132	4047	4047
D 13 P 240, 13 KP 240	01.2013 -	176	239	5132	4047	4047
D 13 P 250, 13 KP 250	01.2013 -	184	250	7698	4047	4047
D 13 P 280, 13 KP 280	01.2013 -	206	280	7698	4047	4047
D 14 KP 250	01.2013 -	184	250	7698	3917	3917
D 14 KP 250	01.2013 -	184	250	7698	4047	4047
D 14 P 210, 14 KP 210	01.2013 -	154	209	5132	4047	4047
D 14 P 240, 14 KP 240	01.2013 -	176	239	5132	4047	4047
D 14 P 250	01.2013 -	184	250	7698	3917	3917
D 14 P 250	01.2013 -	184	250	7698	4047	4047

**MAKE & MODEL****YEAR****KW****PS****CC****RENAULT TRUCKS**

D 14 P 250, 14 KP 250	01.2013 -	184	250	7698	4047	4047
D 14 P 280, 14 KP 280	01.2013 -	206	280	7698	3917	3917
D 14 P 280, 14 KP 280	01.2013 -	206	280	7698	4047	4047
D 16 KP 250	01.2013 -	184	250	7698	3917	3917
D 16 KP 250	01.2013 -	184	250	7698	4047	4047
D 16 KP 280	01.2013 -	206	280	7698	3917	3917
D 16 KP 280	01.2013 -	206	280	7698	4047	4047
D 16 P 210, 16 KP 210	01.2013 -	154	209	5132	4047	4047
D 16 P 240, 16 KP 240	01.2013 -	176	239	5132	4047	4047
D 16 P 250	01.2013 -	184	250	7698	3917	3917
D 16 P 250	01.2013 -	184	250	7698	4047	4047
D 16 P 250, 16 KP 250	01.2013 -	184	250	7698	4047	4047
D 16 P 280, 16 KP 280	01.2013 -	206	280	7698	4047	4047
D 18 P 250	01.2013 -	184	250	7698	4047	4047
D 18 P 250, 18 KP 250	01.2013 -	184	250	7698	4047	4047
D 18 P 280	01.2013 -	206	280	7698	4047	4047
D 18 P 280, 18 KP 280	01.2013 -	206	280	7698	4047	4047
D 18 P 320	01.2013 -	235	320	7698	4047	4047
D 18 P 380	01.2013 -	279	379	10837	3917	3917
D 18 P 380	01.2013 -	279	379	10837	4047	4047
D 18 P 430	01.2013 -	316	430	10837	3917	3917
D 18 P 430	01.2013 -	316	430	10837	4047	4047
D 18 T 280	01.2013 -	206	280	7698	4047	4047
D 18 T 320	01.2013 -	235	320	7698	4047	4047
D 18 T 380	01.2013 -	279	379	10837	3917	3917
D 18 T 380	01.2013 -	279	379	10837	4047	4047
D 18 T 430	01.2013 -	316	430	10837	3917	3917
D 18 T 430	01.2013 -	316	430	10837	4047	4047
D 25 P 250	01.2013 -	184	250	7698	4047	4047
D 25 P 280	01.2013 -	206	280	7698	4047	4047
D 25 P 320	01.2013 -	235	320	7698	4047	4047
D 26 P 250	01.2013 -	184	250	7698	4047	4047
D 26 P 250, 26 KP 250	01.2013 -	184	250	7698	4047	4047
D 26 P 280	01.2013 -	206	280	7698	4047	4047
D 26 P 280, 26 KP 280	01.2013 -	206	280	7698	4047	4047
D 26 P 320	01.2013 -	235	320	7698	4047	4047
D 26 P 320, 26 KP 320	01.2013 -	235	320	7698	4047	4047
D 7.5 P 180	01.2016 -	130	177	2953	3917	3917
D 7.5 P 180	01.2016 -	130	177	2953	4047	4047
FR1 FR1	01.1983 -	202	275	9839	3707	
FR1 FR1	01.1983 -	222	302	9839	3707	
FR1 FR1	01.1983 -	250	340	9839	3707	
G G 200.17	05.1990 - 09.1991	137	186	6180	3498	
G G 200.18	05.1990 - 09.1991	137	186	6180	3498	
G G 220.19 BOM	03.1991 - 09.1991	161	219	9840	3498	
G G 230.17	01.1985 - 05.1990	169	230	8821	3498	
G G 230.19	01.1985 - 05.1990	169	230	8821	3498	
ILIADE FRH, GTX, GTXE, RTX, TX	01.1997 -	280	381	11100	3498	
ILIADE FRH, GTX, GTXE, RTX, TX	01.1997 -	280	381	11100	3828	3828
ILIADE GT, GTC, GTE	04.1998 -	250	340	9839	3497	
ILIADE GT, GTC, GTE	04.1998 -	250	340	9839	3498	
ILIADE GT, GTC, GTE	04.1998 -	250	340	9839	3828	3828
K 380P MEDIUM, 380P HEAVY	01.2013 -	279	379	10837	3917	3917
K 380P MEDIUM, 380P HEAVY, 380P XTREM	01.2013 -	279	379	10837	3917	3917
K 380T MEDIUM, 380T HEAVY	01.2013 -	279	379	10837	3917	3917
K 430P MEDIUM, 430P HEAVY	01.2013 -	316	430	10837	3917	3917
K 430P MEDIUM, 430P HEAVY, 430P XTREM	01.2013 -	316	430	10837	3917	3917
K 430T MEDIUM, 430T HEAVY	01.2013 -	316	430	10837	3917	3917
K 440P MEDIUM, 440P HEAVY	01.2013 -	323	439	12777	3917	3917
K 440P MEDIUM, 440P HEAVY, 440P XTREM	01.2013 -	323	439	12777	3917	3917
K 440T MEDIUM, 440T HEAVY	01.2013 -	323	439	12777	3917	3917
K 460P MEDIUM, 460P HEAVY	01.2013 -	338	460	10837	3917	3917
K 460P MEDIUM, 460P HEAVY, 480P XTREM	01.2013 -	338	460	10837	3917	3917
K 460T MEDIUM, 460T HEAVY	01.2013 -	338	460	10837	3917	3917
K 480P MEDIUM, 480P HEAVY	01.2013 -	353	480	12777	3917	3917
K 480P MEDIUM, 480P HEAVY, 480P XTREM	01.2013 -	353	480	12777	3917	3917
K 480T MEDIUM, 480T HEAVY	01.2013 -	353	480	12777	3917	3917

**MAKE & MODEL****YEAR****KW****PS****CC****RENAULT TRUCKS**

K 520P MEDIUM, 520P HEAVY	01.2013 -	382	520	12777	3917	3917
K 520P MEDIUM, 520P HEAVY, 520P XTREM	01.2013 -	382	520	12777	3917	3917
K 520T MEDIUM, 520T HEAVY	01.2013 -	382	520	12777	3917	3917
MAGNUM AE 385ti.18	02.1992 - 10.1996	283	385	12024	3497	
MAGNUM AE 385ti.18	02.1992 - 10.1996	283	385	12024	3498	
MAGNUM AE 385ti.18	02.1992 - 10.1996	283	385	12024	3770	
MAGNUM AE 385ti.18T	02.1992 - 10.1996	283	385	12024	3497	
MAGNUM AE 385ti.18T	02.1992 - 10.1996	283	385	12024	3498	
MAGNUM AE 385ti.18T	02.1992 - 10.1996	283	385	12024	3770	
MAGNUM AE 385ti.19	02.1992 - 10.1996	283	385	12024	3497	
MAGNUM AE 385ti.19	02.1992 - 10.1996	283	385	12024	3498	
MAGNUM AE 385ti.19	02.1992 - 10.1996	283	385	12024	3770	
MAGNUM AE 385ti.19T	02.1992 - 10.1996	283	385	12024	3497	
MAGNUM AE 385ti.19T	02.1992 - 10.1996	283	385	12024	3498	
MAGNUM AE 385ti.19T	02.1992 - 10.1996	283	385	12024	3770	
MAGNUM AE 385ti.24	02.1992 - 10.1996	283	385	12024	3497	
MAGNUM AE 385ti.24	02.1992 - 10.1996	283	385	12024	3498	
MAGNUM AE 385ti.24	02.1992 - 10.1996	283	385	12024	3770	
MAGNUM AE 385ti.26	02.1992 - 10.1996	283	385	12024	3497	
MAGNUM AE 385ti.26	02.1992 - 10.1996	283	385	12024	3498	
MAGNUM AE 385ti.26	02.1992 - 10.1996	283	385	12024	3770	
MAGNUM AE 390.18	09.1996 -	287	390	12000	3497	
MAGNUM AE 390.18	09.1996 -	287	390	12000	3498	
MAGNUM AE 390.18	09.1996 -	287	390	12000	3770	
MAGNUM AE 390.18	09.1996 -	287	390	12000	3828	
MAGNUM AE 390.18T	09.1996 -	287	390	12000	3497	
MAGNUM AE 390.18T	09.1996 -	287	390	12000	3498	
MAGNUM AE 390.18T	09.1996 -	287	390	12000	3770	
MAGNUM AE 390.18T	09.1996 -	287	390	12000	3828	
MAGNUM AE 390.19	09.1996 -	287	390	12000	3497	
MAGNUM AE 390.19	09.1996 -	287	390	12000	3498	
MAGNUM AE 390.19	09.1996 -	287	390	12000	3770	
MAGNUM AE 390.19	09.1996 -	287	390	12000	3828	
MAGNUM AE 390.19T	09.1996 -	287	390	12000	3497	
MAGNUM AE 390.19T	09.1996 -	287	390	12000	3498	
MAGNUM AE 390.19T	09.1996 -	287	390	12000	3770	
MAGNUM AE 390.19T	09.1996 -	287	390	12000	3828	
MAGNUM AE 390.26	09.1996 -	287	390	12000	3497	
MAGNUM AE 390.26	09.1996 -	287	390	12000	3498	
MAGNUM AE 390.26	09.1996 -	287	390	12000	3770	
MAGNUM AE 390.26	09.1996 -	287	390	12000	3828	
MAGNUM AE 420ti.18	10.1992 - 12.1996	305	415	12024	3497	
MAGNUM AE 420ti.18	10.1992 - 12.1996	305	415	12024	3498	
MAGNUM AE 420ti.18	10.1992 - 12.1996	305	415	12024	3770	
MAGNUM AE 420ti.18T	10.1992 - 12.1996	305	415	12024	3497	
MAGNUM AE 420ti.18T	10.1992 - 12.1996	305	415	12024	3498	
MAGNUM AE 420ti.18T	10.1992 - 12.1996	305	415	12024	3770	
MAGNUM AE 420ti.19	10.1992 - 12.1996	305	415	12024	3497	
MAGNUM AE 420ti.19	10.1992 - 12.1996	305	415	12024	3498	
MAGNUM AE 420ti.19	10.1992 - 12.1996	305	415	12024	3770	
MAGNUM AE 420ti.19T	10.1992 - 12.1996	305	415	12024	3497	
MAGNUM AE 420ti.19T	10.1992 - 12.1996	305	415	12024	3498	
MAGNUM AE 420ti.19T	10.1992 - 12.1996	305	415	12024	3770	
MAGNUM AE 420ti.22T	10.1992 - 10.1996	305	415	12024	3497	
MAGNUM AE 420ti.22T	10.1992 - 10.1996	305	415	12024	3498	
MAGNUM AE 420ti.22T	10.1992 - 10.1996	305	415	12024	3770	
MAGNUM AE 420ti.24	10.1992 - 12.1996	305	415	12024	3497	
MAGNUM AE 420ti.24	10.1992 - 12.1996	305	415	12024	3498	
MAGNUM AE 420ti.24	10.1992 - 12.1996	305	415	12024	3770	
MAGNUM AE 420ti.24T	10.1992 - 12.1996	305	415	12024	3497	
MAGNUM AE 420ti.24T	10.1992 - 12.1996	305	415	12024	3498	
MAGNUM AE 420ti.24T	10.1992 - 12.1996	305	415	12024	3770	
MAGNUM AE 420ti.26	10.1992 - 12.1996	305	415	12024	3497	
MAGNUM AE 420ti.26	10.1992 - 12.1996	305	415	12024	3498	
MAGNUM AE 420ti.26	10.1992 - 12.1996	305	415	12024	3770	
MAGNUM AE 420ti.26T	10.1992 - 12.1996	305	415	12024	3497	
MAGNUM AE 420ti.26T	10.1992 - 12.1996	305	415	12024	3498	

**MAKE & MODEL****YEAR****KW****PS****CC****RENAULT TRUCKS**

MAGNUM AE 420ti.26T	10.1992 - 12.1996	305	415	12024	3770
MAGNUM AE 430.18	09.1996 -	316	430	12000	3497
MAGNUM AE 430.18	09.1996 -	316	430	12000	3498
MAGNUM AE 430.18	09.1996 -	316	430	12000	3770
MAGNUM AE 430.18	09.1996 -	316	430	12000	3828
MAGNUM AE 430.18T	09.1996 -	316	430	12000	3497
MAGNUM AE 430.18T	09.1996 -	316	430	12000	3498
MAGNUM AE 430.18T	09.1996 -	316	430	12000	3770
MAGNUM AE 430.18T	09.1996 -	316	430	12000	3828
MAGNUM AE 430.19	09.1996 -	316	430	12000	3497
MAGNUM AE 430.19	09.1996 -	316	430	12000	3498
MAGNUM AE 430.19	09.1996 -	316	430	12000	3770
MAGNUM AE 430.19	09.1996 -	316	430	12000	3828
MAGNUM AE 430.19T	09.1996 -	316	430	12000	3497
MAGNUM AE 430.19T	09.1996 -	316	430	12000	3498
MAGNUM AE 430.19T	09.1996 -	316	430	12000	3770
MAGNUM AE 430.19T	09.1996 -	316	430	12000	3828
MAGNUM AE 430.26	09.1996 -	316	430	12779	3497
MAGNUM AE 430.26	09.1996 -	316	430	12779	3498
MAGNUM AE 430.26	09.1996 -	316	430	12779	3770
MAGNUM AE 430.26	09.1996 -	316	430	12779	3828
MAGNUM AE 430.26T	01.1997 -	316	430	12000	3497
MAGNUM AE 430.26T	01.1997 -	316	430	12000	3498
MAGNUM AE 430.26T	01.1997 -	316	430	12000	3770
MAGNUM AE 430.26T	01.1997 -	316	430	12000	3828
MAGNUM AE 430.26T	01.1998 -	316	430	12000	3497
MAGNUM AE 430.26T	01.1998 -	316	430	12000	3498
MAGNUM AE 430.26T	01.1998 -	316	430	12000	3770
MAGNUM AE 430.26T	01.1998 -	316	430	12000	3828
MAGNUM AE 470.18	11.1996 -	346	471	12000	3497
MAGNUM AE 470.18	11.1996 -	346	471	12000	3498
MAGNUM AE 470.18	11.1996 -	346	471	12000	3770
MAGNUM AE 470.18	11.1996 -	346	471	12000	3828
MAGNUM AE 470.18T	11.1996 -	346	471	12000	3497
MAGNUM AE 470.18T	11.1996 -	346	471	12000	3498
MAGNUM AE 470.18T	11.1996 -	346	471	12000	3770
MAGNUM AE 470.18T	11.1996 -	346	471	12000	3828
MAGNUM AE 470.19	11.1996 -	346	471	12000	3497
MAGNUM AE 470.19	11.1996 -	346	471	12000	3498
MAGNUM AE 470.19	11.1996 -	346	471	12000	3770
MAGNUM AE 470.19	11.1996 -	346	471	12000	3828
MAGNUM AE 470.19T	11.1996 -	346	471	12000	3497
MAGNUM AE 470.19T	11.1996 -	346	471	12000	3498
MAGNUM AE 470.19T	11.1996 -	346	471	12000	3770
MAGNUM AE 470.19T	11.1996 -	346	471	12000	3828
MAGNUM AE 470.26	01.1997 -	346	471	12000	3497
MAGNUM AE 470.26	01.1997 -	346	471	12000	3498
MAGNUM AE 470.26	01.1997 -	346	471	12000	3770
MAGNUM AE 470.26	01.1997 -	346	471	12000	3828
MAGNUM AE 470.26T	01.1998 -	346	471	12000	3497
MAGNUM AE 470.26T	01.1998 -	346	471	12000	3498
MAGNUM AE 470.26T	01.1998 -	346	471	12000	3770
MAGNUM AE 470.26T	01.1998 -	346	471	12000	3828
MAGNUM AE 520.18	10.1992 - 05.1996	390	530	16510	3497
MAGNUM AE 520.18	10.1992 - 05.1996	390	530	16510	3498
MAGNUM AE 520.18	10.1992 - 05.1996	390	530	16510	3770
MAGNUM AE 520.18T	10.1992 - 05.1996	390	530	16510	3497
MAGNUM AE 520.18T	10.1992 - 05.1996	390	530	16510	3498
MAGNUM AE 520.18T	10.1992 - 05.1996	390	530	16510	3770
MAGNUM AE 520.19	10.1992 - 05.1996	390	530	16510	3497
MAGNUM AE 520.19	10.1992 - 05.1996	390	530	16510	3498
MAGNUM AE 520.19	10.1992 - 05.1996	390	530	16510	3770
MAGNUM AE 520.19T	10.1992 - 05.1996	390	530	16510	3497
MAGNUM AE 520.19T	10.1992 - 05.1996	390	530	16510	3498
MAGNUM AE 520.19T	10.1992 - 05.1996	390	530	16510	3770
MAGNUM AE 520.19T	10.1992 - 05.1996	390	530	16510	3828
MAGNUM AE 520.22T	10.1992 - 05.1996	390	530	16510	3497
MAGNUM AE 520.22T	10.1992 - 05.1996	390	530	16510	3498



**MAKE & MODEL****YEAR****KW****PS****CC****RENAULT TRUCKS**

MAGNUM AE 520.22T	10.1992 - 05.1996	390	530	16510	3770	
MAGNUM AE 520.24	10.1992 - 05.1996	390	530	16510	3497	
MAGNUM AE 520.24	10.1992 - 05.1996	390	530	16510	3498	
MAGNUM AE 520.24	10.1992 - 05.1996	390	530	16510	3770	
MAGNUM AE 520.24T	10.1992 - 05.1996	390	530	16510	3497	
MAGNUM AE 520.24T	10.1992 - 05.1996	390	530	16510	3498	
MAGNUM AE 520.24T	10.1992 - 05.1996	390	530	16510	3770	
MAGNUM AE 520.26	10.1992 -	390	530	16510	3497	
MAGNUM AE 520.26	10.1992 -	390	530	16510	3498	
MAGNUM AE 520.26	10.1992 -	390	530	16510	3770	
MAGNUM AE 520.26T	10.1992 - 05.1996	390	530	16510	3497	
MAGNUM AE 520.26T	10.1992 - 05.1996	390	530	16510	3498	
MAGNUM AE 520.26T	10.1992 - 05.1996	390	530	16510	3770	
MAGNUM AE 560.18	04.1996 -	412	560	16400	3497	
MAGNUM AE 560.18	04.1996 -	412	560	16400	3498	
MAGNUM AE 560.18	04.1996 -	412	560	16400	3770	
MAGNUM AE 560.18	04.1996 -	412	560	16400	3828	
MAGNUM AE 560.18T	04.1996 -	412	560	16400	3497	
MAGNUM AE 560.18T	04.1996 -	412	560	16400	3498	
MAGNUM AE 560.18T	04.1996 -	412	560	16400	3770	
MAGNUM AE 560.18T	04.1996 -	412	560	16400	3828	
MAGNUM AE 560.19	04.1996 -	412	560	16400	3497	
MAGNUM AE 560.19	04.1996 -	412	560	16400	3498	
MAGNUM AE 560.19	04.1996 -	412	560	16400	3770	
MAGNUM AE 560.19	04.1996 -	412	560	16400	3828	
MAGNUM AE 560.19T	04.1996 -	412	560	16400	3497	
MAGNUM AE 560.19T	04.1996 -	412	560	16400	3498	
MAGNUM AE 560.19T	04.1996 -	412	560	16400	3770	
MAGNUM AE 560.19T	04.1996 -	412	560	16400	3828	
MAGNUM AE 560.26	04.1996 -	412	560	16400	3497	
MAGNUM AE 560.26	04.1996 -	412	560	16400	3498	
MAGNUM AE 560.26	04.1996 -	412	560	16400	3770	
MAGNUM AE 560.26	04.1996 -	412	560	16400	3828	
MAGNUM AE 560.26T	01.1997 -	412	560	16400	3497	
MAGNUM AE 560.26T	01.1997 -	412	560	16400	3498	
MAGNUM AE 560.26T	01.1997 -	412	560	16400	3770	
MAGNUM AE 560.26T	01.1997 -	412	560	16400	3828	
MAGNUM AE 560.26T	01.1998 -	412	560	16400	3497	
MAGNUM AE 560.26T	01.1998 -	412	560	16400	3498	
MAGNUM AE 560.26T	01.1998 -	412	560	16400	3770	
MAGNUM AE 560.26T	01.1998 -	412	560	16400	3828	
MAGNUM DXi 12 440.18	10.2004 - 04.2006	324	441	12130	3917	3917
MAGNUM DXi 12 440.18 T	10.2004 - 04.2006	324	441	12130	3917	3917
MAGNUM DXi 12 440.24	10.2004 - 04.2006	324	441	12130	3917	3917
MAGNUM DXi 12 440.26	10.2004 - 04.2006	324	441	12130	3917	3917
MAGNUM DXi 12 440.26 T	10.2004 - 04.2006	324	441	12130	3917	3917
MAGNUM DXi 12 480.18	10.2004 - 04.2006	353	480	12130	3917	3917
MAGNUM DXi 12 480.18 T	10.2004 - 04.2006	353	480	12130	3917	3917
MAGNUM DXi 12 480.24	10.2004 - 04.2006	353	480	12130	3917	3917
MAGNUM DXi 12 480.26	10.2004 - 04.2006	353	480	12130	3917	3917
MAGNUM DXi 12 480.26 T	10.2004 - 04.2006	353	480	12130	3917	3917
MAGNUM DXi 13 440.19	03.2009 -	323	440	12800	3917	3917
MAGNUM DXi 13 460.18 T	05.2006 -	339	461	12800	3917	3917
MAGNUM DXi 13 460.24	05.2006 -	339	461	12800	3917	3917
MAGNUM DXi 13 460.25	05.2006 -	339	461	12800	3917	3917
MAGNUM DXi 13 460.26	05.2006 -	339	461	12800	3917	3917
MAGNUM DXi 13 460.26 T	05.2006 -	339	461	12800	3917	3917
MAGNUM DXi 13 480.19	03.2009 -	353	480	12800	3917	3917
MAGNUM DXi 13 480.26	03.2009 -	353	480	12800	3917	3917
MAGNUM DXi 13 500.18 T	05.2006 -	368	500	12800	3917	3917
MAGNUM DXi 13 500.24	05.2006 -	368	500	12800	3917	3917
MAGNUM DXi 13 500.25	05.2006 -	368	500	12800	3917	3917
MAGNUM DXi 13 500.26	05.2006 -	368	500	12800	3917	3917
MAGNUM DXi 13 500.26 T	05.2006 -	368	500	12800	3917	3917
MAGNUM DXi 13 520.18	08.2009 -	382	520	12800	3917	3917
MAGNUM DXi 13 520.19	08.2009 -	382	520	12800	3917	3917
MAGNUM DXi 13 520.24	08.2009 -	382	520	12800	3917	3917

**MAKE & MODEL****YEAR****KW****PS****CC****RENAULT TRUCKS**

MAGNUM DXi 13 520.25	08.2009 -	382	520	12800	3917	3917
MAGNUM DXi 13 520.26	08.2009 -	382	520	12800	3917	3917
MAGNUM E.TECH 400.18	05.2000 -	295	401	12000	3498	
MAGNUM E.TECH 400.18	05.2000 -	295	401	12000	3828	
MAGNUM E.TECH 400.18	05.2000 -	295	401	12000	3828	3828
MAGNUM E.TECH 400.18T	05.2000 -	295	401	12000	3498	
MAGNUM E.TECH 400.18T	05.2000 -	295	401	12000	3828	
MAGNUM E.TECH 400.18T	05.2000 -	295	401	12000	3828	3828
MAGNUM E.TECH 400.24	05.2000 -	295	401	12000	3498	
MAGNUM E.TECH 400.24	05.2000 -	295	401	12000	3828	
MAGNUM E.TECH 400.24	05.2000 -	295	401	12000	3828	3828
MAGNUM E.TECH 400.26	05.2000 -	295	401	12000	3498	
MAGNUM E.TECH 400.26	05.2000 -	295	401	12000	3828	
MAGNUM E.TECH 400.26	05.2000 -	295	401	12000	3828	3828
MAGNUM E.TECH 440.18	05.2000 -	324	441	12000	3498	
MAGNUM E.TECH 440.18	05.2000 -	324	441	12000	3828	
MAGNUM E.TECH 440.18	05.2000 -	324	441	12000	3828	3828
MAGNUM E.TECH 440.18T	05.2000 -	324	441	12000	3498	
MAGNUM E.TECH 440.18T	05.2000 -	324	441	12000	3828	
MAGNUM E.TECH 440.18T	05.2000 -	324	441	12000	3828	3828
MAGNUM E.TECH 440.24	05.2000 -	324	441	12000	3498	
MAGNUM E.TECH 440.24	05.2000 -	324	441	12000	3828	
MAGNUM E.TECH 440.24	05.2000 -	324	441	12000	3828	3828
MAGNUM E.TECH 440.26	05.2000 -	324	441	12000	3498	
MAGNUM E.TECH 440.26	05.2000 -	324	441	12000	3828	
MAGNUM E.TECH 440.26	05.2000 -	324	441	12000	3828	3828
MAGNUM E.TECH 440.26T	05.2000 -	324	441	12000	3498	
MAGNUM E.TECH 440.26T	05.2000 -	324	441	12000	3828	
MAGNUM E.TECH 440.26T	05.2000 -	324	441	12000	3828	3828
MAGNUM E.TECH 480.18	05.2000 -	347	472	12000	3498	
MAGNUM E.TECH 480.18	05.2000 -	347	472	12000	3828	
MAGNUM E.TECH 480.18	05.2000 -	347	472	12000	3828	3828
MAGNUM E.TECH 480.18T	05.2000 -	347	472	12000	3498	
MAGNUM E.TECH 480.18T	05.2000 -	347	472	12000	3828	
MAGNUM E.TECH 480.18T	05.2000 -	347	472	12000	3828	3828
MAGNUM E.TECH 480.24	05.2000 -	347	472	12000	3498	
MAGNUM E.TECH 480.24	05.2000 -	347	472	12000	3828	
MAGNUM E.TECH 480.24	05.2000 -	347	472	12000	3828	3828
MAGNUM E.TECH 480.26	05.2000 -	347	472	12000	3498	
MAGNUM E.TECH 480.26	05.2000 -	347	472	12000	3828	
MAGNUM E.TECH 480.26	05.2000 -	347	472	12000	3828	3828
MAGNUM E.TECH 480.26T	05.2000 -	347	472	12000	3498	
MAGNUM E.TECH 480.26T	05.2000 -	347	472	12000	3828	
MAGNUM E.TECH 480.26T	05.2000 -	347	472	12000	3828	3828
MAJOR R 340ti.16/T	05.1991 - 10.1996	249	339	9839	3497	
MAJOR R 340ti.16/T	05.1991 - 10.1996	249	339	9839	3498	
MAJOR R 340ti.16/T	05.1991 - 10.1996	249	339	9839	3498	3498
MAJOR R 340ti.17	05.1991 - 10.1996	249	339	9839	3497	
MAJOR R 340ti.17	05.1991 - 10.1996	249	339	9839	3498	
MAJOR R 340ti.17	05.1991 - 10.1996	249	339	9839	3498	3498
MAJOR R 340ti.18	05.1991 - 10.1996	249	339	9839	3497	
MAJOR R 340ti.18	05.1991 - 10.1996	249	339	9839	3498	
MAJOR R 340ti.18	05.1991 - 10.1996	249	339	9839	3498	3498
MAJOR R 340ti.18/T	05.1991 - 10.1996	249	339	9839	3497	
MAJOR R 340ti.18/T	05.1991 - 10.1996	249	339	9839	3498	
MAJOR R 340ti.18/T	05.1991 - 10.1996	249	339	9839	3498	3498
MAJOR R 340ti.19	05.1991 - 10.1996	249	339	9839	3497	
MAJOR R 340ti.19	05.1991 - 10.1996	249	339	9839	3498	
MAJOR R 340ti.19	05.1991 - 10.1996	249	339	9839	3498	3498
MAJOR R 340ti.19/T	05.1991 - 10.1996	249	339	9839	3497	
MAJOR R 340ti.19/T	05.1991 - 10.1996	249	339	9839	3498	
MAJOR R 340ti.19/T	05.1991 - 10.1996	249	339	9839	3498	3498
MAJOR R 340ti.24	05.1991 - 10.1996	249	339	9839	3497	
MAJOR R 340ti.24	05.1991 - 10.1996	249	339	9839	3498	
MAJOR R 340ti.24	05.1991 - 10.1996	249	339	9839	3498	3498
MAJOR R 340ti.26	05.1991 - 10.1996	249	339	9839	3497	
MAJOR R 340ti.26	05.1991 - 10.1996	249	339	9839	3498	

**MAKE & MODEL****YEAR****KW****PS****CC****RENAULT TRUCKS**

MAJOR R 340ti.26	05.1991 - 10.1996	249	339	9839	3498	3498
MAJOR R 385ti.17,R 380.17	05.1991 - 10.1996	275	374	12024	3497	
MAJOR R 385ti.17,R 380.17	05.1991 - 10.1996	275	374	12024	3498	
MAJOR R 385ti.17,R 380.17	05.1991 - 10.1996	275	374	12024	3498	3498
MAJOR R 385ti.18,R 380.18	05.1991 - 10.1996	275	374	12024	3497	
MAJOR R 385ti.18,R 380.18	05.1991 - 10.1996	275	374	12024	3498	
MAJOR R 385ti.18,R 380.18	05.1991 - 10.1996	275	374	12024	3498	3498
MAJOR R 385ti.18/T,R 380.18/T	05.1991 - 10.1996	275	374	12024	3497	
MAJOR R 385ti.18/T,R 380.18/T	05.1991 - 10.1996	275	374	12024	3498	
MAJOR R 385ti.18/T,R 380.18/T	05.1991 - 10.1996	275	374	12024	3498	3498
MAJOR R 385ti.19,R 380.19	05.1991 - 10.1996	275	374	12024	3497	
MAJOR R 385ti.19,R 380.19	05.1991 - 10.1996	275	374	12024	3498	
MAJOR R 385ti.19,R 380.19	05.1991 - 10.1996	275	374	12024	3498	3498
MAJOR R 385ti.19/T,R 380.19/T	05.1991 - 10.1996	275	374	12024	3497	
MAJOR R 385ti.19/T,R 380.19/T	05.1991 - 10.1996	275	374	12024	3498	
MAJOR R 385ti.19/T,R 380.19/T	05.1991 - 10.1996	275	374	12024	3498	3498
MAJOR R 385ti.22/T,R 380.19/TB	05.1991 - 10.1996	275	374	12024	3497	
MAJOR R 385ti.22/T,R 380.19/TB	05.1991 - 10.1996	275	374	12024	3498	
MAJOR R 385ti.22/T,R 380.19/TB	05.1991 - 10.1996	275	374	12024	3498	3498
MAJOR R 385ti.24,R 380.24	05.1991 - 10.1996	275	374	12024	3497	
MAJOR R 385ti.24,R 380.24	05.1991 - 10.1996	275	374	12024	3498	
MAJOR R 385ti.24,R 380.24	05.1991 - 10.1996	275	374	12024	3498	3498
MAJOR R 385ti.25,R 380.25	05.1991 - 10.1996	275	374	12024	3497	
MAJOR R 385ti.25,R 380.25	05.1991 - 10.1996	275	374	12024	3498	
MAJOR R 385ti.25,R 380.25	05.1991 - 10.1996	275	374	12024	3498	3498
MAJOR R 385ti.25/T,R 380.25/T	05.1991 - 10.1996	275	374	12024	3497	
MAJOR R 385ti.25/T,R 380.25/T	05.1991 - 10.1996	275	374	12024	3498	
MAJOR R 385ti.25/T,R 380.25/T	05.1991 - 10.1996	275	374	12024	3498	3498
MAJOR R 385ti.26	12.1991 - 10.1996	283	385	12024	3497	
MAJOR R 385ti.26	12.1991 - 10.1996	283	385	12024	3498	
MAJOR R 385ti.26	12.1991 - 10.1996	283	385	12024	3498	3498
MAJOR R 385ti.26,R 380.26	05.1991 - 10.1996	275	374	12024	3497	
MAJOR R 385ti.26,R 380.26	05.1991 - 10.1996	275	374	12024	3498	
MAJOR R 385ti.26,R 380.26	05.1991 - 10.1996	275	374	12024	3498	3498
MAJOR R 385ti.26/T,R 380.26/T	05.1991 - 10.1996	275	374	12024	3497	
MAJOR R 385ti.26/T,R 380.26/T	05.1991 - 10.1996	275	374	12024	3498	
MAJOR R 385ti.26/T,R 380.26/T	05.1991 - 10.1996	275	374	12024	3498	3498
MAJOR R 420ti.18/T	10.1992 - 10.1996	305	415	12024	3497	
MAJOR R 420ti.18/T	10.1992 - 10.1996	305	415	12024	3498	
MAJOR R 420ti.18/T	10.1992 - 10.1996	305	415	12024	3498	3498
MAJOR R 420ti.19/T	10.1992 - 10.1996	305	415	12024	3497	
MAJOR R 420ti.19/T	10.1992 - 10.1996	305	415	12024	3498	
MAJOR R 420ti.19/T	10.1992 - 10.1996	305	415	12024	3498	3498
MAJOR R 420ti.22/T	10.1992 - 10.1996	305	415	12024	3497	
MAJOR R 420ti.22/T	10.1992 - 10.1996	305	415	12024	3498	
MAJOR R 420ti.22/T	10.1992 - 10.1996	305	415	12024	3498	3498
MAJOR R 420ti.24/TS	04.1992 - 10.1996	305	415	12024	3497	
MAJOR R 420ti.24/TS	04.1992 - 10.1996	305	415	12024	3498	
MAJOR R 420ti.24/TS	04.1992 - 10.1996	305	415	12024	3498	3498
MAJOR R 420ti.26/TS	04.1992 - 10.1996	305	415	12024	3497	
MAJOR R 420ti.26/TS	04.1992 - 10.1996	305	415	12024	3498	
MAJOR R 420ti.26/TS	04.1992 - 10.1996	305	415	12024	3498	3498
MAJOR R 420ti.35/TS	04.1992 - 10.1996	305	415	12024	3497	
MAJOR R 420ti.35/TS	04.1992 - 10.1996	305	415	12024	3498	
MAJOR R 420ti.35/TS	04.1992 - 10.1996	305	415	12024	3498	3498
MANAGER G 200.13	09.1991 - 03.1993	137	186	6180	3498	
MANAGER G 200.15	09.1991 - 03.1993	137	186	6180	3498	
MANAGER G 200.16	09.1991 - 03.1993	137	186	6180	3498	
MANAGER G 200.17	09.1991 - 03.1993	137	186	6180	3498	
MANAGER G 200.18	09.1991 - 03.1993	137	186	6180	3498	
MANAGER G 210.16	05.1992 - 10.1996	151	205	6180	3497	
MANAGER G 210.16	05.1992 - 10.1996	151	205	6180	3498	
MANAGER G 210.18	05.1992 - 10.1996	151	205	6180	3497	
MANAGER G 210.18	05.1992 - 10.1996	151	205	6180	3498	
MANAGER G 220.17 BOM	09.1991 - 10.1996	161	219	9840	3497	
MANAGER G 220.17 BOM	09.1991 - 10.1996	161	219	9840	3498	
MANAGER G 220.19 BOM	09.1991 - 10.1996	161	219	9840	3497	

**MAKE & MODEL****YEAR****KW****PS****CC****RENAULT TRUCKS**

MANAGER G 220.19 BOM	09.1991 - 10.1996	161	219	9840	3498
MANAGER G 230.13 SP	09.1991 - 03.1993	169	230	8821	3497
MANAGER G 230.13 SP	09.1991 - 03.1993	169	230	8821	3498
MANAGER G 230ti.13	09.1991 - 03.1993	166	226	6180	3497
MANAGER G 230ti.13	09.1991 - 03.1993	166	226	6180	3498
MANAGER G 230ti.15	09.1991 - 03.1993	166	226	6180	3497
MANAGER G 230ti.15	09.1991 - 03.1993	166	226	6180	3498
MANAGER G 230ti.16	09.1991 - 10.1996	166	226	6180	3497
MANAGER G 230ti.16	09.1991 - 10.1996	166	226	6180	3498
MANAGER G 230ti.17	09.1991 - 10.1996	166	226	6180	3497
MANAGER G 230ti.17	09.1991 - 10.1996	166	226	6180	3498
MANAGER G 230ti.18	05.1992 - 10.1996	166	226	6180	3497
MANAGER G 230ti.18	05.1992 - 10.1996	166	226	6180	3498
MANAGER G 230ti.19	09.1991 - 10.1996	166	226	6180	3497
MANAGER G 230ti.19	09.1991 - 10.1996	166	226	6180	3498
MANAGER G 270.13 SP	03.1993 - 10.1996	195	265	9839	3497
MANAGER G 270.13 SP	03.1993 - 10.1996	195	265	9839	3498
MANAGER G 270.14 SP	03.1993 - 10.1996	195	265	9839	3497
MANAGER G 270.14 SP	03.1993 - 10.1996	195	265	9839	3498
MANAGER G 270.18,G 270.17	11.1992 - 10.1996	195	265	9839	3497
MANAGER G 270.18,G 270.17	11.1992 - 10.1996	195	265	9839	3498
MANAGER G 280.13,G 270.13	09.1991 - 10.1996	195	265	9839	3497
MANAGER G 280.13,G 270.13	09.1991 - 10.1996	195	265	9839	3498
MANAGER G 280.15,G 270.15	09.1991 - 10.1996	195	265	9839	3497
MANAGER G 280.15,G 270.15	09.1991 - 10.1996	195	265	9839	3498
MANAGER G 280.15/T,G 270.15/T	09.1991 - 10.1996	195	265	9839	3497
MANAGER G 280.15/T,G 270.15/T	09.1991 - 10.1996	195	265	9839	3498
MANAGER G 280.16	09.1991 - 03.1993	202	275	9839	3498
MANAGER G 280.16,G 270.16	09.1991 - 10.1996	195	265	9839	3497
MANAGER G 280.16,G 270.16	09.1991 - 10.1996	195	265	9839	3498
MANAGER G 280.17,G 270.18	09.1991 - 10.1996	195	265	9839	3497
MANAGER G 280.17,G 270.18	09.1991 - 10.1996	195	265	9839	3498
MANAGER G 280.17/T,G 270.17/T	09.1991 - 10.1996	195	265	9839	3497
MANAGER G 280.17/T,G 270.17/T	09.1991 - 10.1996	195	265	9839	3498
MANAGER G 280.18,G 270.18,G 270.17	09.1991 - 10.1996	195	265	9839	3497
MANAGER G 280.18,G 270.18,G 270.17	09.1991 - 10.1996	195	265	9839	3498
MANAGER G 280.19	09.1991 - 03.1993	202	275	9839	3497
MANAGER G 280.19	09.1991 - 03.1993	202	275	9839	3498
MANAGER G 280.19,G 270.19	09.1991 - 10.1996	195	265	9839	3497
MANAGER G 280.19,G 270.19	09.1991 - 10.1996	195	265	9839	3498
MANAGER G 280.24	09.1991 - 03.1993	202	275	9839	3497
MANAGER G 280.24	09.1991 - 03.1993	202	275	9839	3498
MANAGER G 280.26,G 270.26	09.1991 - 10.1996	195	265	9839	3497
MANAGER G 280.26,G 270.26	09.1991 - 10.1996	195	265	9839	3498
MANAGER G 300.13	09.1991 - 10.1996	222	302	9839	3497
MANAGER G 300.13	09.1991 - 10.1996	222	302	9839	3498
MANAGER G 300.15	09.1991 - 10.1996	222	302	9839	3497
MANAGER G 300.15	09.1991 - 10.1996	222	302	9839	3498
MANAGER G 300.15/T	09.1991 - 10.1996	222	302	9839	3497
MANAGER G 300.15/T	09.1991 - 10.1996	222	302	9839	3498
MANAGER G 300.16	09.1991 - 10.1996	222	302	9839	3497
MANAGER G 300.16	09.1991 - 10.1996	222	302	9839	3498
MANAGER G 300.17	09.1991 - 10.1996	222	302	9839	3497
MANAGER G 300.17	09.1991 - 10.1996	222	302	9839	3498
MANAGER G 300.17/T	09.1992 - 10.1996	222	302	9839	3497
MANAGER G 300.17/T	09.1992 - 10.1996	222	302	9839	3498
MANAGER G 300.18	09.1992 - 10.1996	222	302	9839	3497
MANAGER G 300.18	09.1992 - 10.1996	222	302	9839	3498
MANAGER G 300.19	09.1991 - 03.1993	222	302	9839	3497
MANAGER G 300.19	09.1991 - 03.1993	222	302	9839	3498
MANAGER G 300.19	09.1991 - 10.1996	222	302	9839	3497
MANAGER G 300.19	09.1991 - 10.1996	222	302	9839	3498
MANAGER G 300.19/T	09.1991 - 10.1996	222	302	9839	3497
MANAGER G 300.19/T	09.1991 - 10.1996	222	302	9839	3498
MANAGER G 300.24	09.1991 - 10.1996	222	302	9839	3497
MANAGER G 300.24	09.1991 - 10.1996	222	302	9839	3498
MANAGER G 300.25	09.1991 - 10.1996	222	302	9839	3497

**MAKE & MODEL****YEAR****KW****PS****CC****RENAULT TRUCKS**

MANAGER G 300.25	09.1991 - 10.1996	222	302	9839	3498	
MANAGER G 300.26	09.1991 - 10.1996	222	302	9839	3497	
MANAGER G 300.26	09.1991 - 10.1996	222	302	9839	3498	
MANAGER G 300.26 CIT	09.1991 - 10.1996	222	302	9839	3497	
MANAGER G 300.26 CIT	09.1991 - 10.1996	222	302	9839	3498	
MANAGER G 300.26/T	09.1991 - 10.1996	222	302	9839	3497	
MANAGER G 300.26/T	09.1991 - 10.1996	222	302	9839	3498	
MANAGER G 330.13	09.1991 - 03.1993	240	326	9839	3498	
MANAGER G 330.15	09.1991 - 03.1993	240	326	9839	3498	
MANAGER G 330.17	09.1991 - 03.1993	240	326	9839	3498	
MANAGER G 330.18	09.1991 - 03.1993	240	326	9839	3498	
MANAGER G 330.19	09.1991 - 03.1993	240	326	9839	3498	
MANAGER G 330.24	09.1991 - 03.1993	240	326	9839	3498	
MANAGER G 330.26	09.1991 - 03.1993	240	326	9839	3498	
MANAGER G 340ti.16,G 330.16	09.1991 - 10.1996	240	326	9839	3497	
MANAGER G 340ti.16,G 330.16	09.1991 - 10.1996	240	326	9839	3498	
MANAGER G 340ti.17,G 330.19	09.1991 - 10.1996	240	326	9839	3497	
MANAGER G 340ti.17,G 330.19	09.1991 - 10.1996	240	326	9839	3498	
MANAGER G 340ti.17/T,G 330.17/T	09.1991 - 10.1996	240	326	9839	3497	
MANAGER G 340ti.17/T,G 330.17/T	09.1991 - 10.1996	240	326	9839	3498	
MANAGER G 340ti.18,G 330.18	09.1991 - 10.1996	240	326	9839	3497	
MANAGER G 340ti.18,G 330.18	09.1991 - 10.1996	240	326	9839	3498	
MANAGER G 340ti.18/T	02.1992 - 10.1996	249	339	9839	3497	
MANAGER G 340ti.18/T	02.1992 - 10.1996	249	339	9839	3498	
MANAGER G 340ti.19,G 330.19	09.1991 - 10.1996	240	326	9839	3497	
MANAGER G 340ti.19,G 330.19	09.1991 - 10.1996	240	326	9839	3498	
MANAGER G 340ti.19/T,G 330.19/T	09.1991 - 10.1996	240	326	9839	3497	
MANAGER G 340ti.19/T,G 330.19/T	09.1991 - 10.1996	240	326	9839	3498	
MANAGER G 340ti.19/T,G 330.19/T,G 330.17/T	09.1991 - 10.1996	240	326	9839	3497	
MANAGER G 340ti.19/T,G 330.19/T,G 330.17/T	09.1991 - 10.1996	240	326	9839	3498	
MANAGER G 340ti.26,G 330.26	10.1991 - 10.1996	240	326	9839	3497	
MANAGER G 340ti.26,G 330.26	10.1991 - 10.1996	240	326	9839	3498	
MIDLINER M 150.12/C	05.1996 - 01.2000	110	150	6180	3837	3837
MIDLINER M 150.13/C	05.1996 - 01.2000	110	150	6180	3837	3837
MIDLINER M 180.12/C	05.1996 - 01.2000	132	180	6180	3837	3837
MIDLINER M 180.13/C	05.1996 - 01.2000	132	180	6180	3837	3837
MIDLINER M 210.12/C	05.1992 - 01.2000	151	205	6180	3837	3837
MIDLINER M 210.13/C	05.1992 - 01.2000	151	205	6180	3837	3837
MIDLINER M 250.13/C	05.1996 - 01.2000	184	250	6180	3837	3837
MIDLINER M 250.15/C,M 250.15/D	05.1996 - 01.2000	184	250	6180	3837	3837
MIDLUM 135.08/B,150.08/B	01.2000 -	100	136	4120	3565	
MIDLUM 135.09/B,150.09/B	01.2000 -	100	136	4120	3565	
MIDLUM 135.10/B,150.10/B	01.2000 -	100	136	4120	3565	
MIDLUM 150.08/B	10.2001 -	112	152	4120	3565	
MIDLUM 150.10/B	10.2001 -	112	152	4120	3565	
MIDLUM 150.12/B	01.2000 -	110	150	4120	3565	3565
MIDLUM 150.12/B	01.2000 -	110	150	4120	3870	3870
MIDLUM 160.08	05.2006 -	118	160	4800	3565	
MIDLUM 160.08	05.2006 -	118	160	4800	4290	4290
MIDLUM 160.10	05.2006 -	118	160	4800	3818	3818
MIDLUM 160.12	05.2006 -	118	160	4800	4047	4047
MIDLUM 160.12	05.2006 -	118	160	4800	4290	4290
MIDLUM 180.08/B	01.2000 -	132	180	6177	3565	
MIDLUM 180.08/B	10.2001 -	128	174	4120	3565	
MIDLUM 180.09/B	01.2000 -	132	180	6177	3565	
MIDLUM 180.10/B	01.2000 -	132	180	6177	3565	
MIDLUM 180.10/B	10.2001 -	128	174	4120	3565	
MIDLUM 180.12	10.2001 -	128	174	4120	3828	3828
MIDLUM 180.12	10.2001 -	128	174	4120	3565	3565
MIDLUM 180.12	10.2001 -	128	174	4120	3870	3870
MIDLUM 180.12/B	01.2000 -	132	180	6177	3565	
MIDLUM 180.12/B	01.2000 -	132	180	6177	3870	3870
MIDLUM 180.12/B, 180.12/C	10.2001 -	128	174	4120	3565	
MIDLUM 180.12/B, 180.12/C	10.2001 -	128	174	4120	3870	3870
MIDLUM 190.08	05.2006 -	140	190	4800	3565	
MIDLUM 190.08	05.2006 -	140	190	4800	4290	4290
MIDLUM 190.10	05.2006 -	140	190	4800	3818	3818



**MAKE & MODEL****YEAR****KW****PS****CC****RENAULT TRUCKS**

MIDLUM 190.12	05.2006 -	140	190	4800	4047	4047
MIDLUM 190.12	05.2006 -	140	190	4800	4290	4290
MIDLUM 190.13	05.2006 -	140	190	4800	4047	4047
MIDLUM 190.13	05.2006 -	140	190	4800	4290	4290
MIDLUM 190.14	05.2006 -	140	190	4800	4290	
MIDLUM 190.14	05.2006 -	140	190	4800	4047	4047
MIDLUM 190.16	05.2006 -	140	190	4800	4047	4047
MIDLUM 190.16	05.2006 -	140	190	4800	4290	4290
MIDLUM 210.08/B	01.2000 -	154	209	6177	3565	
MIDLUM 210.08/B, 220.08/B	01.2000 -	154	209	6177	3565	
MIDLUM 210.09/B	01.2000 -	154	209	6177	3565	
MIDLUM 210.10/B	01.2000 -	154	209	6177	3565	
MIDLUM 210.10/B, 220.10/B	01.2000 -	154	209	6177	3565	
MIDLUM 210.12/C	01.2000 -	154	209	6177	3837	3837
MIDLUM 210.12/C	01.2000 -	154	209	6177	3565	3565
MIDLUM 210.12/C	01.2000 -	154	209	6177	3870	3870
MIDLUM 210.12/C, 220.12/C	01.2000 -	154	209	6177	3837	3837
MIDLUM 210.12/C, 220.12/C	01.2000 -	154	209	6177	3565	3565
MIDLUM 210.12/C, 220.12/C	01.2000 -	154	209	6177	3870	3870
MIDLUM 210.13/C	01.2000 -	154	209	6177	3837	3837
MIDLUM 210.13/C	01.2000 -	154	209	6177	3870	3870
MIDLUM 210.13/C, 220.13/C, 220.13/D	01.2000 -	154	209	6177	3837	3837
MIDLUM 210.13/C, 220.13/C, 220.13/D	01.2000 -	154	209	6177	3870	3870
MIDLUM 210.14/C, 220.14/C, 220.14/D	01.2000 -	154	209	6177	3837	3837
MIDLUM 210.14/C, 220.14/C, 220.14/D	01.2000 -	154	209	6177	3870	3870
MIDLUM 210.15/C	01.2000 -	154	209	6177	3837	3837
MIDLUM 210.15/C	01.2000 -	154	209	6177	3870	3870
MIDLUM 210.16/C, 220.16/C, 22.16/D	01.2000 -	154	209	6177	3837	3837
MIDLUM 210.16/C, 220.16/C, 22.16/D	01.2000 -	154	209	6177	3870	3870
MIDLUM 220.08	05.2006 -	158	220	4800	3565	
MIDLUM 220.08	05.2006 -	158	220	4800	4290	4290
MIDLUM 220.10	05.2006 -	158	220	4800	3818	3818
MIDLUM 220.12	10.2001 -	158	215	6177	3870	3870
MIDLUM 220.13	05.2006 -	158	220	4800	4047	4047
MIDLUM 220.13	05.2006 -	158	220	4800	4290	4290
MIDLUM 220.14	10.2001 -	158	215	6177	3870	3870
MIDLUM 220.15	10.2001 -	158	215	6177	3870	3870
MIDLUM 220.16	05.2006 -	158	220	4800	4047	4047
MIDLUM 220.16	05.2006 -	158	220	4800	4290	4290
MIDLUM 220.16	10.2001 -	158	215	6177	3870	3870
MIDLUM 220.18/D	10.2001 -	158	215	6177	3870	3870
MIDLUM 240.12	05.2006 -	177	240	7200	4047	4047
MIDLUM 240.12	05.2006 -	177	240	7200	4290	4290
MIDLUM 240.13	05.2006 -	177	240	7200	4047	4047
MIDLUM 240.13	05.2006 -	177	240	7200	4290	4290
MIDLUM 240.14	05.2006 -	177	240	7200	4047	4047
MIDLUM 240.14	05.2006 -	177	240	7200	4290	4290
MIDLUM 240.15	05.2006 -	177	240	7200	4047	4047
MIDLUM 240.15	05.2006 -	177	240	7200	4290	4290
MIDLUM 240.16	05.2006 -	177	240	7200	4047	4047
MIDLUM 240.16	05.2006 -	177	240	7200	4290	4290
MIDLUM 240.18	05.2006 -	177	240	7200	4047	4047
MIDLUM 240.18	05.2006 -	177	240	7200	4290	4290
MIDLUM 250.12/C	01.2000 -	184	250	6177	3837	3837
MIDLUM 250.12/C	01.2000 -	184	250	6177	3870	3870
MIDLUM 250.13/C	01.2000 -	184	250	6177	3837	3837
MIDLUM 250.13/C	01.2000 -	184	250	6177	3870	3870
MIDLUM 250.14/C	01.2000 -	184	250	6177	3837	3837
MIDLUM 250.14/C	01.2000 -	184	250	6177	3870	3870
MIDLUM 250.15/C	01.2000 -	184	250	6177	3837	3837
MIDLUM 250.15/C	01.2000 -	184	250	6177	3870	3870
MIDLUM 250.16/C	01.2000 -	184	250	6177	3837	3837
MIDLUM 250.16/C	01.2000 -	184	250	6177	3870	3870
MIDLUM 250.16/CT	01.2000 -	184	250	6177	3837	3837
MIDLUM 250.16/CT	01.2000 -	184	250	6177	3870	3870
MIDLUM 270.12/C	10.2001 -	195	265	6177	3870	3870
MIDLUM 270.13/C, 270.13/D	10.2001 -	195	265	6177	3870	3870





## MAKE & MODEL



YEAR

KW

PS

CC



### RENAULT TRUCKS

MIDLUM 270.14/C, 270.14/D	10.2001 -	195	265	6177	3870	3870
MIDLUM 270.16/C	10.2001 -	195	265	6177	3870	3870
MIDLUM 270.16/C, 270.16/D	10.2001 -	195	265	6177	3870	3870
MIDLUM 270.18/D	10.2001 -	195	265	6177	3870	3870
MIDLUM 280.12	05.2006 -	206	280	7200	4047	4047
MIDLUM 280.12	05.2006 -	206	280	7200	4290	4290
MIDLUM 280.13	05.2006 -	206	280	7200	4047	4047
MIDLUM 280.13	05.2006 -	206	280	7200	4290	4290
MIDLUM 280.14	05.2006 -	206	280	7200	4047	4047
MIDLUM 280.14	05.2006 -	206	280	7200	4290	4290
MIDLUM 280.16	05.2006 -	206	280	7200	4047	4047
MIDLUM 280.16	05.2006 -	206	280	7200	4290	4290
MIDLUM 280.18	05.2006 -	206	280	7200	4047	4047
MIDLUM 280.18	05.2006 -	206	280	7200	4290	4290
PREMIUM 2 Distribution 240.18 D	05.2006 -	177	241	7200	3917	3917
PREMIUM 2 Distribution 270.19	10.2006 -	194	264	7200	3917	3917
PREMIUM 2 Distribution 280.18 D	10.2005 -	206	280	7200	3917	3917
PREMIUM 2 Distribution 280.26	10.2005 -	206	280	7200	3917	3917
PREMIUM 2 Distribution 310.18	10.2006 -	224	310	7200	3917	3917
PREMIUM 2 Distribution 310.26	10.2006 -	224	310	7200	3917	3917
PREMIUM 2 Distribution 320.18	05.2006 -	235	320	7200	3917	3917
PREMIUM 2 Distribution 320.18 D	10.2005 -	235	320	7200	3917	3917
PREMIUM 2 Distribution 320.26	10.2005 -	235	320	7200	3917	3917
PREMIUM 2 Distribution 340.18	10.2006 -	247	340	7200	3917	3917
PREMIUM 2 Distribution 340.19	10.2006 -	247	340	7200	3917	3917
PREMIUM 2 Distribution 340.26	10.2006 -	247	340	7200	3917	3917
PREMIUM 2 Distribution 370.18 D	10.2005 -	272	370	10800	3917	3917
PREMIUM 2 Distribution 370.26	10.2005 -	272	370	10800	3917	3917
PREMIUM 2 Distribution 380.18	10.2006 -	280	381	10800	3917	3917
PREMIUM 2 Distribution 380.19	10.2006 -	280	381	10800	3917	3917
PREMIUM 2 Distribution 380.26	10.2006 -	280	381	10800	3917	3917
PREMIUM 2 Distribution 410.18 D	10.2005 -	302	410	10800	3917	3917
PREMIUM 2 Distribution 410.26	10.2005 -	302	410	10800	3917	3917
PREMIUM 2 Distribution 430.18	10.2006 -	316	430	10800	3917	3917
PREMIUM 2 Distribution 430.19	10.2006 -	316	430	10800	3917	3917
PREMIUM 2 Distribution 430.26	10.2006 -	316	430	10800	3917	3917
PREMIUM 2 Distribution 450.18 D	10.2005 -	331	450	10800	3917	3917
PREMIUM 2 Distribution 460.19	10.2006 -	339	460	10800	3917	3917
PREMIUM 2 Route 330.18 T	10.2005 -	243	330	10800	3917	3917
PREMIUM 2 Route 380.18	10.2006 -	280	381	10800	3917	3917
PREMIUM 2 Route 380.19	10.2006 -	280	381	10800	3917	3917
PREMIUM 2 Route 380.26	10.2006 -	280	381	10800	3917	3917
PREMIUM 2 Route 410.18	10.2005 -	302	410	10800	3917	3917
PREMIUM 2 Route 410.18 D	10.2005 -	302	410	10800	3917	3917
PREMIUM 2 Route 410.24	10.2005 -	302	411	10800	3917	3917
PREMIUM 2 Route 410.25	10.2005 -	302	410	10800	3917	3917
PREMIUM 2 Route 410.25	10.2005 -	302	411	10800	3917	3917
PREMIUM 2 Route 410.26	10.2005 -	302	411	10800	3917	3917
PREMIUM 2 Route 430.18	10.2006 -	316	430	10800	3917	3917
PREMIUM 2 Route 430.19	10.2006 -	316	430	10800	3917	3917
PREMIUM 2 Route 430.26	10.2006 -	316	430	10800	3917	3917
PREMIUM 2 Route 450.18	10.2005 -	331	450	10800	3917	3917
PREMIUM 2 Route 450.18 D	10.2005 -	331	450	10800	3917	3917
PREMIUM 2 Route 450.24	10.2005 -	331	450	10800	3917	3917
PREMIUM 2 Route 450.25	10.2005 -	331	450	10800	3917	3917
PREMIUM 2 Route 450.26	10.2005 -	331	450	10800	3917	3917
PREMIUM 2 Route 460.18	10.2006 -	339	460	10800	3917	3917
PREMIUM 2 Route 460.26	10.2006 -	339	460	10800	3917	3917
PREMIUM Distribution 210.16	04.1996 -	154	209	6177	3497	
PREMIUM Distribution 210.16	04.1996 -	154	209	6177	3498	
PREMIUM Distribution 210.16	04.1996 -	154	209	6177	3770	
PREMIUM Distribution 210.16	04.1996 -	154	209	6177	3828	
PREMIUM Distribution 210.16	04.1996 -	154	209	6177	3828	3828
PREMIUM Distribution 210.18D, 220.18	04.1996 -	154	209	6177	3497	
PREMIUM Distribution 210.18D, 220.18	04.1996 -	154	209	6177	3498	
PREMIUM Distribution 210.18D, 220.18	04.1996 -	154	209	6177	3770	
PREMIUM Distribution 210.18D, 220.18	04.1996 -	154	209	6177	3828	

**MAKE & MODEL****YEAR****KW****PS****CC****RENAULT TRUCKS**

PREMIUM Distribution 210.18D, 220.18	04.1996 -	154	209	6177	3828	3828
PREMIUM Distribution 210.19D	04.1996 -	155	210	6177	3498	
PREMIUM Distribution 210.19D	04.1996 -	155	210	6177	3770	
PREMIUM Distribution 210.19D	04.1996 -	155	210	6177	3828	
PREMIUM Distribution 210.19D	04.1996 -	155	210	6177	3828	3828
PREMIUM Distribution 250.16	04.1996 -	184	250	6177	3497	
PREMIUM Distribution 250.16	04.1996 -	184	250	6177	3498	
PREMIUM Distribution 250.16	04.1996 -	184	250	6177	3770	
PREMIUM Distribution 250.16	04.1996 -	184	250	6177	3828	
PREMIUM Distribution 250.16	04.1996 -	184	250	6177	3828	3828
PREMIUM Distribution 250.18D	04.1996 -	184	250	6180	3497	
PREMIUM Distribution 250.18D	04.1996 -	184	250	6180	3498	
PREMIUM Distribution 250.18D	04.1996 -	184	250	6180	3770	
PREMIUM Distribution 250.18D	04.1996 -	184	250	6180	3828	
PREMIUM Distribution 250.18D	04.1996 -	184	250	6180	3828	3828
PREMIUM Distribution 250.19	04.1996 -	184	250	6177	3497	
PREMIUM Distribution 250.19	04.1996 -	184	250	6177	3498	
PREMIUM Distribution 250.19	04.1996 -	184	250	6177	3770	
PREMIUM Distribution 250.19	04.1996 -	184	250	6177	3828	
PREMIUM Distribution 250.19	04.1996 -	184	250	6177	3828	3828
PREMIUM Distribution 260.16	04.1996 -	188	256	9839	3497	
PREMIUM Distribution 260.16	04.1996 -	188	256	9839	3498	
PREMIUM Distribution 260.16	04.1996 -	188	256	9839	3770	
PREMIUM Distribution 260.16	04.1996 -	188	256	9839	3828	
PREMIUM Distribution 260.16	04.1996 -	188	256	9839	3828	3828
PREMIUM Distribution 260.18	04.1996 -	188	256	9839	3497	
PREMIUM Distribution 260.18	04.1996 -	188	256	9839	3498	
PREMIUM Distribution 260.18	04.1996 -	188	256	9839	3770	
PREMIUM Distribution 260.18	04.1996 -	188	256	9839	3828	
PREMIUM Distribution 260.18	04.1996 -	188	256	9839	3828	3828
PREMIUM Distribution 260.19	04.1996 -	188	256	9839	3497	
PREMIUM Distribution 260.19	04.1996 -	188	256	9839	3498	
PREMIUM Distribution 260.19	04.1996 -	188	256	9839	3770	
PREMIUM Distribution 260.19	04.1996 -	188	256	9839	3828	
PREMIUM Distribution 260.19	04.1996 -	188	256	9839	3828	3828
PREMIUM Distribution 270.18	08.2000 -	195	265	6177	3828	
PREMIUM Distribution 270.18	08.2000 -	195	265	6177	3828	3828
PREMIUM Distribution 300.16D	04.1996 -	219	298	9839	3497	
PREMIUM Distribution 300.16D	04.1996 -	219	298	9839	3498	
PREMIUM Distribution 300.16D	04.1996 -	219	298	9839	3770	
PREMIUM Distribution 300.16D	04.1996 -	219	298	9839	3828	
PREMIUM Distribution 300.16D	04.1996 -	219	298	9839	3828	3828
PREMIUM Distribution 300.16T	04.1996 -	219	298	9839	3497	
PREMIUM Distribution 300.16T	04.1996 -	219	298	9839	3498	
PREMIUM Distribution 300.16T	04.1996 -	219	298	9839	3770	
PREMIUM Distribution 300.16T	04.1996 -	219	298	9839	3828	
PREMIUM Distribution 300.16T	04.1996 -	219	298	9839	3828	3828
PREMIUM Distribution 300.18D	04.1996 -	219	298	9839	3497	
PREMIUM Distribution 300.18D	04.1996 -	219	298	9839	3498	
PREMIUM Distribution 300.18D	04.1996 -	219	298	9839	3770	
PREMIUM Distribution 300.18D	04.1996 -	219	298	9839	3828	
PREMIUM Distribution 300.18D	04.1996 -	219	298	9839	3828	3828
PREMIUM Distribution 300.18D/T	04.1996 -	219	298	9839	3497	
PREMIUM Distribution 300.18D/T	04.1996 -	219	298	9839	3498	
PREMIUM Distribution 300.18D/T	04.1996 -	219	298	9839	3770	
PREMIUM Distribution 300.18D/T	04.1996 -	219	298	9839	3828	
PREMIUM Distribution 300.18D/T	04.1996 -	219	298	9839	3828	3828
PREMIUM Distribution 300.19	04.1996 -	219	298	9839	3497	
PREMIUM Distribution 300.19	04.1996 -	219	298	9839	3498	
PREMIUM Distribution 300.19	04.1996 -	219	298	9839	3770	
PREMIUM Distribution 300.19	04.1996 -	219	298	9839	3828	
PREMIUM Distribution 300.19	04.1996 -	219	298	9839	3828	3828
PREMIUM Distribution 300.19D/T	04.1996 -	219	298	9839	3497	
PREMIUM Distribution 300.19D/T	04.1996 -	219	298	9839	3498	
PREMIUM Distribution 300.19D/T	04.1996 -	219	298	9839	3770	
PREMIUM Distribution 300.19D/T	04.1996 -	219	298	9839	3828	
PREMIUM Distribution 300.19D/T	04.1996 -	219	298	9839	3828	3828

**MAKE & MODEL****YEAR****KW****PS****CC****RENAULT TRUCKS**

PREMIUM Distribution 300.26D	04.1996 -	219	298	9839	3497	
PREMIUM Distribution 300.26D	04.1996 -	219	298	9839	3498	
PREMIUM Distribution 300.26D	04.1996 -	219	298	9839	3770	
PREMIUM Distribution 300.26D	04.1996 -	219	298	9839	3828	
PREMIUM Distribution 300.26D	04.1996 -	219	298	9839	3828	3828
PREMIUM Distribution 320.18	08.2000 -	230	313	11100	3828	
PREMIUM Distribution 320.18	08.2000 -	230	313	11100	3828	3828
PREMIUM Distribution 320.18 D	08.2000 -	230	313	11100	3828	
PREMIUM Distribution 320.18 D	08.2000 -	230	313	11100	3828	3828
PREMIUM Distribution 320.24D	08.2000 -	230	313	11100	3828	
PREMIUM Distribution 320.24D	08.2000 -	230	313	11100	3828	3828
PREMIUM Distribution 320.26D	08.2000 -	230	313	11100	3498	
PREMIUM Distribution 320.26D	08.2000 -	230	313	11100	3770	
PREMIUM Distribution 320.26D	08.2000 -	230	313	11100	3828	
PREMIUM Distribution 320.26D	08.2000 -	230	313	11100	3828	3828
PREMIUM Distribution 340.18D	04.1996 -	249	339	9839	3497	
PREMIUM Distribution 340.18D	04.1996 -	249	339	9839	3498	
PREMIUM Distribution 340.18D	04.1996 -	249	339	9839	3770	
PREMIUM Distribution 340.18D	04.1996 -	249	339	9839	3828	
PREMIUM Distribution 340.18D	04.1996 -	249	339	9839	3828	3828
PREMIUM Distribution 340.18D/T	04.1996 -	249	339	9839	3497	
PREMIUM Distribution 340.18D/T	04.1996 -	249	339	9839	3498	
PREMIUM Distribution 340.18D/T	04.1996 -	249	339	9839	3770	
PREMIUM Distribution 340.18D/T	04.1996 -	249	339	9839	3828	
PREMIUM Distribution 340.18D/T	04.1996 -	249	339	9839	3828	3828
PREMIUM Distribution 340.19D	04.1996 -	249	339	9839	3497	
PREMIUM Distribution 340.19D	04.1996 -	249	339	9839	3498	
PREMIUM Distribution 340.19D	04.1996 -	249	339	9839	3770	
PREMIUM Distribution 340.19D	04.1996 -	249	339	9839	3828	
PREMIUM Distribution 340.19D	04.1996 -	249	339	9839	3828	3828
PREMIUM Distribution 340.19D/T	04.1996 -	249	339	9839	3497	
PREMIUM Distribution 340.19D/T	04.1996 -	249	339	9839	3498	
PREMIUM Distribution 340.19D/T	04.1996 -	249	339	9839	3770	
PREMIUM Distribution 340.19D/T	04.1996 -	249	339	9839	3828	
PREMIUM Distribution 340.19D/T	04.1996 -	249	339	9839	3828	3828
PREMIUM Distribution 340.26D	04.1996 -	249	339	9839	3497	
PREMIUM Distribution 340.26D	04.1996 -	249	339	9839	3498	
PREMIUM Distribution 340.26D	04.1996 -	249	339	9839	3770	
PREMIUM Distribution 340.26D	04.1996 -	249	339	9839	3828	
PREMIUM Distribution 340.26D	04.1996 -	249	339	9839	3828	3828
PREMIUM Distribution 370.18	08.2000 -	266	362	11100	3828	
PREMIUM Distribution 370.18	08.2000 -	266	362	11100	3828	3828
PREMIUM Distribution 370.18D	08.2000 -	266	362	11100	3828	
PREMIUM Distribution 370.18D	08.2000 -	266	362	11100	3828	3828
PREMIUM Distribution 370.24D	08.2000 -	266	362	11100	3828	
PREMIUM Distribution 370.24D	08.2000 -	266	362	11100	3828	3828
PREMIUM Distribution 370.26D	08.2000 -	266	362	11100	3498	
PREMIUM Distribution 370.26D	08.2000 -	266	362	11100	3770	
PREMIUM Distribution 370.26D	08.2000 -	266	362	11100	3828	
PREMIUM Distribution 370.26D	08.2000 -	266	362	11100	3828	3828
PREMIUM Distribution 400.18D	01.2000 -	288	392	11100	3770	
PREMIUM Distribution 400.18D	01.2000 -	288	392	11100	3828	
PREMIUM Distribution 400.18D	01.2000 -	288	392	11100	3828	3828
PREMIUM Distribution 400.18D/T	01.2000 -	288	392	11100	3770	
PREMIUM Distribution 400.18D/T	01.2000 -	288	392	11100	3828	
PREMIUM Distribution 400.18D/T	01.2000 -	288	392	11100	3828	3828
PREMIUM Distribution 420.18	08.2000 -	303	412	11100	3828	
PREMIUM Distribution 420.18	08.2000 -	303	412	11100	3828	3828
PREMIUM Distribution 420.18D	08.2000 -	303	412	11100	3828	
PREMIUM Distribution 420.18D	08.2000 -	303	412	11100	3828	3828
PREMIUM Route 300.16	09.1996 -	219	298	9839	3497	
PREMIUM Route 300.16	09.1996 -	219	298	9839	3498	
PREMIUM Route 300.16	09.1996 -	219	298	9839	3770	
PREMIUM Route 300.16	09.1996 -	219	298	9839	3828	
PREMIUM Route 300.16	09.1996 -	219	298	9839	3828	3828
PREMIUM Route 300.18	09.1996 -	219	298	9839	3497	
PREMIUM Route 300.18	09.1996 -	219	298	9839	3498	

**MAKE & MODEL****YEAR****KW****PS****CC****RENAULT TRUCKS**

PREMIUM Route 300.18	09.1996 -	219	298	9839	3770	
PREMIUM Route 300.18	09.1996 -	219	298	9839	3828	
PREMIUM Route 300.18	09.1996 -	219	298	9839	3828	3828
PREMIUM Route 300.18T	09.1996 -	219	298	9839	3497	
PREMIUM Route 300.18T	09.1996 -	219	298	9839	3498	
PREMIUM Route 300.18T	09.1996 -	219	298	9839	3770	
PREMIUM Route 300.18T	09.1996 -	219	298	9839	3828	
PREMIUM Route 300.18T	09.1996 -	219	298	9839	3828	3828
PREMIUM Route 300.19	09.1996 -	219	298	9839	3497	
PREMIUM Route 300.19	09.1996 -	219	298	9839	3498	
PREMIUM Route 300.19	09.1996 -	219	298	9839	3770	
PREMIUM Route 300.19	09.1996 -	219	298	9839	3828	
PREMIUM Route 300.19	09.1996 -	219	298	9839	3828	3828
PREMIUM Route 300.19T	09.1996 -	219	298	9839	3497	
PREMIUM Route 300.19T	09.1996 -	219	298	9839	3498	
PREMIUM Route 300.19T	09.1996 -	219	298	9839	3770	
PREMIUM Route 300.19T	09.1996 -	219	298	9839	3828	
PREMIUM Route 300.19T	09.1996 -	219	298	9839	3828	3828
PREMIUM Route 320.18	08.2000 -	230	313	11100	3828	
PREMIUM Route 320.18	08.2000 -	230	313	11100	3828	3828
PREMIUM Route 340.18	04.1996 -	249	339	9839	3497	
PREMIUM Route 340.18	04.1996 -	249	339	9839	3498	
PREMIUM Route 340.18	04.1996 -	249	339	9839	3770	
PREMIUM Route 340.18	04.1996 -	249	339	9839	3828	
PREMIUM Route 340.18	04.1996 -	249	339	9839	3828	3828
PREMIUM Route 340.18T	04.1996 -	249	339	9839	3497	
PREMIUM Route 340.18T	04.1996 -	249	339	9839	3498	
PREMIUM Route 340.18T	04.1996 -	249	339	9839	3770	
PREMIUM Route 340.18T	04.1996 -	249	339	9839	3828	
PREMIUM Route 340.18T	04.1996 -	249	339	9839	3828	3828
PREMIUM Route 340.19	04.1996 -	249	339	9839	3497	
PREMIUM Route 340.19	04.1996 -	249	339	9839	3498	
PREMIUM Route 340.19	04.1996 -	249	339	9839	3770	
PREMIUM Route 340.19	04.1996 -	249	339	9839	3828	
PREMIUM Route 340.19	04.1996 -	249	339	9839	3828	3828
PREMIUM Route 340.19T	04.1996 -	249	339	9839	3497	
PREMIUM Route 340.19T	04.1996 -	249	339	9839	3498	
PREMIUM Route 340.19T	04.1996 -	249	339	9839	3770	
PREMIUM Route 340.19T	04.1996 -	249	339	9839	3828	
PREMIUM Route 340.19T	04.1996 -	249	339	9839	3828	3828
PREMIUM Route 340.24	04.1996 -	249	339	9839	3497	
PREMIUM Route 340.24	04.1996 -	249	339	9839	3498	
PREMIUM Route 340.24	04.1996 -	249	339	9839	3770	
PREMIUM Route 340.24	04.1996 -	249	339	9839	3828	
PREMIUM Route 340.24	04.1996 -	249	339	9839	3828	3828
PREMIUM Route 340.26	04.1996 -	249	339	9839	3497	
PREMIUM Route 340.26	04.1996 -	249	339	9839	3498	
PREMIUM Route 340.26	04.1996 -	249	339	9839	3770	
PREMIUM Route 340.26	04.1996 -	249	339	9839	3828	
PREMIUM Route 340.26	04.1996 -	249	339	9839	3828	3828
PREMIUM Route 370.18	08.2000 -	266	362	11100	3828	
PREMIUM Route 370.18	08.2000 -	266	362	11100	3828	3828
PREMIUM Route 370.24	08.2000 -	266	362	11100	3828	
PREMIUM Route 370.24	08.2000 -	266	362	11100	3828	3828
PREMIUM Route 370.26	08.2000 -	266	362	11100	3828	
PREMIUM Route 370.26	08.2000 -	266	362	11100	3828	3828
PREMIUM Route 385.18,400.18	04.1996 -	280	381	11100	3497	
PREMIUM Route 385.18,400.18	04.1996 -	280	381	11100	3498	
PREMIUM Route 385.18,400.18	04.1996 -	280	381	11100	3770	
PREMIUM Route 385.18,400.18	04.1996 -	280	381	11100	3828	
PREMIUM Route 385.18,400.18	04.1996 -	280	381	11100	3828	3828
PREMIUM Route 385.18T,400.18T	04.1996 -	280	381	11100	3497	
PREMIUM Route 385.18T,400.18T	04.1996 -	280	381	11100	3498	
PREMIUM Route 385.18T,400.18T	04.1996 -	280	381	11100	3770	
PREMIUM Route 385.18T,400.18T	04.1996 -	280	381	11100	3828	
PREMIUM Route 385.18T,400.18T	04.1996 -	280	381	11100	3828	3828
PREMIUM Route 385.19,400.19	04.1996 -	280	381	11100	3497	

**MAKE & MODEL****YEAR****KW****PS****CC****RENAULT TRUCKS**

PREMIUM Route 385.19,400.19	04.1996 -	280	381	11100	3498	
PREMIUM Route 385.19,400.19	04.1996 -	280	381	11100	3770	
PREMIUM Route 385.19,400.19	04.1996 -	280	381	11100	3828	
PREMIUM Route 385.19,400.19	04.1996 -	280	381	11100	3828	3828
PREMIUM Route 385.19T,400.19T	04.1996 -	280	381	11100	3497	
PREMIUM Route 385.19T,400.19T	04.1996 -	280	381	11100	3498	
PREMIUM Route 385.19T,400.19T	04.1996 -	280	381	11100	3770	
PREMIUM Route 385.19T,400.19T	04.1996 -	280	381	11100	3828	
PREMIUM Route 385.19T,400.19T	04.1996 -	280	381	11100	3828	3828
PREMIUM Route 385.24,400.24	04.1996 -	280	381	11100	3497	
PREMIUM Route 385.24,400.24	04.1996 -	280	381	11100	3498	
PREMIUM Route 385.24,400.24	04.1996 -	280	381	11100	3770	
PREMIUM Route 385.24,400.24	04.1996 -	280	381	11100	3828	
PREMIUM Route 385.24,400.24	04.1996 -	280	381	11100	3828	3828
PREMIUM Route 385.24T,400.24T	09.1996 -	280	381	11100	3497	
PREMIUM Route 385.24T,400.24T	09.1996 -	280	381	11100	3498	
PREMIUM Route 385.24T,400.24T	09.1996 -	280	381	11100	3770	
PREMIUM Route 385.24T,400.24T	09.1996 -	280	381	11100	3828	
PREMIUM Route 385.24T,400.24T	09.1996 -	280	381	11100	3828	3828
PREMIUM Route 385.26	04.1996 -	280	381	11100	3497	
PREMIUM Route 385.26	04.1996 -	280	381	11100	3498	
PREMIUM Route 385.26	04.1996 -	280	381	11100	3770	
PREMIUM Route 385.26	04.1996 -	280	381	11100	3828	
PREMIUM Route 385.26	04.1996 -	280	381	11100	3828	3828
PREMIUM Route 385.26,400.26	04.1996 -	280	381	11100	3497	
PREMIUM Route 385.26,400.26	04.1996 -	280	381	11100	3498	
PREMIUM Route 385.26,400.26	04.1996 -	280	381	11100	3770	
PREMIUM Route 385.26,400.26	04.1996 -	280	381	11100	3828	
PREMIUM Route 385.26,400.26	04.1996 -	280	381	11100	3828	3828
PREMIUM Route 420.18	08.2000 -	303	412	11100	3828	
PREMIUM Route 420.18	08.2000 -	303	412	11100	3828	3828
PREMIUM Route 420.18T	08.2000 -	303	412	11100	3828	
PREMIUM Route 420.18T	08.2000 -	303	412	11100	3828	3828
PREMIUM Route 420.24	08.2000 -	303	412	11100	3828	
PREMIUM Route 420.24	08.2000 -	303	412	11100	3828	3828
PREMIUM Route 420.25	08.2000 -	303	412	11100	3828	
PREMIUM Route 420.25	08.2000 -	303	412	11100	3828	3828
PREMIUM Route 420.26	08.2000 -	303	412	11100	3828	
PREMIUM Route 420.26	08.2000 -	303	412	11100	3828	3828
T 380P LOW	01.2013 -	280	380	10837	3917	3917
T 380P, 380P LOW	01.2013 -	280	380	10837	3917	3917
T 380T LOW, 380T TAG	01.2013 -	280	380	10837	3917	3917
T 380T PUS	01.2013 -	280	380	10837	3917	3917
T 380T, 380T LOW, 380T X-LOW	01.2013 -	280	380	10837	3917	3917
T 430P LOW	01.2013 -	316	430	10837	3917	3917
T 430P, 430P LOW	01.2013 -	316	430	10837	3917	3917
T 430T PUS	01.2013 -	316	430	10837	3917	3917
T 430T TAG, 430T LOW	01.2013 -	316	430	10837	3917	3917
T 430T, 430T LOW, 430T X-LOW	01.2013 -	316	430	10837	3917	3917
T 440P LOW	01.2013 -	323	439	12777	3917	3917
T 440P, 440P LOW	01.2013 -	323	439	12777	3917	3917
T 440T LOW, 440T TAG	01.2013 -	323	439	12777	3917	3917
T 440T PUS	01.2013 -	323	439	12777	3917	3917
T 440T, 440T LOW, 440T X-LOW	01.2013 -	323	439	12777	3917	3917
T 460P LOW	01.2013 -	338	460	10837	3917	3917
T 460P, 460P LOW	01.2013 -	338	460	10837	3917	3917
T 460T LOW, 460T TAG	01.2013 -	338	460	10837	3917	3917
T 460T PUS	01.2013 -	338	460	10837	3917	3917
T 460T, 460T LOW, 460T X-LOW	01.2013 -	338	460	10837	3917	3917
T 480P LOW	01.2013 -	353	480	12777	3917	3917
T 480P, 480P LOW	01.2013 -	353	480	12777	3917	3917
T 480T LOW, 480T TAG	01.2013 -	353	480	12777	3917	3917
T 480T PUS	01.2013 -	353	480	12777	3917	3917
T 480T, 480T LOW, 480T X-LOW	01.2013 -	353	480	12777	3917	3917
T 520P LOW	01.2013 -	382	520	12777	3917	3917
T 520P, 520P LOW	01.2013 -	382	520	12777	3917	3917
T 520T LOW, 520T TAG	01.2013 -	382	520	12777	3917	3917



**MAKE & MODEL****YEAR****KW****PS****CC****RENAULT TRUCKS**

T 520T PUS	01.2013 -	382	520	12777	3917	3917
T 520T, 520T LOW, 520T X-LOW	01.2013 -	382	520	12777	3917	3917

**SAF**

Intradisc Plus-"IO"	09.00-	---	---	---		4359
Intradisc Plus-"IU"	09.00-	---	---	---		4359
Intradisc Plus-"IO"	08.00-	---	---	---		4359
Intradisc Plus-"IU"	08.00-	---	---	---		4359
Intradisc Plus-"PO"	01.99-10.00	---	---	---		4359
Intradisc Plus-"PO"	02.00-10.00	---	---	---		4359
Intradisc Plus-"PU"	01.99-10.00	---	---	---		4359
Intradisc Plus-"PU"	02.99-10.00	---	---	---		4359
SK -SKRZ 11222 K	02.98-	---	---	---		4359
SK -SKRZ 9022 K	02.98-	---	---	---		4359
SKRB -SKRB 9022 K	01.53-	---	---	---		4359
SKRS -SKRS 11222 K	12.92-	---	---	---		4359
SKRS -SKRS 9022 K	12.92-	---	---	---		4359
SKRLB SKRLB 9022 W	---	---	---	---		3839
SKRS SKRS 11222 W	---	---	---	---		3839
SKRS SKRS 9022 W	---	---	---	---		3839
SKRZ SKRZ 11222 W	---	---	---	---		3839
SKRZ SKRZ 9022 W	---	---	---	---		3839
SKRLB SKRLB 9022 WI Integral	---	---	---	---		3839
SAF - SK - SKRZ 11222 K	---	---	---	---		4243
SAF - SK - SKRZ 9022 K	---	---	---	---		4243
SAF - SKRB - SKRB 9022 K	---	---	---	---		4243
SAF - SKRB - SKRB 9022 K 01 (SN7)	---	---	---	---		4243
SAF - SKRB - SKRB 9022 KI (SN7) Integral	---	---	---	---		4243
SAF - SKRB - SKRB 9022 KI 01 (SN7) Integral	---	---	---	---		4243
SAF - SKRLB - SKRLB 9022 K (SN7)	---	---	---	---		4243
SAF - SKRLB - SKRLB 9022 K 01 (SN7)	---	---	---	---		4243
SAF - SKRLB - SKRLB 9022 KI (SN7) Integral	---	---	---	---		4243
SAF - SKRLB - SKRLB 9022 KI 01 (SN7) Integra	---	---	---	---		4243
SAF - SKRS - SKRS 11222 K	---	---	---	---		4243
SAF - SKRS - SKRS 9022 K	---	---	---	---		4243
SAF - SKRZ - SKRZ 11222 K	---	---	---	---		4243
SAF - SKRZ - SKRZ 9022 K (SN7)	---	---	---	---		4243

**SCANIA**

4 - series 114 C/330	01.1999 - 09.2004	242	329	10640	4091	4091
4 - series 114 C/330	05.1996 - 04.2008	237	322	10640	4091	4091
4 - series 114 C/330	05.1996 - 04.2008	237	322	10640	3664	3664
4 - series 114 C/340	01.1996 - 12.1999	250	340	11000	4091	4091
4 - series 114 C/340	03.1998 - 04.2008	250	340	10640	4091	4091
4 - series 114 C/340	03.1998 - 04.2008	250	340	10640	3664	3664
4 - series 114 C/340	05.1996 - 04.2008	250	340	10640	4091	4091
4 - series 114 C/340	05.1996 - 04.2008	250	340	10640	3664	3664
4 - series 114 C/340	05.1996 - 04.2008	250	340	11000	4091	4091
4 - series 114 C/340	05.1996 - 04.2008	250	340	11000	3664	3664
4 - series 114 C/360	01.1996 - 09.2004	265	360	11020	4091	4091
4 - series 114 C/360	01.2000 - 04.2008	265	360	11700	4091	4091
4 - series 114 C/380	03.1998 - 04.2008	279	379	10640	4091	4091
4 - series 114 C/380	03.1998 - 04.2008	279	379	10640	3664	3664
4 - series 114 C/380	03.1998 - 04.2008	279	380	10640	4091	4091
4 - series 114 C/380	03.1998 - 04.2008	279	380	10640	3664	3664
4 - series 114 C/380	03.1998 - 04.2008	280	380	10640	4091	4091
4 - series 114 C/380	03.1998 - 04.2008	280	380	10640	3664	3664
4 - series 114 C/380	03.1998 - 04.2008	280	381	10640	4091	4091
4 - series 114 C/380	03.1998 - 04.2008	280	381	10640	3664	3664
4 - series 114 G/320	01.1999 - 09.2004	236	321	11020	4091	4091
4 - series 114 G/320	01.2001 - 04.2008	237	322	10640	4091	4091
4 - series 114 G/330	01.1999 - 09.2004	242	329	10640	4091	4091
4 - series 114 G/330	01.2004 - 04.2008	229	311	11020	4091	4091
4 - series 114 G/340	03.1998 - 04.2008	250	340	10640	4091	4091
4 - series 114 G/340	03.1998 - 04.2008	250	340	10640	3664	3664
4 - series 114 G/340	05.1996 - 04.2008	250	340	10640	4091	4091
4 - series 114 G/340	05.1996 - 04.2008	250	340	10640	3664	3664
4 - series 114 G/340	05.1996 - 04.2008	250	340	11000	4091	4091



**MAKE & MODEL****YEAR****KW****PS****CC****SCANIA**

4 - series 114 G/340	05.1996 - 04.2008	250	340	11000	3664	3664
4 - series 114 G/380	01.2005 - 04.2008	280	381	11700	4091	4091
4 - series 114 G/380	03.1998 - 04.2008	279	379	10640	4091	4091
4 - series 114 G/380	03.1998 - 04.2008	279	379	10640	3664	3664
4 - series 114 G/380	03.1998 - 04.2008	279	380	10640	4091	4091
4 - series 114 G/380	03.1998 - 04.2008	279	380	10640	3664	3664
4 - series 114 G/380	03.1998 - 04.2008	280	381	10640	4091	4091
4 - series 114 G/380	03.1998 - 04.2008	280	381	10640	3664	3664
4 - series 114 L/330	01.1999 - 09.2004	242	329	10640	4091	4091
4 - series 114 L/340	01.1996 - 09.2004	250	340	10640	4091	4091
4 - series 114 L/340	03.1998 - 04.2008	250	340	10640	4091	4091
4 - series 114 L/340	03.1998 - 04.2008	250	340	10640	3664	3664
4 - series 114 L/340	05.1996 - 04.2006	250	340	11000	4091	4091
4 - series 114 L/340	05.1996 - 04.2006	250	340	11000	3664	3664
4 - series 114 L/340	05.1996 - 04.2008	250	340	10600	4091	4091
4 - series 114 L/340	05.1996 - 04.2008	250	340	10600	3664	3664
4 - series 114 L/340	05.1996 - 04.2008	250	340	10640	4091	4091
4 - series 114 L/340	05.1996 - 04.2008	250	340	10640	3664	3664
4 - series 114 L/340	05.1996 - 04.2008	250	340	11000	4091	4091
4 - series 114 L/340	05.1996 - 04.2008	250	340	11000	3664	3664
4 - series 114 L/380	01.1996 - 09.2004	279	379	10640	4091	4091
4 - series 114 L/380	01.2005 - 04.2008	279	380	11700	4091	4091
4 - series 114 L/380	03.1998 - 04.2008	279	379	10640	4091	4091
4 - series 114 L/380	03.1998 - 04.2008	279	379	10640	3664	3664
4 - series 114 L/380	03.1998 - 04.2008	279	380	10640	4091	4091
4 - series 114 L/380	03.1998 - 04.2008	279	380	10640	3664	3664
4 - series 114 L/380	03.1998 - 04.2008	280	381	10640	4091	4091
4 - series 114 L/380	03.1998 - 04.2008	280	381	10640	3664	3664
4 - series 114 L/380	03.1998 - 04.2008	280	381	11700	4091	4091
4 - series 124 /G420	05.1996 - 04.2008	309	420	11700	4091	4091
4 - series 124 /G420	05.1996 - 04.2008	309	420	11700	3664	3664
4 - series 124 C/360	01.1996 - 12.1999	265	360	11700	4091	4091
4 - series 124 C/360	05.1996 - 04.2008	265	360	11700	4091	4091
4 - series 124 C/360	05.1996 - 04.2008	265	360	11700	3664	3664
4 - series 124 C/360	09.1996 - 04.2008	265	360	11700	3664	
4 - series 124 C/360	09.1996 - 04.2008	265	360	11700	4091	4091
4 - series 124 C/400	01.1996 - 09.2004	294	400	11700	4091	4091
4 - series 124 C/400	09.1996 - 04.2008	294	400	11700	4091	4091
4 - series 124 C/400	09.1996 - 04.2008	294	400	11700	3664	3664
4 - series 124 C/420	05.1996 - 04.2008	309	420	11700	4091	4091
4 - series 124 C/420	05.1996 - 04.2008	309	420	11700	3664	3664
4 - series 124 C/420	06.2000 - 09.2004	309	420	11700	4091	4091
4 - series 124 C/440	01.1999 - 09.2004	324	441	11716	4091	4091
4 - series 124 C/470	01.1999 - 09.2004	346	470	11716	4091	4091
4 - series 124 C/470	01.2000 - 04.2008	345	469	11716	4091	4091
4 - series 124 C/470	01.2000 - 04.2008	345	469	11716	3664	3664
4 - series 124 G/360	05.1996 - 04.2008	265	360	11700	4091	4091
4 - series 124 G/360	05.1996 - 04.2008	265	360	11700	3664	3664
4 - series 124 G/400	05.1996 - 04.2008	294	400	11700	4091	4091
4 - series 124 G/400	05.1996 - 04.2008	294	400	11700	3664	3664
4 - series 124 G/420	05.1996 - 04.2008	309	420	11700	4091	4091
4 - series 124 G/420	05.1996 - 04.2008	309	420	11700	3664	3664
4 - series 124 G/440	01.1999 - 09.2004	324	440	11716	4091	4091
4 - series 124 G/440	01.1999 - 09.2004	324	441	11716	4091	4091
4 - series 124 G/470	01.1999 - 09.2004	346	470	11700	4091	4091
4 - series 124 G/470	01.1999 - 09.2004	346	470	11716	4091	4091
4 - series 124 G/470	01.2000 - 04.2008	345	469	11716	4091	4091
4 - series 124 G/470	01.2000 - 04.2008	345	469	11716	3664	3664
4 - series 124 L/360	09.1996 - 04.2008	265	360	11700	4091	4091
4 - series 124 L/360	09.1996 - 04.2008	265	360	11700	3664	3664
4 - series 124 L/400	09.1996 - 04.2008	294	400	11700	4091	4091
4 - series 124 L/400	09.1996 - 04.2008	294	400	11700	3664	3664
4 - series 124 L/420	05.1996 - 04.2008	308	419	11700		3664
4 - series 124 L/420	05.1996 - 04.2008	308	419	11700	4091	4091
4 - series 124 L/420	05.1996 - 04.2008	308	419	11700	3664	3664
4 - series 124 L/420	05.1996 - 04.2008	309	420	11700	4091	4091
4 - series 124 L/420	05.1996 - 04.2008	309	420	11700	3664	3664

**MAKE & MODEL****YEAR****KW****PS****CC****SCANIA**

4 - series 124 L/420	09.1997 - 04.2008	308	419	11716	4091	4091
4 - series 124 L/420	09.1997 - 04.2008	308	419	11716	3664	3664
4 - series 124 L/420	09.1997 - 04.2008	309	420	11700	4091	4091
4 - series 124 L/420	09.1997 - 04.2008	309	420	11700	3664	3664
4 - series 124 L/440	01.2001 - 04.2008	324	440	11716	4091	4091
4 - series 124 L/440	01.2001 - 04.2008	324	440	11716	3664	3664
4 - series 124 L/470	01.1999 - 09.2004	346	470	11700	4091	4091
4 - series 124 L/470	01.2000 - 04.2008	345	469	11716	4091	4091
4 - series 124 L/470	01.2000 - 04.2008	345	469	11716	3664	3664
4 - series 124 L/470	01.2001 - 04.2008	345	470	11716	4091	4091
4 - series 124 L/470	01.2001 - 04.2008	345	470	11716	3664	3664
4 - series 144 C/460	01.1996 - 09.2004	338	460	14200	4091	4091
4 - series 144 C/460	09.1996 - 04.2008	338	460	14200	4091	4091
4 - series 144 C/460	09.1996 - 04.2008	338	460	14200	3664	3664
4 - series 144 C/530	01.1996 - 09.2004	390	530	14200	4091	4091
4 - series 144 C/530	09.1996 - 04.2008	390	530	14200	4091	4091
4 - series 144 C/530	09.1996 - 04.2008	390	530	14200	3664	3664
4 - series 144 G/460	01.1996 - 09.2004	338	460	14200	4091	4091
4 - series 144 G/460	04.1996 - 04.2008	338	460	14200	4091	4091
4 - series 144 G/460	04.1996 - 04.2008	338	460	14200	3664	3664
4 - series 144 G/530	01.1996 - 09.2004	390	530	14200	4091	4091
4 - series 144 G/530	04.1996 - 04.2008	390	530	14200	4091	4091
4 - series 144 G/530	04.1996 - 04.2008	390	530	14200	3664	3664
4 - series 144 L/460	11.1995 - 04.2008	338	460	14200	4091	4091
4 - series 144 L/460	11.1995 - 04.2008	338	460	14200	3664	3664
4 - series 144 L/530	01.2000 - 04.2008	390	530	14200	4091	4091
4 - series 144 L/530	01.2000 - 04.2008	390	530	14200	3664	3664
4 - series 144 L/530	10.1995 - 04.2008	390	530	14200	4091	4091
4 - series 144 L/530	11.1995 - 04.2008	390	530	14200	4091	4091
4 - series 144 L/530	11.1995 - 04.2008	390	530	14200	3664	3664
4 - series 164 C/480	01.1996 - 09.2004	353	480	15600	4091	4091
4 - series 164 C/480	05.2000 - 04.2008	353	480	15600	4091	4091
4 - series 164 C/480	05.2000 - 04.2008	353	480	15600	3664	3664
4 - series 164 C/580	01.1996 - 09.2004	427	581	15600	4091	4091
4 - series 164 C/580	05.2000 - 04.2008	426	580	15600	4091	4091
4 - series 164 C/580	05.2000 - 04.2008	426	580	15600	3664	3664
4 - series 164 G/480	01.1996 - 09.2004	353	480	15600	4091	4091
4 - series 164 G/480	01.2000 - 04.2008	353	480	15600	4091	4091
4 - series 164 G/480	01.2000 - 04.2008	353	480	15600	3664	3664
4 - series 164 G/480	05.2000 - 04.2008	353	480	15600	4091	4091
4 - series 164 G/480	05.2000 - 04.2008	353	480	15600	3664	3664
4 - series 164 G/580	01.1996 - 09.2004	427	581	15600	4091	4091
4 - series 164 G/580	01.2000 - 04.2008	426	579	15600		3664
4 - series 164 G/580	01.2000 - 04.2008	426	579	15600	4091	4091
4 - series 164 G/580	01.2000 - 04.2008	426	579	15600	3664	3664
4 - series 164 G/580	05.2000 - 04.2008	426	580	15600	4091	4091
4 - series 164 G/580	05.2000 - 04.2008	426	580	15600	3664	3664
4 - series 164 L/480	01.1996 - 09.2004	353	480	15600	4091	4091
4 - series 164 L/480	01.2000 - 04.2008	353	480	15600	4091	4091
4 - series 164 L/480	01.2000 - 04.2008	353	480	15600	3664	3664
4 - series 164 L/480	05.2000 - 04.2008	353	480	15600	4091	4091
4 - series 164 L/480	05.2000 - 04.2008	353	480	15600	3664	3664
4 - series 164 L/580	01.1996 - 09.2004	427	581	15600	4091	4091
4 - series 164 L/580	01.2000 - 04.2008	426	579	15600	4091	4091
4 - series 164 L/580	01.2000 - 04.2008	426	579	15600	3664	3664
4 - series 164 L/580	05.2000 - 04.2008	426	580	15600	4091	4091
4 - series 164 L/580	05.2000 - 04.2008	426	580	15600	3664	3664
4 - series 94 /G260	08.1996 - 04.2008	191	260	9000	4091	4091
4 - series 94 /G260	08.1996 - 04.2008	191	260	9000	3664	3664
4 - series 94 C/220	01.1996 - 12.1999	161	219	8970	4091	4091
4 - series 94 C/260	01.1996 - 09.2004	191	260	8970	4091	4091
4 - series 94 C/260	12.1996 - 04.2008	191	260	9000	4091	4091
4 - series 94 C/260	12.1996 - 04.2008	191	260	9000	3664	3664
4 - series 94 C/300	01.1999 - 09.2004	221	300	8970	4091	4091
4 - series 94 C/300	01.1999 - 09.2004	221	300	9000	4091	4091
4 - series 94 C/300	08.1996 - 04.2008	220	299	9000	4091	4091
4 - series 94 C/300	08.1996 - 04.2008	220	299	9000	3664	3664

**MAKE & MODEL****YEAR****KW****PS****CC****SCANIA**

4 - series 94 C/310	01.1996 - 12.1999	228	310	8970	4091	4091
4 - series 94 C/310	01.1996 - 12.1999	228	310	9000	4091	4091
4 - series 94 C/310	01.2005 - 04.2008	228	310	8867	4091	4091
4 - series 94 C/310	08.1996 - 04.2008	228	310	9000	4091	4091
4 - series 94 C/310	08.1996 - 04.2008	228	310	9000	3664	3664
4 - series 94 D/220	08.1996 - 04.2008	162	220	9000	4091	4091
4 - series 94 D/220	08.1996 - 04.2008	162	220	9000	3664	3664
4 - series 94 D/230	04.1999 - 04.2008	169	230	9000	4091	4091
4 - series 94 D/230	04.1999 - 04.2008	169	230	9000	3664	3664
4 - series 94 D/230	08.1999 - 04.2008	169	230	9000	4091	4091
4 - series 94 D/230	08.1999 - 04.2008	169	230	9000	3664	3664
4 - series 94 D/260	08.1996 - 04.2008	191	260	9000	4091	4091
4 - series 94 D/260	08.1996 - 04.2008	191	260	9000	3664	3664
4 - series 94 D/270	08.1996 - 04.2008	198	269	8867	4091	4091
4 - series 94 D/270	08.1996 - 04.2008	198	269	8867	3664	3664
4 - series 94 D/300	08.1996 - 04.2008	220	299	9000	4091	4091
4 - series 94 D/300	08.1996 - 04.2008	220	299	9000	3664	3664
4 - series 94 D/300	08.1996 - 04.2008	220	300	9000	4091	4091
4 - series 94 D/300	08.1996 - 04.2008	220	300	9000	3664	3664
4 - series 94 D/310	01.1998 - 04.2008	228	310	9000	4091	4091
4 - series 94 D/310	01.1998 - 04.2008	228	310	9000	3664	3664
4 - series 94 D/310	05.2004 - 12.2005	228	310	8867	4091	4091
4 - series 94 D/310	08.1996 - 04.2008	228	310	9000	4091	4091
4 - series 94 D/310	08.1996 - 04.2008	228	310	9000	3664	3664
4 - series 94 D/310	12.1996 - 04.2008	228	310	9000	4091	4091
4 - series 94 D/310	12.1996 - 04.2008	228	310	9000	3664	3664
4 - series 94 G/220	01.1998 - 04.2008	162	220	9000	4091	4091
4 - series 94 G/220	01.1998 - 04.2008	162	220	9000	3664	3664
4 - series 94 G/220	08.1996 - 04.2008	162	220	9000	4091	4091
4 - series 94 G/220	08.1996 - 04.2008	162	220	9000	3664	3664
4 - series 94 G/230	01.1998 - 09.2004	169	230	8970	4091	4091
4 - series 94 G/260	01.1996 - 09.2004	191	260	8970	4091	4091
4 - series 94 G/260	01.1998 - 04.2008	191	260	9000	4091	4091
4 - series 94 G/260	01.1998 - 04.2008	191	260	9000	3664	3664
4 - series 94 G/260	08.1996 - 04.2008	191	260	9000	4091	4091
4 - series 94 G/260	08.1996 - 04.2008	191	260	9000	3664	3664
4 - series 94 G/270	01.1996 - 09.2004	199	271	8867	4091	4091
4 - series 94 G/300	01.1999 - 09.2004	221	300	8970	4091	4091
4 - series 94 G/300	01.1999 - 09.2004	221	300	9000	4091	4091
4 - series 94 G/300	01.2004 - 04.2008	198	269	8867	4091	4091
4 - series 94 G/310	01.1996 - 12.1999	228	310	8970	4091	4091
4 - series 94 G/310	08.1996 - 04.2008	228	310	9000	4091	4091
4 - series 94 G/310	08.1996 - 04.2008	228	310	9000	3664	3664
4 - series 94 L/260	01.1996 - 09.2004	191	260	8970	4091	4091
4 - series 94 L/300	01.1999 - 09.2004	221	300	8970	4091	4091
4 - series 94 L/300	01.1999 - 09.2004	221	300	9000	4091	4091
4 - series 94 L/310	01.1996 - 12.1999	228	310	9000	4091	4091
4 - series 94 L/310	08.1996 - 04.2008	228	310	9000	4091	4091
4 - series 94 L/310	08.1996 - 04.2008	228	310	9000	3664	3664
4 - series bus 94 CL/230 Ethanol	01.2005 - 09.2010	169	230	9000	4091	4091
4 - series bus 94 CL/300	01.1999 - 09.2010	220	299	9000	4091	4091
4 - series T 114 C/340	03.1998 - 04.2008	250	340	10640	4091	4091
4 - series T 114 C/340	03.1998 - 04.2008	250	340	10640	3664	3664
4 - series T 114 C/340	03.1998 - 04.2008	250	340	11000	4091	4091
4 - series T 114 C/340	05.1996 - 04.2008	250	340	10640	4091	4091
4 - series T 114 C/340	05.1996 - 04.2008	250	340	10640	3664	3664
4 - series T 114 C/340	05.1996 - 04.2008	250	340	11000	4091	4091
4 - series T 114 C/380	03.1998 - 04.2008	279	380	10640	4091	4091
4 - series T 114 C/380	03.1998 - 04.2008	279	380	10640	3664	3664
4 - series T 114 C/380	03.1998 - 04.2008	280	380	10640	4091	4091
4 - series T 114 C/380	03.1998 - 04.2008	280	380	10640	3664	3664
4 - series T 114 G/340	03.1998 - 04.2008	250	340	10640	4091	4091
4 - series T 114 G/340	03.1998 - 04.2008	250	340	10640	3664	3664
4 - series T 114 G/340	05.1996 - 04.2008	250	340	10640	4091	4091
4 - series T 114 G/340	05.1996 - 04.2008	250	340	10640	3664	3664
4 - series T 114 G/340	05.1996 - 04.2008	250	340	11000	4091	4091
4 - series T 114 G/340	05.1996 - 04.2008	250	340	11000	3664	3664

**MAKE & MODEL****YEAR****KW****PS****CC****SCANIA**

4 - series T 114 G/380	03.1998 - 04.2008	279	379	10640	4091	4091
4 - series T 114 G/380	03.1998 - 04.2008	279	379	10640	3664	3664
4 - series T 114 G/380	03.1998 - 04.2008	280	380	10640	4091	4091
4 - series T 114 G/380	03.1998 - 04.2008	280	380	10640	3664	3664
4 - series T 114 L/340	03.1998 - 04.2008	250	340	10640	4091	4091
4 - series T 114 L/340	03.1998 - 04.2008	250	340	10640	3664	3664
4 - series T 114 L/340	05.1996 - 04.2008	250	340	10640	4091	4091
4 - series T 114 L/340	05.1996 - 04.2008	250	340	10640	3664	3664
4 - series T 114 L/340	05.1996 - 04.2008	250	340	11000	4091	4091
4 - series T 114 L/340	05.1996 - 04.2008	250	340	11000	3664	3664
4 - series T 114 L/380	03.1998 - 04.2008	279	380	10640	4091	4091
4 - series T 114 L/380	03.1998 - 04.2008	279	380	10640	3664	3664
4 - series T 114 L/380	03.1998 - 04.2008	280	380	10640	4091	4091
4 - series T 114 L/380	03.1998 - 04.2008	280	380	10640	3664	3664
4 - series T 124 C/360	09.1995 - 04.2008	265	360	11700	4091	4091
4 - series T 124 C/360	09.1995 - 04.2008	265	360	11700	3664	3664
4 - series T 124 C/400	05.1996 - 04.2008	294	400	11700	4091	4091
4 - series T 124 C/400	05.1996 - 04.2008	294	400	11700	3664	3664
4 - series T 124 C/420	05.1996 - 04.2008	309	420	11700	4091	4091
4 - series T 124 C/420	05.1996 - 04.2008	309	420	11700	3664	3664
4 - series T 124 C/420	09.1997 - 04.2008	309	420	11700	4091	4091
4 - series T 124 C/420	09.1997 - 04.2008	309	420	11700	3664	3664
4 - series T 124 G/360	03.1997 - 04.2008	265	360	11700	4091	4091
4 - series T 124 G/360	03.1997 - 04.2008	265	360	11700	3664	3664
4 - series T 124 G/360	03.1998 - 12.2005	265	360	11700	4091	4091
4 - series T 124 G/400	03.1997 - 04.2008	294	400	11700	4091	4091
4 - series T 124 G/400	03.1997 - 04.2008	294	400	11700	3664	3664
4 - series T 124 G/420	05.1996 - 04.2008	309	420	11700	4091	4091
4 - series T 124 G/420	05.1996 - 04.2008	309	420	11700	3664	3664
4 - series T 124 G/420	09.1997 - 04.2008	309	420	11700	4091	4091
4 - series T 124 G/420	09.1997 - 04.2008	309	420	11700	3664	3664
4 - series T 124 L/360	02.1997 - 04.2008	265	360	11700	4091	4091
4 - series T 124 L/360	02.1997 - 04.2008	265	360	11700	3664	3664
4 - series T 124 L/360	05.1995 - 04.2008	265	360	11700	4091	4091
4 - series T 124 L/360	05.1995 - 04.2008	265	360	11700	3664	3664
4 - series T 124 L/360	09.1995 - 04.2008	265	360	11700	4091	4091
4 - series T 124 L/360	09.1995 - 04.2008	265	360	11700	3664	3664
4 - series T 124 L/400	02.1997 - 04.2008	294	400	11700	4091	4091
4 - series T 124 L/400	02.1997 - 04.2008	294	400	11700	3664	3664
4 - series T 124 L/400	05.1996 - 04.2008	294	400	11700	4091	4091
4 - series T 124 L/400	05.1996 - 04.2008	294	400	11700	3664	3664
4 - series T 124 L/420	05.1996 - 04.2008	309	420	11700	4091	4091
4 - series T 124 L/420	05.1996 - 04.2008	309	420	11700	3664	3664
4 - series T 124 L/420	09.1997 - 04.2008	309	420	11700	4091	4091
4 - series T 124 L/420	09.1997 - 04.2008	309	420	11700	3664	3664
4 - series T 124 L/470	01.2000 - 04.2008	345	469	11716	4091	4091
4 - series T 124 L/470	01.2000 - 04.2008	345	469	11716	3664	3664
4 - series T 124 L/470	01.2001 - 04.2008	345	470	11716	4091	4091
4 - series T 124 L/470	01.2001 - 04.2008	345	470	11716	3664	3664
4 - series T 144 C/460	09.1995 - 04.2008	338	460	14200	4091	4091
4 - series T 144 C/460	09.1995 - 04.2008	338	460	14200	3664	3664
4 - series T 144 C/530	09.1995 - 04.2008	390	530	14200	4091	4091
4 - series T 144 C/530	09.1995 - 04.2008	390	530	14200	3664	3664
4 - series T 144 G/460	03.1997 - 04.2008	338	460	14200	4091	4091
4 - series T 144 G/460	03.1997 - 04.2008	338	460	14200	3664	3664
4 - series T 144 G/530	03.1997 - 04.2008	390	530	14200	4091	4091
4 - series T 144 G/530	03.1997 - 04.2008	390	530	14200	3664	3664
4 - series T 144 L/460	03.1997 - 04.2008	338	460	14200	4091	4091
4 - series T 144 L/460	03.1997 - 04.2008	338	460	14200	3664	3664
4 - series T 144 L/460	09.1995 - 04.2008	338	460	14200	4091	4091
4 - series T 144 L/460	09.1995 - 04.2008	338	460	14200	3664	3664
4 - series T 144 L/530	03.1997 - 04.2008	390	530	14200	3664	
4 - series T 144 L/530	03.1997 - 04.2008	390	530	14200	4091	4091
4 - series T 144 L/530	09.1995 - 04.2008	390	530	14200	4091	4091
4 - series T 144 L/530	09.1995 - 04.2008	390	530	14200	3664	3664
4 - series T 94 C/260	12.1996 - 04.2008	191	260	9000	4091	4091
4 - series T 94 C/260	12.1996 - 04.2008	191	260	9000	3664	3664

**MAKE & MODEL****YEAR****KW****PS****CC****SCANIA**

4 - series T 94 C/310	09.1996 - 04.2008	228	310	9000	4091	4091
4 - series T 94 C/310	09.1996 - 04.2008	228	310	9000	3664	3664
4 - series T 94 G/220	08.1996 - 04.2008	162	220	9000	4091	4091
4 - series T 94 G/220	08.1996 - 04.2008	162	220	9000	3664	3664
4 - series T 94 G/230	04.1999 - 04.2008	169	230	9000	4091	4091
4 - series T 94 G/230	04.1999 - 04.2008	169	230	9000	3664	3664
4 - series T 94 G/260	12.1996 - 04.2008	191	260	9000	4091	4091
4 - series T 94 G/260	12.1996 - 04.2008	191	260	9000	3664	3664
4 - series T 94 G/310	09.1996 - 04.2008	228	310	9000	4091	4091
4 - series T 94 G/310	09.1996 - 04.2008	228	310	9000	3664	3664
4 - series T 94 G/310	12.1996 - 04.2008	221	300	9000	4091	4091
4 - series T 94 G/310	12.1996 - 04.2008	221	300	9000	3664	3664
4 - series T 94 G/310	12.1996 - 04.2008	228	310	9000	4091	4091
4 - series T 94 G/310	12.1996 - 04.2008	228	310	9000	3664	3664
4 - series T 94 L/310	09.1996 - 04.2008	228	310	9000	4091	4091
4 - series T 94 L/310	09.1996 - 04.2008	228	310	9000	3664	3664
IRIZAR PB 12.35	03.2006 -	294	400	12742	4091	4091
IRIZAR PB 12.35	03.2006 -	324	441	12742	4091	4091
IRIZAR PB 12.35	03.2006 -	353	480	12742	4091	4091
IRIZAR PB 12.37	03.2006 -	294	400	12742	4091	4091
IRIZAR PB 12.37	03.2006 -	324	441	12742	4091	4091
IRIZAR PB 12.37	03.2006 -	353	480	12742	4091	4091
IRIZAR PB 12.92, 13.87, 15.37	03.2006 -	294	400	12742	4091	4091
IRIZAR PB 12.92, 13.87, 15.37	03.2006 -	324	441	12742	4091	4091
IRIZAR PB 12.92, 13.87, 15.37	03.2006 -	353	480	12742	4091	4091
K - series K 230 C	01.2009 -	169	230	8867	4091	4091
K - series K 250 IB, K 250 UB	01.2006 -	184	250	9300	4091	4091
K - series K 270 C Ethanol	01.2006 -	198	269	8867	4091	4091
K - series K 270 Ethanol	01.2006 -	198	269	8867	4091	4091
K - series K 280 C	01.2009 -	206	280	9300	4091	4091
K - series K 310 IA	01.2006 -	228	310	9300	4091	4091
K - series K 310 IB	01.2006 -	228	310	9300	4091	4091
K - series K 310 IB, K 310 UB	01.2006 -	228	310	9300	4091	4091
K - series K 320 C	01.2011 -	235	320	9300	4091	4091
K - series K 360 IB	01.2006 -	265	360	12742	4091	4091
K - series K 400 IB	01.2006 -	294	400	12742	4091	4091
K - series K 410 IB	01.2006 -	301	409	12742	4091	4091
K - series K 440 IB	01.2006 -	324	441	12742	4091	4091
P,G,R,T - series G 230	09.2007 -	169	230	8867	4091	4091
P,G,R,T - series G 230	09.2007 -	169	230	8867	3664	3664
P,G,R,T - series G 230	09.2007 -	169	230	8867	4362	4362
P,G,R,T - series G 230, P 230	07.2009 -	169	230	9300	4091	4091
P,G,R,T - series G 230, P 230	07.2009 -	169	230	9300	4362	4362
P,G,R,T - series G 230, P 230	08.2006 -	169	230	8867	4091	4091
P,G,R,T - series G 230, P 230	08.2006 -	169	230	8867	3664	3664
P,G,R,T - series G 230, P 230	08.2006 -	169	230	8867	4362	4362
P,G,R,T - series G 230, P 230	09.2007 -	169	230	9300	4091	4091
P,G,R,T - series G 230, P 230	09.2007 -	169	230	9300	3664	3664
P,G,R,T - series G 230, P 230	09.2007 -	169	230	9300	4362	4362
P,G,R,T - series G 270, P 270	04.2004 -	198	270	8867	4091	4091
P,G,R,T - series G 270, P 270	04.2004 -	198	270	8867	3664	3664
P,G,R,T - series G 270, P 270	04.2004 -	198	270	8867	4362	4362
P,G,R,T - series G 270, P 270, R 270	09.2004 -	198	270	8867	4091	4091
P,G,R,T - series G 270, P 270, R 270	09.2004 -	198	270	8867	3664	3664
P,G,R,T - series G 270, P 270, R 270	09.2004 -	198	270	8867	4362	4362
P,G,R,T - series G 280	09.2007 -	206	280	9300	4091	4091
P,G,R,T - series G 280	09.2007 -	206	280	9300	4362	4362
P,G,R,T - series G 310	06.2004 -	228	310	8867	4091	4091
P,G,R,T - series G 310	06.2004 -	228	310	8867	4362	4362
P,G,R,T - series G 310, P 310	01.2012 -	228	310	9300	4091	4091
P,G,R,T - series G 310, P 310	01.2012 -	228	310	9300	4362	4362
P,G,R,T - series G 310, P 310	07.2009 -	228	310	9300	4091	4091
P,G,R,T - series G 310, P 310	07.2009 -	228	310	9300	4362	4362
P,G,R,T - series G 310, P 310	09.2004 -	228	310	8867	4091	4091
P,G,R,T - series G 310, P 310	09.2004 -	228	310	8867	3664	3664
P,G,R,T - series G 310, P 310	09.2004 -	228	310	8867	4362	4362
P,G,R,T - series G 320	09.2007 -	235	320	9300	4091	4091



**MAKE & MODEL****YEAR****KW****PS****CC****SCANIA**

P,G,R,T - series G 320	09.2007 -	235	320	9300	4362	4362
P,G,R,T - series G 340, P 340	04.2004 -	250	340	11700	4091	4091
P,G,R,T - series G 340, P 340	04.2004 -	250	340	11700	3664	3664
P,G,R,T - series G 340, P 340	04.2004 -	250	340	11700	4362	4362
P,G,R,T - series G 340, P 340	08.2004 -	250	340	11700	4091	4091
P,G,R,T - series G 340, P 340	08.2004 -	250	340	11700	3664	3664
P,G,R,T - series G 340, P 340	08.2004 -	250	340	11700	4362	4362
P,G,R,T - series G 340, P 340, R 340	04.2004 -	250	340	10600	4091	4091
P,G,R,T - series G 340, P 340, R 340	04.2004 -	250	340	10600	3664	3664
P,G,R,T - series G 340, P 340, R 340	04.2004 -	250	340	10600	4362	4362
P,G,R,T - series G 340, P 340, R 340	04.2004 -	250	340	11700	3664	
P,G,R,T - series G 340, P 340, R 340	04.2004 -	250	340	11700	4091	4091
P,G,R,T - series G 340, P 340, R 340	04.2004 -	250	340	11700	4362	4362
P,G,R,T - series G 340, P 340, R 340	09.2004 -	250	340	10600	4091	4091
P,G,R,T - series G 340, P 340, R 340	09.2004 -	250	340	10600	3664	3664
P,G,R,T - series G 340, P 340, R 340	09.2004 -	250	340	10600	4362	4362
P,G,R,T - series G 340, R 340	08.2006 -	250	340	11700	4091	4091
P,G,R,T - series G 340, R 340	08.2006 -	250	340	11700	3664	3664
P,G,R,T - series G 340, R 340	08.2006 -	250	340	11700	4362	4362
P,G,R,T - series G 360	09.2007 -	265	360	12742	4091	4091
P,G,R,T - series G 360	09.2007 -	265	360	12742	4362	4362
P,G,R,T - series G 360	09.2012 -	265	360	9300	4091	4091
P,G,R,T - series G 360	09.2012 -	265	360	9300	4362	4362
P,G,R,T - series G 360, P 360	04.2010 -	265	360	12742	4091	4091
P,G,R,T - series G 360, P 360	04.2010 -	265	360	12742	4362	4362
P,G,R,T - series G 360, P 360, R 360	04.2010 -	265	360	12742	4091	4091
P,G,R,T - series G 360, P 360, R 360	04.2010 -	265	360	12742	3664	3664
P,G,R,T - series G 360, P 360, R 360	04.2010 -	265	360	12742	4362	4362
P,G,R,T - series G 370	09.2012 -	272	370	12742	4091	4091
P,G,R,T - series G 370	09.2012 -	272	370	12742	4362	4362
P,G,R,T - series G 380	06.2004 -	279	379	11700	4091	4091
P,G,R,T - series G 380	06.2004 -	279	379	11700	4362	4362
P,G,R,T - series G 380	09.2005 -	279	379	11700	4091	4091
P,G,R,T - series G 380	09.2005 -	279	379	11700	4362	4362
P,G,R,T - series G 380, P 380	04.2004 -	279	380	11700	4091	4091
P,G,R,T - series G 380, P 380	04.2004 -	279	380	11700	3664	3664
P,G,R,T - series G 380, P 380	04.2004 -	279	380	11700	4362	4362
P,G,R,T - series G 380, P 380, R 380	03.2008 -	279	379	11716	4091	4091
P,G,R,T - series G 380, P 380, R 380	03.2008 -	279	379	11716	3664	3664
P,G,R,T - series G 380, P 380, R 380	03.2008 -	279	379	11716	4362	4362
P,G,R,T - series G 380, P 380, R 380	04.2004 -	279	380	11700	4091	4091
P,G,R,T - series G 380, P 380, R 380	04.2004 -	279	380	11700	3664	3664
P,G,R,T - series G 380, P 380, R 380	04.2004 -	279	380	11700	4362	4362
P,G,R,T - series G 380, P 380, R 380	04.2004 -	280	380	11700	4091	4091
P,G,R,T - series G 380, P 380, R 380	04.2004 -	280	380	11700	3664	3664
P,G,R,T - series G 380, P 380, R 380	04.2004 -	280	380	11700	4362	4362
P,G,R,T - series G 380, P 380, R 380	08.2004 -	279	379	11700	4091	4091
P,G,R,T - series G 380, P 380, R 380	08.2004 -	279	379	11700	3664	3664
P,G,R,T - series G 380, P 380, R 380	08.2004 -	279	379	11700	4362	4362
P,G,R,T - series G 380, P 380, R 380	09.2005 -	280	380	11700	4091	4091
P,G,R,T - series G 380, P 380, R 380	09.2005 -	280	380	11700	3664	3664
P,G,R,T - series G 380, P 380, R 380	09.2005 -	280	380	11700	4362	4362
P,G,R,T - series G 400	09.2007 -	294	400	12742	4091	4091
P,G,R,T - series G 400	09.2007 -	294	400	12742	4362	4362
P,G,R,T - series G 400, P 400, R 400	03.2008 -	294	400	12742	4091	4091
P,G,R,T - series G 400, P 400, R 400	03.2008 -	294	400	12742	3664	3664
P,G,R,T - series G 400, P 400, R 400	03.2008 -	294	400	12742	4362	4362
P,G,R,T - series G 400, P 400, R 400	04.2010 -	294	400	12742	4091	4091
P,G,R,T - series G 400, P 400, R 400	04.2010 -	294	400	12742	3664	3664
P,G,R,T - series G 400, P 400, R 400	04.2010 -	294	400	12742	4362	4362
P,G,R,T - series G 400, P 400, R 400	07.2009 -	294	400	12742	4091	4091
P,G,R,T - series G 400, P 400, R 400	07.2009 -	294	400	12742	3664	3664
P,G,R,T - series G 400, P 400, R 400	07.2009 -	294	400	12742	4362	4362
P,G,R,T - series G 400, R 400	01.2010 -	294	400	12742	4091	4091
P,G,R,T - series G 400, R 400	01.2010 -	294	400	12742	4362	4362
P,G,R,T - series G 400, R 400	03.2008 -	294	400	12742	4091	4091
P,G,R,T - series G 400, R 400	03.2008 -	294	400	12742	3664	3664



**MAKE & MODEL****YEAR****KW****PS****CC****SCANIA**

P,G,R,T - series G 400, R 400	03.2008 -	294	400	12742	4362	4362
P,G,R,T - series G 400, R 400	03.2009 -	294	400	12742	4091	4091
P,G,R,T - series G 400, R 400	03.2009 -	294	400	12742	3664	3664
P,G,R,T - series G 400, R 400	03.2009 -	294	400	12742	4362	4362
P,G,R,T - series G 400, R 400	08.2010 -	294	400	12742	4091	4091
P,G,R,T - series G 400, R 400	08.2010 -	294	400	12742	4362	4362
P,G,R,T - series G 410	09.2012 -	302	411	12742	4091	4091
P,G,R,T - series G 410	09.2012 -	302	411	12742	4362	4362
P,G,R,T - series G 410, P 410	09.2013 -	302	411	12742	4091	4091
P,G,R,T - series G 410, P 410	09.2013 -	302	411	12742	4362	4362
P,G,R,T - series G 410, P 410, R 410	09.2013 -	302	411	12742	4091	4091
P,G,R,T - series G 410, P 410, R 410	09.2013 -	302	411	12742	4362	4362
P,G,R,T - series G 410, P 410, R410	09.2013 -	302	411	12742	4091	4091
P,G,R,T - series G 410, P 410, R410	09.2013 -	302	411	12742	4362	4362
P,G,R,T - series G 410, R 410	09.2013 -	302	411	12742	4091	4091
P,G,R,T - series G 410, R 410	09.2013 -	302	411	12742	4362	4362
P,G,R,T - series G 420	03.2004 -	309	420	11700	4091	4091
P,G,R,T - series G 420	03.2004 -	309	420	11700	3664	3664
P,G,R,T - series G 420	03.2004 -	309	420	11700	4362	4362
P,G,R,T - series G 420	06.2004 -	309	420	11700	4091	4091
P,G,R,T - series G 420	06.2004 -	309	420	11700	4362	4362
P,G,R,T - series G 420	09.2005 -	309	420	11700	4091	4091
P,G,R,T - series G 420	09.2005 -	309	420	11700	4362	4362
P,G,R,T - series G 420, P 420, R 420	03.2004 -	309	420	11716	3664	3664
P,G,R,T - series G 420, P 420, R 420	03.2004 -	309	420	11716	4091	4091
P,G,R,T - series G 420, P 420, R 420	03.2004 -	309	420	11716	4362	4362
P,G,R,T - series G 420, P 420, R 420	09.2004 -	309	420	11716	4091	4091
P,G,R,T - series G 420, P 420, R 420	09.2004 -	309	420	11716	3664	3664
P,G,R,T - series G 420, P 420, R 420	09.2004 -	309	420	11716	4362	4362
P,G,R,T - series G 420, P 420, R 420	09.2005 -	309	420	11716	4091	4091
P,G,R,T - series G 420, P 420, R 420	09.2005 -	309	420	11716	3664	3664
P,G,R,T - series G 420, P 420, R 420	09.2005 -	309	420	11716	4362	4362
P,G,R,T - series G 420, R 420	01.2008 -	309	420	11716	4091	4091
P,G,R,T - series G 420, R 420	01.2008 -	309	420	11716	3664	3664
P,G,R,T - series G 420, R 420	01.2008 -	309	420	11716	4362	4362
P,G,R,T - series G 440	07.2009 -	324	441	12742	4091	4091
P,G,R,T - series G 440	07.2009 -	324	441	12742	4362	4362
P,G,R,T - series G 440	09.2007 -	324	441	12738	4091	4091
P,G,R,T - series G 440	09.2007 -	324	441	12738	4362	4362
P,G,R,T - series G 440	09.2007 -	324	441	12742	4091	4091
P,G,R,T - series G 440	09.2007 -	324	441	12742	4362	4362
P,G,R,T - series G 440, R 440	01.2007 -	324	440	11716	4091	4091
P,G,R,T - series G 440, R 440	01.2007 -	324	440	11716	4362	4362
P,G,R,T - series G 440, R 440	01.2008 -	324	440	11716	4091	4091
P,G,R,T - series G 440, R 440	01.2008 -	324	440	11716	4362	4362
P,G,R,T - series G 440, R 440	01.2010 -	324	441	12742	4091	4091
P,G,R,T - series G 440, R 440	01.2010 -	324	441	12742	3664	3664
P,G,R,T - series G 440, R 440	01.2010 -	324	441	12742	4362	4362
P,G,R,T - series G 440, R 440	03.2008 -	324	441	12742	4091	4091
P,G,R,T - series G 440, R 440	03.2008 -	324	441	12742	3664	3664
P,G,R,T - series G 440, R 440	03.2008 -	324	441	12742	4362	4362
P,G,R,T - series G 440, R 440	04.2010 -	324	441	12742	4091	4091
P,G,R,T - series G 440, R 440	04.2010 -	324	441	12742	3664	3664
P,G,R,T - series G 440, R 440	04.2010 -	324	441	12742	4362	4362
P,G,R,T - series G 440, R 440	07.2009 -	324	441	12742	4091	4091
P,G,R,T - series G 440, R 440	07.2009 -	324	441	12742	4362	4362
P,G,R,T - series G 440, R 440	08.2010 -	324	441	12742	4091	4091
P,G,R,T - series G 440, R 440	08.2010 -	324	441	12742	4362	4362
P,G,R,T - series G 450	09.2012 -	331	450	12742	4091	4091
P,G,R,T - series G 450	09.2012 -	331	450	12742	4362	4362
P,G,R,T - series G 450, P 450, R 450	09.2013 -	331	450	12742	4091	4091
P,G,R,T - series G 450, P 450, R 450	09.2013 -	331	450	12742	4362	4362
P,G,R,T - series G 450, R 450	01.2012 -	331	450	12742	4091	4091
P,G,R,T - series G 450, R 450	01.2012 -	331	450	12742	4362	4362
P,G,R,T - series G 450, R 450	09.2013 -	331	450	12742	4091	4091
P,G,R,T - series G 450, R 450	09.2013 -	331	450	12742	4362	4362
P,G,R,T - series G 470	01.2010 -	345	470	11716	4091	4091

**MAKE & MODEL****YEAR****KW****PS****CC****SCANIA**

P,G,R,T - series G 470	01.2010 -	345	470	11716	4362	4362
P,G,R,T - series G 470	09.2005 -	345	469	11700	4091	4091
P,G,R,T - series G 470	09.2005 -	345	469	11700	4362	4362
P,G,R,T - series G 470	09.2005 -	345	469	11716	4091	4091
P,G,R,T - series G 470	09.2005 -	345	469	11716	4362	4362
P,G,R,T - series G 470	09.2007 -	346	470	12742	4091	4091
P,G,R,T - series G 470	09.2007 -	346	470	12742	4362	4362
P,G,R,T - series G 470, P 470, R 470	09.2005 -	345	470	11716	4091	4091
P,G,R,T - series G 470, P 470, R 470	09.2005 -	345	470	11716	3664	3664
P,G,R,T - series G 470, P 470, R 470	09.2005 -	345	470	11716	4362	4362
P,G,R,T - series G 470, R 470	03.2004 -	345	470	11716	4091	4091
P,G,R,T - series G 470, R 470	03.2004 -	345	470	11716	3664	3664
P,G,R,T - series G 470, R 470	03.2004 -	345	470	11716	4362	4362
P,G,R,T - series G 480	01.2012 -	353	480	12742	4091	4091
P,G,R,T - series G 480	01.2012 -	353	480	12742	4362	4362
P,G,R,T - series G 480	09.2005 -	353	480	11700	4091	4091
P,G,R,T - series G 480	09.2005 -	353	480	11700	4362	4362
P,G,R,T - series G 480	09.2005 -	353	480	11716	4091	4091
P,G,R,T - series G 480	09.2005 -	353	480	11716	4362	4362
P,G,R,T - series G 480	09.2007 -	353	480	12738	4091	4091
P,G,R,T - series G 480	09.2007 -	353	480	12738	4362	4362
P,G,R,T - series G 480	09.2007 -	353	480	12742	4091	4091
P,G,R,T - series G 480	09.2007 -	353	480	12742	4362	4362
P,G,R,T - series G 480, R 480	01.2008 -	353	480	11716	4091	4091
P,G,R,T - series G 480, R 480	01.2008 -	353	480	11716	3664	3664
P,G,R,T - series G 480, R 480	01.2008 -	353	480	11716	4362	4362
P,G,R,T - series G 480, R 480	01.2010 -	353	480	12742	4091	4091
P,G,R,T - series G 480, R 480	01.2010 -	353	480	12742	4362	4362
P,G,R,T - series G 480, R 480	03.2008 -	353	480	11716	4091	4091
P,G,R,T - series G 480, R 480	03.2008 -	353	480	11716	3664	3664
P,G,R,T - series G 480, R 480	03.2008 -	353	480	11716	4362	4362
P,G,R,T - series G 480, R 480	03.2008 -	353	480	12742	4091	4091
P,G,R,T - series G 480, R 480	03.2008 -	353	480	12742	3664	3664
P,G,R,T - series G 480, R 480	03.2008 -	353	480	12742	4362	4362
P,G,R,T - series G 480, R 480	04.2004 -	353	480	11716	4091	4091
P,G,R,T - series G 480, R 480	04.2004 -	353	480	11716	3664	3664
P,G,R,T - series G 480, R 480	04.2004 -	353	480	11716	4362	4362
P,G,R,T - series G 480, R 480	04.2004 -	353	480	12742	4091	4091
P,G,R,T - series G 480, R 480	04.2004 -	353	480	12742	4362	4362
P,G,R,T - series G 480, R 480	07.2004 -	353	480	12742	4091	4091
P,G,R,T - series G 480, R 480	07.2004 -	353	480	12742	4362	4362
P,G,R,T - series G 480, R 480	08.2006 -	353	480	11716	4091	4091
P,G,R,T - series G 480, R 480	08.2006 -	353	480	11716	3664	3664
P,G,R,T - series G 480, R 480	08.2006 -	353	480	11716	4362	4362
P,G,R,T - series G 480, R 480	08.2010 -	353	480	12742	4091	4091
P,G,R,T - series G 480, R 480	08.2010 -	353	480	12742	4362	4362
P,G,R,T - series G 480, R 480, P 480	04.2010 -	353	480	12742	4091	4091
P,G,R,T - series G 480, R 480, P 480	04.2010 -	353	480	12742	3664	3664
P,G,R,T - series G 480, R 480, P 480	04.2010 -	353	480	12742	4362	4362
P,G,R,T - series G 490	09.2012 -	360	490	12742	4091	4091
P,G,R,T - series G 490	09.2012 -	360	490	12742	4362	4362
P,G,R,T - series G 490, R 490	09.2013 -	360	490	12742	4091	4091
P,G,R,T - series G 490, R 490	09.2013 -	360	490	12742	4362	4362
P,G,R,T - series P 230	01.2008 -	169	230	8867	4091	4091
P,G,R,T - series P 230	01.2008 -	169	230	8867	3664	3664
P,G,R,T - series P 230	01.2008 -	169	230	8867	4362	4362
P,G,R,T - series P 230	04.2004 -	169	230	9000	4091	4091
P,G,R,T - series P 230	04.2004 -	169	230	9000	3664	3664
P,G,R,T - series P 230	04.2004 -	169	230	9000	4362	4362
P,G,R,T - series P 230	04.2006 -	169	230	8867	4091	4091
P,G,R,T - series P 230	04.2006 -	169	230	8867	3664	3664
P,G,R,T - series P 230	04.2006 -	169	230	8867	4362	4362
P,G,R,T - series P 230	07.2009 -	169	230	9300	4091	4091
P,G,R,T - series P 230	07.2009 -	169	230	9300	4362	4362
P,G,R,T - series P 230	08.2012 -	169	230	9300	4091	4091
P,G,R,T - series P 230	08.2012 -	169	230	9300	4362	4362
P,G,R,T - series P 230	09.2004 -	169	230	8867	4091	4091

**MAKE & MODEL****YEAR****KW****PS****CC****SCANIA**

P,G,R,T - series P 230	09.2004 -	169	230	8867	3664	3664
P,G,R,T - series P 230	09.2004 -	169	230	8867	4362	4362
P,G,R,T - series P 230	09.2005 -	169	230	8867	4091	4091
P,G,R,T - series P 230	09.2005 -	169	230	8867	4362	4362
P,G,R,T - series P 230	09.2007 -	169	230	8867	4091	4091
P,G,R,T - series P 230	09.2007 -	169	230	8867	3664	3664
P,G,R,T - series P 230	09.2007 -	169	230	8867	4362	4362
P,G,R,T - series P 230	09.2007 -	169	230	9300	4091	4091
P,G,R,T - series P 230	09.2007 -	169	230	9300	4362	4362
P,G,R,T - series P 230	09.2009 -	169	230	9300	4091	4091
P,G,R,T - series P 230	09.2009 -	169	230	9300	4362	4362
P,G,R,T - series P 230, R 230	08.2006 -	169	230	8867	4091	4091
P,G,R,T - series P 230, R 230	08.2006 -	169	230	8867	3664	3664
P,G,R,T - series P 230, R 230	08.2006 -	169	230	8867	4362	4362
P,G,R,T - series P 230, R 230	09.2004 -	169	230	8867	4091	4091
P,G,R,T - series P 230, R 230	09.2004 -	169	230	8867	3664	3664
P,G,R,T - series P 230, R 230	09.2004 -	169	230	8867	4362	4362
P,G,R,T - series P 230, R 230	09.2005 -	169	230	8867	4091	4091
P,G,R,T - series P 230, R 230	09.2005 -	169	230	8867	3664	3664
P,G,R,T - series P 230, R 230	09.2005 -	169	230	8867	4362	4362
P,G,R,T - series P 250	01.2010 -	184	250	9300	4091	4091
P,G,R,T - series P 250	01.2010 -	184	250	9300	4362	4362
P,G,R,T - series P 250	01.2011 -	184	250	9300	4091	4091
P,G,R,T - series P 250	01.2011 -	184	250	9300	4362	4362
P,G,R,T - series P 250	01.2012 -	184	250	9300	4091	4091
P,G,R,T - series P 250	01.2012 -	184	250	9300	4362	4362
P,G,R,T - series P 250	08.2012 -	184	250	9300	4091	4091
P,G,R,T - series P 250	08.2012 -	184	250	9300	4362	4362
P,G,R,T - series P 250	09.2013 -	184	250	9300	4091	4091
P,G,R,T - series P 250	09.2013 -	184	250	9300	4362	4362
P,G,R,T - series P 260	04.2004 -	191	260	9000	4091	4091
P,G,R,T - series P 260	04.2004 -	191	260	9000	3664	3664
P,G,R,T - series P 260	04.2004 -	191	260	9000	4362	4362
P,G,R,T - series P 260	04.2004 -	191	260	11020	4091	4091
P,G,R,T - series P 260	04.2004 -	191	260	11020	3664	3664
P,G,R,T - series P 260	04.2004 -	191	260	11020	4362	4362
P,G,R,T - series P 270	01.2012 -	198	250	9300	4091	4091
P,G,R,T - series P 270	01.2012 -	198	250	9300	4362	4362
P,G,R,T - series P 270	04.2004 -	198	269	8867	4091	4091
P,G,R,T - series P 270	04.2004 -	198	269	8867	3664	3664
P,G,R,T - series P 270	04.2004 -	198	269	8867	4362	4362
P,G,R,T - series P 270	04.2004 -	198	270	8867	4091	4091
P,G,R,T - series P 270	04.2004 -	198	270	8867	3664	3664
P,G,R,T - series P 270	04.2004 -	198	270	8867	4362	4362
P,G,R,T - series P 270	04.2006 -	198	270	8867	4091	4091
P,G,R,T - series P 270	04.2006 -	198	270	8867	3664	3664
P,G,R,T - series P 270	04.2006 -	198	270	8867	4362	4362
P,G,R,T - series P 270	08.2006 -	198	269	8867	4091	4091
P,G,R,T - series P 270	08.2006 -	198	269	8867	3664	3664
P,G,R,T - series P 270	08.2006 -	198	269	8867	4362	4362
P,G,R,T - series P 270	09.2004 -	198	270	8867	4091	4091
P,G,R,T - series P 270	09.2004 -	198	270	8867	3664	3664
P,G,R,T - series P 270	09.2004 -	198	270	8867	4362	4362
P,G,R,T - series P 270, R 270	04.2004 -	198	269	8867	4091	4091
P,G,R,T - series P 270, R 270	04.2004 -	198	269	8867	3664	3664
P,G,R,T - series P 270, R 270	04.2004 -	198	269	8867	4362	4362
P,G,R,T - series P 270, R 270	08.2006 -	198	270	8867	4091	4091
P,G,R,T - series P 270, R 270	08.2006 -	198	270	8867	3664	3664
P,G,R,T - series P 270, R 270	08.2006 -	198	270	8867	4362	4362
P,G,R,T - series P 270, R 270	09.2004 -	198	270	8867	4091	4091
P,G,R,T - series P 270, R 270	09.2004 -	198	270	8867	3664	3664
P,G,R,T - series P 270, R 270	09.2004 -	198	270	8867	4362	4362
P,G,R,T - series P 280	04.2004 -	206	280	9300	4091	4091
P,G,R,T - series P 280	04.2004 -	206	280	9300	3664	3664
P,G,R,T - series P 280	04.2004 -	206	280	9300	4362	4362
P,G,R,T - series P 280	07.2009 -	206	280	9300	4091	4091
P,G,R,T - series P 280	07.2009 -	206	280	9300	4362	4362

**MAKE & MODEL****YEAR****KW****PS****CC****SCANIA**

P,G,R,T - series P 280	08.2012 -	206	280	9300	4091	4091
P,G,R,T - series P 280	08.2012 -	206	280	9300	4362	4362
P,G,R,T - series P 280	09.2009 -	206	280	9300	4091	4091
P,G,R,T - series P 280	09.2009 -	206	280	9300	4362	4362
P,G,R,T - series P 280	09.2013 -	206	280	9300	4091	4091
P,G,R,T - series P 280	09.2013 -	206	280	9300	4362	4362
P,G,R,T - series P 300	04.2004 -	220	300	9000	4091	4091
P,G,R,T - series P 300	04.2004 -	220	300	9000	3664	3664
P,G,R,T - series P 300	04.2004 -	220	300	9000	4362	4362
P,G,R,T - series P 310	01.2003 -	228	310	9300	4091	4091
P,G,R,T - series P 310	01.2003 -	228	310	9300	4362	4362
P,G,R,T - series P 310	01.2008 -	228	310	8867	4091	4091
P,G,R,T - series P 310	01.2008 -	228	310	8867	3664	3664
P,G,R,T - series P 310	01.2008 -	228	310	8867	4362	4362
P,G,R,T - series P 310	01.2010 -	228	310	8867	4091	4091
P,G,R,T - series P 310	01.2010 -	228	310	8867	4362	4362
P,G,R,T - series P 310	01.2011 -	224	305	9300	4091	4091
P,G,R,T - series P 310	01.2011 -	224	305	9300	4362	4362
P,G,R,T - series P 310	04.2004 -	228	310	8867	4091	4091
P,G,R,T - series P 310	04.2004 -	228	310	8867	3664	3664
P,G,R,T - series P 310	04.2004 -	228	310	8867	4362	4362
P,G,R,T - series P 310	04.2006 -	228	310	8867	4091	4091
P,G,R,T - series P 310	04.2006 -	228	310	8867	3664	3664
P,G,R,T - series P 310	04.2006 -	228	310	8867	4362	4362
P,G,R,T - series P 310	04.2009 -	228	310	9300	4091	4091
P,G,R,T - series P 310	04.2009 -	228	310	9300	4362	4362
P,G,R,T - series P 310	06.2004 -	228	310	8867	4091	4091
P,G,R,T - series P 310	06.2004 -	228	310	8867	4362	4362
P,G,R,T - series P 310	08.2006 -	228	310	8867	4091	4091
P,G,R,T - series P 310	08.2006 -	228	310	8867	3664	3664
P,G,R,T - series P 310	08.2006 -	228	310	8867	4362	4362
P,G,R,T - series P 310	08.2012 -	228	310	9300	4091	4091
P,G,R,T - series P 310	08.2012 -	228	310	9300	4362	4362
P,G,R,T - series P 310	09.2004 -	228	310	8867	4091	4091
P,G,R,T - series P 310	09.2004 -	228	310	8867	3664	3664
P,G,R,T - series P 310	09.2004 -	228	310	8867	4362	4362
P,G,R,T - series P 310	09.2004 -	228	310	9300	4091	4091
P,G,R,T - series P 310	09.2004 -	228	310	9300	4362	4362
P,G,R,T - series P 310, R 310	04.2004 -	228	310	8867	4091	4091
P,G,R,T - series P 310, R 310	04.2004 -	228	310	8867	3664	3664
P,G,R,T - series P 310, R 310	04.2004 -	228	310	8867	4362	4362
P,G,R,T - series P 310, R 310	09.2004 -	228	310	8867	4091	4091
P,G,R,T - series P 310, R 310	09.2004 -	228	310	8867	3664	3664
P,G,R,T - series P 310, R 310	09.2004 -	228	310	8867	4362	4362
P,G,R,T - series P 320	01.2013 -	235	320	9300	4091	4091
P,G,R,T - series P 320	01.2013 -	235	320	9300	4362	4362
P,G,R,T - series P 320	07.2009 -	235	320	9300	4091	4091
P,G,R,T - series P 320	07.2009 -	235	320	9300	4362	4362
P,G,R,T - series P 320	08.2012 -	235	320	9300	4091	4091
P,G,R,T - series P 320	08.2012 -	235	320	9300	4362	4362
P,G,R,T - series P 320	09.2009 -	235	320	9300	4091	4091
P,G,R,T - series P 320	09.2009 -	235	320	9300	4362	4362
P,G,R,T - series P 320	09.2013 -	235	320	9300	4091	4091
P,G,R,T - series P 320	09.2013 -	235	320	9300	4362	4362
P,G,R,T - series P 340	01.2008 -	250	340	10600	4091	4091
P,G,R,T - series P 340	01.2008 -	250	340	10600	4362	4362
P,G,R,T - series P 340	01.2011 -	250	340	9300	4091	4091
P,G,R,T - series P 340	01.2011 -	250	340	9300	4362	4362
P,G,R,T - series P 340	04.2004 -	250	340	10600	4091	4091
P,G,R,T - series P 340	04.2004 -	250	340	10600	3664	3664
P,G,R,T - series P 340	04.2004 -	250	340	10600	4362	4362
P,G,R,T - series P 340	04.2004 -	250	340	11700	4091	4091
P,G,R,T - series P 340	04.2004 -	250	340	11700	3664	3664
P,G,R,T - series P 340	04.2004 -	250	340	11700	4362	4362
P,G,R,T - series P 340	05.2005 -	250	340	11700	4091	4091
P,G,R,T - series P 340	05.2005 -	250	340	11700	4362	4362
P,G,R,T - series P 340	09.2004 -	250	340	10600	4091	4091

**MAKE & MODEL****YEAR****KW****PS****CC****SCANIA**

P,G,R,T - series P 340	09.2004 -	250	340	10600	3664	3664
P,G,R,T - series P 340	09.2004 -	250	340	10600	4362	4362
P,G,R,T - series P 340	09.2005 -	250	340	11700	4091	4091
P,G,R,T - series P 340	09.2005 -	250	340	11700	4362	4362
P,G,R,T - series P 340	10.2006 -	250	340	11700	4091	4091
P,G,R,T - series P 340	10.2006 -	250	340	11700	3664	3664
P,G,R,T - series P 340	10.2006 -	250	340	11700	4362	4362
P,G,R,T - series P 340, R 340	04.2004 -	250	340	10600	4091	4091
P,G,R,T - series P 340, R 340	04.2004 -	250	340	10600	3664	3664
P,G,R,T - series P 340, R 340	04.2004 -	250	340	10600	4362	4362
P,G,R,T - series P 340, R 340	04.2004 -	250	340	11700	4091	4091
P,G,R,T - series P 340, R 340	04.2004 -	250	340	11700	3664	3664
P,G,R,T - series P 340, R 340	04.2004 -	250	340	11700	4362	4362
P,G,R,T - series P 340, R 340	08.2006 -	250	340	11700	4091	4091
P,G,R,T - series P 340, R 340	08.2006 -	250	340	11700	3664	3664
P,G,R,T - series P 340, R 340	08.2006 -	250	340	11700	4362	4362
P,G,R,T - series P 340, R 340	09.2004 -	250	340	10600	4091	4091
P,G,R,T - series P 340, R 340	09.2004 -	250	340	10600	3664	3664
P,G,R,T - series P 340, R 340	09.2004 -	250	340	10600	4362	4362
P,G,R,T - series P 340, R 340	10.2006 -	250	340	11700	4091	4091
P,G,R,T - series P 340, R 340	10.2006 -	250	340	11700	3664	3664
P,G,R,T - series P 340, R 340	10.2006 -	250	340	11700	4362	4362
P,G,R,T - series P 360	03.2008 -	265	360	12742	4091	4091
P,G,R,T - series P 360	03.2008 -	265	360	12742	4362	4362
P,G,R,T - series P 360	04.2010 -	265	360	9300	4091	4091
P,G,R,T - series P 360	04.2010 -	265	360	9300	4362	4362
P,G,R,T - series P 360	04.2010 -	265	360	12742	4091	4091
P,G,R,T - series P 360	04.2010 -	265	360	12742	3664	3664
P,G,R,T - series P 360	04.2010 -	265	360	12742	4362	4362
P,G,R,T - series P 360	07.2009 -	265	360	9300	4091	4091
P,G,R,T - series P 360	07.2009 -	265	360	9300	4362	4362
P,G,R,T - series P 360	07.2009 -	265	360	12742	4091	4091
P,G,R,T - series P 360	07.2009 -	265	360	12742	3664	3664
P,G,R,T - series P 360	07.2009 -	265	360	12742	4362	4362
P,G,R,T - series P 360	08.2010 -	265	360	12742	4091	4091
P,G,R,T - series P 360	08.2010 -	265	360	12742	4362	4362
P,G,R,T - series P 360	09.2009 -	265	360	12742	4091	4091
P,G,R,T - series P 360	09.2009 -	265	360	12742	3664	3664
P,G,R,T - series P 360	09.2009 -	265	360	12742	4362	4362
P,G,R,T - series P 360	09.2013 -	265	360	9300	4091	4091
P,G,R,T - series P 360	09.2013 -	265	360	9300	4362	4362
P,G,R,T - series P 360	10.2007 -	265	360	12742	4091	4091
P,G,R,T - series P 360	10.2007 -	265	360	12742	3664	3664
P,G,R,T - series P 360	10.2007 -	265	360	12742	4362	4362
P,G,R,T - series P 360, R 360	04.2010 -	265	360	12742	4091	4091
P,G,R,T - series P 360, R 360	04.2010 -	265	360	12742	3664	3664
P,G,R,T - series P 360, R 360	04.2010 -	265	360	12742	4362	4362
P,G,R,T - series P 370	09.2012 -	272	370	12742	4091	4091
P,G,R,T - series P 370	09.2012 -	272	370	12742	4362	4362
P,G,R,T - series P 370	09.2013 -	272	370	12742	4091	4091
P,G,R,T - series P 370	09.2013 -	272	370	12742	4362	4362
P,G,R,T - series P 380	04.2004 -	279	379	10600	4091	4091
P,G,R,T - series P 380	04.2004 -	279	379	10600	3664	3664
P,G,R,T - series P 380	04.2004 -	279	379	10600	4362	4362
P,G,R,T - series P 380	04.2004 -	279	379	11700	4091	4091
P,G,R,T - series P 380	04.2004 -	279	379	11700	3664	3664
P,G,R,T - series P 380	04.2004 -	279	379	11700	4362	4362
P,G,R,T - series P 380	04.2004 -	279	379	11716	4091	4091
P,G,R,T - series P 380	04.2004 -	279	379	11716	3664	3664
P,G,R,T - series P 380	04.2004 -	279	379	11716	4362	4362
P,G,R,T - series P 380	04.2004 -	279	380	10600	4091	4091
P,G,R,T - series P 380	04.2004 -	279	380	10600	3664	3664
P,G,R,T - series P 380	04.2004 -	279	380	10600	4362	4362
P,G,R,T - series P 380	04.2004 -	279	380	11700	4091	4091
P,G,R,T - series P 380	04.2004 -	279	380	11700	3664	3664
P,G,R,T - series P 380	04.2004 -	279	380	11700	4362	4362
P,G,R,T - series P 380	04.2004 -	280	380	10600	4091	4091



**MAKE & MODEL****YEAR****KW****PS****CC****SCANIA**

P,G,R,T - series P 380	04.2004 -	280	380	10600	4362	4362
P,G,R,T - series P 380	04.2004 -	280	380	11700	4091	4091
P,G,R,T - series P 380	04.2004 -	280	380	11700	3664	3664
P,G,R,T - series P 380	04.2004 -	280	380	11700	4362	4362
P,G,R,T - series P 380	04.2004 -	280	381	10600	4091	4091
P,G,R,T - series P 380	04.2004 -	280	381	10600	4362	4362
P,G,R,T - series P 380	06.2004 -	279	380	10600	4091	4091
P,G,R,T - series P 380	06.2004 -	279	380	10600	4362	4362
P,G,R,T - series P 380	06.2004 -	279	380	11700	4091	4091
P,G,R,T - series P 380	06.2004 -	279	380	11700	4362	4362
P,G,R,T - series P 380	09.2004 -	279	380	10600	4091	4091
P,G,R,T - series P 380	09.2004 -	279	380	10600	3664	3664
P,G,R,T - series P 380	09.2004 -	279	380	10600	4362	4362
P,G,R,T - series P 380	09.2004 -	279	380	11700	4091	4091
P,G,R,T - series P 380	09.2004 -	279	380	11700	4362	4362
P,G,R,T - series P 380	09.2005 -	280	380	11700	4091	4091
P,G,R,T - series P 380	09.2005 -	280	380	11700	3664	3664
P,G,R,T - series P 380	09.2005 -	280	380	11700	4362	4362
P,G,R,T - series P 380	10.2006 -	280	380	11700	4091	4091
P,G,R,T - series P 380	10.2006 -	280	380	11700	3664	3664
P,G,R,T - series P 380	10.2006 -	280	380	11700	4362	4362
P,G,R,T - series P 380	10.2006 -	280	381	11700	4091	4091
P,G,R,T - series P 380	10.2006 -	280	381	11700	3664	3664
P,G,R,T - series P 380	10.2006 -	280	381	11700	4362	4362
P,G,R,T - series P 380, R 380	04.2004 -	279	379	11716	4091	4091
P,G,R,T - series P 380, R 380	04.2004 -	279	379	11716	3664	3664
P,G,R,T - series P 380, R 380	04.2004 -	279	379	11716	4362	4362
P,G,R,T - series P 380, R 380	04.2004 -	279	380	10600		3664
P,G,R,T - series P 380, R 380	04.2004 -	279	380	10600	4091	4091
P,G,R,T - series P 380, R 380	04.2004 -	279	380	10600	4362	4362
P,G,R,T - series P 380, R 380	04.2004 -	279	380	11700	4091	4091
P,G,R,T - series P 380, R 380	04.2004 -	279	380	11700	3664	3664
P,G,R,T - series P 380, R 380	04.2004 -	279	380	11700	4362	4362
P,G,R,T - series P 380, R 380	04.2004 -	279	380	11716	4091	4091
P,G,R,T - series P 380, R 380	04.2004 -	279	380	11716	3664	3664
P,G,R,T - series P 380, R 380	04.2004 -	279	380	11716	4362	4362
P,G,R,T - series P 380, R 380	09.2004 -	279	380	10600	4091	4091
P,G,R,T - series P 380, R 380	09.2004 -	279	380	10600	3664	3664
P,G,R,T - series P 380, R 380	09.2004 -	279	380	10600	4362	4362
P,G,R,T - series P 380, R 380	09.2005 -	280	380	11700	4091	4091
P,G,R,T - series P 380, R 380	09.2005 -	280	380	11700	3664	3664
P,G,R,T - series P 380, R 380	09.2005 -	280	380	11700	4362	4362
P,G,R,T - series P 380, R 380	10.2006 -	280	380	11700	3664	3664
P,G,R,T - series P 380, R 380	10.2006 -	280	380	11700	4091	4091
P,G,R,T - series P 380, R 380	10.2006 -	280	380	11700	4362	4362
P,G,R,T - series P 380, R380	04.2004 -	279	379	10600	4091	4091
P,G,R,T - series P 380, R380	04.2004 -	279	379	10600	3664	3664
P,G,R,T - series P 380, R380	04.2004 -	279	379	10600	4362	4362
P,G,R,T - series P 400	04.2010 -	294	400	12742	4091	4091
P,G,R,T - series P 400	04.2010 -	294	400	12742	3664	3664
P,G,R,T - series P 400	04.2010 -	294	400	12742	4362	4362
P,G,R,T - series P 400	07.2009 -	294	400	12742	4091	4091
P,G,R,T - series P 400	07.2009 -	294	400	12742	4362	4362
P,G,R,T - series P 400	08.2010 -	294	400	12742	4091	4091
P,G,R,T - series P 400	08.2010 -	294	400	12742	4362	4362
P,G,R,T - series P 400	09.2007 -	294	400	12742	4091	4091
P,G,R,T - series P 400	09.2007 -	294	400	12742	4362	4362
P,G,R,T - series P 400, R 400	04.2010 -	294	400	12742	4091	4091
P,G,R,T - series P 400, R 400	04.2010 -	294	400	12742	3664	3664
P,G,R,T - series P 400, R 400	04.2010 -	294	400	12742	4362	4362
P,G,R,T - series P 410	01.2011 -	302	411	12742	4091	4091
P,G,R,T - series P 410	01.2011 -	302	411	12742	4362	4362
P,G,R,T - series P 410	09.2013 -	302	411	12742	4091	4091
P,G,R,T - series P 410	09.2013 -	302	411	12742	4362	4362
P,G,R,T - series P 420	06.2004 -	309	420	11716	4091	4091
P,G,R,T - series P 420	06.2004 -	309	420	11716	4362	4362



**MAKE & MODEL****YEAR****KW****PS****CC****SCANIA**

P,G,R,T - series P 420	09.2005 -	309	420	11716	4091	4091
P,G,R,T - series P 420	09.2005 -	309	420	11716	4362	4362
P,G,R,T - series P 420, G 420	01.2008 -	309	420	11700	4091	4091
P,G,R,T - series P 420, G 420	01.2008 -	309	420	11700	4362	4362
P,G,R,T - series P 420, R 420	03.2004 -	309	420	11716	4091	4091
P,G,R,T - series P 420, R 420	03.2004 -	309	420	11716	3664	3664
P,G,R,T - series P 420, R 420	03.2004 -	309	420	11716	4362	4362
P,G,R,T - series P 420, R 420	04.2004 -	309	420	11716	4091	4091
P,G,R,T - series P 420, R 420	04.2004 -	309	420	11716	3664	3664
P,G,R,T - series P 420, R 420	04.2004 -	309	420	11716	4362	4362
P,G,R,T - series P 420, R 420	08.2006 -	309	420	11716	4091	4091
P,G,R,T - series P 420, R 420	08.2006 -	309	420	11716	3664	3664
P,G,R,T - series P 420, R 420	08.2006 -	309	420	11716	4362	4362
P,G,R,T - series P 420, R 420	09.2005 -	309	420	11716	4091	4091
P,G,R,T - series P 420, R 420	09.2005 -	309	420	11716	3664	3664
P,G,R,T - series P 420, R 420	09.2005 -	309	420	11716	4362	4362
P,G,R,T - series P 440	01.2011 -	324	441	12742	4091	4091
P,G,R,T - series P 440	01.2011 -	324	441	12742	4362	4362
P,G,R,T - series P 440, R 440	04.2010 -	324	440	12742	4091	4091
P,G,R,T - series P 440, R 440	04.2010 -	324	440	12742	3664	3664
P,G,R,T - series P 440, R 440	04.2010 -	324	440	12742	4362	4362
P,G,R,T - series P 450	09.2012 -	331	450	12742	4091	4091
P,G,R,T - series P 450	09.2012 -	331	450	12742	4362	4362
P,G,R,T - series P 450	09.2013 -	331	450	12742	4091	4091
P,G,R,T - series P 450	09.2013 -	331	450	12742	4362	4362
P,G,R,T - series P 450	09.2013 -	331	450	12742	4362	4362
P,G,R,T - series P 470, R 470	03.2004 -	345	470	11716	4091	4091
P,G,R,T - series P 470, R 470	03.2004 -	345	470	11716	3664	3664
P,G,R,T - series P 470, R 470	03.2004 -	345	470	11716	4362	4362
P,G,R,T - series P 480, R 480	04.2004 -	353	480	11716	4091	4091
P,G,R,T - series P 480, R 480	04.2004 -	353	480	11716	3664	3664
P,G,R,T - series P 480, R 480	04.2004 -	353	480	11716	4362	4362
P,G,R,T - series P 480, R 480	04.2010 -	353	480	11716	4091	4091
P,G,R,T - series P 480, R 480	04.2010 -	353	480	11716	4362	4362
P,G,R,T - series P 480, R 480	04.2010 -	353	480	12742	4091	4091
P,G,R,T - series P 480, R 480	04.2010 -	353	480	12742	3664	3664
P,G,R,T - series P 480, R 480	04.2010 -	353	480	12742	4362	4362
P,G,R,T - series P 500, R 500	03.2004 -	368	500	15600	4091	4091
P,G,R,T - series P 500, R 500	03.2004 -	368	500	15600	3664	3664
P,G,R,T - series P 500, R 500	03.2004 -	368	500	15600	4362	4362
P,G,R,T - series P 500, R 500	04.2004 -	368	500	15600	4091	4091
P,G,R,T - series P 500, R 500	04.2004 -	368	500	15600	3664	3664
P,G,R,T - series P 500, R 500	04.2004 -	368	500	15600	4362	4362
P,G,R,T - series P 500, R 500	07.2009 -	368	500	15600	4091	4091
P,G,R,T - series P 500, R 500	07.2009 -	368	500	15600	4362	4362
P,G,R,T - series P 550	01.2012 -	404	549	12742	4091	4091
P,G,R,T - series P 550	01.2012 -	404	549	12742	4362	4362
P,G,R,T - series P 560, R 560	04.2004 -	412	560	15600	4091	4091
P,G,R,T - series P 560, R 560	04.2004 -	412	560	15600	3664	3664
P,G,R,T - series P 560, R 560	04.2004 -	412	560	15600	4362	4362
P,G,R,T - series P 560, R 560	11.2006 -	412	560	15600	4091	4091
P,G,R,T - series P 560, R 560	11.2006 -	412	560	15600	3664	3664
P,G,R,T - series P 560, R 560	11.2006 -	412	560	15600	4362	4362
P,G,R,T - series P 580, R 580	04.2004 -	426	580	15600	4091	4091
P,G,R,T - series P 580, R 580	04.2004 -	426	580	15600	3664	3664
P,G,R,T - series P 580, R 580	04.2004 -	426	580	15600	4362	4362
P,G,R,T - series P 620, R 620	08.2006 -	456	620	15600	4091	4091
P,G,R,T - series P 620, R 620	08.2006 -	456	620	15600	3664	3664
P,G,R,T - series P 620, R 620	08.2006 -	456	620	15600	4362	4362
P,G,R,T - series P 620, R 620	11.2006 -	456	620	15600	4091	4091
P,G,R,T - series P 620, R 620	11.2006 -	456	620	15600	3664	3664
P,G,R,T - series P 620, R 620	11.2006 -	456	620	15600	4362	4362
P,G,R,T - series R 340	03.2004 -	250	340	10600	4091	4091
P,G,R,T - series R 340	03.2004 -	250	340	10600	3664	3664
P,G,R,T - series R 340	03.2004 -	250	340	10600	4362	4362
P,G,R,T - series R 340	08.2006 -	250	340	11700	4091	4091
P,G,R,T - series R 340	08.2006 -	250	340	11700	3664	3664
P,G,R,T - series R 340	08.2006 -	250	340	11700	4362	4362

**MAKE & MODEL****YEAR****KW****PS****CC****SCANIA**

P,G,R,T - series R 340	09.2005 -	250	340	11700	4091	4091
P,G,R,T - series R 340	09.2005 -	250	340	11700	4362	4362
P,G,R,T - series R 360	04.2010 -	265	360	12742	4091	4091
P,G,R,T - series R 360	04.2010 -	265	360	12742	3664	3664
P,G,R,T - series R 360	04.2010 -	265	360	12742	4362	4362
P,G,R,T - series R 360	09.2007 -	265	360	12742	4091	4091
P,G,R,T - series R 360	09.2007 -	265	360	12742	4362	4362
P,G,R,T - series R 370	09.2012 -	272	370	12742	4091	4091
P,G,R,T - series R 370	09.2012 -	272	370	12742	4362	4362
P,G,R,T - series R 380	03.2004 -	279	380	10600	4091	4091
P,G,R,T - series R 380	03.2004 -	279	380	10600	3664	3664
P,G,R,T - series R 380	03.2004 -	279	380	10600	4362	4362
P,G,R,T - series R 380	04.2004 -	279	379	10600	4091	4091
P,G,R,T - series R 380	04.2004 -	279	379	10600	3664	3664
P,G,R,T - series R 380	04.2004 -	279	379	10600	4362	4362
P,G,R,T - series R 380	04.2004 -	280	380	11700	4091	4091
P,G,R,T - series R 380	04.2004 -	280	380	11700	3664	3664
P,G,R,T - series R 380	04.2004 -	280	380	11700	4362	4362
P,G,R,T - series R 380	04.2010 -	280	380	11716	4091	4091
P,G,R,T - series R 380	04.2010 -	280	380	11716	3664	3664
P,G,R,T - series R 380	04.2010 -	280	380	11716	4362	4362
P,G,R,T - series R 380	06.2004 -	279	379	10600	4091	4091
P,G,R,T - series R 380	06.2004 -	279	379	10600	4362	4362
P,G,R,T - series R 380	06.2004 -	279	379	11700	4091	4091
P,G,R,T - series R 380	06.2004 -	279	379	11700	4362	4362
P,G,R,T - series R 380	06.2004 -	280	380	11700	4091	4091
P,G,R,T - series R 380	06.2004 -	280	380	11700	4362	4362
P,G,R,T - series R 380	09.2004 -	279	380	10600	4091	4091
P,G,R,T - series R 380	09.2004 -	279	380	10600	3664	3664
P,G,R,T - series R 380	09.2004 -	279	380	10600	4362	4362
P,G,R,T - series R 400	04.2010 -	294	400	12742	4091	4091
P,G,R,T - series R 400	04.2010 -	294	400	12742	3664	3664
P,G,R,T - series R 400	04.2010 -	294	400	12742	4362	4362
P,G,R,T - series R 400	09.2007 -	294	400	12742	4091	4091
P,G,R,T - series R 400	09.2007 -	294	400	12742	4362	4362
P,G,R,T - series R 410	09.2012 -	302	411	12742	4091	4091
P,G,R,T - series R 410	09.2012 -	302	411	12742	4362	4362
P,G,R,T - series R 420	03.2004 -	309	420	11716	4091	4091
P,G,R,T - series R 420	03.2004 -	309	420	11716	3664	3664
P,G,R,T - series R 420	03.2004 -	309	420	11716	4362	4362
P,G,R,T - series R 420	06.2004 -	309	420	11716	4091	4091
P,G,R,T - series R 420	06.2004 -	309	420	11716	4362	4362
P,G,R,T - series R 420	09.2007 -	309	420	12742	4091	4091
P,G,R,T - series R 420	09.2007 -	309	420	12742	4362	4362
P,G,R,T - series R 420	11.2004 -	309	420	11716	4091	4091
P,G,R,T - series R 420	11.2004 -	309	420	11716	4362	4362
P,G,R,T - series R 440	04.2010 -	324	440	12742	4091	4091
P,G,R,T - series R 440	04.2010 -	324	440	12742	3664	3664
P,G,R,T - series R 440	04.2010 -	324	440	12742	4362	4362
P,G,R,T - series R 440	09.2007 -	324	441	12742	4091	4091
P,G,R,T - series R 440	09.2007 -	324	441	12742	4362	4362
P,G,R,T - series R 450	09.2012 -	331	450	12742	4091	4091
P,G,R,T - series R 450	09.2012 -	331	450	12742	4362	4362
P,G,R,T - series R 450	09.2013 -	331	450	12742	4091	4091
P,G,R,T - series R 450	09.2013 -	331	450	12742	4362	4362
P,G,R,T - series R 470	03.2004 -	345	469	11716	4091	4091
P,G,R,T - series R 470	03.2004 -	345	469	11716	3664	3664
P,G,R,T - series R 470	03.2004 -	345	469	11716	4362	4362
P,G,R,T - series R 470	03.2004 -	345	470	11716	4091	4091
P,G,R,T - series R 470	03.2004 -	345	470	11716	3664	3664
P,G,R,T - series R 470	03.2004 -	345	470	11716	4362	4362
P,G,R,T - series R 470	04.2004 -	345	469	11716	4091	4091
P,G,R,T - series R 470	04.2004 -	345	469	11716	3664	3664
P,G,R,T - series R 470	04.2004 -	345	469	11716	4362	4362
P,G,R,T - series R 470	04.2004 -	345	470	11716	4091	4091
P,G,R,T - series R 470	04.2004 -	345	470	11716	3664	3664
P,G,R,T - series R 470	04.2004 -	345	470	11716	4362	4362

**MAKE & MODEL****YEAR****KW****PS****CC****SCANIA**

P,G,R,T - series R 470	09.2007 -	346	470	12742	4091	4091
P,G,R,T - series R 470	09.2007 -	346	470	12742	4362	4362
P,G,R,T - series R 480	04.2004 -	353	480	11716	4091	4091
P,G,R,T - series R 480	04.2004 -	353	480	11716	3664	3664
P,G,R,T - series R 480	04.2004 -	353	480	11716	4362	4362
P,G,R,T - series R 480	04.2004 -	353	480	12742	4091	4091
P,G,R,T - series R 480	04.2004 -	353	480	12742	3664	3664
P,G,R,T - series R 480	04.2004 -	353	480	12742	4362	4362
P,G,R,T - series R 480	04.2010 -	353	480	11716	4091	4091
P,G,R,T - series R 480	04.2010 -	353	480	11716	4362	4362
P,G,R,T - series R 480	04.2010 -	353	480	12742	4091	4091
P,G,R,T - series R 480	04.2010 -	353	480	12742	3664	3664
P,G,R,T - series R 480	04.2010 -	353	480	12742	4362	4362
P,G,R,T - series R 480	07.2004 -	353	480	12742	4091	4091
P,G,R,T - series R 480	07.2004 -	353	480	12742	4362	4362
P,G,R,T - series R 480	09.2005 -	353	480	11716	4091	4091
P,G,R,T - series R 480	09.2005 -	353	480	11716	4362	4362
P,G,R,T - series R 480	09.2007 -	353	480	12742	4091	4091
P,G,R,T - series R 480	09.2007 -	353	480	12742	4362	4362
P,G,R,T - series R 480	10.2010 -	353	480	12742	4091	4091
P,G,R,T - series R 480	10.2010 -	353	480	12742	4362	4362
P,G,R,T - series R 490	09.2012 -	360	490	12742	4091	4091
P,G,R,T - series R 490	09.2012 -	360	490	12742	4362	4362
P,G,R,T - series R 500	01.2008 -	368	500	15600	4091	4091
P,G,R,T - series R 500	01.2008 -	368	500	15600	4362	4362
P,G,R,T - series R 500	03.2004 -	368	500	15600	4091	4091
P,G,R,T - series R 500	03.2004 -	368	500	15600	3664	3664
P,G,R,T - series R 500	03.2004 -	368	500	15600	4362	4362
P,G,R,T - series R 500	03.2009 -	368	500	15600	4091	4091
P,G,R,T - series R 500	03.2009 -	368	500	15600	4362	4362
P,G,R,T - series R 500	04.2004 -	368	500	15600	4091	4091
P,G,R,T - series R 500	04.2004 -	368	500	15600	3664	3664
P,G,R,T - series R 500	04.2004 -	368	500	15600	4362	4362
P,G,R,T - series R 520	07.2013 -	382	520	16353	4091	4091
P,G,R,T - series R 520	07.2013 -	382	520	16353	4362	4362
P,G,R,T - series R 520	09.2012 -	382	520	16353	4091	4091
P,G,R,T - series R 520	09.2012 -	382	520	16353	4362	4362
P,G,R,T - series R 560	03.2004 -	411	559	15600	4091	4091
P,G,R,T - series R 560	03.2004 -	411	559	15600	3664	3664
P,G,R,T - series R 560	03.2004 -	411	559	15600	4362	4362
P,G,R,T - series R 560	03.2004 -	412	560	15600	4091	4091
P,G,R,T - series R 560	03.2004 -	412	560	15600	3664	3664
P,G,R,T - series R 560	03.2004 -	412	560	15600	4362	4362
P,G,R,T - series R 560	03.2008 -	412	560	15600	4091	4091
P,G,R,T - series R 560	03.2008 -	412	560	15600	3664	3664
P,G,R,T - series R 560	03.2008 -	412	560	15600	4362	4362
P,G,R,T - series R 560	03.2009 -	412	560	15600	4091	4091
P,G,R,T - series R 560	03.2009 -	412	560	15600	4362	4362
P,G,R,T - series R 560	04.2004 -	412	560	15600	4091	4091
P,G,R,T - series R 560	04.2004 -	412	560	15600	4362	4362
P,G,R,T - series R 560	09.2004 -	412	560	15600	4091	4091
P,G,R,T - series R 560	09.2004 -	412	560	15600	4362	4362
P,G,R,T - series R 560	09.2006 -	412	560	15600	4091	4091
P,G,R,T - series R 560	09.2006 -	412	560	15600	4362	4362
P,G,R,T - series R 560, P 560	07.2009 -	412	560	15600	4091	4091
P,G,R,T - series R 560, P 560	07.2009 -	412	560	15600	4362	4362
P,G,R,T - series R 580	01.2014 -	426	579	16353	4091	4091
P,G,R,T - series R 580	01.2014 -	426	579	16353	4362	4362
P,G,R,T - series R 580	03.2004 -	426	579	15600	4091	4091
P,G,R,T - series R 580	03.2004 -	426	579	15600	3664	3664
P,G,R,T - series R 580	03.2004 -	426	579	15600	4362	4362
P,G,R,T - series R 580	03.2004 -	426	580	15600	4091	4091
P,G,R,T - series R 580	03.2004 -	426	580	15600	3664	3664
P,G,R,T - series R 580	03.2004 -	426	580	15600	4362	4362
P,G,R,T - series R 580	04.2004 -	426	580	15600	4091	4091
P,G,R,T - series R 580	04.2004 -	426	580	15600	3664	3664
P,G,R,T - series R 580	04.2004 -	426	580	15600	4362	4362

**MAKE & MODEL****YEAR****KW****PS****CC****SCANIA**

P,G,R,T - series R 580	09.2013 -	426	579	16353	4091	4091
P,G,R,T - series R 580	09.2013 -	426	579	16353	4362	4362
P,G,R,T - series R 580, P 580	07.2009 -	426	580	15600	4091	4091
P,G,R,T - series R 580, P 580	07.2009 -	426	580	15600	4362	4362
P,G,R,T - series R 620	03.2004 -	455	619	15600	4091	4091
P,G,R,T - series R 620	03.2004 -	455	619	15600	3664	3664
P,G,R,T - series R 620	03.2004 -	455	619	15600	4362	4362
P,G,R,T - series R 620	03.2004 -	456	620	15600	4091	4091
P,G,R,T - series R 620	03.2004 -	456	620	15600	3664	3664
P,G,R,T - series R 620	03.2004 -	456	620	15600	4362	4362
P,G,R,T - series R 620	03.2008 -	456	620	15600	4091	4091
P,G,R,T - series R 620	03.2008 -	456	620	15600	3664	3664
P,G,R,T - series R 620	03.2008 -	456	620	15600	4362	4362
P,G,R,T - series R 620	03.2009 -	456	620	15600	4091	4091
P,G,R,T - series R 620	03.2009 -	456	620	15600	4362	4362
P,G,R,T - series R 620	09.2005 -	456	620	15600	4091	4091
P,G,R,T - series R 620	09.2005 -	456	620	15600	3664	3664
P,G,R,T - series R 620	09.2005 -	456	620	15600	4362	4362
P,G,R,T - series R 620	10.2004 -	456	620	15600	4091	4091
P,G,R,T - series R 620	10.2004 -	456	620	15600	4362	4362
P,G,R,T - series R 620	11.2006 -	456	620	15600	4091	4091
P,G,R,T - series R 620	11.2006 -	456	620	15600	4362	4362
P,G,R,T - series R 730	04.2010 -	537	730	16353	4091	4091
P,G,R,T - series R 730	04.2010 -	537	730	16353	3664	3664
P,G,R,T - series R 730	04.2010 -	537	730	16353	4362	4362
P,G,R,T - series R 730	10.2010 -	537	730	16353	4091	4091
P,G,R,T - series R 730	10.2010 -	537	730	16353	4362	4362
P,G,R,T - series T 420	06.2004 -	309	420	11716	4091	4091
P,G,R,T - series T 420	06.2004 -	309	420	11716	4362	4362
P,G,R,T - series T 470	06.2004 -	345	470	11716	4091	4091
P,G,R,T - series T 470	06.2004 -	345	470	11716	4362	4362
P,G,R,T - series T 470	09.2004 - 10.2005	345	470	11716	4091	4091
P,G,R,T - series T 470	09.2004 - 10.2005	345	470	11716	3664	3664
P,G,R,T - series T 500	06.2004 -	368	500	15600	4091	4091
P,G,R,T - series T 500	06.2004 -	368	500	15600	4362	4362
4 Series -114 C/340 (DC 11.01)	03.98-04.08	250	---	---	4359	4359
4 Series -114 C/340 (DC 11.03)	03.98-04.08	250	---	---	4359	4359
4 Series -114 C/340 (DSC 11.79)	05.96-04.08	250	---	---	4359	4359
4 Series -114 C/380 (DC 11.02)	03.98-04.08	280	---	---	4359	4359
4 Series -114 C/380 (DC 11.04)	03.98-04.08	280	---	---	4359	4359
4 Series -114 G/340 (DC 11.01)	03.98-04.08	250	---	---	4359	4359
4 Series -114 G/340 (DC 11.03)	03.98-04.08	250	---	---	4359	4359
4 Series -114 G/340 (DSC 11.79)	05.96-04.08	250	---	---	4359	4359
4 Series -114 G/380 (DC 11.02)	03.98-04.08	280	---	---	4359	4359
4 Series -114 L/340 (DC 11.01)	03.98-04.08	250	---	---	4359	4359
4 Series -114 L/340 (DC 11.03)	03.98-04.08	250	---	---	4359	4359
4 Series -114 L/340 (DSC 11.79)	05.96-04.08	250	---	---	4359	4359
4 Series -114 L/380 (DC 11.02)	03.98-04.08	280	---	---	4359	4359
4 Series -114 L/380 (DC 11.04)	03.98-04.08	280	---	---	4359	4359
4 Series -124 C/360 (DSC 12.02)	09.96-04.08	265	---	---	4359	4359
4 Series -124 C/400 (DSC 12.01)	09.96-04.08	294	---	---	4359	4359
4 Series -124 G/360 (DSC 12.02)	05.96-04.08	265	---	---	4359	4359
4 Series -124 G/400 (DSC 12.01)	05.96-04.08	294	---	---	4359	4359
4 Series -124 L/360 (DSC 12.02)	09.96-04.08	265	---	---	4359	4359
4 Series -124 L/400 (DSC 12.01)	09.96-04.08	294	---	---	4359	4359
4 Series -124 L/420 (DC 12.01)	09.97-04.08	309	---	---	4359	4359
4 Series -124 L/420 (DC 12.03)	09.97-04.08	308	---	---	4359	4359
4 Series -124 L/420 (DSC 12.05)	09.97-04.08	309	---	---	4359	4359
4 Series -124 L/440 (DT 12.08)	01.01-04.08	324	---	---	4359	4359
4 Series -124 L/470 (DT 12.02)	01.01-04.08	345	---	---	4359	4359
4 Series -144 C/460 (DSC 14.15)	09.96-04.08	338	---	---	4359	4359
4 Series -144 C/530 (DSC 14.13)	09.96-04.08	390	---	---	4359	4359
4 Series -144 G/460 (DSC 14.15)	04.96-04.08	338	---	---	4359	4359
4 Series -144 G/530 (DSC 14.13)	04.96-04.08	390	---	---	4359	4359
4 Series -144 L/460 (DSC 14.15)	11.95-04.08	338	---	---	4359	4359
4 Series -144 L/530 (DSC 14.13)	11.95-04.08	390	---	---	4359	4359
4 Series -164 C/480 (DC 16.02)	05.00-04.08	353	---	---	4359	4359

**MAKE & MODEL****YEAR****KW****PS****CC****SCANIA**

4 Series -164 C/580 (DC 16.01)	05.00-04.08	426	---	---	4359	4359
4 Series -164 G/480 (DC 16.02)	05.00-04.08	353	---	---	4359	4359
4 Series -164 G/580 (DC 16.01)	05.00-04.08	426	---	---	4359	4359
4 Series -164 L/480 (DC 16.02)	05.00-04.08	353	---	---	4359	4359
4 Series -164 L/580 (DC 16.01)	05.00-04.08	426	---	---	4359	4359
4 Series -94 C/260 (DC 9.02)	12.96-04.08	191	---	---	4359	4359
4 Series -94 C/260 (DSC 9.12)	12.96-04.08	191	---	---	4359	4359
4 Series -94 C/310 (DSC 9.13)	08.96-04.08	228	---	---	4359	4359
4 Series -94 C/310 (DSC 9.15)	08.96-04.08	228	---	---	4359	4359
4 Series -94 D/220 (DSC 9.11)	08.96-04.08	162	---	---	4359	4359
4 Series -94 D/230 (DC 9.01)	08.99-04.08	169	---	---	4359	4359
4 Series -94 D/230 (DC 9.04)	08.99-04.08	169	---	---	4359	4359
4 Series -94 D/260 (DC 9.02)	08.96-04.08	191	---	---	4359	4359
4 Series -94 D/260 (DSC 9.12)	08.96-04.08	191	---	---	4359	4359
4 Series -94 D/310 (DSC 9.13)	12.96-04.08	228	---	---	4359	4359
4 Series -94 D/310 (DSC 9.15)	12.96-04.08	228	---	---	4359	4359
4 Series -94 G/220 (DSC 9.11)	08.96-04.08	162	---	---	4359	4359
4 Series -94 G/260 (DSC 9.12)	01.98-04.08	191	---	---	4359	4359
4 Series -94 G/260 (DSC 9.12)	08.96-04.08	191	---	---	4359	4359
4 Series -94 G/310 (DSC 9.13)	08.96-04.08	228	---	---	4359	4359
4 Series -94 G/310 (DSC 9.15)	08.96-04.08	228	---	---	4359	4359
4 Series -94 L/310 (DSC 9.13)	08.96-04.08	228	---	---	4359	4359
4 Series -94 L/310 (DSC 9.15)	08.96-04.08	228	---	---	4359	4359
4 Series -T 114 C/340 (DC 11.01)	03.98-04.08	250	---	---	4359	4359
4 Series -T 114 C/380 (DC 11.02)	03.98-04.08	280	---	---	4359	4359
4 Series -T 114 G/340 (DC 11.01)	03.98-04.08	250	---	---	4359	4359
4 Series -T 114 G/340 (DC 11.03)	03.98-04.08	250	---	---	4359	4359
4 Series -T 114 G/340 (DSC 11.79)	05.96-04.08	250	---	---	4359	4359
4 Series -T 114 G/380 (DC 11.02)	03.98-04.08	280	---	---	4359	4359
4 Series -T 114 L/340 (DC 11.01)	03.98-04.08	250	---	---	4359	4359
4 Series -T 114 L/340 (DC 11.03)	03.98-04.08	250	---	---	4359	4359
4 Series -T 114 L/340 (DSC 11.79)	05.96-04.08	250	---	---	4359	4359
4 Series -T 114 L/380 (DC 11.02)	03.98-04.08	280	---	---	4359	4359
4 Series -T 124 C/360 (DSC 12.02)	09.95-04.08	265	---	---	4359	4359
4 Series -T 124 C/400 (DSC 12.01)	05.96-04.08	294	---	---	4359	4359
4 Series -T 124 C/420 (DC 12.01)	05.96-04.08	309	---	---	4359	4359
4 Series -T 124 C/420 (DSC 12.05)	05.96-04.08	309	---	---	4359	4359
4 Series -T 124 G/360 (DSC 12.02)	03.97-04.08	265	---	---	4359	4359
4 Series -T 124 G/400 (DSC 12.01)	03.97-04.08	294	---	---	4359	4359
4 Series -T 124 G/420 (DC 12.01)	09.97-04.08	309	---	---	4359	4359
4 Series -T 124 G/420 (DSC 12.05)	09.97-04.08	309	---	---	4359	4359
4 Series -T 124 L/360 (DSC 12.02)	02.97-04.08	265	---	---	4359	4359
4 Series -T 124 L/400 (DSC 12.01)	05.96-04.08	294	---	---	4359	4359
4 Series -T 124 L/420 (DC 12.01)	05.96-04.08	309	---	---	4359	4359
4 Series -T 124 L/420 (DSC 12.05)	09.97-04.08	309	---	---	4359	4359
4 Series -T 124 L/470 (DT 12.02)	01.01-04.08	345	---	---	4359	4359
4 Series -T 144 C/460 (DSC 14.15)	09.95-04.08	338	---	---	4359	4359
4 Series -T 144 C/530 (DSC 14.13)	09.95-04.08	390	---	---	4359	4359
4 Series -T 144 G/460 (DSC 14.15)	03.97-04.08	338	---	---	4359	4359
4 Series -T 144 G/530 (DSC 14.13)	03.97-04.08	390	---	---	4359	4359
4 Series -T 144 L/460 (DSC 14.15)	03.97-04.08	338	---	---	4359	4359
4 Series -T 144 L/530 (DSC 14.13)	03.97-04.08	390	---	---	4359	4359
4 Series -T 94 C/260 (DSC 9.12)	12.96-04.08	191	---	---	4359	4359
4 Series -T 94 C/310 (DSC 9.13)	09.96-04.08	228	---	---	4359	4359
4 Series -T 94 G/220 (DSC 9.11)	08.96-04.08	162	---	---	4359	4359
4 Series -T 94 G/230 (DC 9.01)	04.99-04.08	169	---	---	4359	4359
4 Series -T 94 G/260 (DSC 9.12)	12.96-04.08	191	---	---	4359	4359
4 Series -T 94 G/310 (DC 9.03)	12.96-04.08	221	---	---	4359	4359
4 Series -T 94 G/310 (DSC 9.13)	12.96-04.08	228	---	---	4359	4359
4 Series -T 94 G/310 (DSC 9.15)	12.96-04.08	228	---	---	4359	4359
4 Series -T 94 L/310 (DSC 9.13)	09.96-04.08	228	---	---	4359	4359
4 Series -T 94 L/310 (DSC 9.15)	09.96-04.08	228	---	---	4359	4359

**SETRA**

Series 300 S300N, S300NC	09.1991 - 02.2002	177	241	11967	4091	4091
Series 300 S309HD	09.1991 - 02.2002	213	290	9570	3498	
Series 300 S312HD, S315H, S315GT, S315HD, S315HDH	09.1991 - 02.2002	250	340	10964	3498	
Series 300 S313UL, S315H, S315UL, S315NF	09.1991 - 02.2002	220	299	11967		3664



**MAKE & MODEL****YEAR****KW****PS****CC****SETRA**

Series 300 S313UL, S315H, S315UL, S315NF	09.1991 - 02.2002	220	299	11967	3498	3498
Series 300 S315GT, S315GT-HD, S315HD, S315HDH	09.1991 - 02.2002	280	381	14618		3664
Series 300 S315GT, S315GT-HD, S315HD, S315HDH	09.1991 - 02.2002	280	381	14618	3498	3498
Series 300 S315GT-HD, S315HD, S315HDH	01.1996 -	213	290	10964	3498	
Series 300 S315GT-HD, S315HD, S315HDH	09.1994 - 02.2002	294	400	11967	3498	
Series 300 S316HDS, S317GT-HD, S317HD, S317HDH	09.1991 - 02.2002	280	381	14618	3498	
Series 300 S317GT-HD, S317HD, S317HDH, S319GT-HD	09.1991 - 02.2002	320	435	14618		3664
Series 300 S317GT-HD, S317HD, S317HDH, S319GT-HD	09.1991 - 02.2002	320	435	14618	3498	3498
Series 300 S319NF, S319UL	09.1991 - 02.2002	257	350	11967		3664
Series 300 S319NF, S319UL	09.1991 - 02.2002	257	350	11967	3498	3498
Series 300 S321UL	09.1991 - 02.2002	220	299	11967		3664
Series 300 S321UL	09.1991 - 02.2002	220	299	11967	3498	3498
Series 300 S328DT	09.1991 - 02.2002	385	524	14618	3498	
Series 300 S328DT	09.1991 - 02.2002	385	524	14618	3664	
Series 400 ComfortClass S 415 GT	10.2003 -	185	252	11967	4091	
Series 400 ComfortClass S 415 GT	10.2003 -	185	252	11967	3664	3664
Series 400 ComfortClass S 415 GT	10.2003 -	220	299	11967	4091	
Series 400 ComfortClass S 415 GT	10.2003 -	220	299	11967	3664	3664
Series 400 ComfortClass S 415 GT	10.2003 -	260	354	11967	4091	
Series 400 ComfortClass S 415 GT	10.2003 -	260	354	11967	3664	3664
Series 400 ComfortClass S 415 GT	10.2003 -	300	408	11967	4091	
Series 400 ComfortClass S 415 GT	10.2003 -	300	408	11967	3664	3664
Series 400 ComfortClass S 415 GT-HD	10.2003 -	315	428	11967	4091	
Series 400 ComfortClass S 415 GT-HD	10.2003 -	315	428	11967	3664	3664
Series 400 ComfortClass S 415 GT-HD	10.2003 -	335	456	11967	4091	
Series 400 ComfortClass S 415 GT-HD	10.2003 -	335	456	11967	3664	3664
Series 400 ComfortClass S 416 GT	10.2003 -	300	408	11967	4091	
Series 400 ComfortClass S 416 GT-HD	10.2003 -	260	354	11967	4091	
Series 400 ComfortClass S 416 GT-HD	10.2003 -	260	354	11967	3664	3664
Series 400 ComfortClass S 416 GT-HD	10.2003 -	320	435	15928	4091	
Series 400 ComfortClass S 416 GT-HD	10.2003 -	335	456	11967	4091	
Series 400 ComfortClass S 416 GT-HD	10.2003 -	335	456	11967	3664	3664
Series 400 ComfortClass S 416 GT-HD	10.2003 -	350	476	15928	4091	
Series 400 ComfortClass S 416 GT-HD	10.2003 -	350	476	15928	3664	3664
Series 400 ComfortClass S 416 GT-HD	10.2003 -	370	503	15928	4091	
Series 400 ComfortClass S 416 GT-HD	10.2003 -	370	503	15928	3664	3664
Series 400 ComfortClass S 417 GT-HD	10.2003 -	260	354	11967	4091	
Series 400 ComfortClass S 417 GT-HD	10.2003 -	260	354	11967	3664	3664
Series 400 ComfortClass S 417 GT-HD	10.2003 -	315	422	11967	4091	
Series 400 ComfortClass S 417 GT-HD	10.2003 -	315	422	11967	3664	3664
Series 400 ComfortClass S 417 GT-HD	10.2003 -	315	422	11967	4091	
Series 400 ComfortClass S 417 GT-HD	10.2003 -	320	435	15928	4091	
Series 400 ComfortClass S 417 GT-HD	10.2003 -	320	435	15928	3664	3664
Series 400 ComfortClass S 417 GT-HD	10.2003 -	335	456	11967	4091	
Series 400 ComfortClass S 417 GT-HD	10.2003 -	335	456	11967	3664	3664
Series 400 ComfortClass S 417 GT-HD	10.2003 -	350	476	15928	4091	
Series 400 ComfortClass S 417 GT-HD	10.2003 -	350	476	15928	3664	3664
Series 400 ComfortClass S 417 GT-HD	10.2003 -	370	503	15928	4091	
Series 400 ComfortClass S 417 GT-HD	10.2003 -	370	503	15928	3664	3664
Series 400 ComfortClass S 419 GT-HD	10.2003 -	350	476	15928	4091	
Series 400 ComfortClass S 419 GT-HD	10.2003 -	350	476	15928	3664	3664
Series 400 ComfortClass S 419 GT-HD	10.2003 -	370	503	15928	4091	
Series 400 MultiClass S 412 UL	01.2005 -	220	299	11967	4091	
Series 400 MultiClass S 412 UL	01.2005 -	220	299	11967	3664	3664
Series 400 MultiClass S 412 UL	01.2005 -	260	354	11967	4091	
Series 400 MultiClass S 412 UL	01.2005 -	260	354	11967	3664	3664
Series 400 MultiClass S 412 UL	01.2005 -	300	408	11967	4091	
Series 400 MultiClass S 412 UL	01.2005 -	300	408	11967	3664	3664
Series 400 MultiClass S 415 H	01.2005 -	220	299	11967	4091	
Series 400 MultiClass S 415 H	01.2005 -	220	299	11967	3664	3664
Series 400 MultiClass S 415 H	01.2005 -	260	354	11967	4091	
Series 400 MultiClass S 415 NF	01.2005 -	210	286	6374	4091	
Series 400 MultiClass S 415 NF	01.2005 -	220	299	11967	4091	
Series 400 MultiClass S 415 NF	01.2005 -	220	299	11967	3664	3664
Series 400 MultiClass S 415 NF	01.2005 -	260	354	11967	4091	
Series 400 MultiClass S 415 UL	01.2005 -	220	299	11967	4091	
Series 400 MultiClass S 415 UL	01.2005 -	220	299	11967	3664	3664





## MAKE & MODEL



MAKE & MODEL	YEAR	KW	PS	CC		
<b>SETRA</b>						
Series 400 MultiClass S 415 UL	01.2005 -	260	354	11967	4091	
Series 400 MultiClass S 415 UL	01.2005 -	260	354	11967	3664	3664
Series 400 MultiClass S 415 UL	01.2005 -	300	408	11967	4091	
Series 400 MultiClass S 415 UL	01.2005 -	300	408	11967	3664	3664
Series 400 MultiClass S 416 H	01.2005 -	220	299	11967	4091	
Series 400 MultiClass S 416 H	01.2005 -	220	299	11967	3664	3664
Series 400 MultiClass S 416 H	01.2005 -	260	354	11967	4091	
Series 400 MultiClass S 416 H	01.2005 -	300	408	11967	4091	
Series 400 MultiClass S 416 NF	01.2005 -	210	286	6374	4091	
Series 400 MultiClass S 416 NF	01.2005 -	220	299	11967	4091	
Series 400 MultiClass S 416 NF	01.2005 -	220	299	11967	3664	3664
Series 400 MultiClass S 416 NF	01.2005 -	260	354	11967	4091	
Series 400 MultiClass S 416 UL	01.2005 -	220	299	11967	4091	
Series 400 MultiClass S 416 UL	01.2005 -	220	299	11967	3664	3664
Series 400 MultiClass S 416 UL	01.2005 -	260	354	11967	4091	
Series 400 MultiClass S 416 UL	01.2005 -	260	354	11967	3664	3664
Series 400 MultiClass S 416 UL	01.2005 -	300	408	11967	4091	
Series 400 MultiClass S 416 UL	01.2005 -	300	408	11967	3664	3664
Series 400 MultiClass S 417 UL	01.2005 -	220	299	11967	4091	
Series 400 MultiClass S 417 UL	01.2005 -	220	299	11967	3664	3664
Series 400 MultiClass S 417 UL	01.2005 -	260	354	11967	4091	
Series 400 MultiClass S 417 UL	01.2005 -	260	354	11967	3664	3664
Series 400 MultiClass S 417 UL	01.2005 -	300	408	11967	4091	
Series 400 MultiClass S 417 UL	01.2005 -	300	408	11967	3664	3664
Series 400 MultiClass S 419 UL	01.2005 -	220	299	11967	3664	3664
Series 400 MultiClass S 419 UL	01.2005 -	260	354	11967	3664	3664
Series 400 MultiClass S 419 UL	01.2005 -	300	408	11967	4091	
Series 400 MultiClass S 419 UL	01.2005 -	300	408	11967	3664	3664
Series 400 TopClass S 411 HD	10.2001 -	260	354	11946	4091	
Series 400 TopClass S 411 HD	10.2001 -	260	354	11946	3664	3664
Series 400 TopClass S 411 HD	10.2001 -	300	408	11946	4091	
Series 400 TopClass S 411 HD	10.2001 -	300	408	11946	3664	3664
Series 400 TopClass S 415 HD	10.2001 -	260	354	11967	4091	
Series 400 TopClass S 415 HD	10.2001 -	260	354	11967	3664	3664
Series 400 TopClass S 415 HD	10.2001 -	310	422	11967	4091	
Series 400 TopClass S 415 HD	10.2001 -	310	422	11967	3664	3664
Series 400 TopClass S 415 HD	10.2001 -	320	435	15928	4091	
Series 400 TopClass S 415 HD	10.2001 -	370	503	15928	4091	
Series 400 TopClass S 415 HDH	10.2001 -	260	354	11967	4091	
Series 400 TopClass S 415 HDH	10.2001 -	310	422	11967	4091	
Series 400 TopClass S 415 HDH	10.2001 -	310	422	11967	3664	3664
Series 400 TopClass S 415 HDH	10.2001 -	320	435	15928	4091	
Series 400 TopClass S 415 HDH	10.2001 -	335	456	11967	4091	
Series 400 TopClass S 415 HDH	10.2001 -	335	456	11967	3664	3664
Series 400 TopClass S 415 HDH	10.2001 -	350	476	15928	4091	
Series 400 TopClass S 415 HDH	10.2001 -	370	503	15928	4091	
Series 400 TopClass S 415 HDH	10.2001 -	370	503	15928	3664	3664
Series 400 TopClass S 416 HDH	01.2003 -	260	354	11967	4091	
Series 400 TopClass S 416 HDH	01.2003 -	260	354	11967	3664	3664
Series 400 TopClass S 416 HDH	01.2003 -	335	455	11967	4091	
Series 400 TopClass S 416 HDH	10.2001 -	350	476	15928	4091	
Series 400 TopClass S 416 HDH	10.2002 -	310	422	11967	4091	
Series 400 TopClass S 416 HDH	10.2002 -	310	422	11967	3664	3664
Series 400 TopClass S 416 HDH	10.2002 -	320	435	15928	4091	
Series 400 TopClass S 416 HDH	10.2002 -	320	435	15928	3664	3664
Series 400 TopClass S 416 HDH	10.2002 -	370	503	15928	4091	
Series 400 TopClass S 417 HDH	10.2002 -	370	503	15928	4091	
Series 400 TopClass S 417 HDH	10.2003 -	260	354	11967	4091	
Series 400 TopClass S 417 HDH	10.2003 -	335	455	11967	4091	
Series 400 TopClass S 431 DT	10.2002 -	320	435	15928	4091	
Series 400 TopClass S 431 DT	10.2002 -	320	435	15928	3664	3664
Series 400 TopClass S 431 DT	10.2002 -	350	476	15928	4091	
Series 400 TopClass S 431 DT	10.2002 -	370	503	15928	4091	
Series 400 TopClass S 431 DT	10.2002 -	370	503	15928	3664	3664
<b>SMB</b>						
O -O-A2020 D1-09	04.92-	---	---	---		4359
O -O-A2040 D1-09	04.92-	---	---	---		4359

**MAKE & MODEL****YEAR****KW****PS****CC****SMB**

O -O-A2095 D1-09	04.92-	---	---	---		4359
O -O-A2130 D1-09	04.92-	---	---	---		4359

**SOLARIS**

ALPINO Alpino	01.2007 -	184	250	6700	4091	
ALPINO Alpino	01.2007 -	184	250	6700	3664	3664
URBINO Urbino 10	01.2012 -	206	280	6700	4091	
URBINO Urbino 10	06.2002 -	165	224	6728	4091	4091
URBINO Urbino 10	06.2002 -	184	250	6700	4091	
URBINO Urbino 10	06.2002 -	184	250	6700	3664	3664
URBINO Urbino 12	01.1999 -	162	220	6871	4091	
URBINO Urbino 12	01.1999 -	162	220	6871	3664	3664
URBINO Urbino 12	01.1999 -	183	249	9200	4091	
URBINO Urbino 12	01.1999 -	183	249	9200	3664	3664
URBINO Urbino 12	01.1999 -	191	260	6871	4091	
URBINO Urbino 12	01.1999 -	191	260	6871	3664	3664
URBINO Urbino 12	01.2012 -	206	280	6700	4091	
URBINO Urbino 12	01.2012 -	210	286	10840	4091	
URBINO Urbino 12	01.2012 -	235	320	8850	4091	
URBINO Urbino 12	01.2012 -	240	326	10840	4091	
URBINO Urbino 12	01.2012 -	271	368	10840	4091	
URBINO Urbino 12	06.2002 -	165	224	6728	4091	4091
URBINO Urbino 12	06.2002 -	184	250	6700	4091	
URBINO Urbino 12	06.2002 -	184	250	6700	3664	3664
URBINO Urbino 12	10.2006 -	265	360	9200	4091	
URBINO Urbino 12	10.2006 -	265	360	9200	3664	3664
URBINO Urbino 12 CNG	02.2008 -	200	272	7790	4091	4091
URBINO Urbino 12.9	01.2012 -	184	250	6700	4091	
URBINO Urbino 12.9	01.2012 -	206	280	6700	4091	
URBINO Urbino 12.9	01.2012 -	210	286	10840	4091	
URBINO Urbino 12.9	01.2012 -	240	326	10840	4091	
URBINO Urbino 12.9	01.2012 -	271	368	10840	4091	
URBINO Urbino 15	01.1999 -	191	260	6871	4091	
URBINO Urbino 15	01.1999 -	191	260	6871	3664	3664
URBINO Urbino 15	01.1999 -	191	260	9200	4091	
URBINO Urbino 15	01.1999 -	191	260	9200	3664	3664
URBINO Urbino 15	01.2012 -	235	320	8850	4091	
URBINO Urbino 15	01.2012 -	240	326	10840	4091	
URBINO Urbino 15	01.2012 -	271	368	10840	4091	
URBINO Urbino 15 CNG	02.2008 -	200	272	7790	4091	4091
URBINO Urbino 15, Urbino 18	10.2006 -	228	310	9200	4091	
URBINO Urbino 15, Urbino 18	10.2006 -	228	310	9200	3664	3664
URBINO Urbino 15, Urbino 18	10.2006 -	250	340	8849	4091	
URBINO Urbino 15, Urbino 18	10.2006 -	250	340	8849	3664	3664
URBINO Urbino 15, Urbino 18	10.2006 -	265	360	9200	4091	
URBINO Urbino 15, Urbino 18	10.2006 -	265	360	9200	3664	3664
URBINO Urbino 18	01.1999 -	228	310	11967	4091	
URBINO Urbino 18	01.1999 -	228	310	11967	3664	3664
URBINO Urbino 18	01.1999 -	235	320	9200	4091	
URBINO Urbino 18	01.1999 -	235	320	9200	3664	3664
URBINO Urbino 18	01.1999 -	257	350	11967	4091	
URBINO Urbino 18	01.1999 -	257	350	11967	3664	3664
URBINO Urbino 18	01.2012 -	235	320	8850	4091	
URBINO Urbino 18	01.2012 -	240	326	10840	4091	
URBINO Urbino 18	01.2012 -	271	368	10840	4091	
URBINO Urbino 18 CNG	02.2008 -	220	299	7790	4091	4091
URBINO Urbino 18 HYBRID	02.2008 -	184	250	8849	4091	4091
URBINO Urbino 18 HYBRID	02.2008 -	250	340	8849	3917	3917
URBINO Urbino 9	01.1999 -	114	155	4580	4091	
URBINO Urbino 9	01.1999 -	114	155	4580	3664	3664
VACANZA Vacanza 12	06.2002 - 12.2006	250	340	12580	4091	
VACANZA Vacanza 12	06.2002 - 12.2006	250	340	12580	3664	3664
VACANZA Vacanza 12	06.2002 - 12.2006	280	381	12580	4091	
VACANZA Vacanza 12	06.2002 - 12.2006	280	381	12580	3664	3664
VACANZA Vacanza 12	10.2003 - 12.2006	315	428	12580	4091	
VACANZA Vacanza 12	10.2003 - 12.2006	315	428	12580	3664	3664
VACANZA Vacanza 12	10.2005 -	300	408	12900	4091	

**MAKE & MODEL****YEAR****KW****PS****CC****SOLARIS**

VACANZA Vacanza 12	10.2005 -	300	408	12900	3664	3664
VACANZA Vacanza 13	10.2003 - 12.2006	315	428	12580	4091	
VACANZA Vacanza 13	10.2003 - 12.2006	315	428	12580	3664	3664
VACANZA Vacanza 13	10.2005 -	300	408	12900	4091	
VACANZA Vacanza 13	10.2005 -	300	408	12900	3664	3664

**TEMSA**

DIAMOND 14	01.2006 -	324	440	10518	3498	
------------	-----------	-----	-----	-------	------	--

**VAN HOOL**

A-Serie A 308	10.2006 -	176	239	6871	3498	3498
A-Serie A 330	10.2006 -	183	249	9200	3498	3498
A-Serie A 330	10.2006 -	228	310	9200	3498	3498
A-Serie A 330	10.2006 -	235	320	10518	3498	3498
A-Serie AG 300	10.2006 -	228	310	9200	3498	3498
A-Serie AG 300	10.2006 -	265	360	9200	3498	3498
A-Serie AG 300	10.2006 -	265	360	10518	3498	3498
T-Serie T 911	10.2005 -	265	360	10518	3498	3498
T-Serie T 911	10.2006 -	265	360	9200	3498	3498
T-Serie T 915, T 916	10.2005 -	294	400	10518	3498	3498
T-Serie T 915, T 916	10.2005 -	300	408	12900	3498	3498
T-Serie T 916, T 917, T 918, T 919	10.2005 -	340	462	12900	3498	3498
T-Serie T 916, T 917, T 918, T 919	10.2005 -	353	480	12412	3498	3498
T-Serie T 917	10.2005 -	324	440	12412	3498	3498
T-Serie TD 925, TD 927	10.2005 -	375	510	12900	3498	3498
T-Serie TD 925, TD 927	10.2006 -	353	480	12412	3498	3498

**VOLVO**

7700 7700	06.2006 -	191	260	9364	3917	3917
7700 7700	06.2006 -	223	300	9364	3917	3917
7700 7700	06.2006 -	228	310	9364	3917	3917
7700 7700	06.2006 -	265	360	9364	3917	3917
8500 8500	01.1999 -	250	340	12100	3917	3917
8500 8500	01.1999 -	265	360	9364	3917	3917
8500 8500	01.1999 -	280	380	12100	3917	3917
8700 8700	01.1999 -	213	290	7100	3917	3917
8700 8700	01.1999 -	250	340	7100	3917	3917
8700 8700	01.1999 -	250	340	12100	3917	3917
8700 8700	01.1999 -	280	380	12100	3917	3917
9700 9700	01.2009 -	309	420	12800	3917	3917
9700 9700	01.2009 -	338	460	12800	3917	3917
9700 9700	04.2001 -	250	340	12100	3845	3845
9700 9700	04.2001 -	280	380	12100	3845	3845
9700 9700	04.2001 -	309	420	12100	3845	3845
9700 9700	10.2001 -	250	340	12100	3845	3845
9700 9700	10.2001 -	280	380	12100	3845	3845
9700 9700	10.2001 -	309	420	12100	3845	3845
9700 9700	10.2007 -	338	460	12100	3917	3917
9900 9900	01.2009 -	309	420	12800	3917	3917
9900 9900	01.2009 -	338	460	12800	3917	3917
9900 9900	10.2001 -	309	420	12100	3845	3845
9900 9900	10.2007 -	338	460	12100	3917	3917
B12 B 12	01.1992 -	262	356	11980	3770	
B12 B 12	01.1992 -	291	396	11980	3770	
B12 B 12	01.1992 -	309	420	12100	3770	
B12 B 12	02.2006 -	250	340	12100	3845	3845
B12 B 12	02.2006 -	280	380	12100	3845	3845
B12 B 12	02.2006 -	309	420	12100	3845	3845
B12 B 12	02.2006 -	338	460	12100	3845	3845
B9 B 9	09.2005 -	191	260	9364	3845	3845
B9 B 9	09.2005 -	223	300	9364	3845	3845
B9 B 9	09.2005 -	228	310	9364	3845	3845
B9 B 9	09.2005 -	265	360	9364	3845	3845
FE FE 240-18	05.2006 -	177	240	7100	3917	3917
FE FE 240-22	05.2006 -	177	240	7100	3917	3917
FE FE 240-26	05.2006 -	177	240	7100	3917	3917
FE FE 260-18	05.2006 -	191	260	7100	3917	3917
FE FE 260-26	05.2006 -	191	260	7100	3917	3917

**MAKE & MODEL****YEAR****KW****PS****CC****VOLVO**

FE FE 280-18	05.2006 -	206	280	7100	3917	3917
FE FE 280-22	05.2006 -	206	280	7100	3917	3917
FE FE 280-26	05.2006 -	206	280	7100	3917	3917
FE FE 300-18	05.2006 -	221	300	7100	3917	3917
FE FE 300-26	05.2006 -	221	300	7100	3917	3917
FE FE 320-18	05.2006 -	235	320	7100	3917	3917
FE FE 320-22	05.2006 -	235	320	7100	3917	3917
FE FE 320-26	05.2006 -	235	320	7100	3917	3917
FE FE 340-18	05.2006 -	250	340	7100	3917	3917
FE FE 340-26	05.2006 -	250	340	7100	3917	3917
FE II FE 240-18	05.2012 -	177	240	7146	3917	3917
FE II FE 240-26	05.2012 -	177	240	7146	3917	3917
FE II FE 250-18	05.2012 -	184	250	7698	3917	3917
FE II FE 250-26	05.2012 -	184	250	7698	3917	3917
FE II FE 260-18	05.2012 -	191	260	7146	3917	3917
FE II FE 260-26	05.2012 -	191	260	7146	3917	3917
FE II FE 280-18	05.2012 -	206	280	7146	3917	3917
FE II FE 280-18	05.2012 -	206	280	7698	3917	3917
FE II FE 280-26	05.2012 -	206	280	7146	3917	3917
FE II FE 280-26	05.2012 -	206	280	7698	3917	3917
FE II FE 300-18	05.2012 -	221	300	7146	3917	3917
FE II FE 300-18 HYBRID	05.2012 -	120	163	7146	3917	3917
FE II FE 300-26	05.2012 -	221	300	7146	3917	3917
FE II FE 300-26 HYBRID	05.2012 -	120	163	7146	3917	3917
FE II FE 320-18	05.2012 -	235	320	7146	3917	3917
FE II FE 320-18	05.2012 -	235	320	7698	3917	3917
FE II FE 320-18 CNG	01.2016 -	239	325	8849	3917	3917
FE II FE 320-26	05.2012 -	235	320	7146	3917	3917
FE II FE 320-26	05.2012 -	235	320	7698	3917	3917
FE II FE 320-26 CNG	01.2016 -	239	325	8849	3917	3917
FE II FE 340-18	05.2012 -	250	340	7146	3917	3917
FE II FE 340-18 HYBRID	05.2012 -	120	163	7146	3917	3917
FE II FE 340-26	05.2012 -	250	340	7146	3917	3917
FE II FE 340-26 HYBRID	05.2012 -	120	163	7146	3917	3917
FH 400	09.2005 -	294	400	12779	3917	3917
FH 400	09.2005 -	294	400	12800	3917	3917
FH 420	01.2009 -	309	420	12800	3917	3917
FH 440	09.2005 -	324	440	12800	3917	3917
FH 440	09.2005 -	324	441	12779	3917	3917
FH 460	01.2009 -	338	460	12800	3917	3917
FH 460	09.2005 -	338	460	12779	3917	3917
FH 460	09.2005 -	338	460	12800	3845	3845
FH 480	09.2005 -	353	480	12779	3917	3917
FH 480	09.2005 -	353	480	12800	3917	3917
FH 500	01.2009 -	368	500	12800	3917	3917
FH 500	09.2005 -	368	500	12779	3917	3917
FH 500	09.2005 -	368	500	12800	3917	3917
FH 500	09.2007 -	368	500	12800	3917	3917
FH 520	09.2005 -	382	519	12779	3917	3917
FH 520	09.2005 -	382	520	12800	3917	3917
FH 540	01.2009 -	397	540	12800	3917	3917
FH 540	09.2005 -	397	540	12779	3917	3917
FH II 380	09.2012 -	280	381	12779	3917	3917
FH II 420	01.2012 -	309	420	12800	3917	3917
FH II 420	05.2012 -	309	420	12800	3917	3917
FH II 460	01.2012 -	338	460	12800	3917	3917
FH II 460	05.2012 -	338	460	12800	3917	3917
FH II 500	01.2012 -	368	500	12800	3917	3917
FH II 500	05.2012 -	368	500	12800	3917	3917
FH II 500	09.2012 -	368	500	12800	3917	3917
FH II 540	01.2012 -	397	540	12800	3917	3917
FH II 540	05.2012 -	397	540	12800	3917	3917
FH12 FH 12/340	01.1995 -	250	340	12100	3845	3845
FH12 FH 12/340	08.1993 -	250	340	12100	3845	3845
FH12 FH 12/380	01.1995 -	279	379	12100	3845	3845
FH12 FH 12/380	08.1993 -	279	379	12100	3845	3845
FH12 FH 12/380	08.1993 - 09.2005	279	379	12132	3845	3845

**MAKE & MODEL****YEAR****KW****PS****CC****VOLVO**

FH12 FH 12/390	09.2001 - 09.2005	287	390	12132	3845	3845
FH12 FH 12/420	01.1995 -	309	420	12100	3845	3845
FH12 FH 12/420	08.1993 -	309	420	12100	3845	3845
FH12 FH 12/420	08.1993 - 09.2005	309	420	12132	3845	3845
FH12 FH 12/430	09.2001 - 09.2005	316	430	12132	3845	3845
FH12 FH 12/460	08.1998 -	338	460	12100	3845	3845
FH12 FH 12/460	09.1998 - 09.2005	338	460	12132	3845	3845
FH12 FH 12/500	09.1998 - 09.2005	368	500	12132	3845	3845
FH12 FH 12/500	09.2001 -	368	500	12100	3845	3845
FH12 FH 12/500	09.2001 - 09.2005	368	500	12132	3845	3845
FH16 FH 16/470	08.1993 - 12.1999	346	470	16120	3845	3845
FH16 FH 16/470	08.1993 - 12.2002	346	470	16125	3845	3845
FH16 FH 16/520	01.1995 -	382	520	16120	3845	3845
FH16 FH 16/520	08.1993 - 12.2002	382	519	16125	3845	3845
FH16 FH 16/520	08.1993 - 12.2002	382	520	16120	3845	3845
FH16 FH 16/540	01.2005 -	397	540	16125	3845	3845
FH16 FH 16/540	01.2009 -	396	539	16120	3917	3917
FH16 FH 16/540	01.2009 -	396	540	16120	3917	3917
FH16 FH 16/540, FH 16/550	01.2003 -	396	540	16120	3845	3845
FH16 FH 16/540, FH 16/550	08.2007 -	396	539	16120	3917	3917
FH16 FH 16/550	01.2003 -	396	540	16120	3845	3845
FH16 FH 16/550	01.2003 -	405	551	16125	3845	3845
FH16 FH 16/550	05.2005 -	396	540	16120	3845	3845
FH16 FH 16/550	09.2005 -	404	550	16120	3917	3917
FH16 FH 16/580	01.2005 -	426	579	16125	3845	3845
FH16 FH 16/580	01.2009 -	426	580	16120	3917	3917
FH16 FH 16/580	09.2006 -	426	580	16120	3917	3917
FH16 FH 16/600	01.2008 -	441	600	16125	3845	3845
FH16 FH 16/600	01.2009 -	441	600	16120	3917	3917
FH16 FH 16/600	09.2006 -	441	600	16120	3917	3917
FH16 FH 16/610	01.2003 -	449	610	16120	3845	3845
FH16 FH 16/610	01.2003 -	449	610	16125	3845	3845
FH16 FH 16/610	08.2007 -	449	610	16120	3845	3845
FH16 FH 16/610	08.2007 -	449	610	16120	3917	3917
FH16 FH 16/610	09.2005 -	449	610	16120	3917	3917
FH16 FH 16/660	01.2005 -	485	659	16125	3845	3845
FH16 FH 16/660	01.2007 -	485	660	16120	3917	3917
FH16 FH 16/660	01.2009 -	485	660	16120	3917	3917
FH16 FH 16/660	09.2006 -	485	660	16120	3917	3917
FH16 FH 16/700	01.2009 -	515	700	16120	3917	3917
FH16 FH 16/700	01.2009 -	515	700	16125	3845	3845
FH16 II FH 16/540, FH 16/550	05.2012 -	396	540	16120	3917	3917
FH16 II FH 16/550	03.2014 -	396	540	16120	3917	3917
FH16 II FH 16/550	03.2014 -	405	550	16120	3917	3917
FH16 II FH 16/600	05.2012 -	441	600	16120	3917	3917
FH16 II FH 16/600	09.2012 -	441	600	16125	3917	3917
FH16 II FH 16/650	03.2014 -	479	650	16120	3917	3917
FH16 II FH 16/700	05.2012 -	515	700	16120	3917	3917
FH16 II FH 16/700	09.2012 -	515	700	16125	3917	3917
FH16 II FH 16/750	03.2014 -	550	749	16120	3917	3917
FH16 II FH 16/750	03.2014 -	550	750	16120	3917	3917
FH16 II FH 16/750	03.2014 -	551	750	16120	3917	3917
FH16 II FH 16/750	05.2012 -	551	750	16120	3917	3917
FL FL 180-16	05.2000 - 08.2006	132	179	5476	3845	3845
FL FL 180-17	05.2000 - 08.2006	132	179	5476	3845	3845
FL FL 180-18	03.2000 -	132	180	5480	3845	3845
FL FL 180-18	05.2000 - 08.2006	132	179	5476	3845	3845
FL FL 180-19	05.2000 - 08.2006	132	179	5476	3845	3845
FL FL 180-21	05.2000 - 08.2006	132	179	5476	3845	3845
FL FL 180-26	05.2000 - 08.2006	132	179	5476	3845	3845
FL FL 220-16	05.2000 - 08.2006	162	220	5476	3845	3845
FL FL 220-17	05.2000 - 08.2006	162	220	5476	3845	3845
FL FL 220-18	03.2000 -	162	220	5480	3845	3845
FL FL 220-18	05.2000 - 08.2006	162	220	5476	3845	3845
FL FL 220-19	05.2000 - 08.2006	162	220	5476	3845	3845
FL FL 220-21	05.2000 - 08.2006	162	220	5476	3845	3845
FL FL 220-26	05.2000 - 08.2006	162	220	5476	3845	3845

**MAKE & MODEL****YEAR****KW****PS****CC****VOLVO**

FL FL 250-16	05.2000 - 08.2006	185	252	5476	3845	3845
FL FL 250-17	05.2000 - 08.2006	185	252	5476	3845	3845
FL FL 250-18	03.2000 -	184	250	5480	3845	3845
FL FL 250-18	05.2000 - 08.2006	185	252	5476	3845	3845
FL FL 250-19	05.2000 - 08.2006	185	252	5476	3845	3845
FL FL 250-21	05.2000 - 08.2006	185	252	5476	3845	3845
FL FL 250-26	05.2000 - 08.2006	185	252	5476	3845	3845
FL II FL 240-12	05.2006 -	177	240	7100	3818	3818
FL II FL 240-12	05.2006 -	177	240	7100	4047	4047
FL II FL 240-12	05.2006 -	177	240	7100	4290	4290
FL II FL 240-14	06.2009 -	177	241	7100	3818	3818
FL II FL 240-14	06.2009 -	177	241	7100	4047	4047
FL II FL 240-14	06.2009 -	177	241	7100	4290	4290
FL II FL 240-15	05.2006 -	177	240	7100	3818	3818
FL II FL 240-15	05.2006 -	177	240	7100	4047	4047
FL II FL 240-15	05.2006 -	177	240	7100	4290	4290
FL II FL 240-16	05.2006 -	177	240	7100	3818	3818
FL II FL 240-16	05.2006 -	177	240	7100	4047	4047
FL II FL 240-16	05.2006 -	177	240	7100	4290	4290
FL II FL 240-16	06.2009 -	177	241	7100	3818	3818
FL II FL 240-16	06.2009 -	177	241	7100	4047	4047
FL II FL 240-16	06.2009 -	177	241	7100	4290	4290
FL II FL 240-18	05.2006 -	177	240	7100	3818	3818
FL II FL 240-18	05.2006 -	177	240	7100	4047	4047
FL II FL 240-18	05.2006 -	177	240	7100	4290	4290
FL II FL 260-12	06.2009 -	191	260	7100	3818	3818
FL II FL 260-12	06.2009 -	191	260	7100	4047	4047
FL II FL 260-12	06.2009 -	191	260	7100	4290	4290
FL II FL 260-14	06.2009 -	191	260	7100	4290	
FL II FL 260-14	06.2009 -	191	260	7100	3818	3818
FL II FL 260-14	06.2009 -	191	260	7100	4047	4047
FL II FL 260-15	06.2009 -	191	260	7100	3818	3818
FL II FL 260-15	06.2009 -	191	260	7100	4047	4047
FL II FL 260-15	06.2009 -	191	260	7100	4290	4290
FL II FL 260-16	06.2009 -	191	260	7100	3818	3818
FL II FL 260-16	06.2009 -	191	260	7100	4047	4047
FL II FL 260-16	06.2009 -	191	260	7100	4290	4290
FL II FL 260-18	06.2009 -	191	260	7100	3818	3818
FL II FL 260-18	06.2009 -	191	260	7100	4047	4047
FL II FL 260-18	06.2009 -	191	260	7100	4290	4290
FL II FL 280-12	05.2006 -	206	280	7100	3818	3818
FL II FL 280-12	05.2006 -	206	280	7100	4047	4047
FL II FL 280-12	05.2006 -	206	280	7100	4290	4290
FL II FL 280-14	06.2009 -	206	280	7100	3818	3818
FL II FL 280-14	06.2009 -	206	280	7100	4047	4047
FL II FL 280-14	06.2009 -	206	280	7100	4290	4290
FL II FL 280-15	05.2006 -	206	280	7100	3818	3818
FL II FL 280-15	05.2006 -	206	280	7100	4047	4047
FL II FL 280-15	05.2006 -	206	280	7100	4290	4290
FL II FL 280-16	05.2006 -	206	280	7100	3818	3818
FL II FL 280-16	05.2006 -	206	280	7100	4047	4047
FL II FL 280-16	05.2006 -	206	280	7100	4290	4290
FL II FL 280-18	05.2006 -	206	280	7100	3818	3818
FL II FL 280-18	05.2006 -	206	280	7100	4047	4047
FL II FL 280-18	05.2006 -	206	280	7100	4290	4290
FL II FL 290-12	06.2009 -	213	290	7100	3818	3818
FL II FL 290-12	06.2009 -	213	290	7100	4047	4047
FL II FL 290-12	06.2009 -	213	290	7100	4290	4290
FL II FL 290-14	06.2009 -	213	290	7100	3818	3818
FL II FL 290-14	06.2009 -	213	290	7100	4047	4047
FL II FL 290-14	06.2009 -	213	290	7100	4290	4290
FL II FL 290-16	06.2009 -	213	290	7100	3818	3818
FL II FL 290-16	06.2009 -	213	290	7100	4047	4047
FL II FL 290-16	06.2009 -	213	290	7100	4290	4290
FL II FL 290-18	06.2009 -	213	290	7100	3818	3818
FL II FL 290-18	06.2009 -	213	290	7100	4047	4047
FL II FL 290-18	06.2009 -	213	290	7100	4290	4290



**MAKE & MODEL****YEAR****KW****PS****CC****VOLVO**

FL II FL 300-12	01.2009 -	221	300	7146	3818	3818
FL II FL 300-13	01.2009 -	221	300	7146	3818	3818
FL II FL 300-14	01.2009 -	221	300	7146	3818	3818
FL II FL 300-15	01.2009 -	221	300	7146	3818	3818
FL II FL 300-16	01.2009 -	221	300	7146	3818	3818
FL II FL 300-18	01.2009 -	221	300	7146	3818	3818
FL II FL 340-12	01.2009 -	250	340	7146	3818	3818
FL II FL 340-13	01.2009 -	250	340	7146	3818	3818
FL II FL 340-14	01.2009 -	250	340	7146	3818	3818
FL II FL 340-15	01.2009 -	250	340	7146	3818	3818
FL II FL 340-16	01.2009 -	250	340	7146	3818	3818
FL II FL 340-18	01.2009 -	250	340	7146	3818	3818
FL III FL 210-10	05.2013 -	155	210	5132	4047	4047
FL III FL 210-10	05.2013 -	155	210	5132	4290	4290
FL III FL 210-12	05.2013 -	155	210	5132	4047	4047
FL III FL 210-12	05.2013 -	155	210	5132	4290	4290
FL III FL 210-14	05.2013 -	155	210	5132	4047	4047
FL III FL 210-14	05.2013 -	155	210	5132	4290	4290
FL III FL 210-16	05.2013 -	155	210	5132	4047	4047
FL III FL 210-16	05.2013 -	155	210	5132	4290	4290
FL III FL 240-10	05.2013 -	177	240	5132	4047	4047
FL III FL 240-10	05.2013 -	177	240	5132	4290	4290
FL III FL 240-12	05.2013 -	177	240	5132	4047	4047
FL III FL 240-12	05.2013 -	177	240	5132	4290	4290
FL III FL 240-12	05.2013 -	177	240	7146	4047	4047
FL III FL 240-12	05.2013 -	177	240	7146	4290	4290
FL III FL 240-14	05.2013 -	177	240	5132	4047	4047
FL III FL 240-14	05.2013 -	177	240	5132	4290	4290
FL III FL 240-14	05.2013 -	177	240	7146	4047	4047
FL III FL 240-14	05.2013 -	177	240	7146	4290	4290
FL III FL 240-15	05.2013 -	177	240	7146	4047	4047
FL III FL 240-15	05.2013 -	177	240	7146	4290	4290
FL III FL 240-16	05.2013 -	177	240	5132	4047	4047
FL III FL 240-16	05.2013 -	177	240	5132	4290	4290
FL III FL 240-16	05.2013 -	177	240	7146	4047	4047
FL III FL 240-16	05.2013 -	177	240	7146	4290	4290
FL III FL 240-18	05.2013 -	177	240	7146	4047	4047
FL III FL 240-18	05.2013 -	177	240	7146	4290	4290
FL III FL 250-12	05.2013 -	184	250	7698	4047	4047
FL III FL 250-12	05.2013 -	184	250	7698	4290	4290
FL III FL 250-14	05.2013 -	184	250	7698	4047	4047
FL III FL 250-14	05.2013 -	184	250	7698	4290	4290
FL III FL 250-16	05.2013 -	184	250	7698	4047	4047
FL III FL 250-16	05.2013 -	184	250	7698	4290	4290
FL III FL 250-18	05.2013 -	184	250	7698	4047	4047
FL III FL 250-18	05.2013 -	184	250	7698	4290	4290
FL III FL 260-12	05.2013 -	191	260	7146	4047	4047
FL III FL 260-12	05.2013 -	191	260	7146	4290	4290
FL III FL 260-14	05.2013 -	191	260	7146	4047	4047
FL III FL 260-14	05.2013 -	191	260	7146	4290	4290
FL III FL 260-15	05.2013 -	191	260	7146	4047	4047
FL III FL 260-15	05.2013 -	191	260	7146	4290	4290
FL III FL 260-16	05.2013 -	191	260	7146	4047	4047
FL III FL 260-16	05.2013 -	191	260	7146	4290	4290
FL III FL 260-18	05.2013 -	191	260	7146	4047	4047
FL III FL 260-18	05.2013 -	191	260	7146	4290	4290
FL III FL 280-12	05.2013 -	206	280	7146	4047	4047
FL III FL 280-12	05.2013 -	206	280	7146	4290	4290
FL III FL 280-12	05.2013 -	206	280	7698	4047	4047
FL III FL 280-12	05.2013 -	206	280	7698	4290	4290
FL III FL 280-14	05.2013 -	206	280	7146	4047	4047
FL III FL 280-14	05.2013 -	206	280	7146	4290	4290
FL III FL 280-14	05.2013 -	206	280	7698	4047	4047
FL III FL 280-14	05.2013 -	206	280	7698	4290	4290
FL III FL 280-16	05.2013 -	206	280	7146	4047	4047
FL III FL 280-16	05.2013 -	206	280	7146	4290	4290
FL III FL 280-16	05.2013 -	206	280	7698	4047	4047

**MAKE & MODEL****YEAR****KW****PS****CC****VOLVO**

FL III FL 280-16	05.2013 -	206	280	7698	4290	4290
FL III FL 280-16	06.2016 -	206	280	7698	4047	4047
FL III FL 280-16	06.2016 -	206	280	7698	4290	4290
FL III FL 280-18	05.2013 -	206	280	7146	4047	4047
FL III FL 280-18	05.2013 -	206	280	7146	4290	4290
FL III FL 280-18	05.2013 -	206	280	7698	4047	4047
FL III FL 280-18	05.2013 -	206	280	7698	4290	4290
FL III FL 290-12	05.2013 -	213	290	7146	4047	4047
FL III FL 290-12	05.2013 -	213	290	7146	4290	4290
FL III FL 290-14	05.2013 -	213	290	7146	4047	4047
FL III FL 290-14	05.2013 -	213	290	7146	4290	4290
FL III FL 290-16	05.2013 -	213	290	7146	4047	4047
FL III FL 290-16	05.2013 -	213	290	7146	4290	4290
FL III FL 290-18	05.2013 -	213	290	7146	4047	4047
FL III FL 290-18	05.2013 -	213	290	7146	4290	4290
FL6 FL 615	11.1991 - 03.2000	132	180	5480	3845	3845
FL6 FL 615	11.1991 - 03.2000	154	209	5480	3845	3845
FM FM 300	09.2005 -	220	300	9364	3917	3917
FM FM 300	09.2005 -	221	300	9364	3917	3917
FM FM 300	09.2005 -	221	300	9366	3845	3845
FM FM 330	04.2012 -	243	330	10840	3917	3917
FM FM 330	06.2016 -	243	330	10840	3917	3917
FM FM 330	09.2005 -	243	330	10800	3917	3917
FM FM 330	09.2005 -	243	330	10837	3845	3845
FM FM 330	09.2005 -	243	330	10840	3917	3917
FM FM 340	09.2005 -	250	340	9364	3917	3917
FM FM 340	09.2005 -	250	340	9366	3845	3845
FM FM 360	09.2005 -	264	359	12800	3917	3917
FM FM 360	09.2005 -	264	360	12800	3917	3917
FM FM 360	11.2005 -	264	359	12800	3917	3917
FM FM 360	11.2005 -	264	360	12800	3917	3917
FM FM 370	04.2012 -	272	370	10840	3917	3917
FM FM 370	06.2016 -	272	370	10840	3917	3917
FM FM 370	09.2005 -	272	370	10800	3917	3917
FM FM 370	09.2005 -	272	370	10837	3845	3845
FM FM 370	09.2005 -	272	370	10840	3917	3917
FM FM 380	04.2012 -	280	380	12800	3917	3917
FM FM 380	09.2005 -	279	380	9364	3917	3917
FM FM 380	09.2005 -	280	380	9364	3917	3917
FM FM 380	09.2005 -	280	380	12800	3917	3917
FM FM 380	09.2005 -	280	381	9366	3845	3845
FM FM 390	06.2008 -	287	390	10800	3917	3917
FM FM 390	09.2005 -	287	390	10837	3845	3845
FM FM 400	09.2005 -	294	400	12800	3917	3917
FM FM 410	04.2012 -	302	410	10840	3917	3917
FM FM 410	06.2016 -	302	410	10840	3917	3917
FM FM 410	09.2005 -	302	410	10800	3917	3917
FM FM 410	09.2005 -	302	410	10840	3917	3917
FM FM 410	09.2005 -	302	411	10837	3845	3845
FM FM 420	04.2012 -	309	420	12800	3917	3917
FM FM 420	06.2016 -	309	420	12800	3917	3917
FM FM 420	09.2005 -	309	420	12800	3917	3917
FM FM 430	04.2012 -	317	431	10840	3917	3917
FM FM 430	09.2005 -	316	430	10837	3845	3845
FM FM 440	09.2005 -	324	440	12800	3917	3917
FM FM 450	04.2012 -	332	450	10840	3917	3917
FM FM 450	06.2016 -	332	450	10840	3917	3917
FM FM 450	09.2005 -	332	450	10800	3917	3917
FM FM 450	09.2005 -	332	450	10840	3917	3917
FM FM 450	09.2005 -	332	451	10837	3845	3845
FM FM 460	04.2012 -	338	460	12800	3917	3917
FM FM 460	06.2016 -	338	460	12800	3917	3917
FM FM 460	09.2005 -	338	460	12800	3917	3917
FM FM 480	09.2005 -	353	480	12800	3917	3917
FM FM 500	04.2012 -	368	500	12800	3917	3917
FM FM 500	06.2016 -	368	500	12800	3917	3917
FM FM 500	09.2005 -	368	500	12800	3917	3917

**MAKE & MODEL****YEAR****KW****PS****CC****VOLVO**

FM II FM 420	10.2015 -	309	420	12779	3917	3917
FM10 FM 10/320	04.1999 - 12.2001	235	320	9600	3845	3845
FM10 FM 10/360	04.1999 - 12.2001	265	360	9600	3845	3845
FM12 FM 12/340	08.1998 - 09.2005	250	340	12100	3845	3845
FM12 FM 12/340	08.1998 - 11.2008	250	340	12132	3845	3845
FM12 FM 12/380	08.1998 - 09.2005	279	379	12100	3845	3845
FM12 FM 12/380	08.1998 - 11.2008	279	379	12132	3845	3845
FM12 FM 12/420	08.1998 - 09.2005	309	420	12100	3845	3845
FM12 FM 12/420	08.1998 - 11.2008	309	420	12132	3845	3845
FM12 FM 12/460	08.1998 - 09.2005	338	460	12100	3845	3845
FM12 FM 12/460	08.1998 - 11.2008	338	460	12132	3845	3845
FM12 FM 12H/340	08.1998 - 09.2005	250	340	12100	3845	3845
FM12 FM 12H/380	08.1998 - 09.2005	279	379	12100	3845	3845
FM12 FM 12H/420	08.1998 - 09.2005	309	420	12100	3845	3845
FM7 FM 7/250	08.1998 - 12.2001	184	250	7300	3845	3845
FM7 FM 7/290	08.1998 - 12.2001	213	290	7284	3845	3845
FM7 FM 7/290	08.1998 - 12.2001	213	290	7300	3845	3845
FM9 FM 9/260	12.2001 - 09.2005	191	260	9364	3845	3845
FM9 FM 9/300	12.2001 - 09.2005	220	299	9364	3845	3845
FM9 FM 9/300	12.2001 - 09.2005	221	300	9364	3845	3845
FM9 FM 9/340	12.2001 - 09.2005	250	340	9364	3845	3845
FM9 FM 9/380	12.2001 - 09.2005	279	380	9364	3845	3845
FMX 330	04.2010 -	243	330	10840	3917	3917
FMX 370	04.2010 -	272	370	10840	3917	3917
FMX 380	04.2010 -	280	380	12800	3917	3917
FMX 400	04.2010 -	294	400	12800	3917	3917
FMX 410	04.2010 -	302	410	10840	3917	3917
FMX 420	04.2010 -	309	420	12800	3917	3917
FMX 430	04.2010 -	317	431	10840	3917	3917
FMX 440	04.2010 -	324	440	12800	3917	3917
FMX 450	04.2010 -	332	450	10840	3917	3917
FMX 460	04.2010 -	338	460	12800	3917	3917
FMX 480	04.2010 -	353	480	12800	3917	3917
FMX 500	04.2010 -	368	500	12800	3917	3917
FMX 540	04.2010 -	397	540	12800	3917	3917
FMX II 330	04.2012 -	243	330	10840	3917	3917
FMX II 330	06.2016 -	243	330	10840	3917	3917
FMX II 330	09.2013 -	243	330	10840	3917	3917
FMX II 370	06.2016 -	272	370	10840	3917	3917
FMX II 370	09.2013 -	272	370	10840	3917	3917
FMX II 380	04.2012 -	243	330	10840	3917	3917
FMX II 410	06.2016 -	302	410	10840	3917	3917
FMX II 410	09.2013 -	302	410	10840	3917	3917
FMX II 420	06.2016 -	309	420	12800	3917	3917
FMX II 420	09.2013 -	309	420	12800	3917	3917
FMX II 450	06.2016 -	332	450	10840	3917	3917
FMX II 450	09.2013 -	332	450	10840	3917	3917
FMX II 460	06.2016 -	338	460	12800	3917	3917
FMX II 460	09.2013 -	338	460	12800	3917	3917
FMX II 500	06.2016 -	368	500	12800	3917	3917
FMX II 500	09.2013 -	368	500	12800	3917	3917
FMX II 540	06.2016 -	397	540	12800	3917	3917
FMX II 540	06.2016 -	397	540	12800	4091	4091
FMX II 540	09.2013 -	397	540	12800	3917	3917



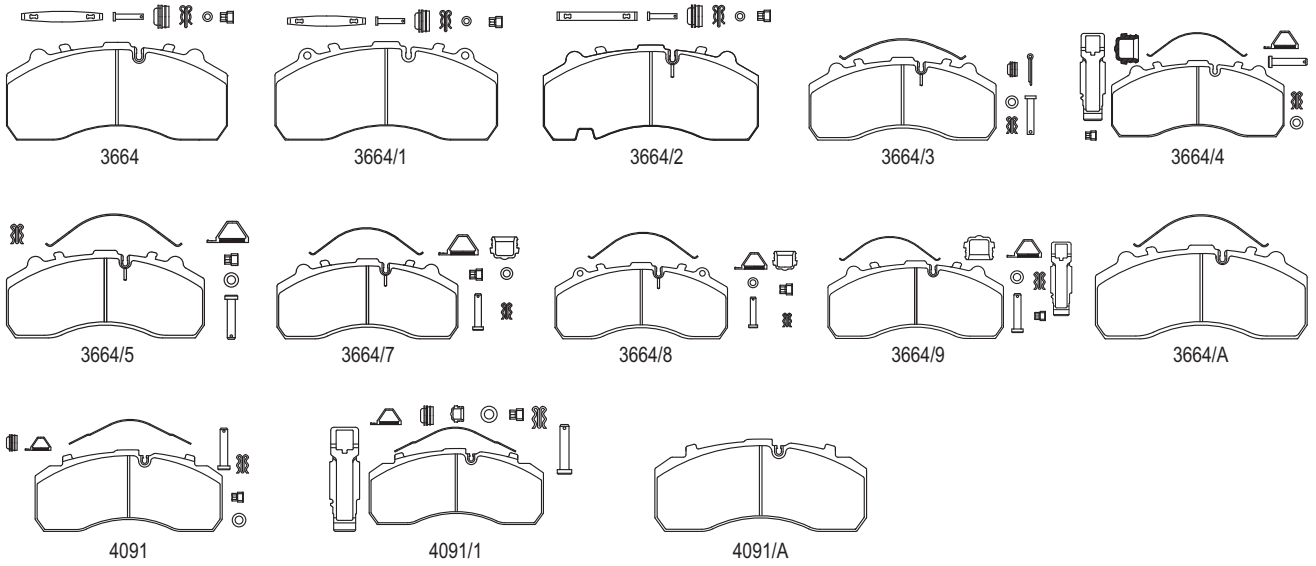
# **BRAKE PAD ILLUSTRATIONS**



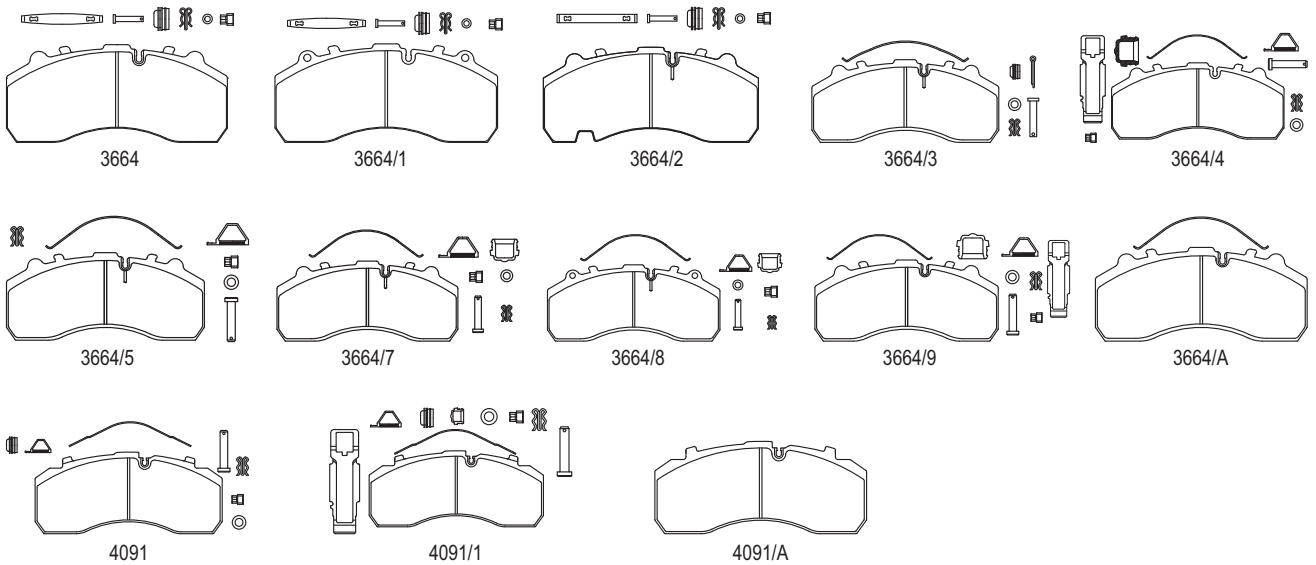




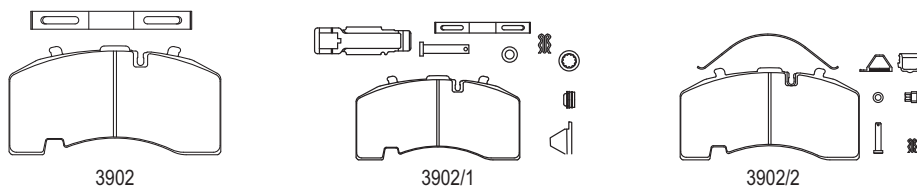
## BERKHOF



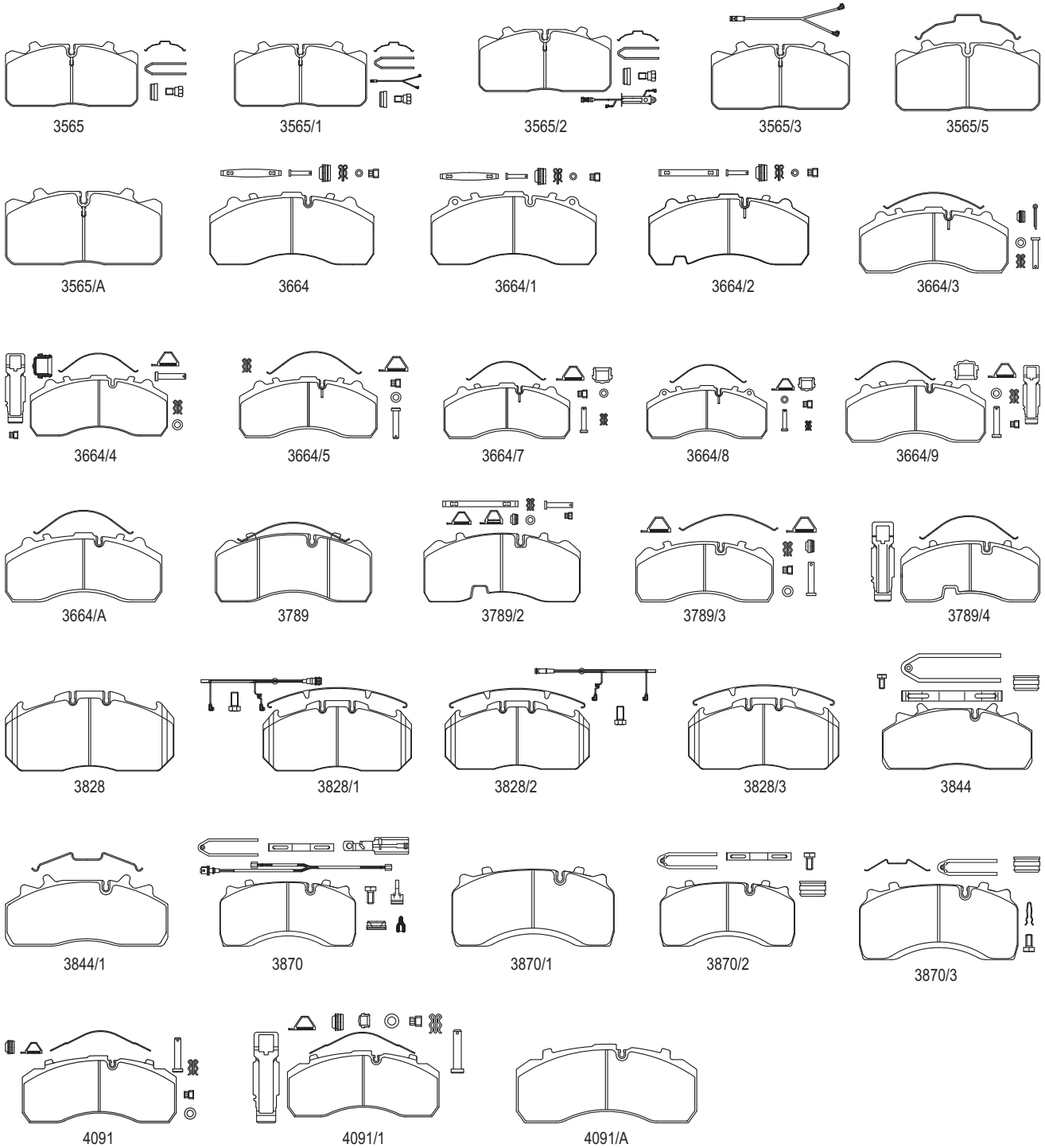
## BOVA



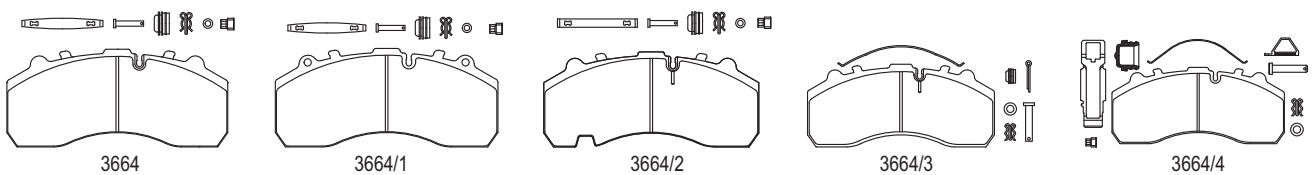
## BPW



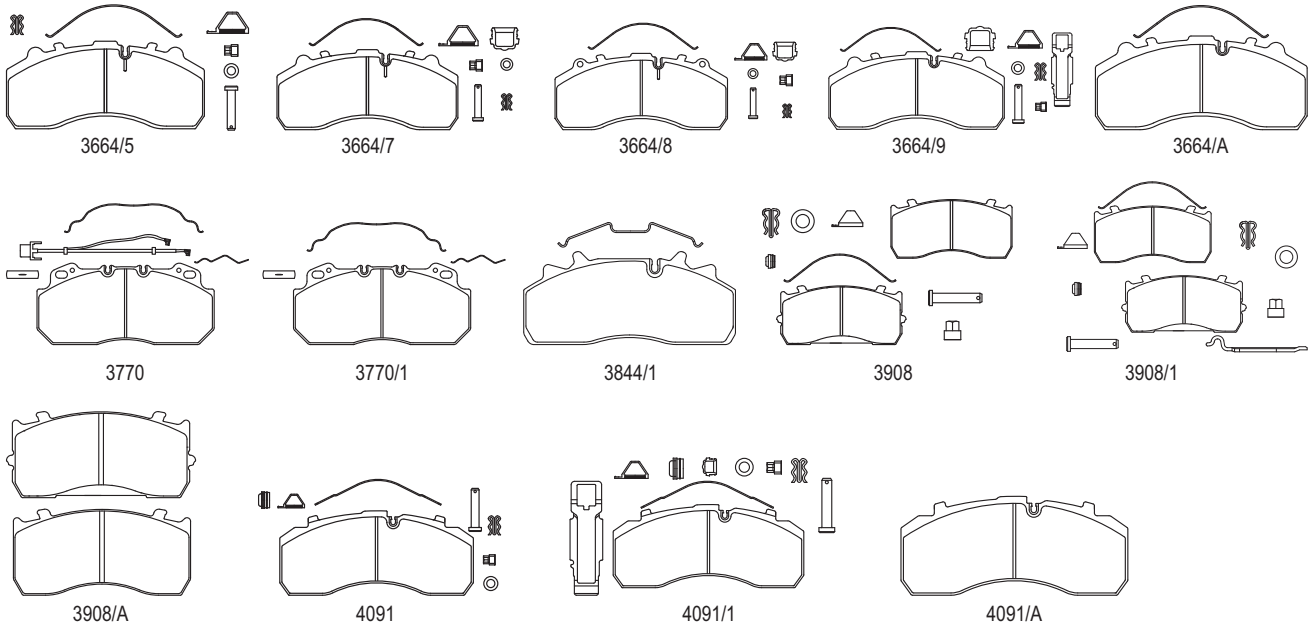
# DAF



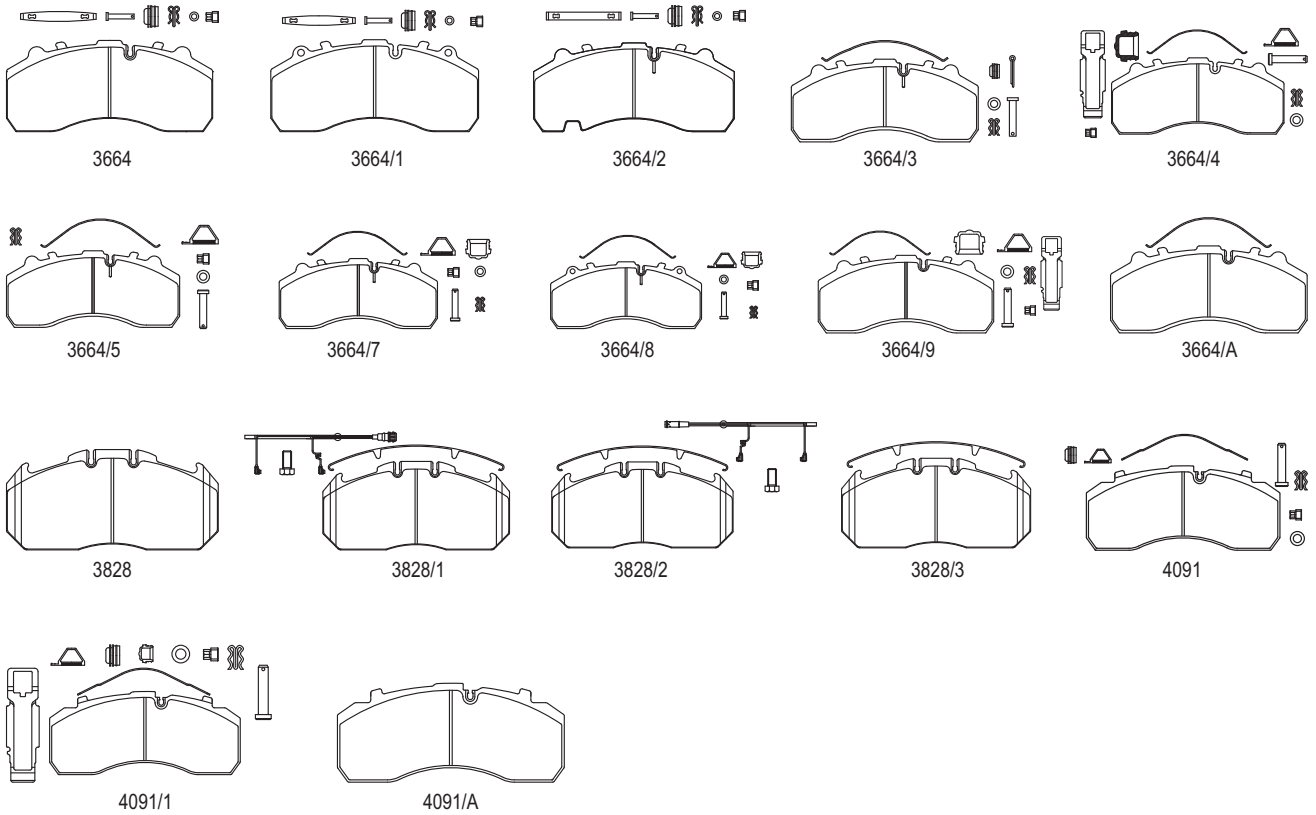
# DENNIS



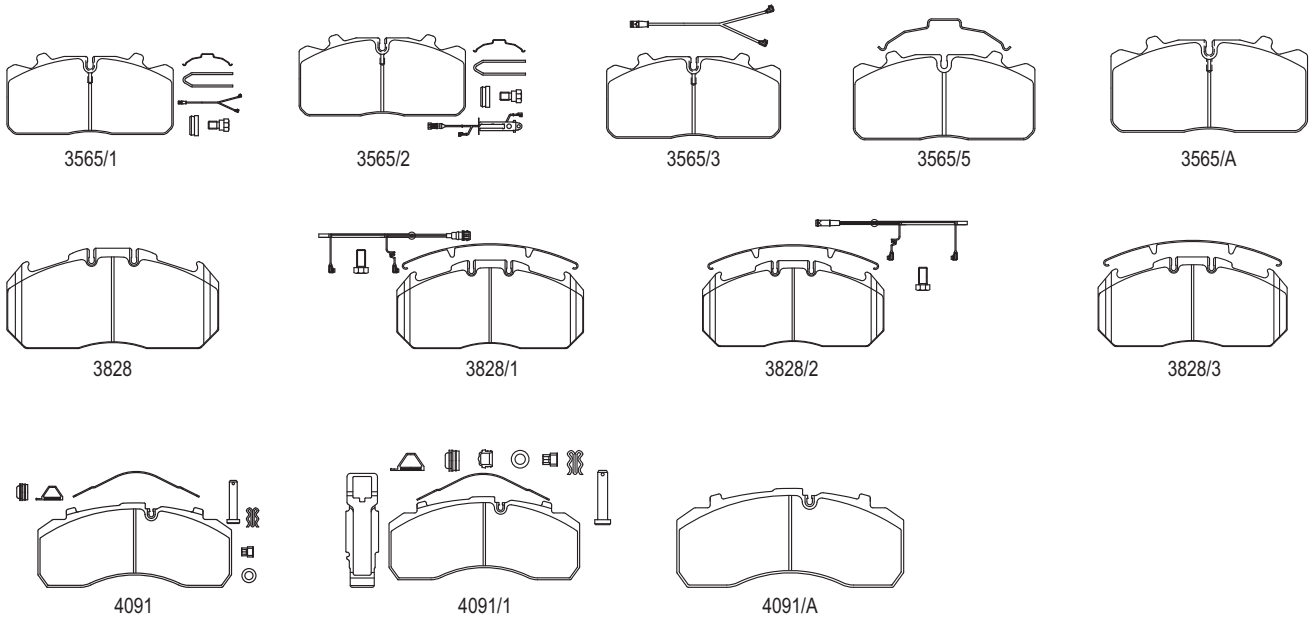
## DENNIS



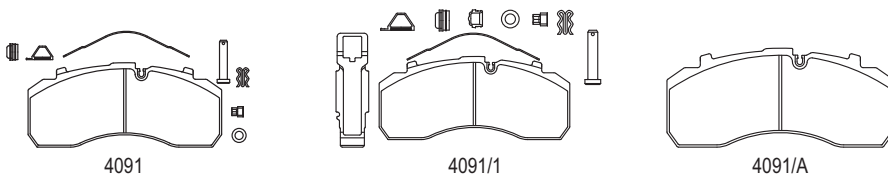
## ERF



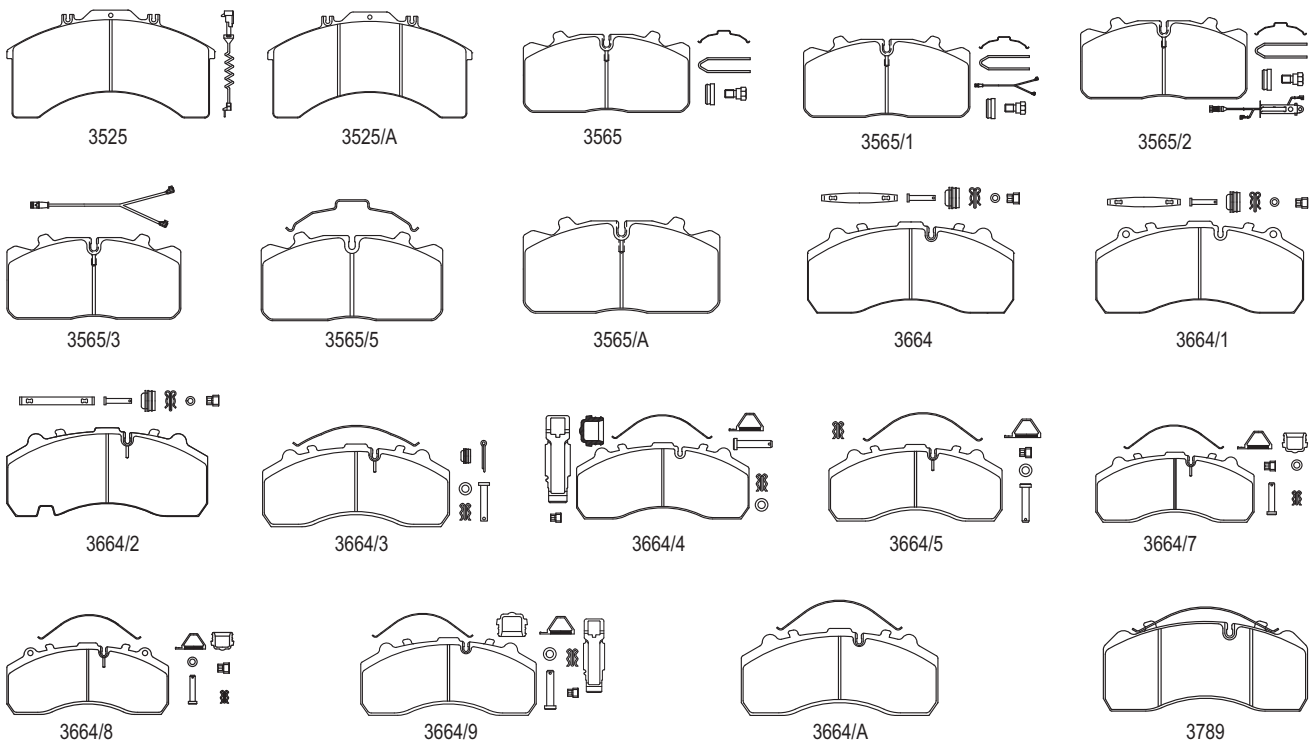
## IRISBUS



## IRIZAR

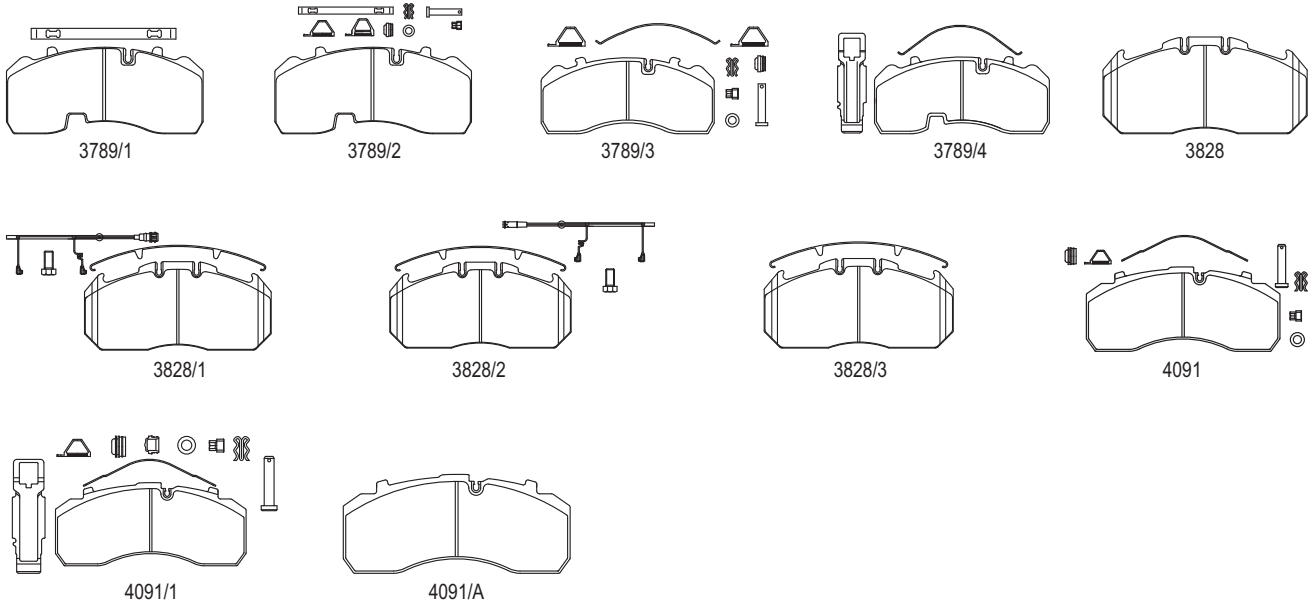


## IVECO

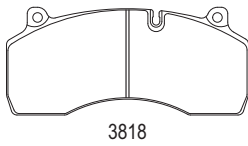




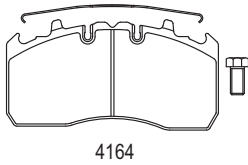
## IVECO



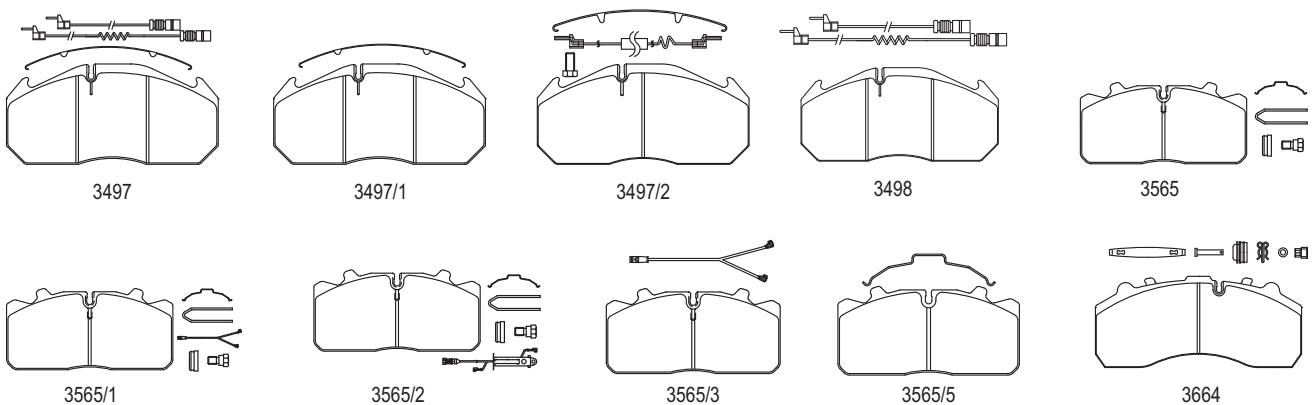
## KING LONG



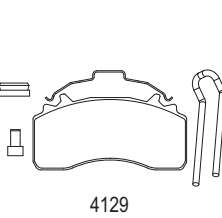
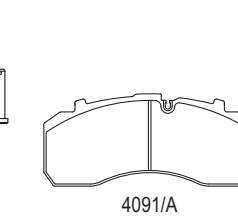
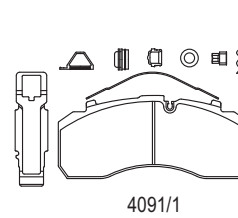
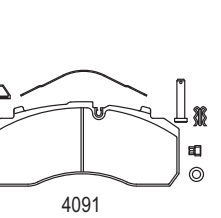
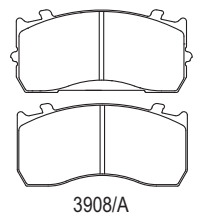
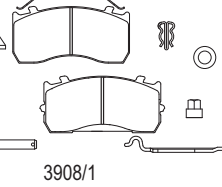
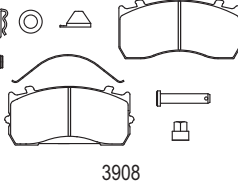
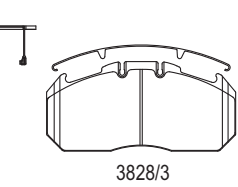
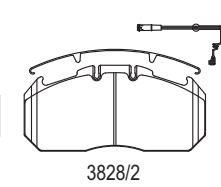
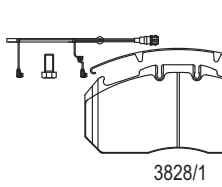
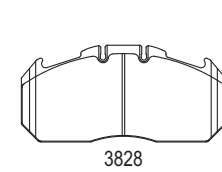
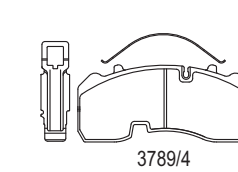
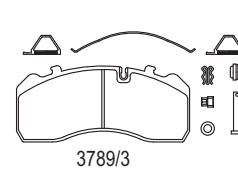
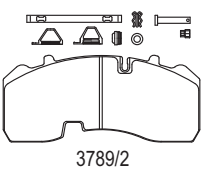
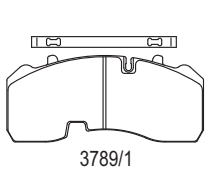
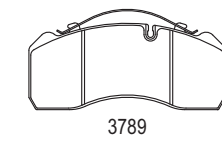
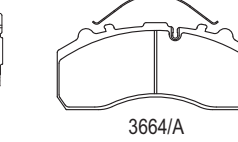
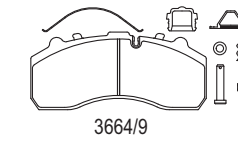
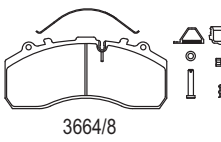
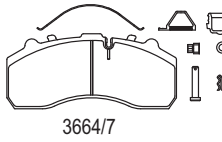
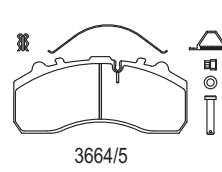
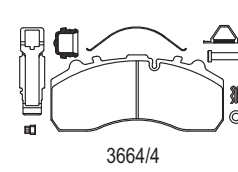
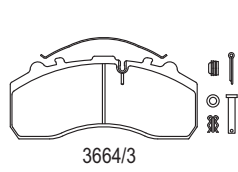
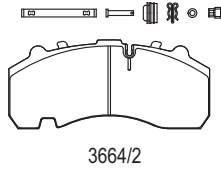
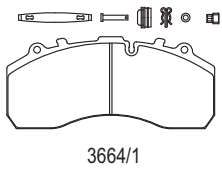
## KÖGEL



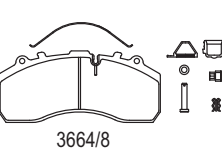
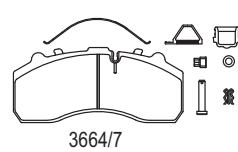
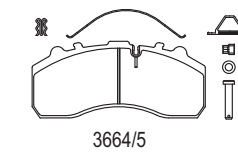
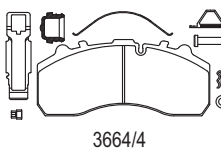
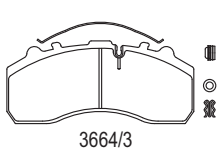
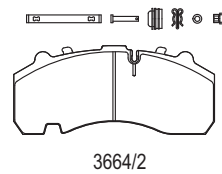
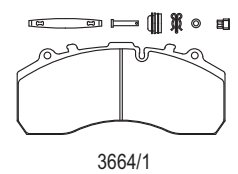
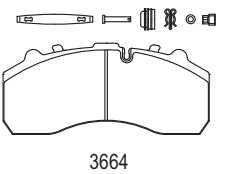
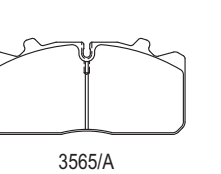
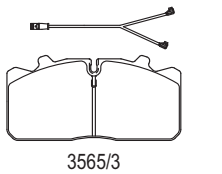
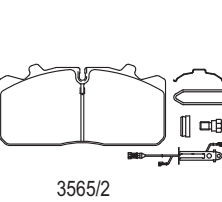
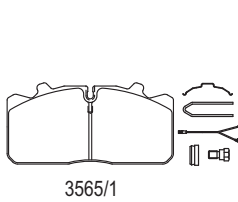
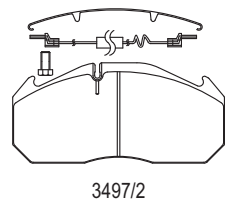
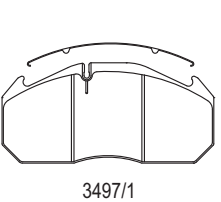
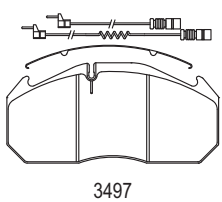
## MAN



# MAN

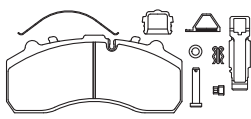


# MERCEDES-BENZ

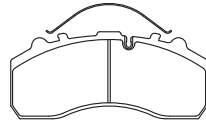




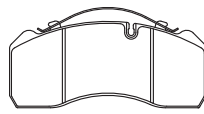
## MERCEDES-BENZ



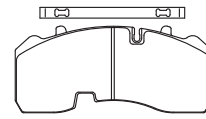
3664/9



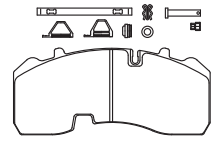
3664/A



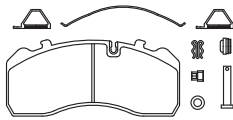
3789



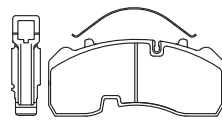
3789/1



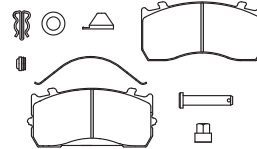
3789/2



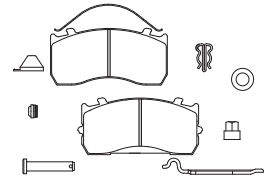
3789/3



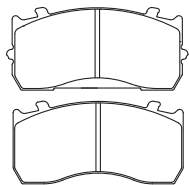
3789/4



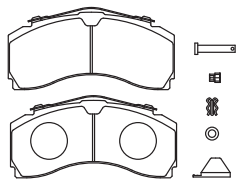
3908



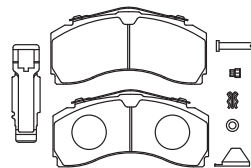
3908/1



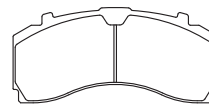
3908/A



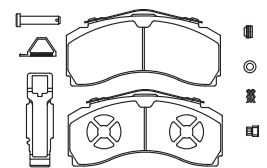
4050



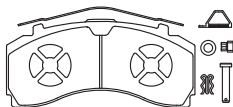
4050/1



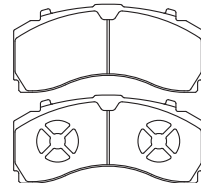
4050/2



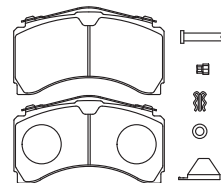
4050/3



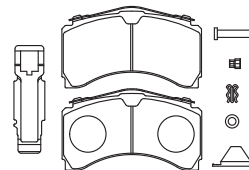
4050/10



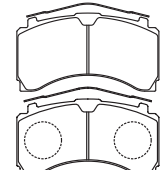
4050/A



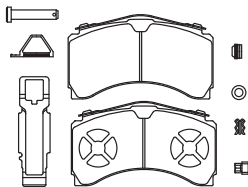
4051



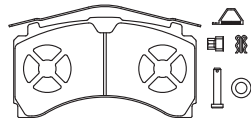
4051/1



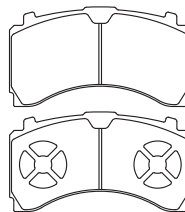
4051/2



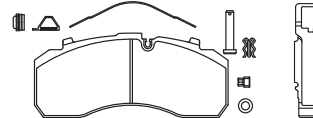
4051/3



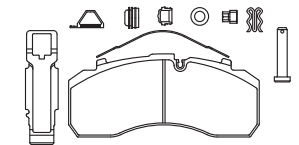
4051/10



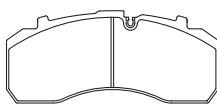
4051/A



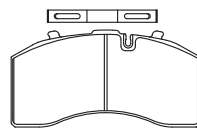
4091



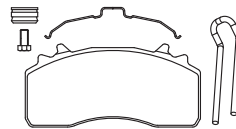
4091/1



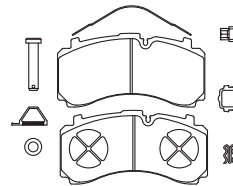
4091/A



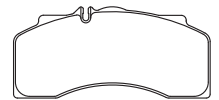
4243



4266

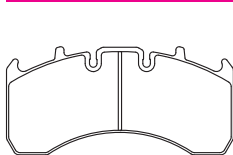


4302

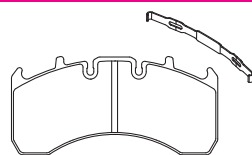


4322

## MERITOR AXLE

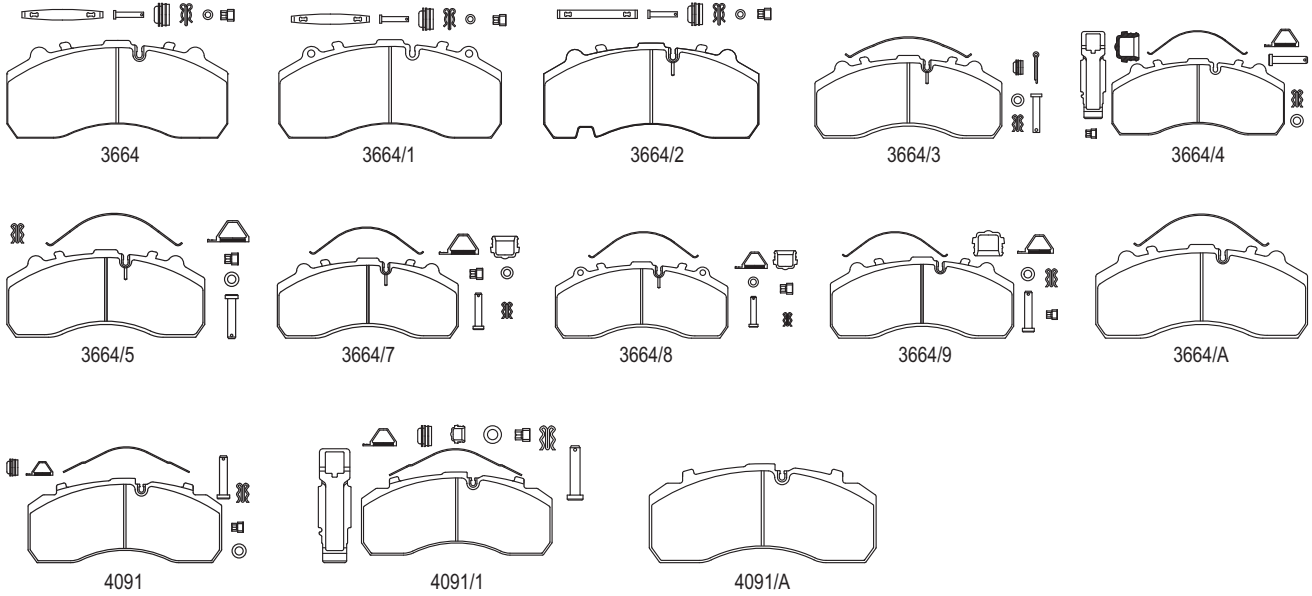


4131

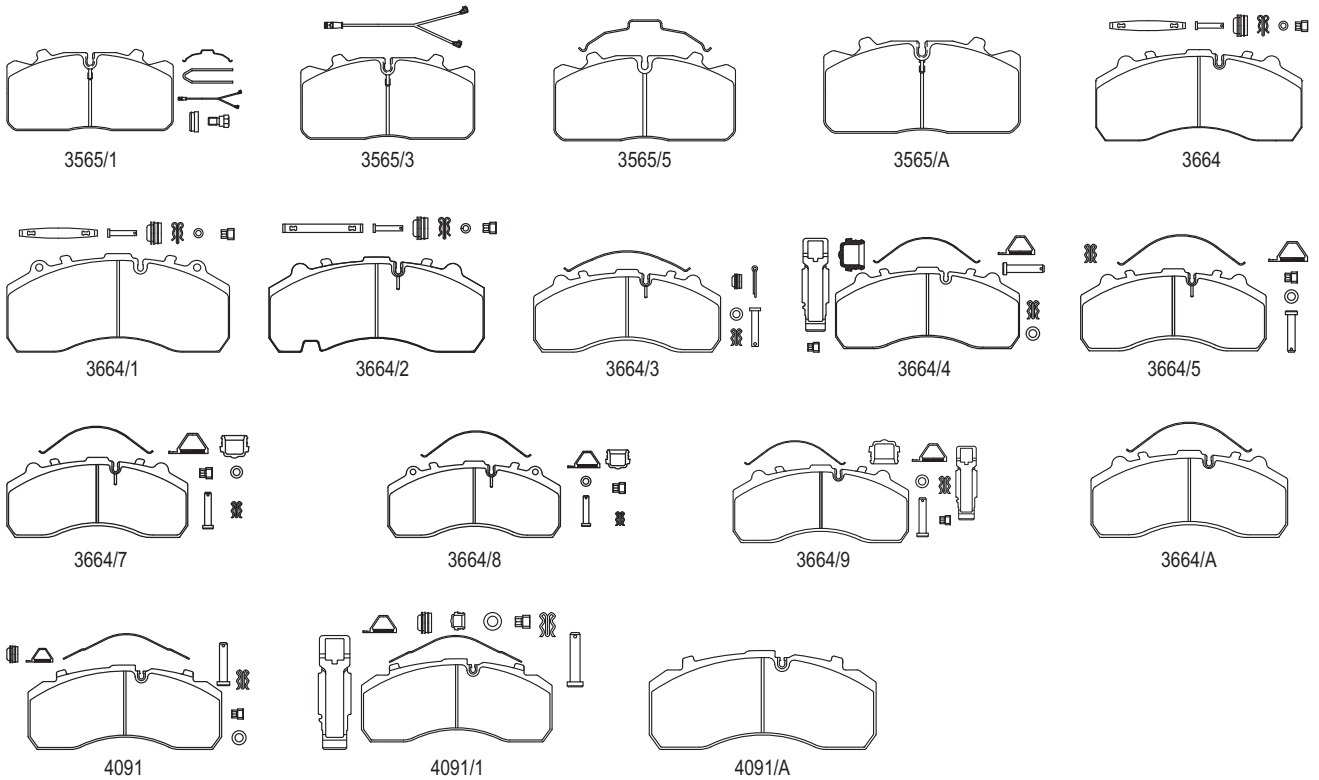


4131/1

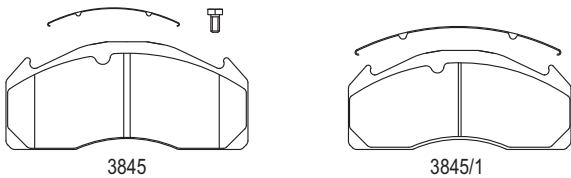
## NEOPLAN



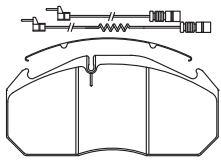
## OPTARE



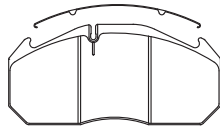
## PLAXTON



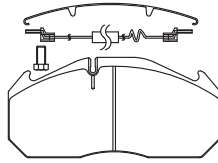
# RENAULT TRUCK



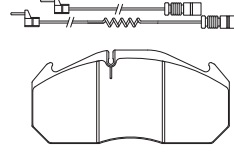
3497



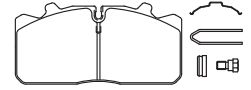
3497/1



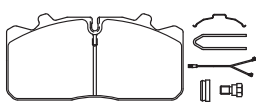
3497/2



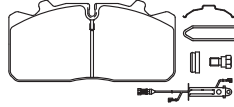
3498



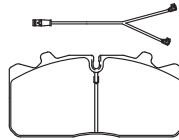
3565



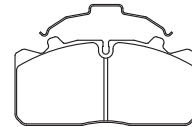
3565/1



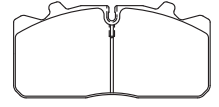
3565/2



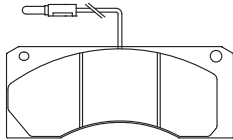
3565/3



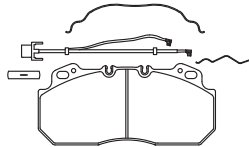
3565/5



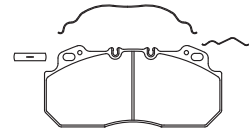
3565/A



3707



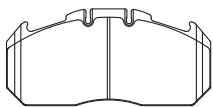
3770



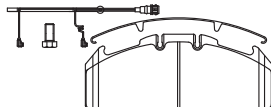
3770/1



3818



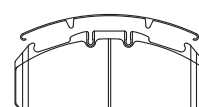
3828



3828/1



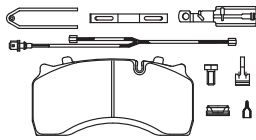
3828/2



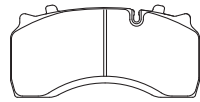
3828/3



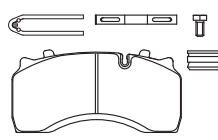
3837



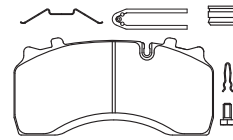
3870



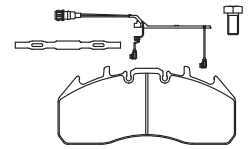
3870/1



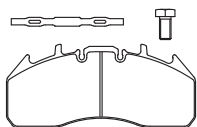
3870/2



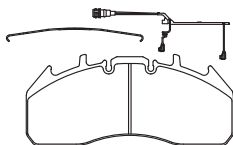
3870/3



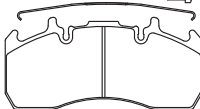
3917



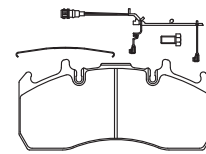
3917/1



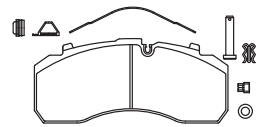
3917/3



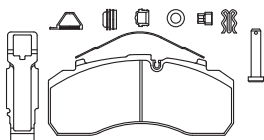
4047



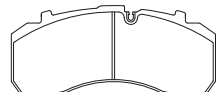
4047/1



4091



4091/1

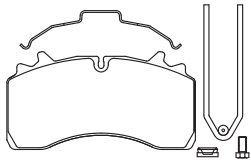


4091/A

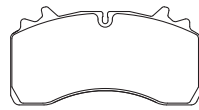


4290

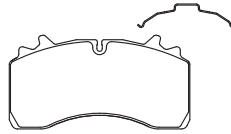
## SAF



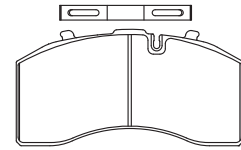
3839



3839/1

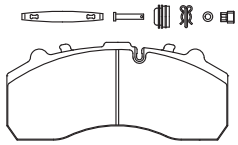


3839/2

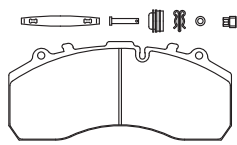


4243

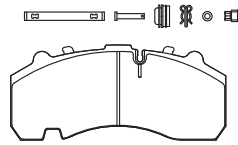
## SCANIA



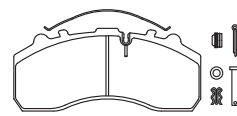
3664



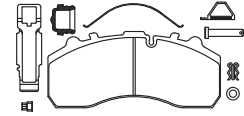
3664/1



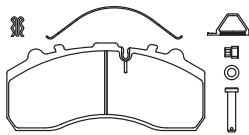
3664/2



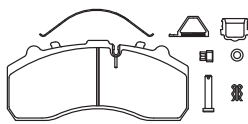
3664/3



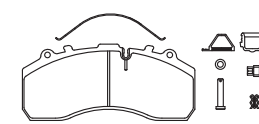
3664/4



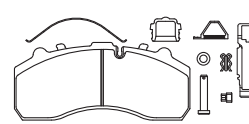
3664/5



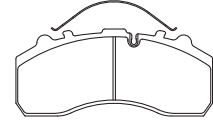
3664/7



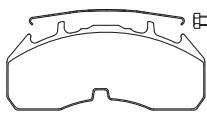
3664/8



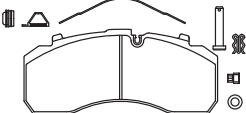
3664/9



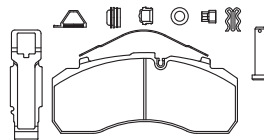
3664/A



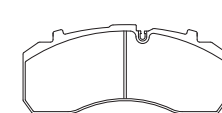
3917/2



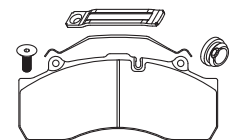
4091



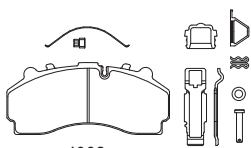
4091/1



4091/A

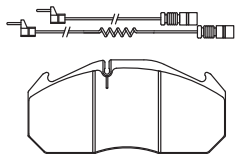


4359

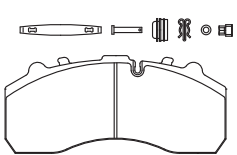


4362

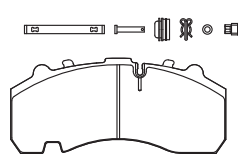
## SETRA



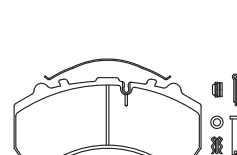
3498



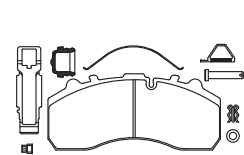
3664



3664/2



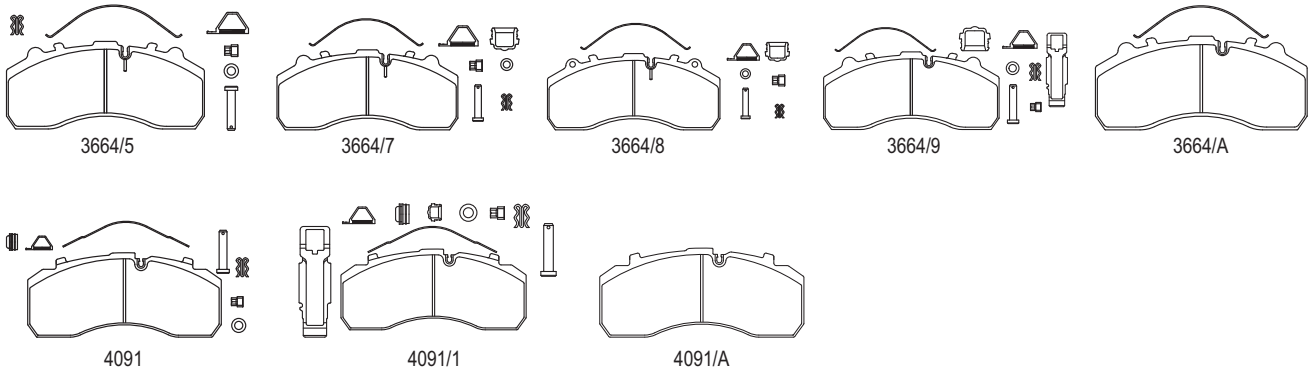
3664/3



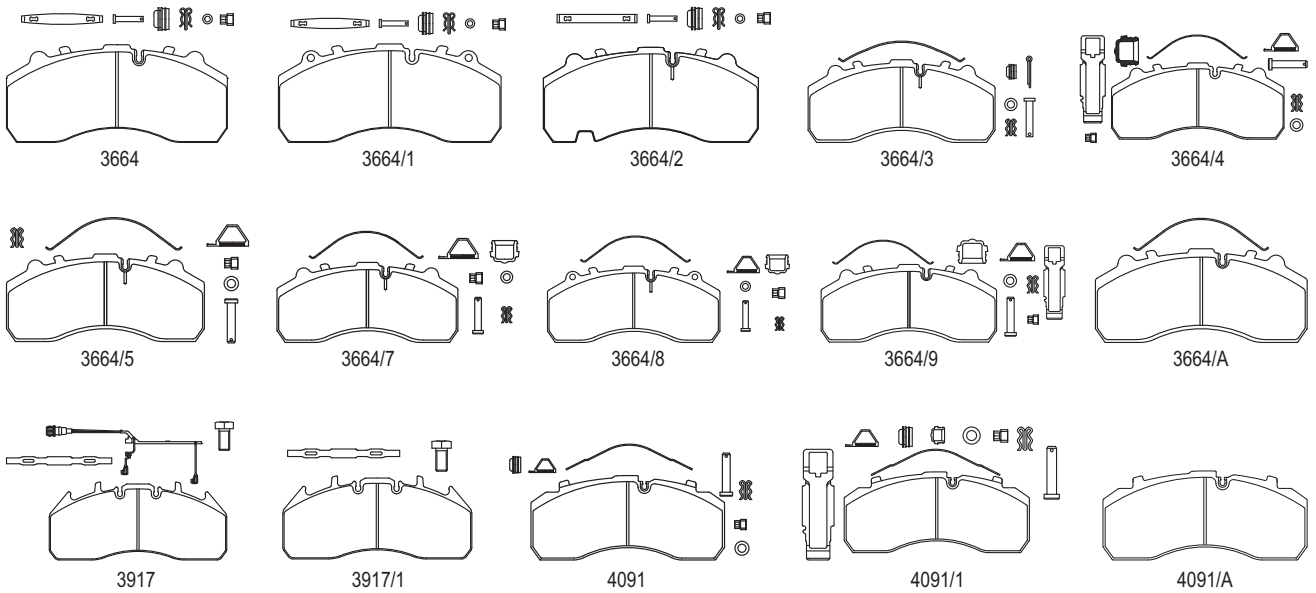
3664/4



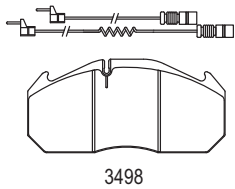
## SETRA



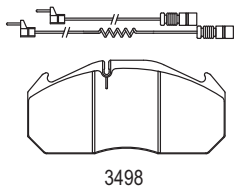
## SOLARIS



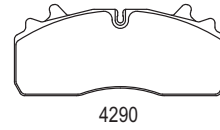
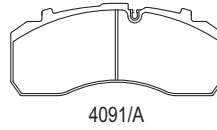
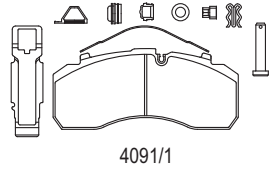
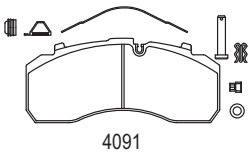
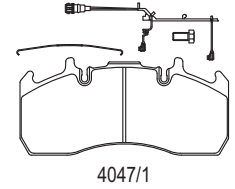
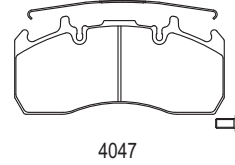
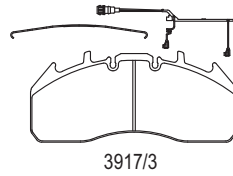
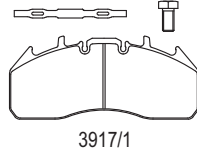
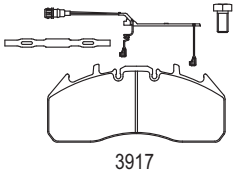
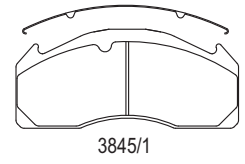
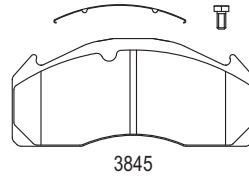
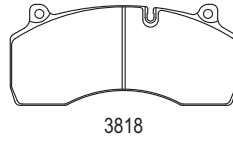
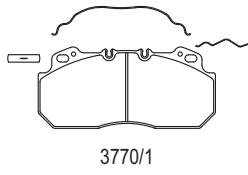
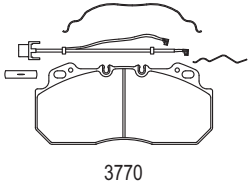
## TEMSA



## VAN HOOL



# VOLVO

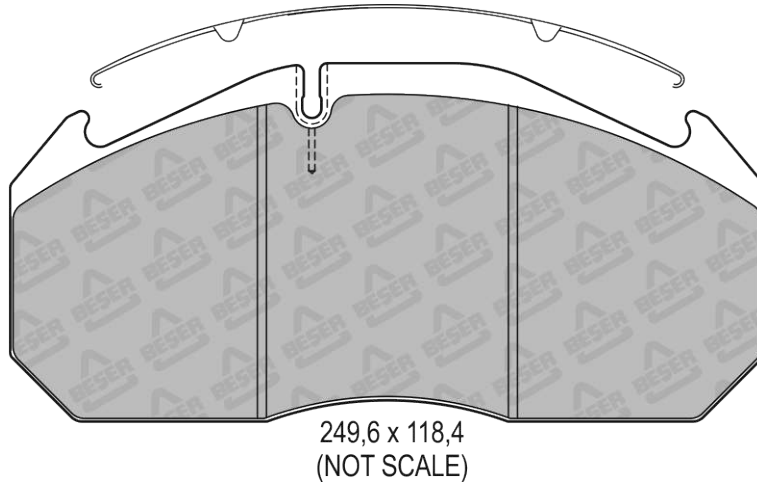
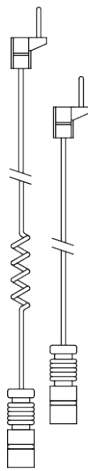




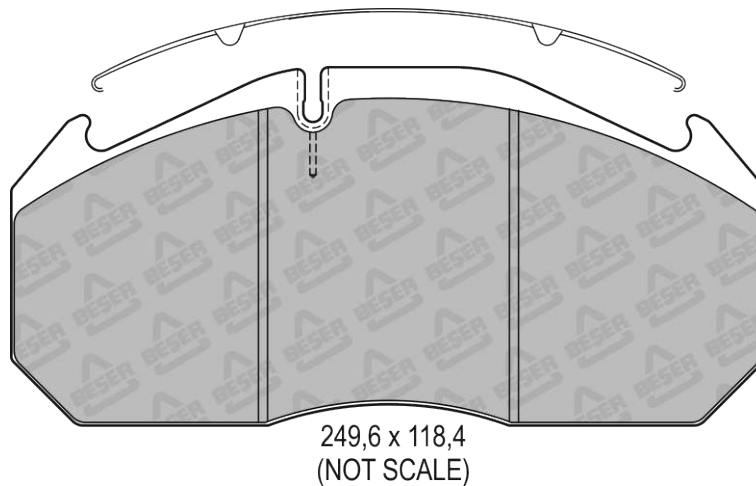
# **MANUFACTURERS CROSS REFERENCE TABLE**



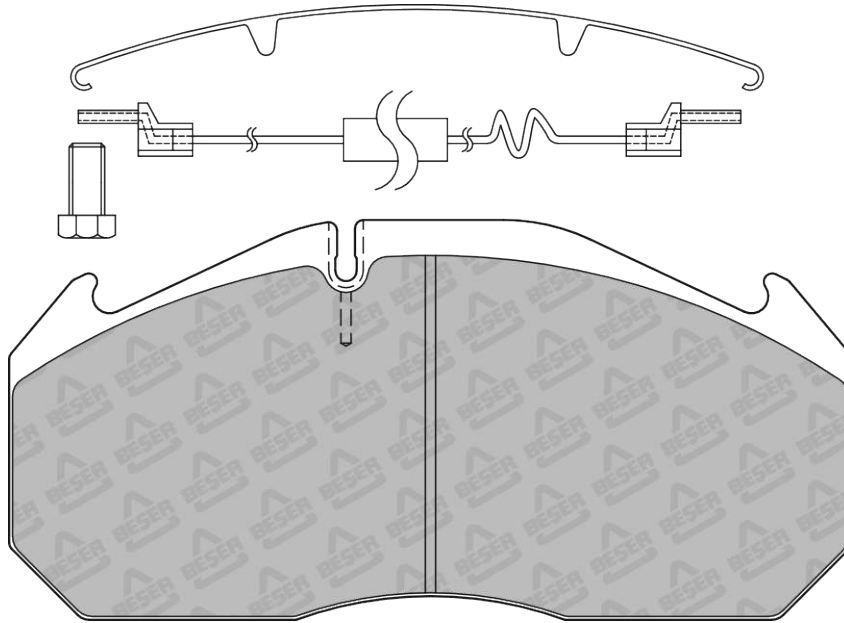
REFERENCE	T(mm)	REMARKS	MAKE	F/R	WVA No
3497	28	2 PADS WITH WEAR SENSOR	MAN- MERCEDES BENZ RENAULT TRUCKS	F/R	29030 29113 29053 29114 29083 29210 29084



REFERENCE	T(mm)	REMARKS	MAKE	F/R	WVA No
3497/1	28	4 PADS PLAIN	MAN- MERCEDES BENZ RENAULT TRUCKS	F/R	29030 29113 29053 29114 29083 29210 29084



REFERENCE	T(mm)	REMARKS	MAKE	F/R	WVA No
3497/2	28	2 PADS WITH WEAR SENSOR	MAN - MERCEDES BENZ RENAULT TRUCKS	F/R	29030 29113 29053 29114 29083 29210 29084



249,6 x 118,4  
(NOT SCALE)

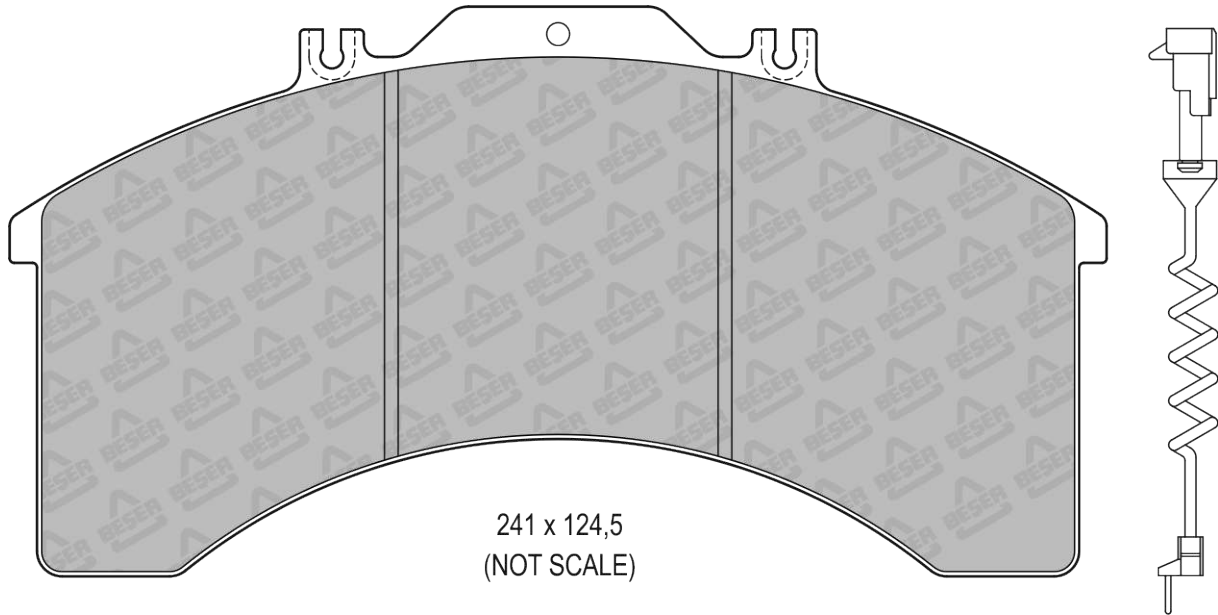
REFERENCE	T(mm)	REMARKS	MAKE	F/R	WVA No
3498	28	2 PADS WITH WEAR SENSOR	MAN - RENAULT TRUCKS - SETRA TEMSA - VAN HOOL	F/R	29030 29113 29053 29114 29083 29210 29084



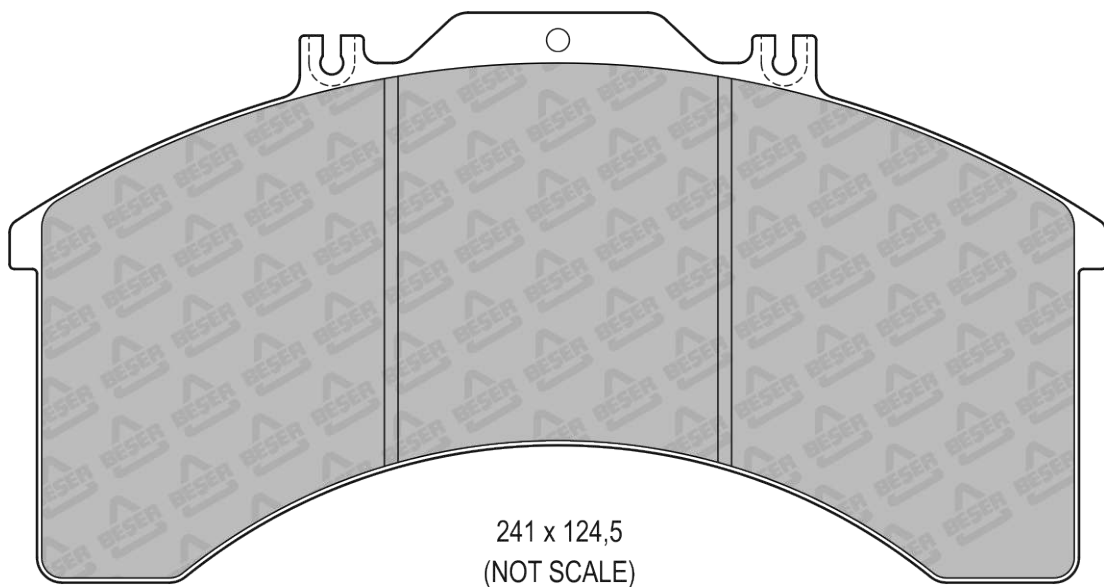
249,6 x 118,4  
(NOT SCALE)



REFERENCE	T(mm)	REMARKS	MAKE	F/R	WVA No
3525	25	2 PADS WITH WEAR SENSOR	IVECO	F/R	29011

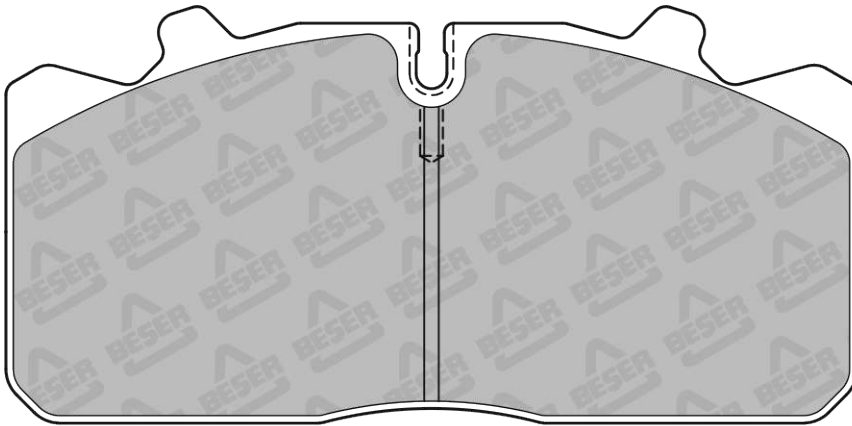


REFERENCE	T(mm)	REMARKS	MAKE	F/R	WVA No
3525/A	25	4 PADS PLAIN	IVECO	F/R	29011

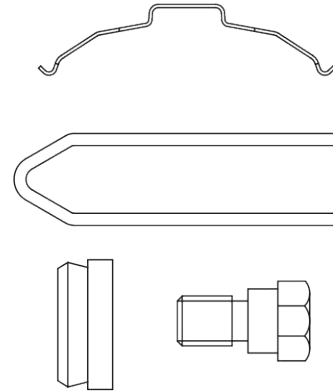




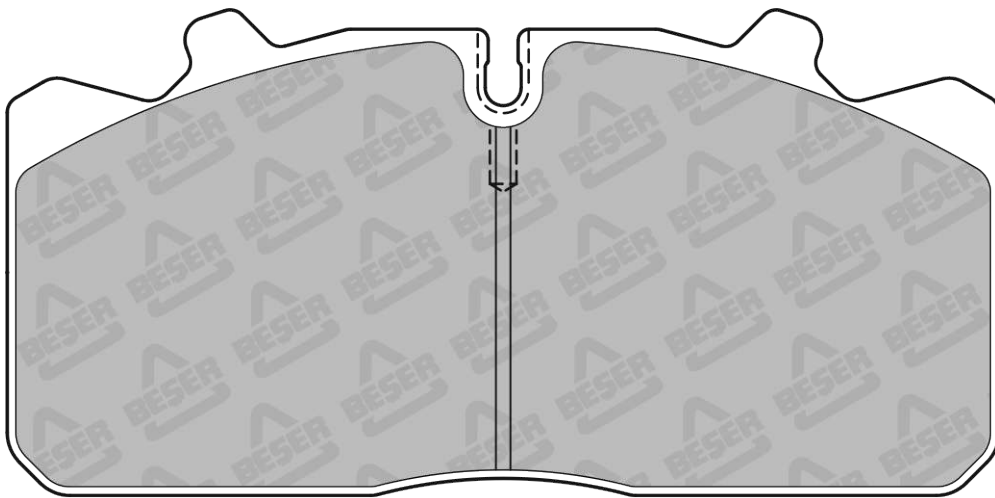
REFERENCE	T(mm)	REMARKS	MAKE	F/R	WVA No
3565	25	4 PADS PLAIN	DAF - IVECO - MAN - RENAULT TRUCKS	F/R	29088 29091



175,5 x85,75  
(NOT SCALE)



REFERENCE	T(mm)	REMARKS	MAKE	F/R	WVA No
3565/A	25	4 PADS PLAIN	DAF - IVECO - MAN - RENAULT TRUCKS	F/R	29088 29091

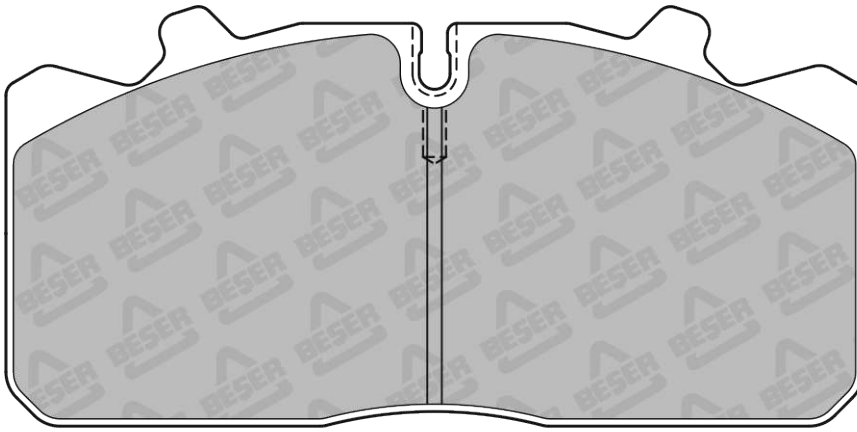


175,5 x 85,75  
(NOT SCALE)

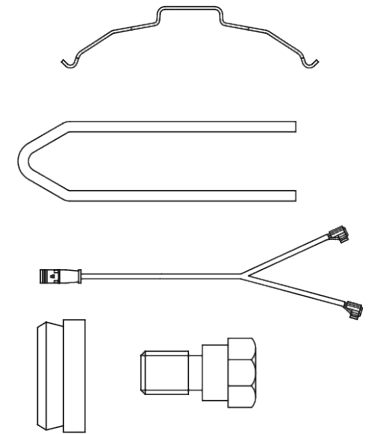




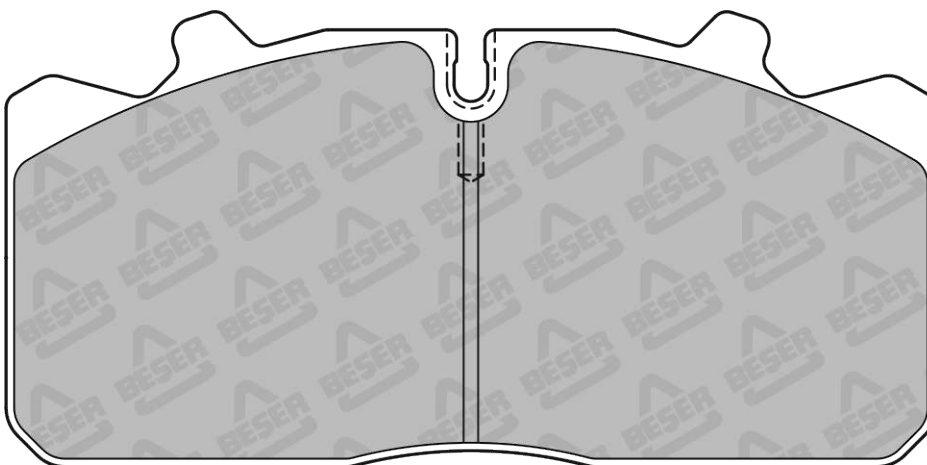
REFERENCE	T(mm)	REMARKS	MAKE	F/R	WVA No
3565/1	25	2 PADS WITH WEAR SENSOR	DAF - IVECO - MAN - RENAULT TRUCKS	F/R	29088 29091



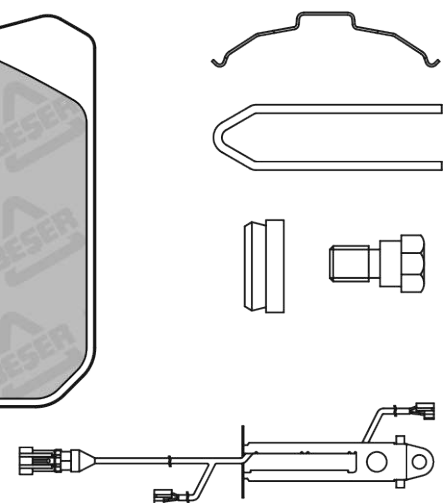
175,5 x85,75  
(NOT SCALE)



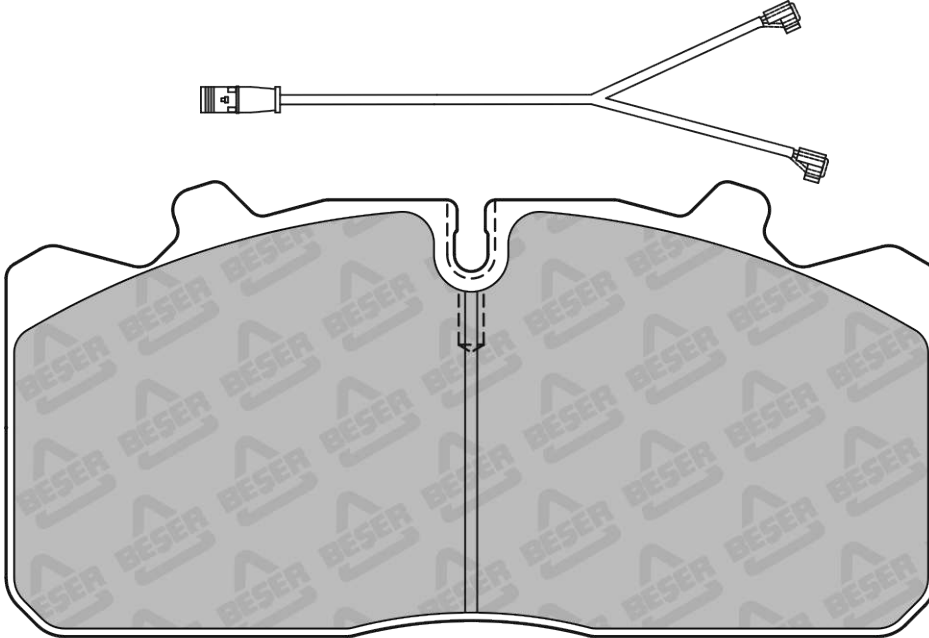
REFERENCE	T(mm)	REMARKS	MAKE	F/R	WVA No
3565/2	25	2 PADS WITH WEAR SENSOR	DAF - IVECO - MAN - RENAULT TRUCKS	F/R	29088



175,5 x85,75  
(NOT SCALE)

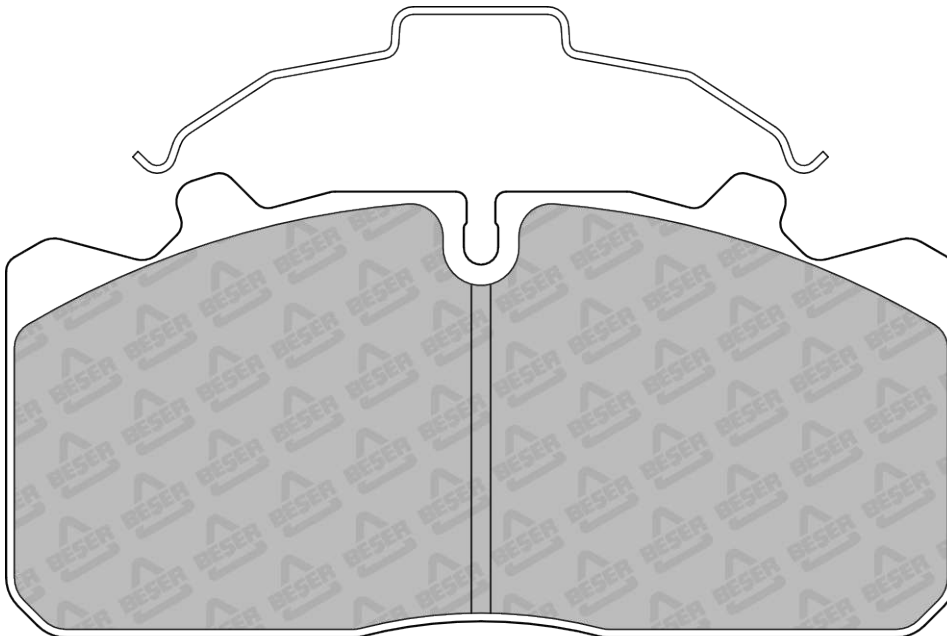


REFERENCE	T(mm)	REMARKS	MAKE	F/R	WVA No
3565/3	25	2 PADS WITH WEAR SENSOR	DAF - IVECO - MAN - RENAULT TRUCKS	F/R	29088



175,5 x85,75  
(NOT SCALE)

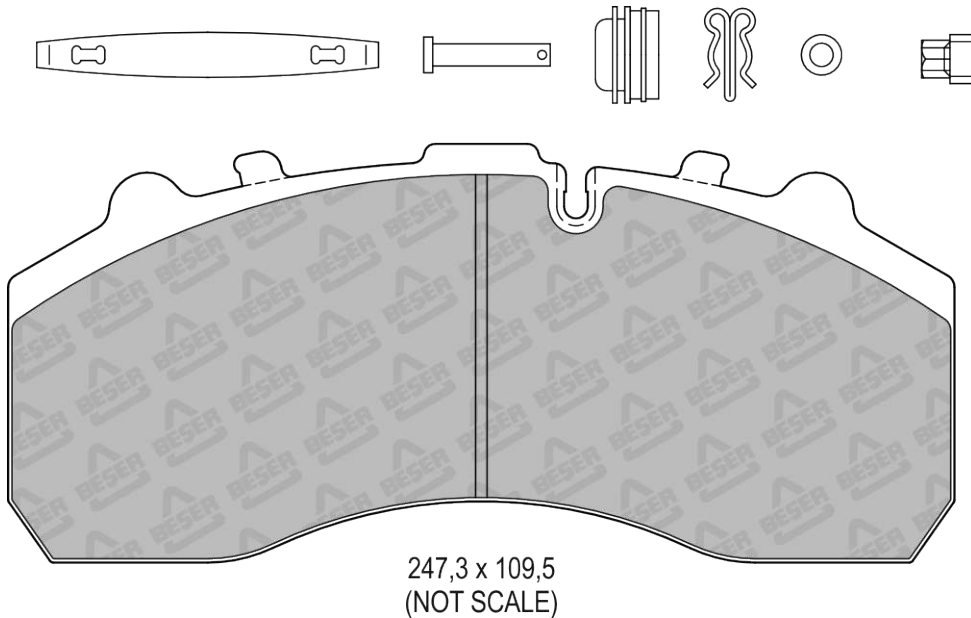
REFERENCE	T(mm)	REMARKS	MAKE	F/R	WVA No
3565/5	25	4 PADS PLAIN	DAF - IVECO - MAN - RENAULT TRUCKS	F/R	29088 29091



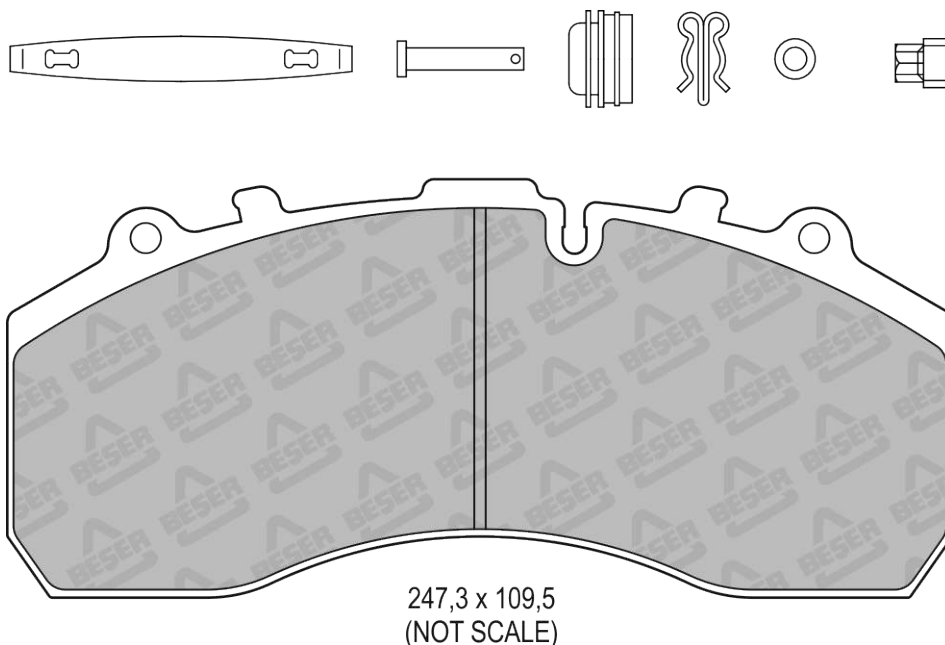
175,5 x85,75  
(NOT SCALE)



REFERENCE	T(mm)	REMARKS	MAKE	F/R	WVA No
3664	30	4 PADS PLAIN	BERKHOF-BOVA-DAF-DENNIS-ERF-IVECO MAN-MERCEDES BENZ-NEOPLAN-OPTARE SCANIA - SETRA - SOLARIS	F/R	29059 29108 29202 29061 29109 29087 29163 29105 29179 29106 29201

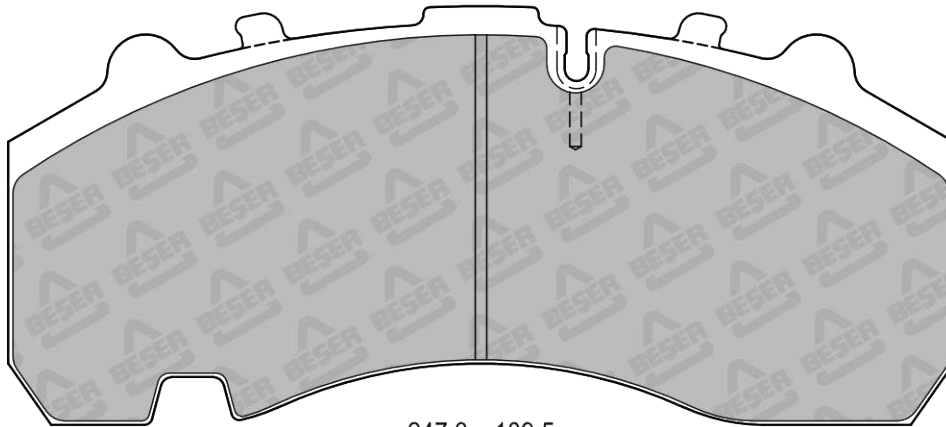


REFERENCE	T(mm)	REMARKS	MAKE	F/R	WVA No
3664/1	30	4 PADS PLAIN	BERKHOF-BOVA-DAF-DENNIS-ERF-IVECO MAN-MERCEDES BENZ-NEOPLAN-OPTARE SCANIA - SETRA - SOLARIS	F/R	29105



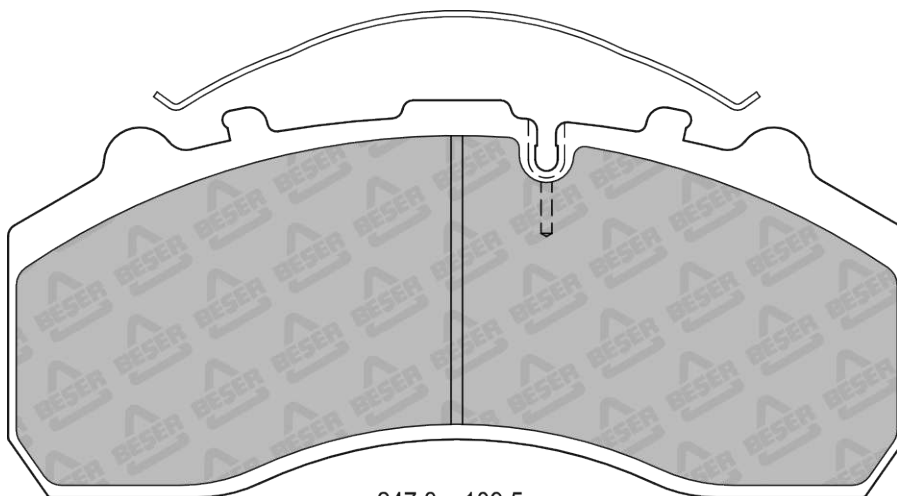


REFERENCE	T(mm)	REMARKS	MAKE	F/R	WVA No
3664/2	30	4 PADS PLAIN	BERKHOF-BOVA-DAF-DENNIS-ERF-IVECO MAN-MERCEDES BENZ-NEOPLAN-OPTARE SCANIA - SETRA - SOLARIS	F/R	29167

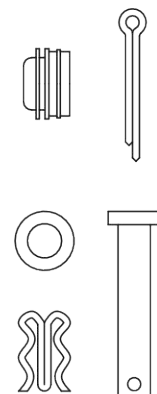


247,3 x 109,5  
(NOT SCALE)

REFERENCE	T(mm)	REMARKS	MAKE	F/R	WVA No
3664/3	30	4 PADS PLAIN	BERKHOF-BOVA-DENNIS-ERF-IVECO MAN-MERCEDES BENZ-NEOPLAN-OPTARE SCANIA - SETRA - SOLARIS	F/R	29059 29108 29202 29061 29109 29087 29163 29105 29179 29106 29201

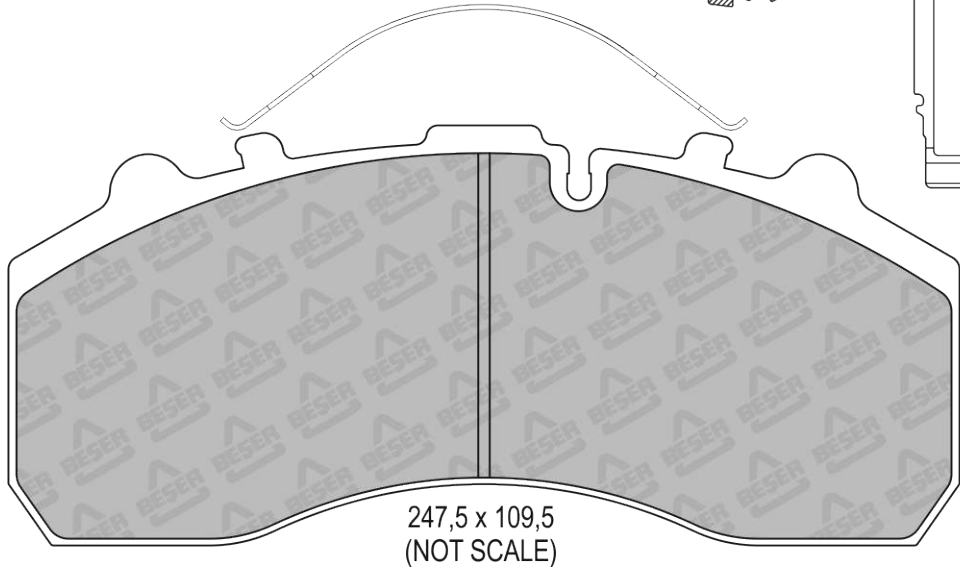
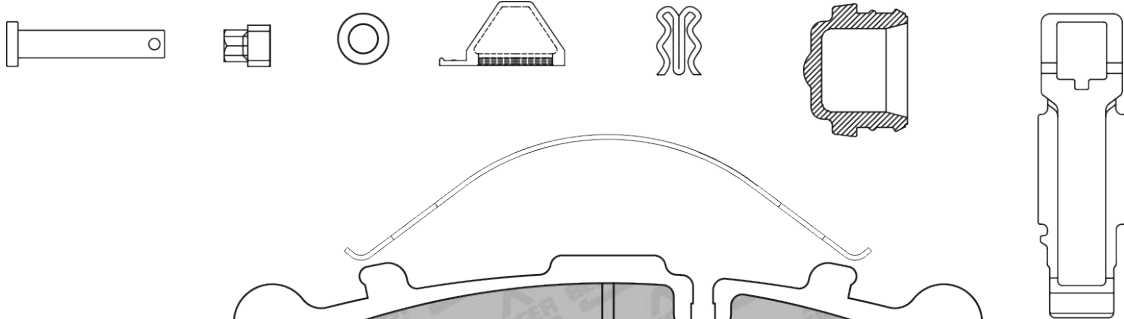


247,3 x 109,5  
(NOT SCALE)

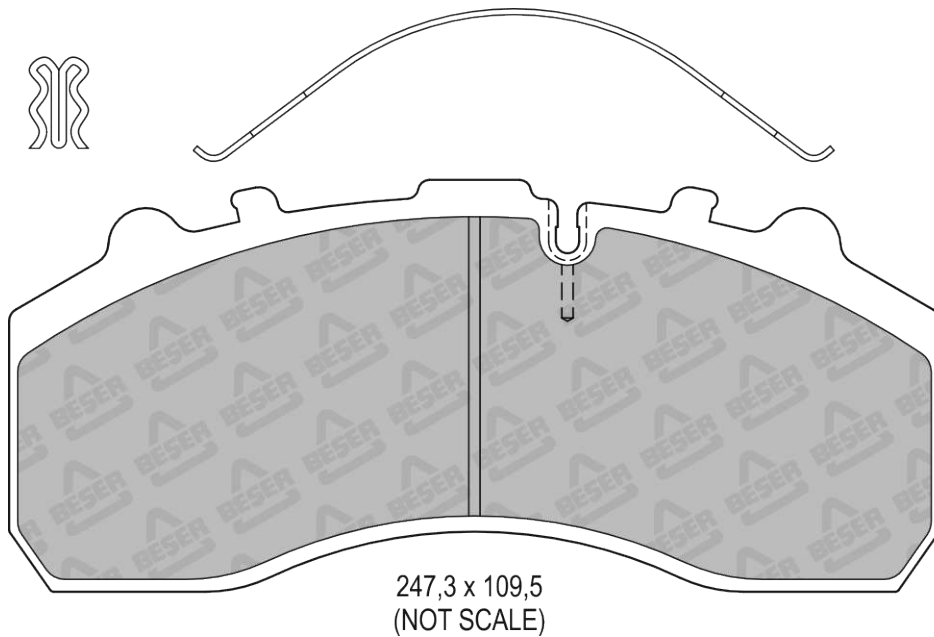
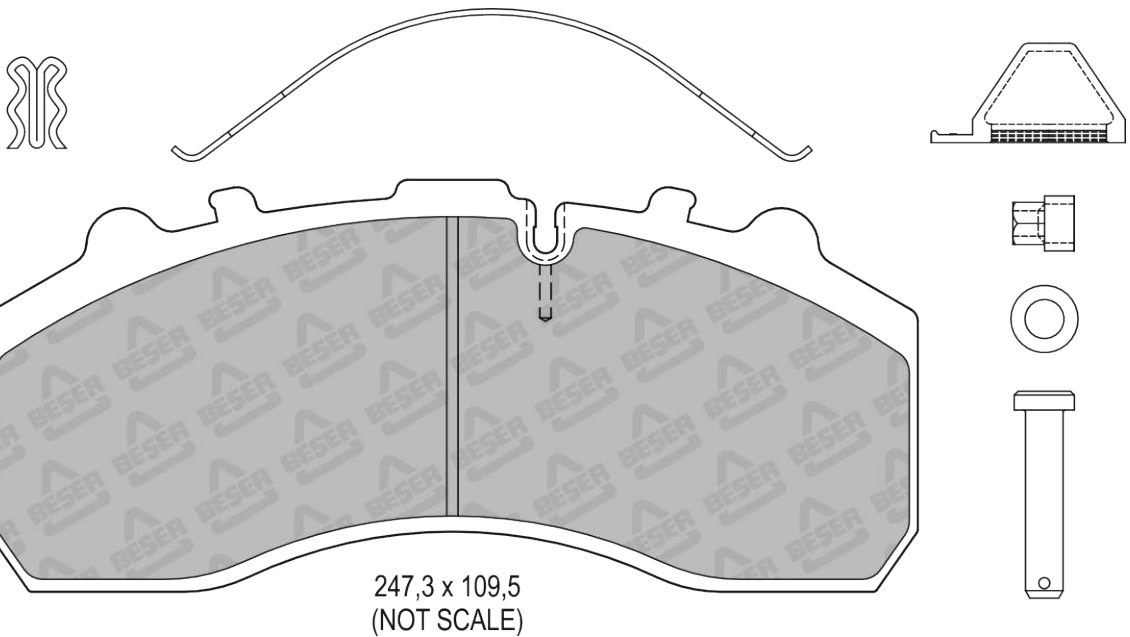




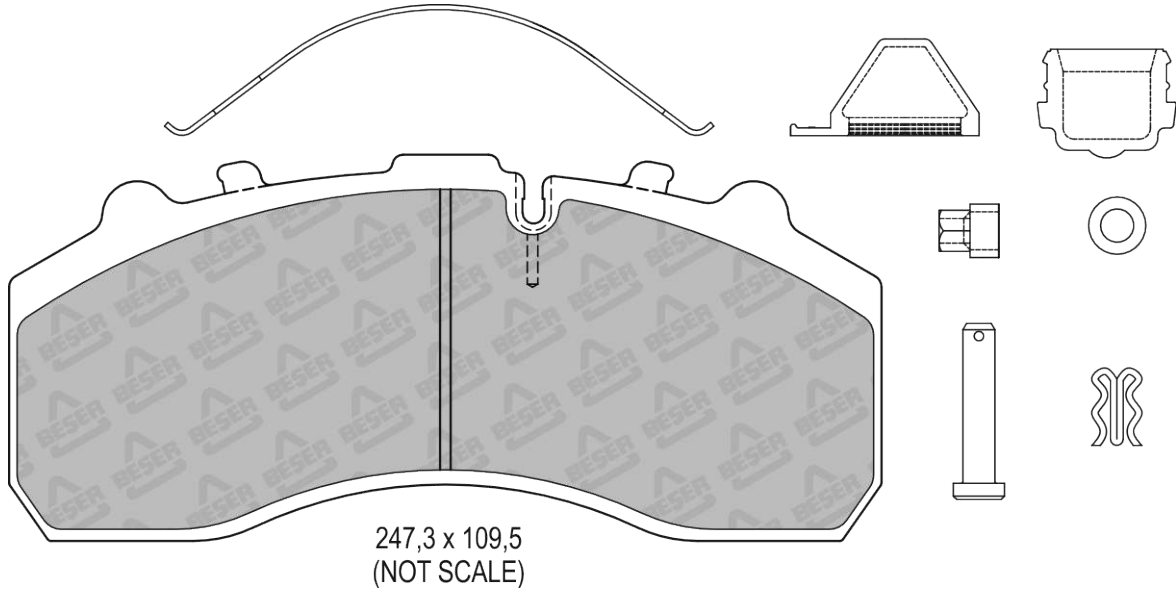
REFERENCE	T(mm)	REMARKS	MAKE	F/R	WVA No
3664/4	30	4 PADS PLAIN	BERKHOF-BOVA-DAF-DENNIS-ERF-IVECO MAN-MERCEDES BENZ-NEOPLAN-OPTARE SCANIA - SETRA - SOLARIS	F - R	29059 29109 29061 29163 29087 29179 29106 29201 29108 29202



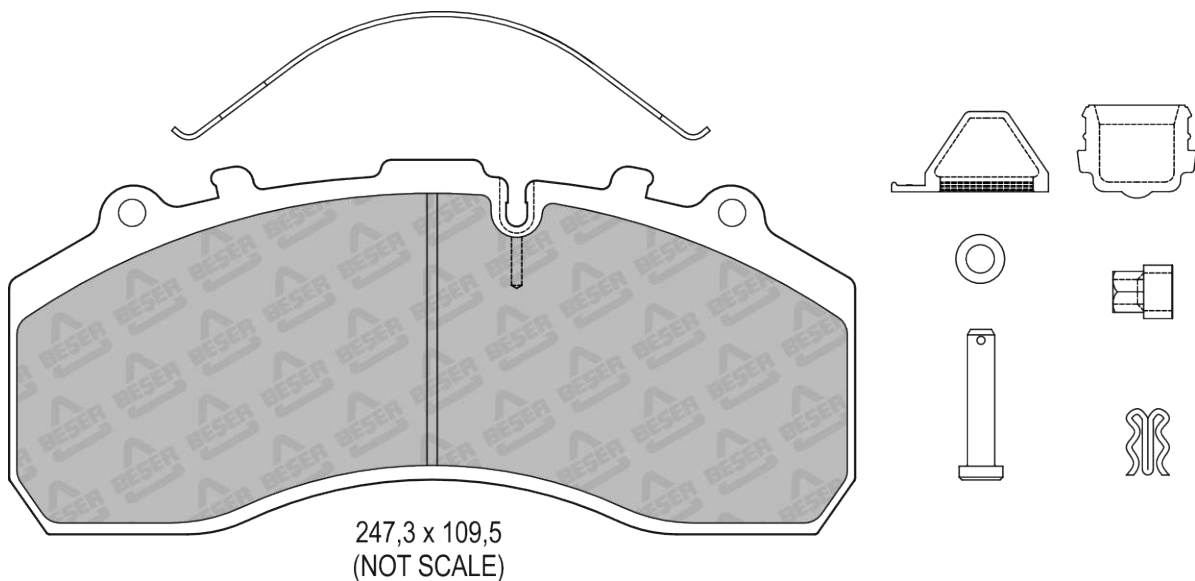
REFERENCE	T(mm)	REMARKS	MAKE	F/R	WVA No
3664/5	30	4 PADS PLAIN	BERKHOF-BOVA-DAF-DENNIS-ERF-IVECO MAN-MERCEDES BENZ-NEOPLAN-OPTARE SCANIA - SETRA - SOLARIS	F/R	29087



REFERENCE	T(mm)	REMARKS	MAKE	F/R	WVA No
3664/7	30	4 PADS PLAIN	BERKHOF-BOVA-DAF-DENNIS-ERF-IVECO MAN-MERCEDES BENZ-NEOPLAN-OPTARE SCANIA - SETRA - SOLARIS	F/R	29087



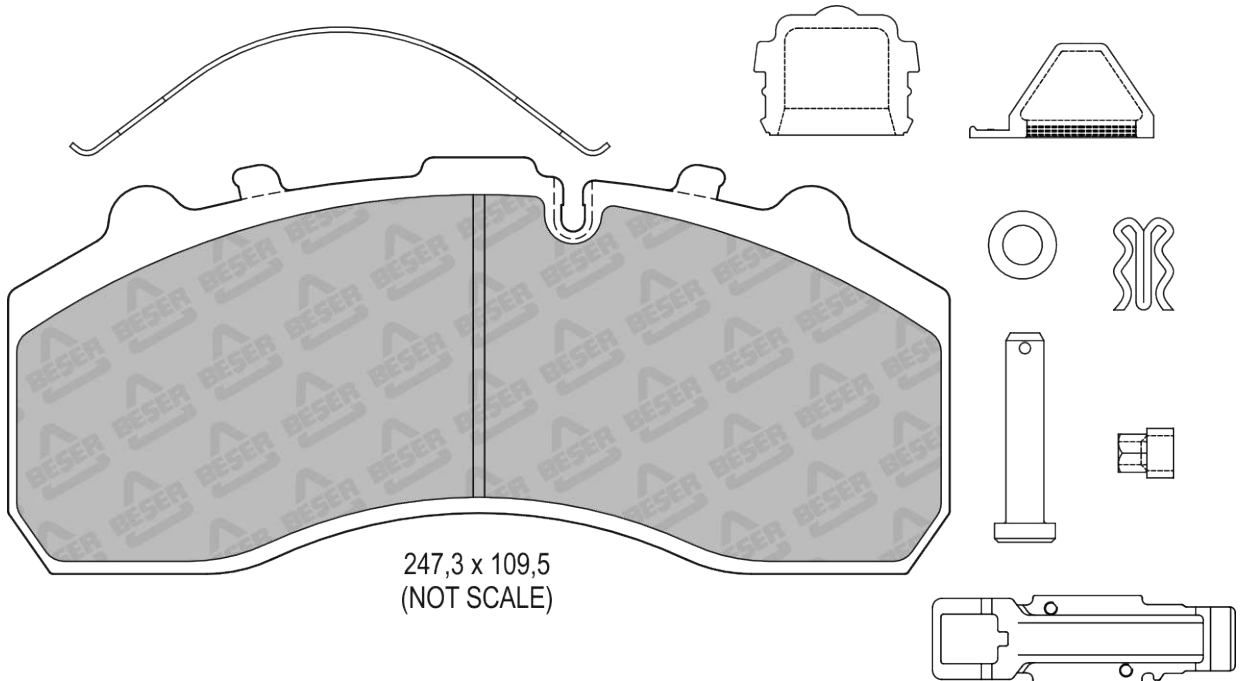
REFERENCE	T(mm)	REMARKS	MAKE	F/R	WVA No
3664/8	30	4 PADS PLAIN	BERKHOF-BOVA-DAF-DENNIS-ERF-IVECO MAN-MERCEDES BENZ-NEOPLAN-OPTARE SCANIA - SETRA - SOLARIS	F/R	29105



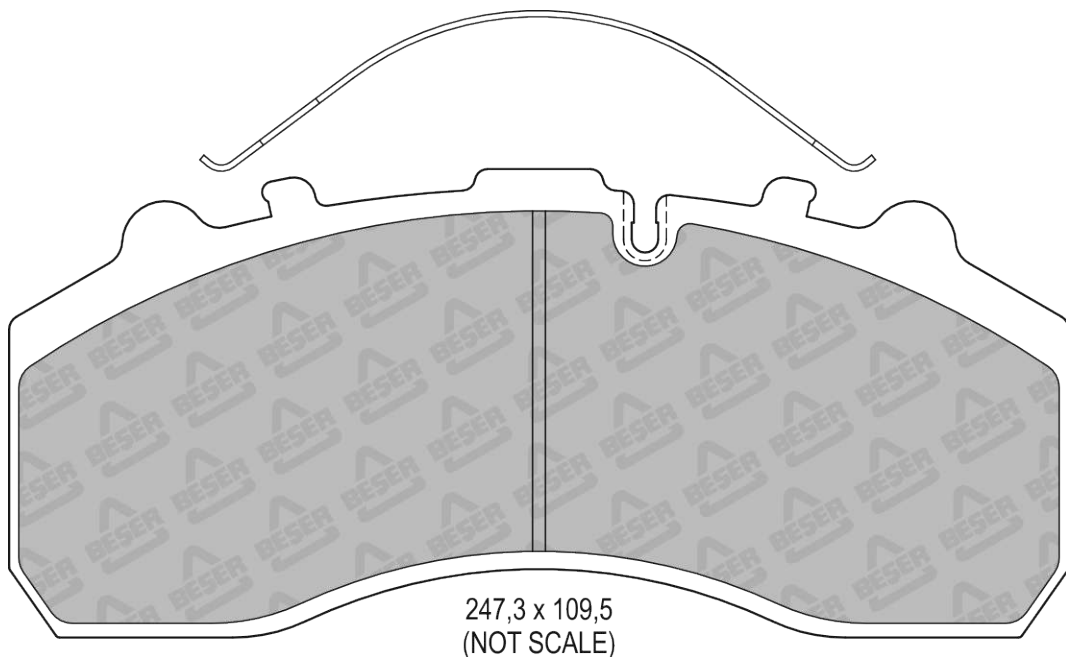




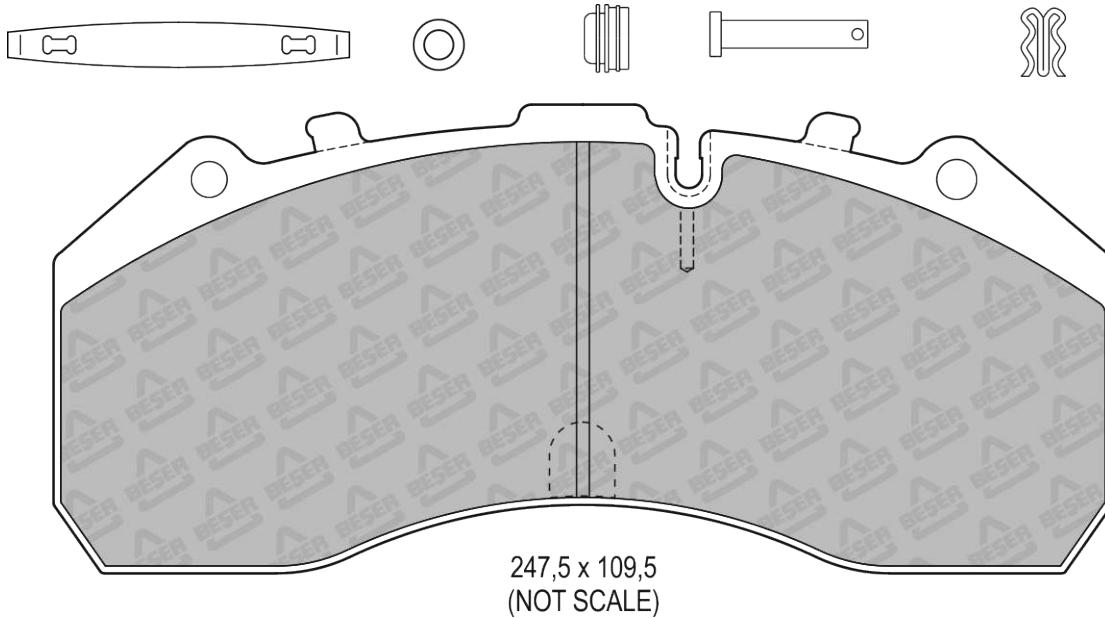
REFERENCE	T(mm)	REMARKS	MAKE	F/R	WVA No
3664/9	30	4 PADS PLAIN	BERKHOF-BOVA-DAF-DENNIS-ERF-IVECO MAN-MERCEDES BENZ-NEOPLAN-OPTARE SCANIA - SETRA - SOLARIS	F/R	29087



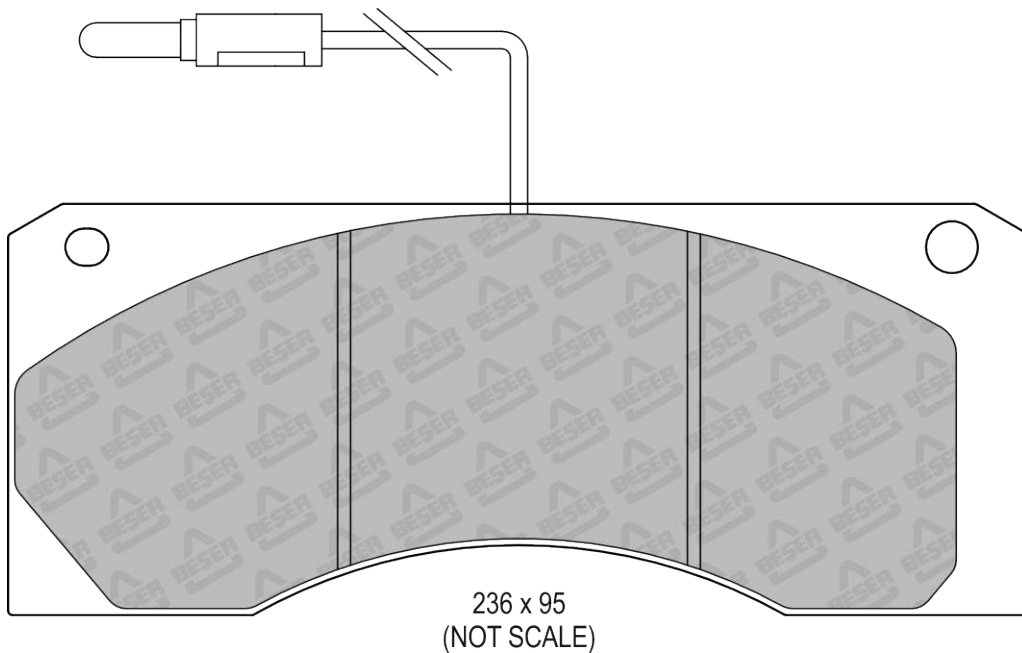
REFERENCE	T(mm)	REMARKS	MAKE	F/R	WVA No
3664/A	30	4 PADS PLAIN	BERKHOF-BOVA-DAF-DENNIS-ERF-IVECO MAN-MERCEDES BENZ-NEOPLAN-OPTARE SCANIA - SETRA - SOLARIS	F/R	29059 29109 29061 29163 29087 29179 29106 29201 29108 29202



REFERENCE	T(mm)	REMARKS	MAKE	F/R	WVA No
3669	30	4 PADS PLAIN	NEOPLAN	F/R	---

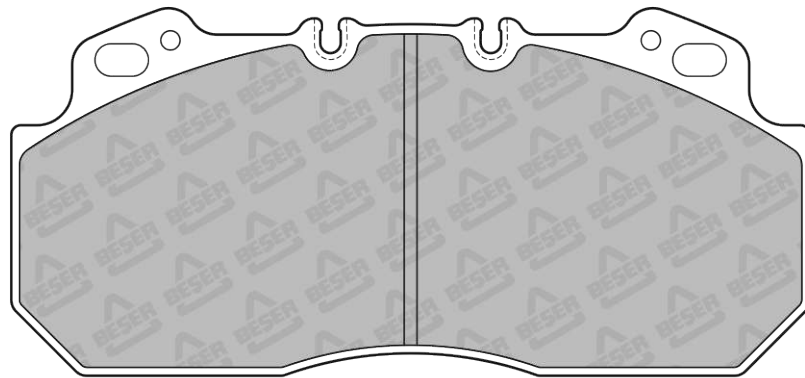
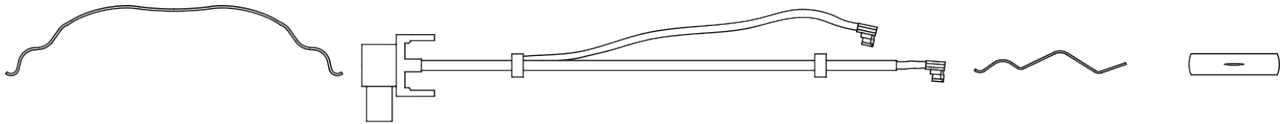


REFERENCE	T(mm)	REMARKS	MAKE	F/R	WVA No
3707	20,5	4 PADS WITH WEAR SENSOR	RENAULT TRUCKS	F	29044 29130



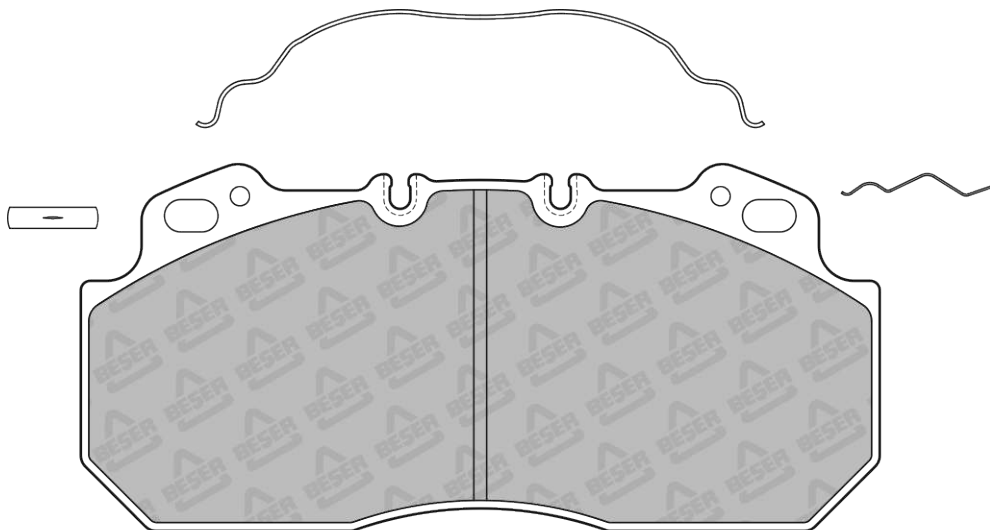


REFERENCE	T(mm)	REMARKS	MAKE	F/R	WVA No
3770	28	2 PADS WITH WEAR SENSOR	DENNIS - RENAULT TRUCKS - VOLVO	F	29090



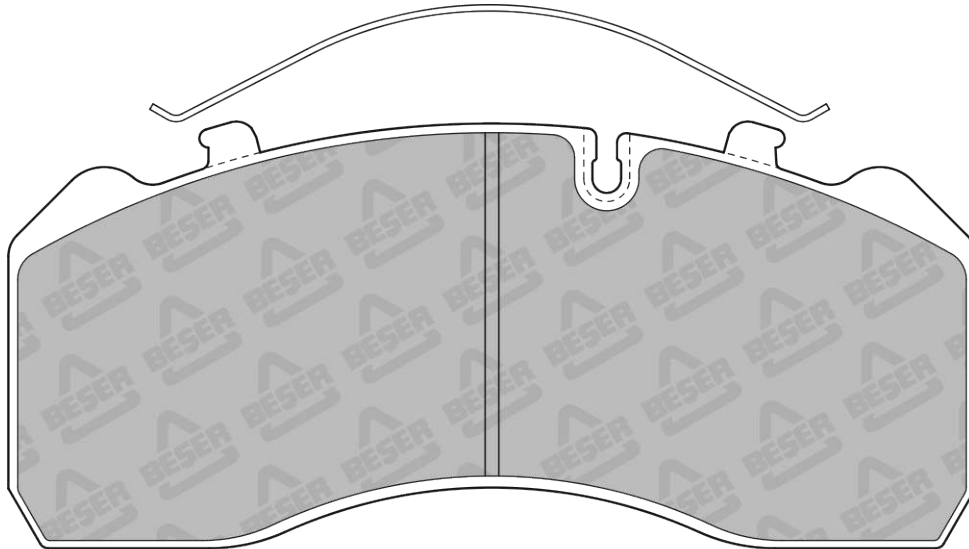
249 x 114,4  
(NOT SCALE)

REFERENCE	T(mm)	REMARKS	MAKE	F/R	WVA No
3770/1	28	4 PADS PLAIN	DENNIS - RENAULT TRUCKS - VOLVO	F	29090



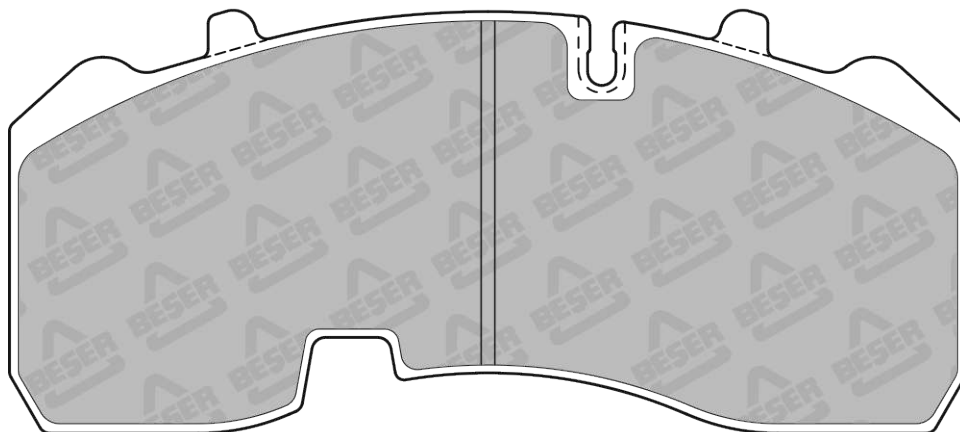
249 x 114,4  
(NOT SCALE)

REFERENCE	T(mm)	REMARKS	MAKE	F/R	WVA No
3789	30	4 PADS PLAIN	DAF - IVECO - MAN MERCEDES BENZ	F/R	29093 29145 29094 29184 29095 29197 29096



210,7 x 92,5  
(NOT SCALE)

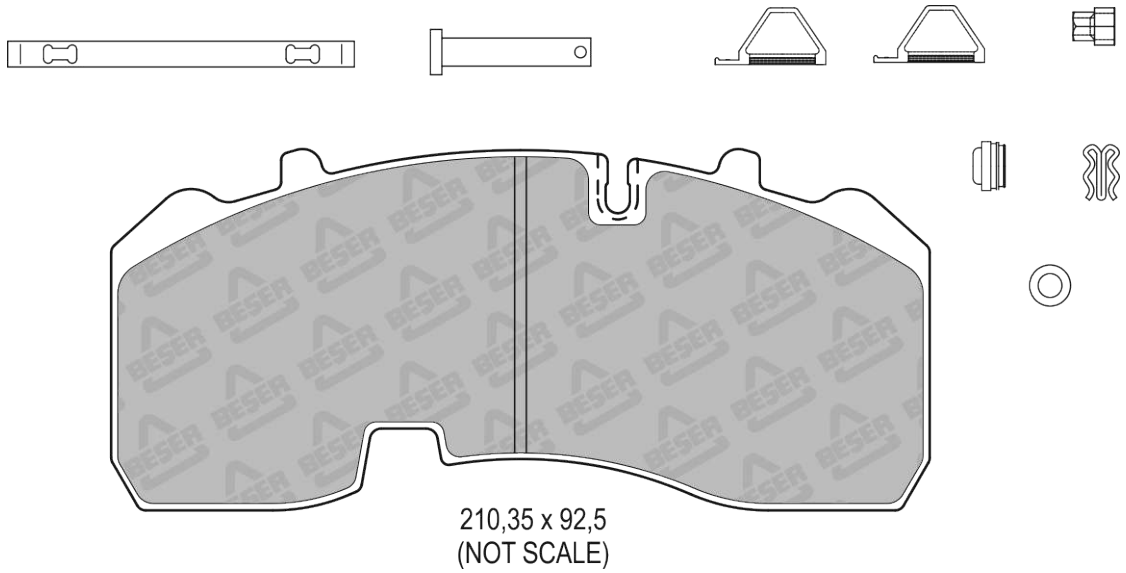
REFERENCE	T(mm)	REMARKS	MAKE	F/R	WVA No
3789/1	29,7	4 PADS PLAIN	DAF - IVECO - MAN - MERCEDES BENZ	R	29165 29215



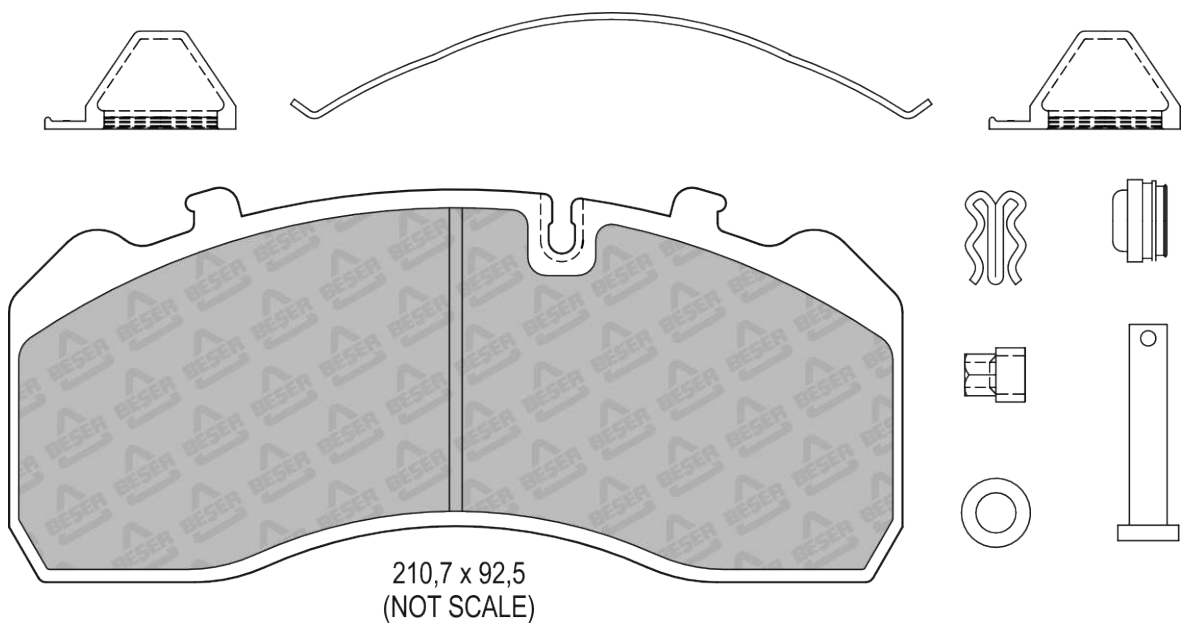
210,35 x 92,5  
(NOT SCALE)



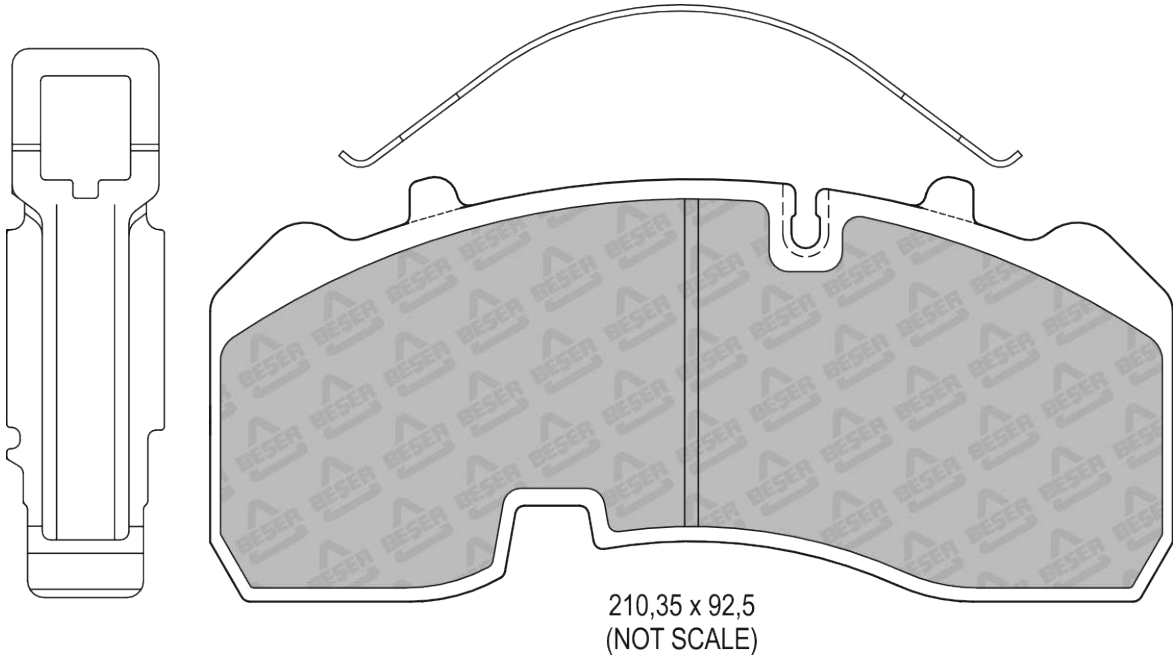
REFERENCE	T(mm)	REMARKS	MAKE	F/R	WVA No
3789/2	29.7	4 PADS PLAIN	DAF - IVECO	F/R	29165 29215



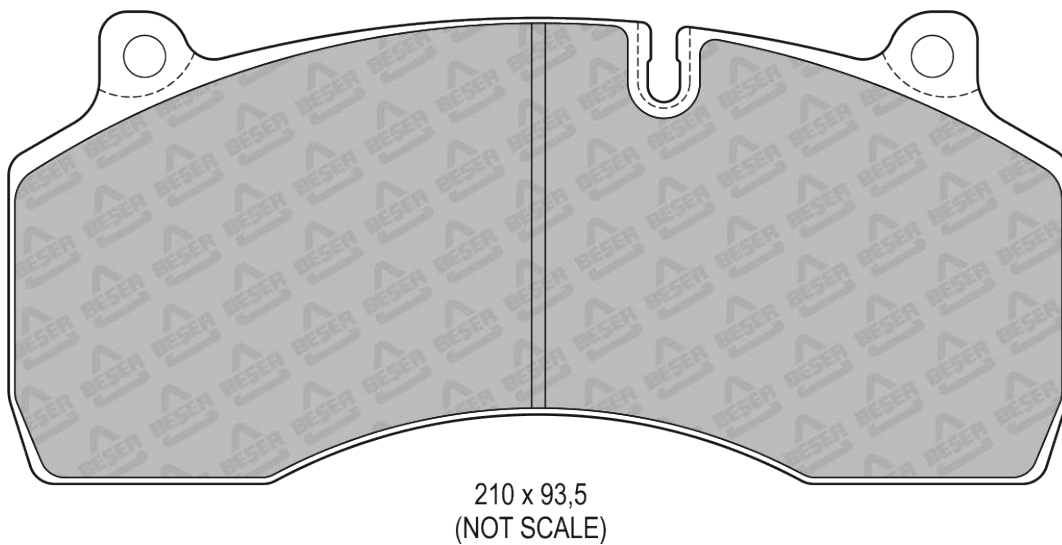
REFERENCE	T(mm)	REMARKS	MAKE	F/R	WVA No
3789/3	30	4 PADS PLAIN	DAF - IVECO - MAN - MERCEDES BENZ	F	29093 29145 29094 29184 29095 29197 29096



REFERENCE	T(mm)	REMARKS	MAKE	F/R	WVA No
3789/4	29,7	4 PADS PLAIN	DAF - IVECO - MAN MERCEDES BENZ	F/R	29165



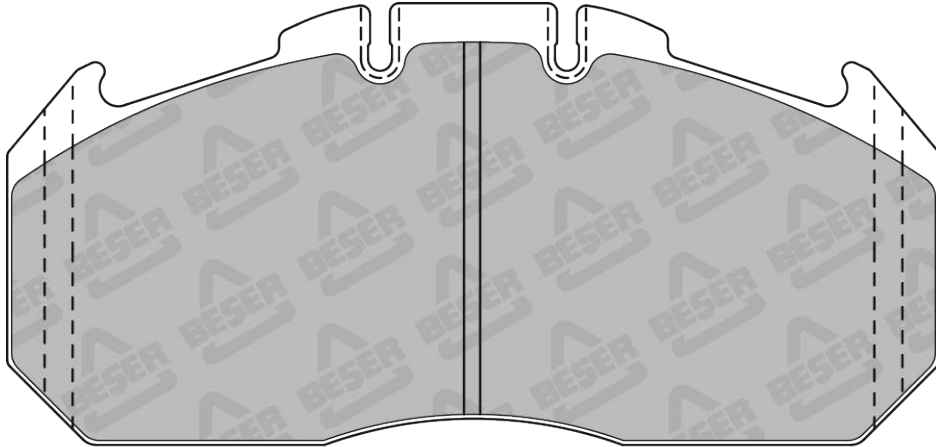
REFERENCE	T(mm)	REMARKS	MAKE	F/R	WVA No
3818	30	4 PADS PLAIN	KING LONG - RENAULT TRUCKS - VOLVO	R	29175 29181 29207





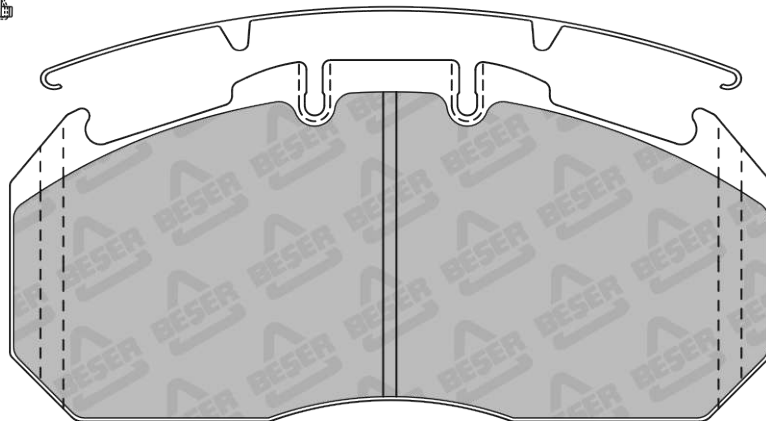
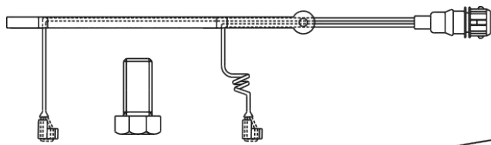


REFERENCE	T(mm)	REMARKS	MAKE	F/R	WVA No
3828	30	2 PADS WITH WEAR SENSOR	DAF - ERF - IRISBUS - IVECO MAN - RENAULT TRUCKS	F/R	29131 29156



249,45 x 118,2  
(NOT SCALE)

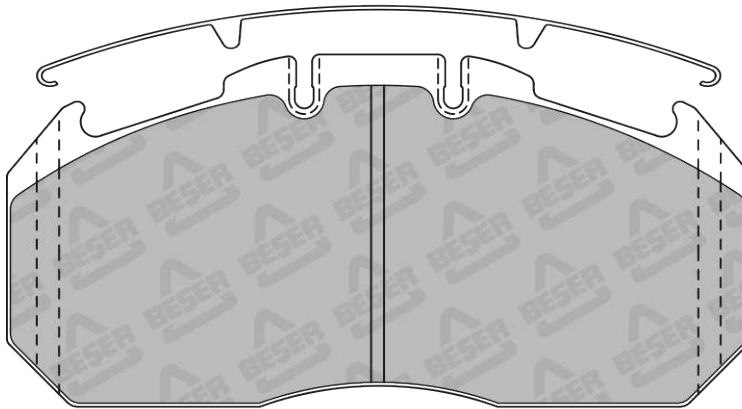
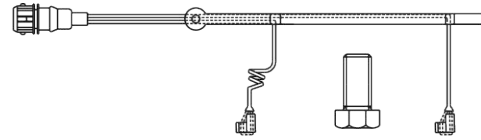
REFERENCE	T(mm)	REMARKS	MAKE	F/R	WVA No
3828/1	30	2 PADS WITH WEAR SENSOR	DAF - ERF - IRISBUS - IVECO MAN - RENAULT TRUCKS	F/R	29131 29156



249,45 x 118,2  
(NOT SCALE)

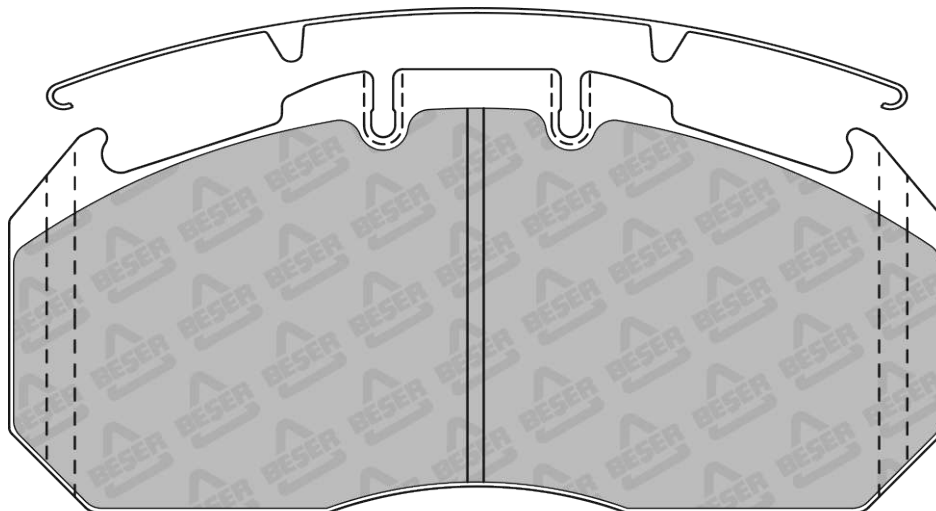


REFERENCE	T(mm)	REMARKS	MAKE	F/R	WVA No
3828/2	30	2 PADS WITH WEAR SENSOR	DAF - ERF - IRISBUS - IVECO MAN - RENAULT TRUCKS	F/R	29131



249,45 x 118,2  
(NOT SCALE)

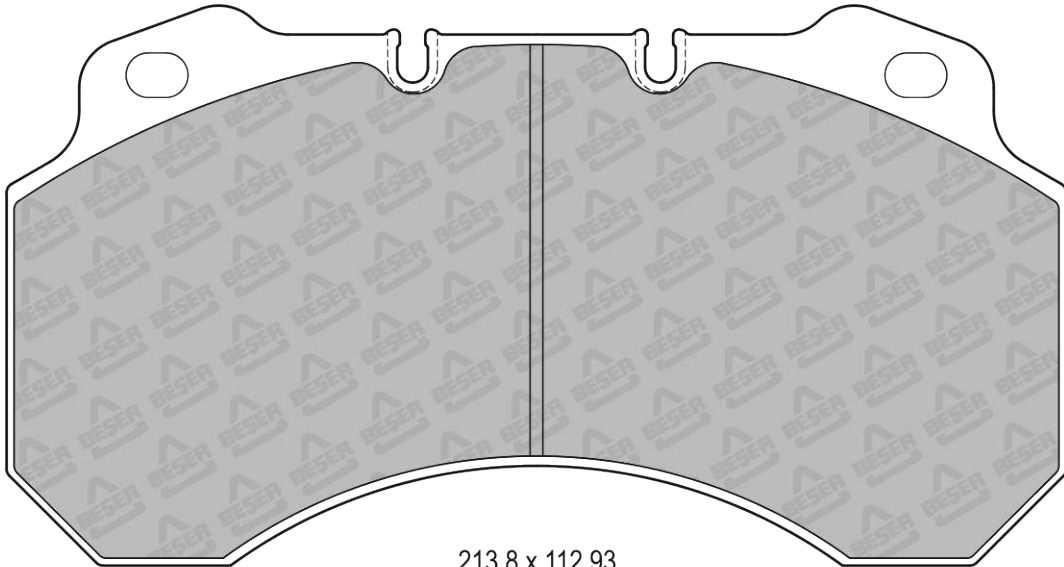
REFERENCE	T(mm)	REMARKS	MAKE	F/R	WVA No
3828/3	30	4 PADS PLAIN	DAF - ERF - IRISBUS - IVECO MAN - RENAULT TRUCKS	F/R	29131



249,45 x 118,2  
(NOT SCALE)

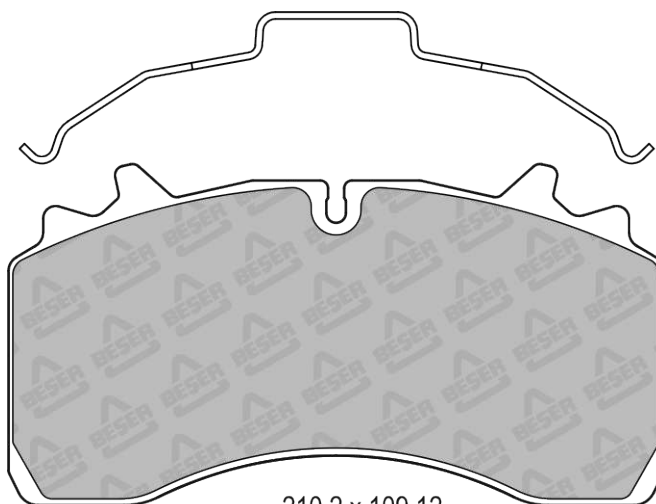


REFERENCE	T(mm)	REMARKS	MAKE	F/R	WVA No
3837	25	4 PADS PLAIN	NISSAN - RENAULT TRUCKS	F/R	29100

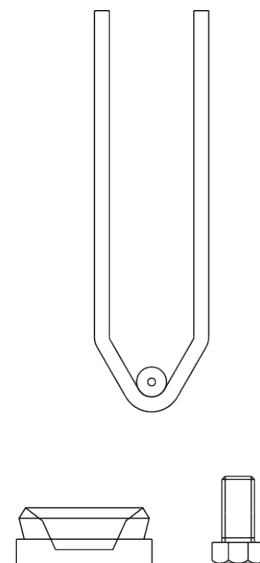


213,8 x 112,93  
(NOT SCALE)

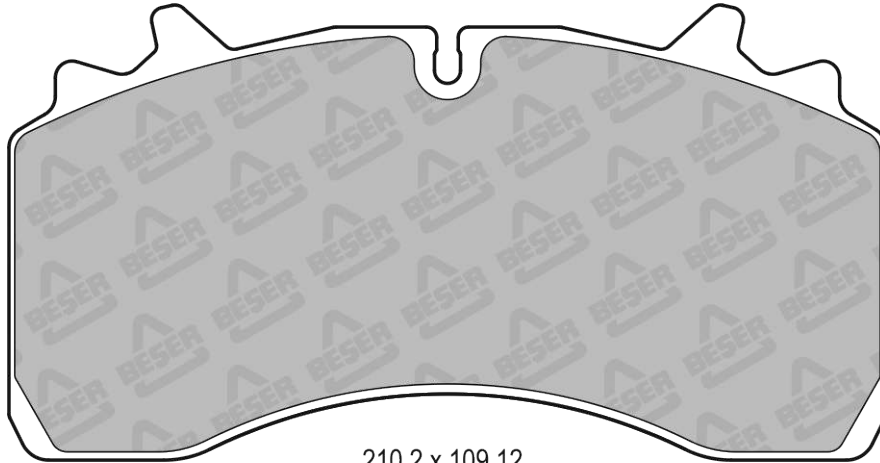
REFERENCE	T(mm)	REMARKS	MAKE	F/R	WVA No
3839	30,55	4 PADS PLAIN	SAF	R	29162



210,2 x 109,12  
(NOT SCALE)

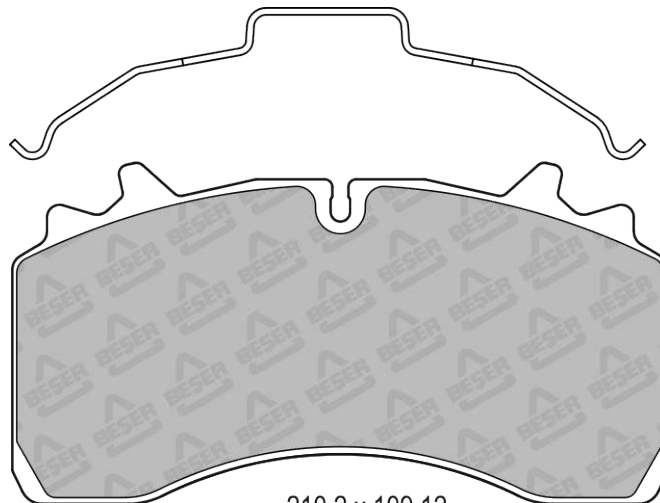


REFERENCE	T(mm)	REMARKS	MAKE	F/R	WVA No
3839/1	30,55	4 PADS PLAIN	SAF	R	29162



210,2 x 109,12  
(NOT SCALE)

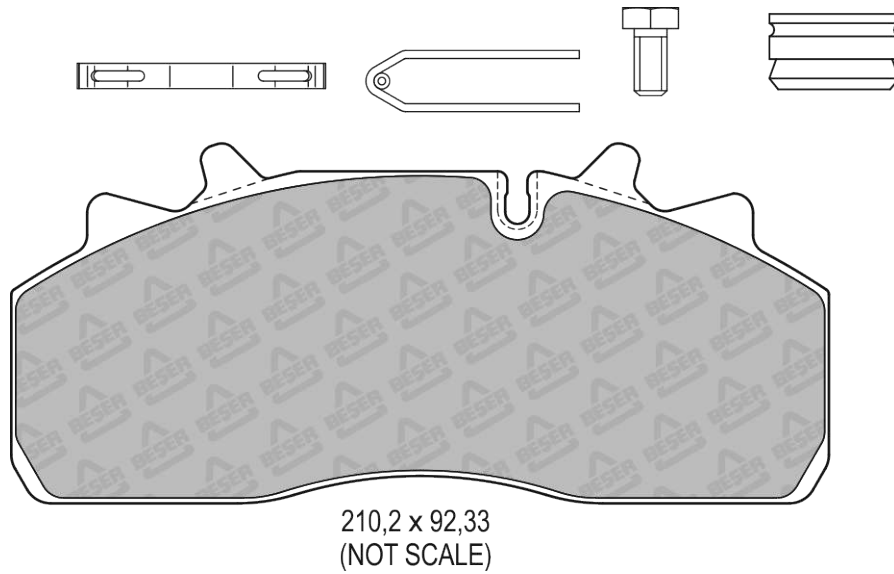
REFERENCE	T(mm)	REMARKS	MAKE	F/R	WVA No
3839/2	30,55	4 PADS PLAIN	SAF	R	29162



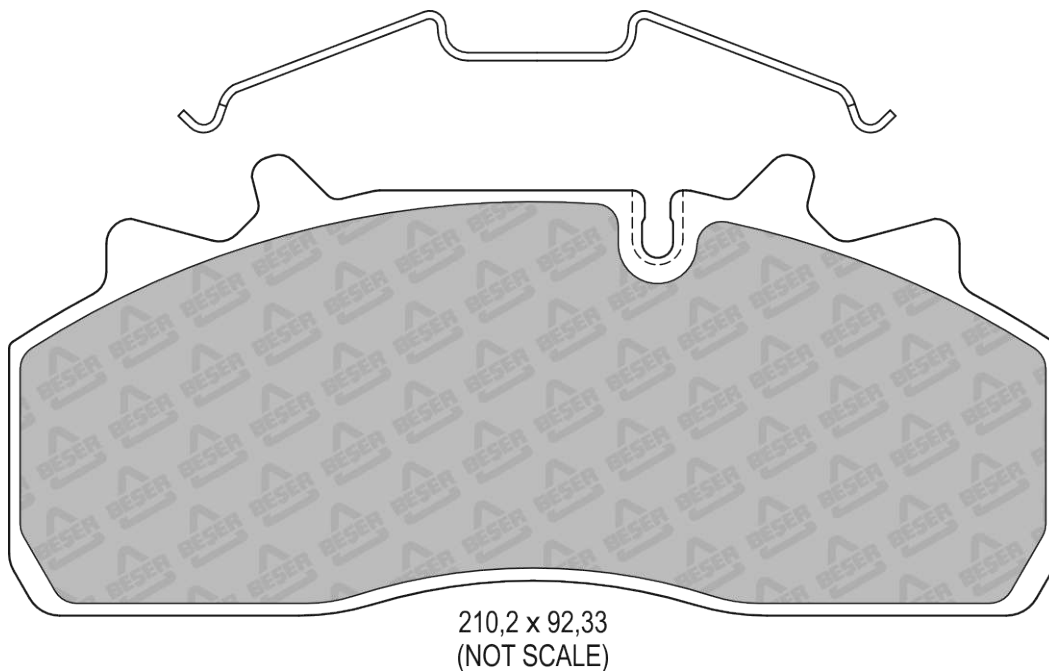
210,2 x 109,12  
(NOT SCALE)



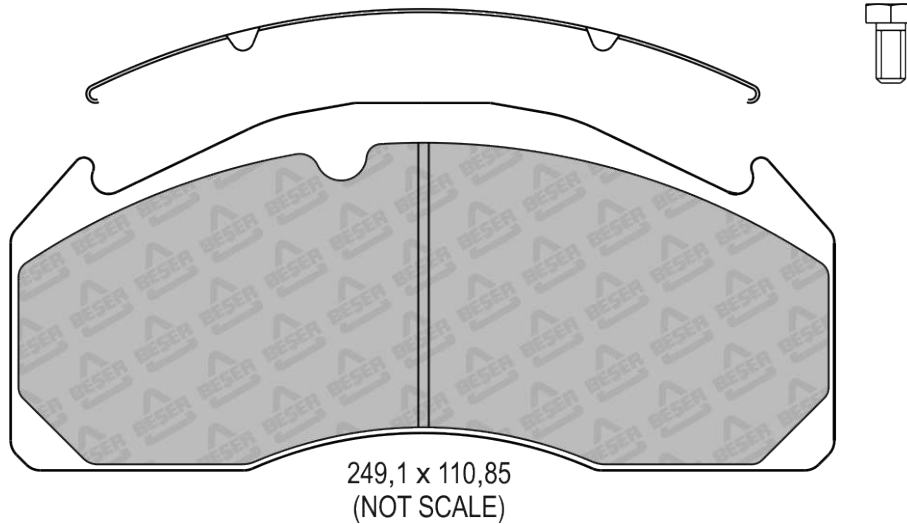
REFERENCE	T(mm)	REMARKS	MAKE	F/R	WVA No
3844	29,5	4 PADS PLAIN	DAF	F/R	29126 29159



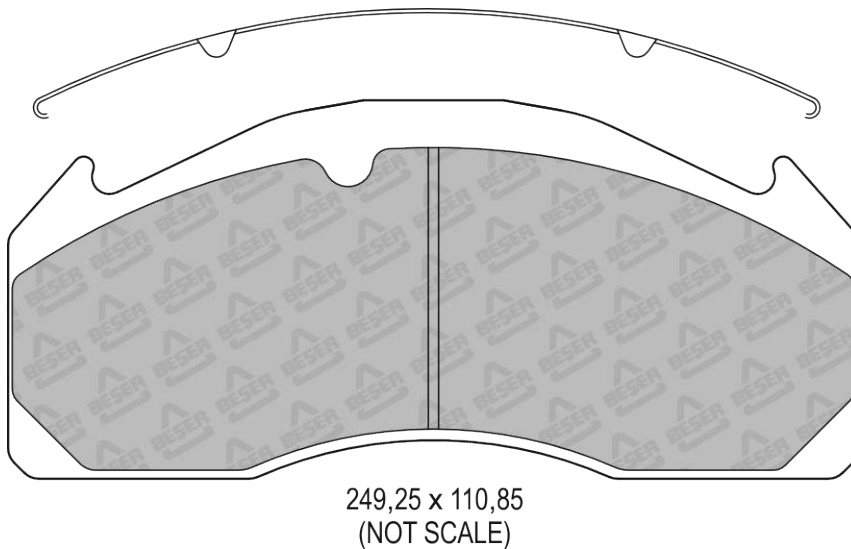
REFERENCE	T(mm)	REMARKS	MAKE	F/R	WVA No
3844/1	29,5	4 PADS PLAIN	DAF	F/R	29126 29159



REFERENCE	T(mm)	REMARKS	MAKE	F/R	WVA No
3845	29	4 PADS PLAIN	PLAXTON - VOLVO	F/R	29022 29125 29224 29277



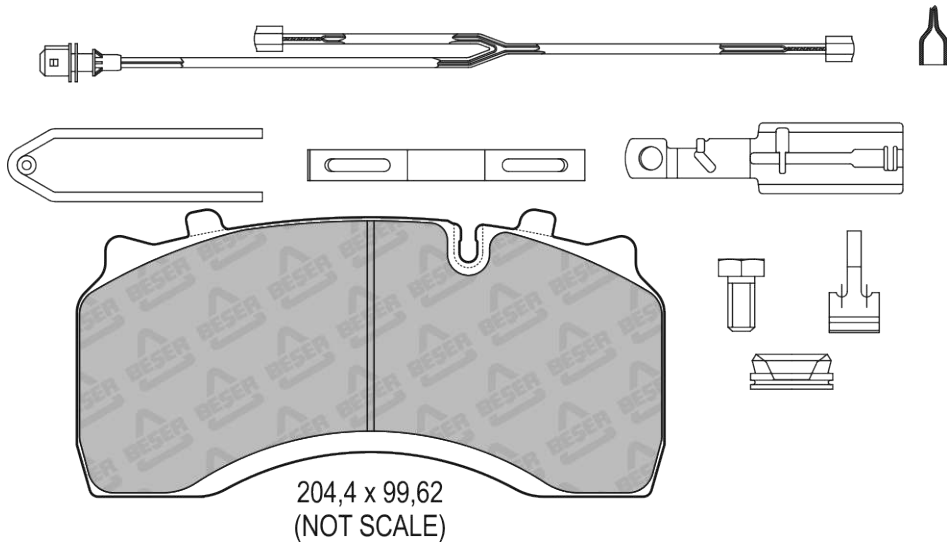
REFERENCE	T(mm)	REMARKS	MAKE	F/R	WVA No
3845/1	29	4 PADS PLAIN	PLAXTON - VOLVO	F/R	29022 29125 29224 29277



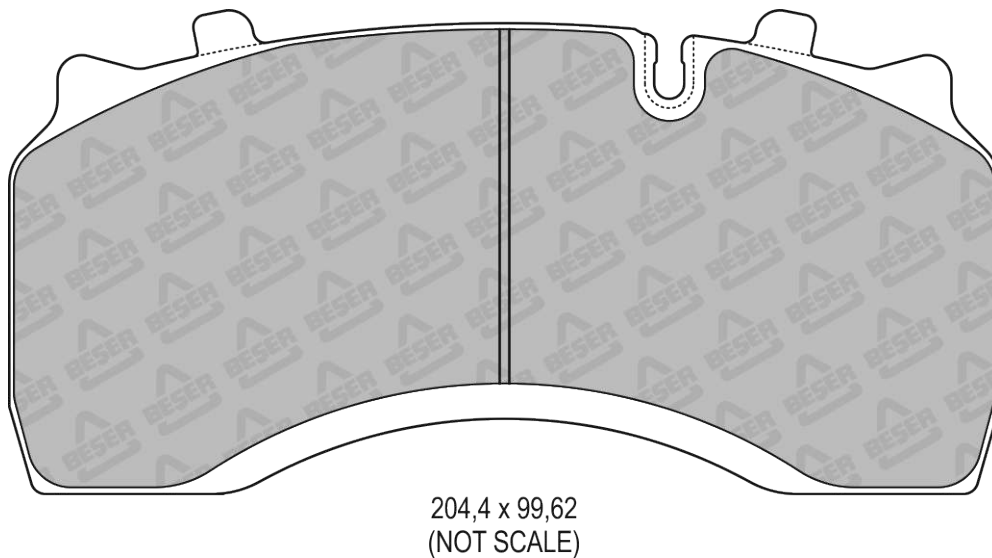




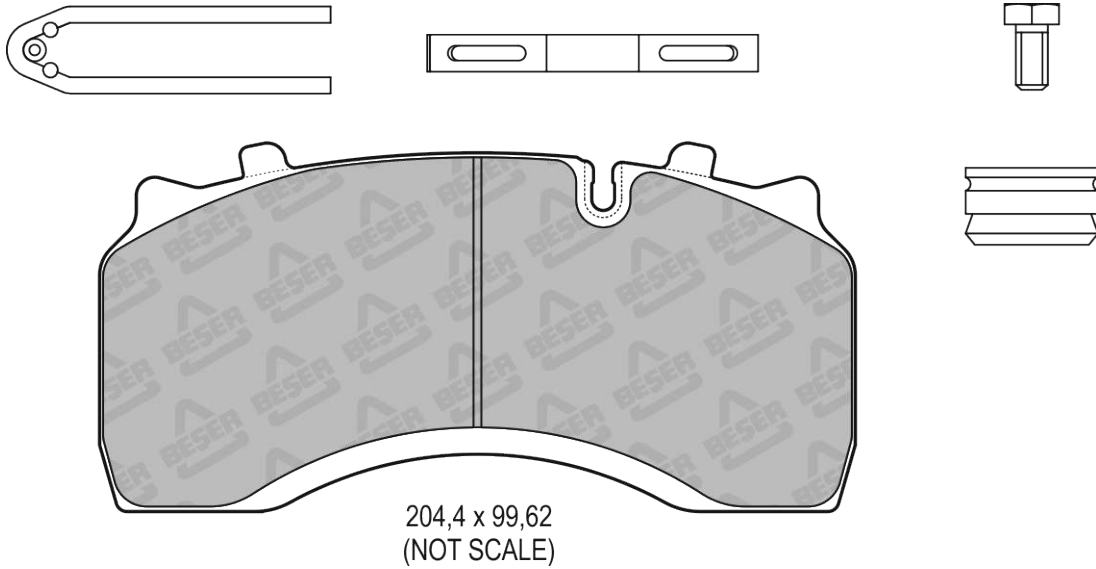
REFERENCE	T(mm)	REMARKS	MAKE	F/R	WVA No
3870	29,7	2 PADS WITH WEAR SENSOR	DAF - RENAULT TRUCKS	F/R	29119 29141 29142



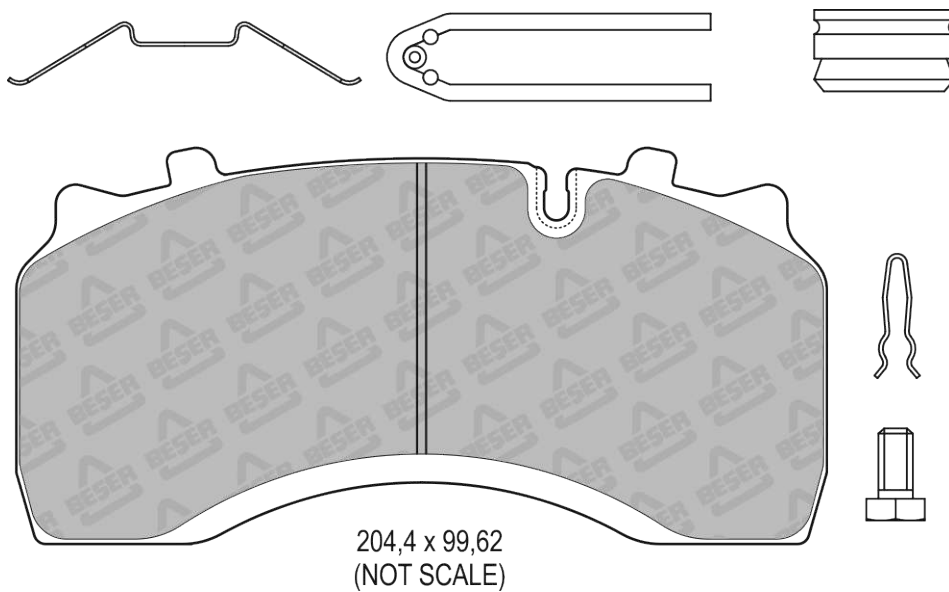
REFERENCE	T(mm)	REMARKS	MAKE	F/R	WVA No
3870/1	27,9	4 PADS PLAIN	DAF - RENAULT TRUCKS	F/R	29119 29141 29142



REFERENCE	T(mm)	REMARKS	MAKE	F/R	WVA No
3870/2	29,7	4 PADS PLAIN	DAF - RENAULT TRUCKS	F/R	29119 29141 29142

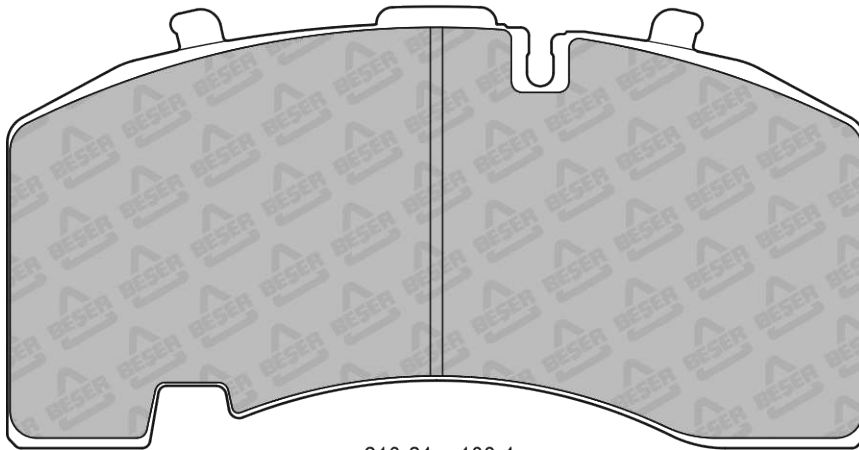


REFERENCE	T(mm)	REMARKS	MAKE	F/R	WVA No
3870/3	29,7	4 PADS PLAIN	DAF - RENAULT TRUCKS	F/R	29119 29141 29142



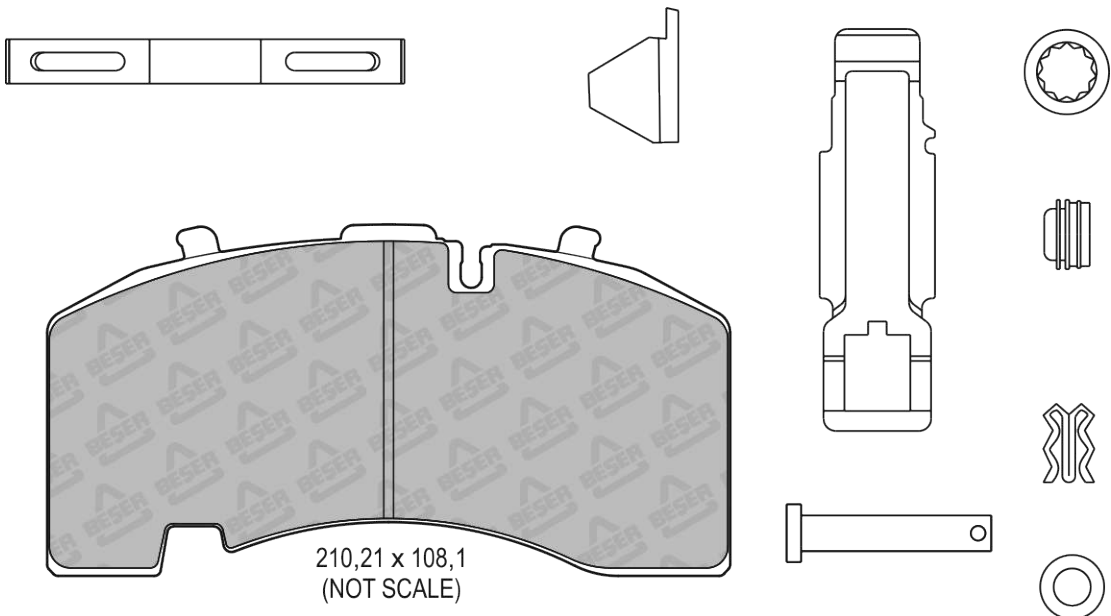


REFERENCE	T(mm)	REMARKS	MAKE	F/R	WVA No
3902	30	4 PADS PLAIN	BPW	F/R	29171 29271



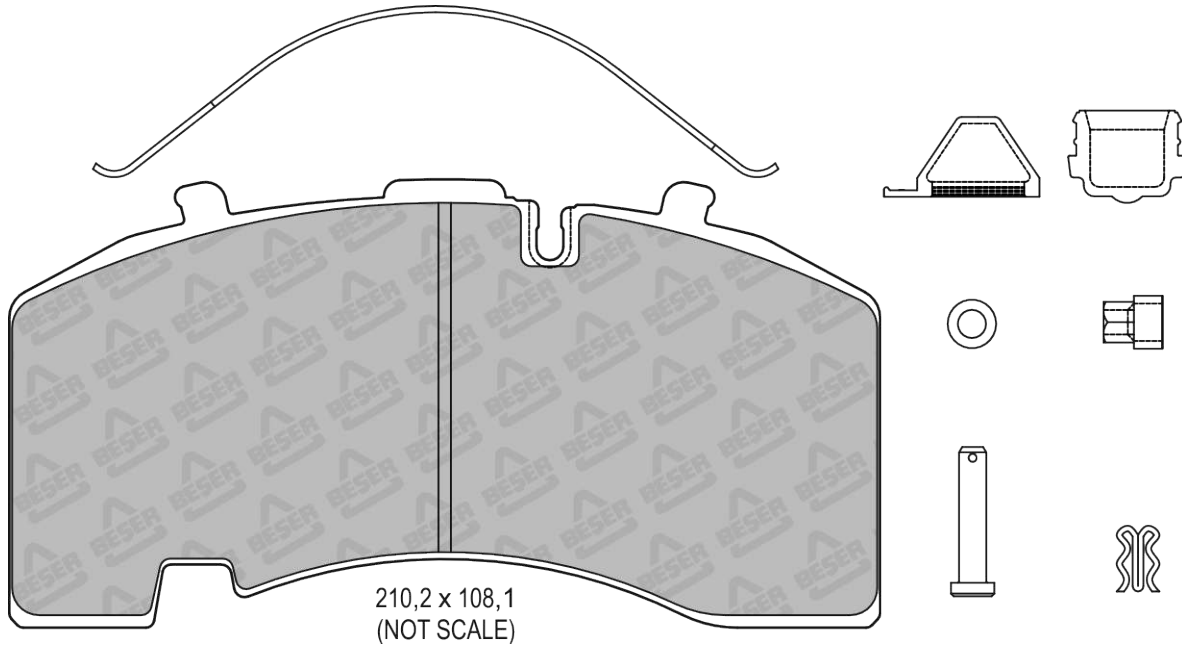
210,21 x 108,1  
(NOT SCALE)

REFERENCE	T(mm)	REMARKS	MAKE	F/R	WVA No
3902/1	30	4 PADS PLAIN	BPW	F/R	29171 29271

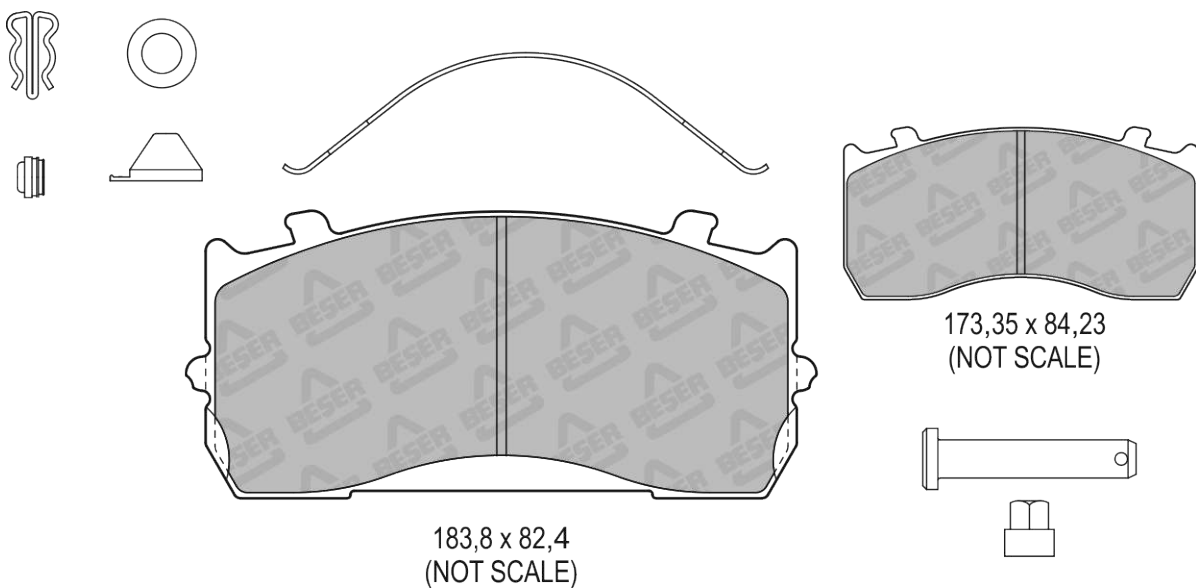


210,21 x 108,1  
(NOT SCALE)

REFERENCE	T(mm)	REMARKS	MAKE	F/R	WVA No
3902/2	30	4 PADS PLAIN	BPW	F/R	29171 29271

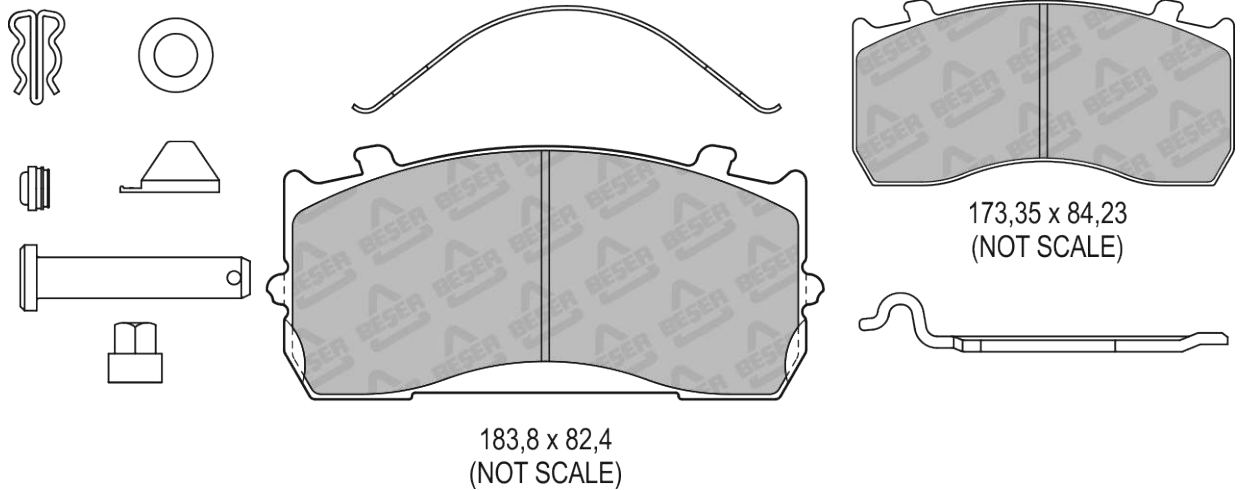


REFERENCE	T(mm)	REMARKS	MAKE	F/R	WVA No
3908	26,7	4 PADS PLAIN	DENNIS - MAN - MERCEDES BENZ NISSAN	F/R	29115 29148 29183

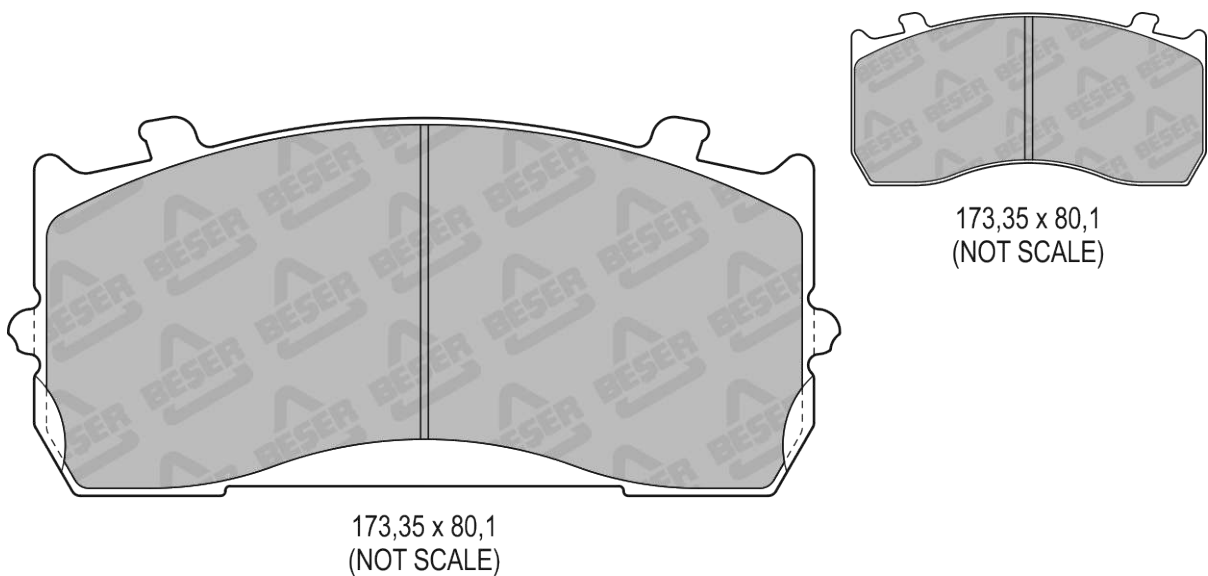




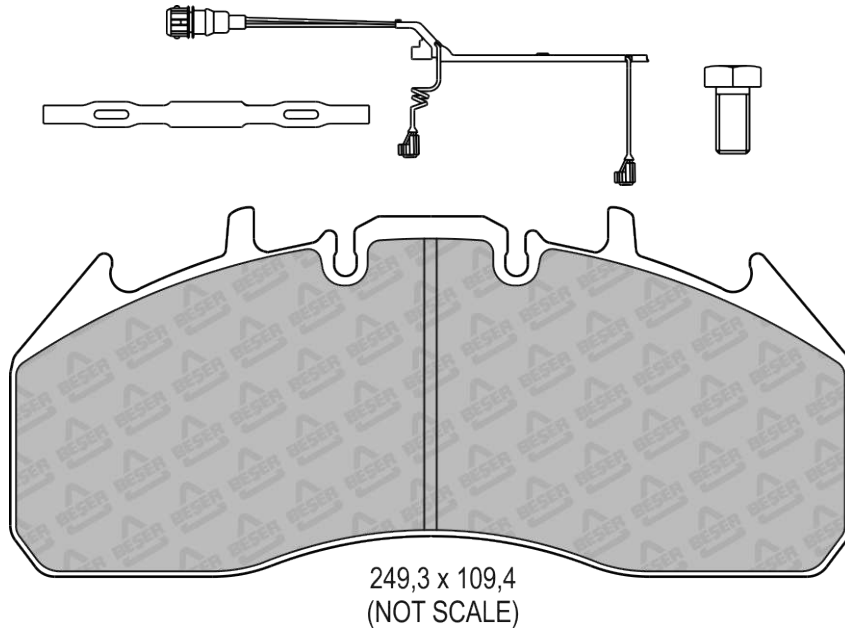
REFERENCE	T(mm)	REMARKS	MAKE	F/R	WVA No
3908/1	26,7	4 PADS PLAIN	DENNIS - MAN - MERCEDES BENZ NISSAN	F/R	29115 29148 29183



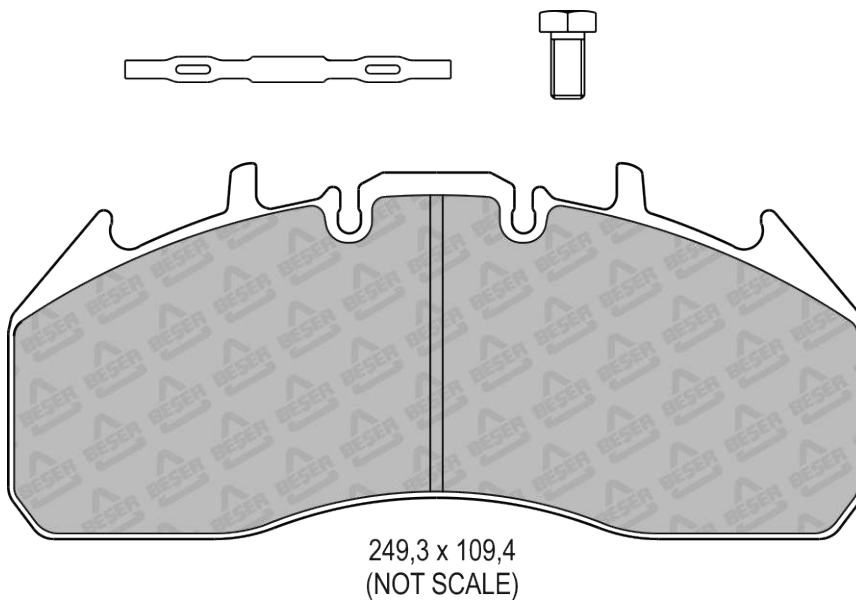
REFERENCE	T(mm)	REMARKS	MAKE	F/R	WVA No
3908/A	26,7	4 PADS PLAIN	DENNIS - MAN - MERCEDES BENZ NISSAN	F/R	29115 29148 29183



REFERENCE	T(mm)	REMARKS	MAKE	F/R	WVA No
3917	28	2 PADS WITH WEAR SENSOR	RENAULT TRUCKS - SOLARIS VOLVO	F/R	29174 29204 29218 29219 29226



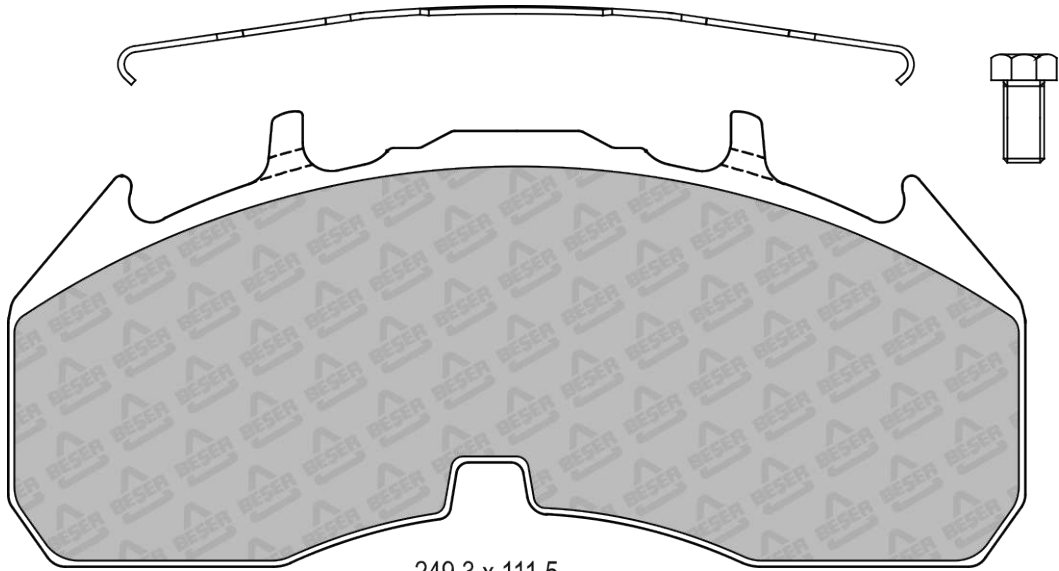
REFERENCE	T(mm)	REMARKS	MAKE	F/R	WVA No
3917/1	28	4 PADS PLAIN	RENAULT TRUCKS - SOLARIS VOLVO	F/R	29174 29218 29187 29219 29204 29226





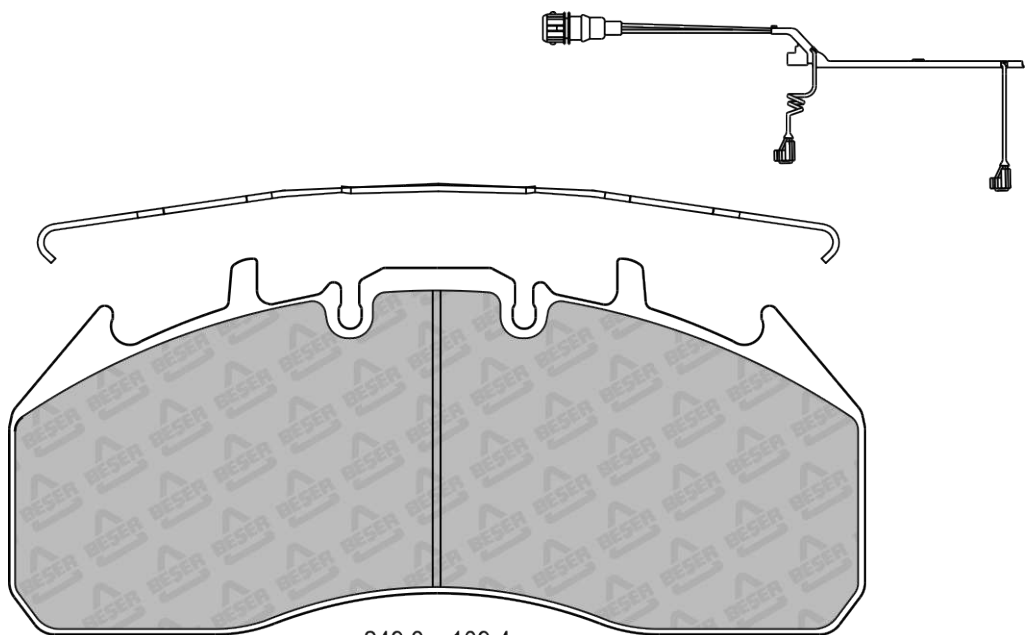


REFERENCE	T(mm)	REMARKS	MAKE	F/R	WVA No
3917/2	29,2	4 PADS PLAIN	RENAULT TRUCKS - SOLARIS VOLVO	F/R	29332



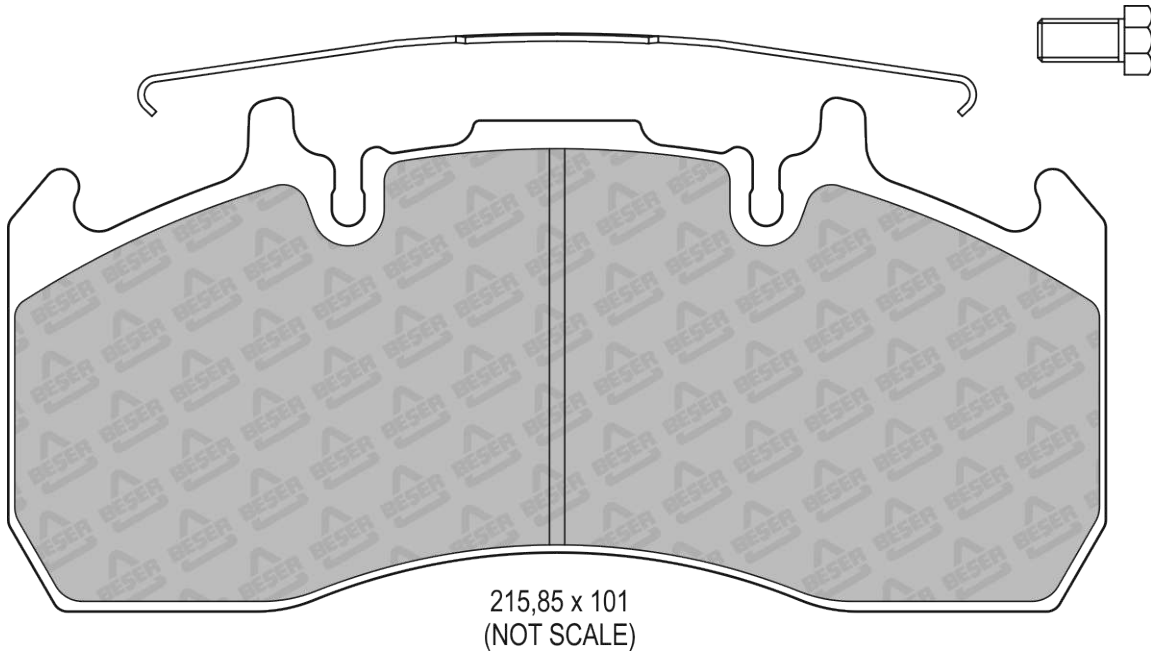
249,3 x 111,5  
(NOT SCALE)

REFERENCE	T(mm)	REMARKS	MAKE	F/R	WVA No
3917/3	28	2 PADS WITH WEAR SENSOR	RENAULT TRUCKS - SOLARIS VOLVO	F/R	29174 29204 29218 29219 29226

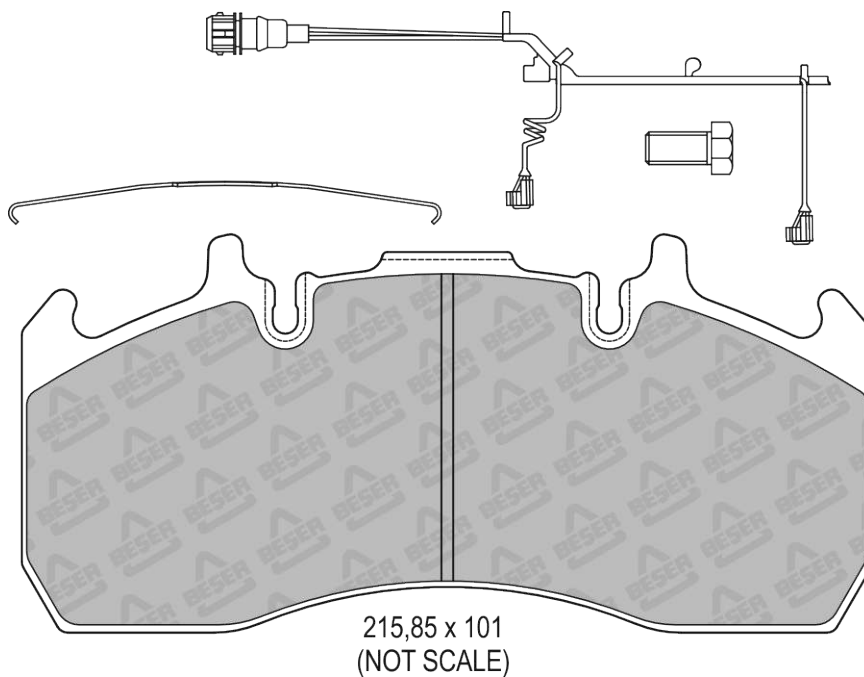


249,3 x 109,4  
(NOT SCALE)

REFERENCE	T(mm)	REMARKS	MAKE	F/R	WVA No
4047	29	4 PADS PLAIN	RENAULT TRUCKS - VOLVO	F/R	29173

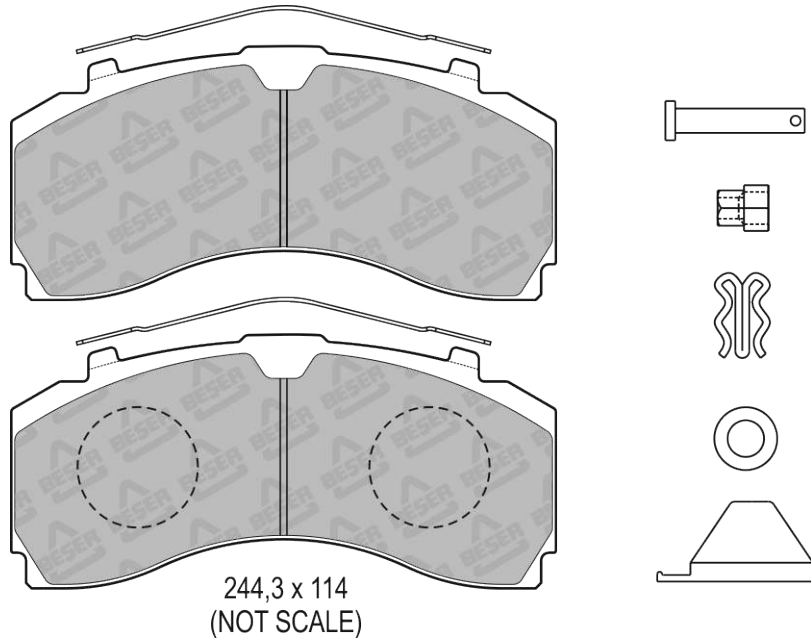


REFERENCE	T(mm)	REMARKS	MAKE	F/R	WVA No
4047/1	29	2 PADS WITH WEAR SENSOR	RENAULT TRUCKS - VOLVO	F/R	29173 29203 29272

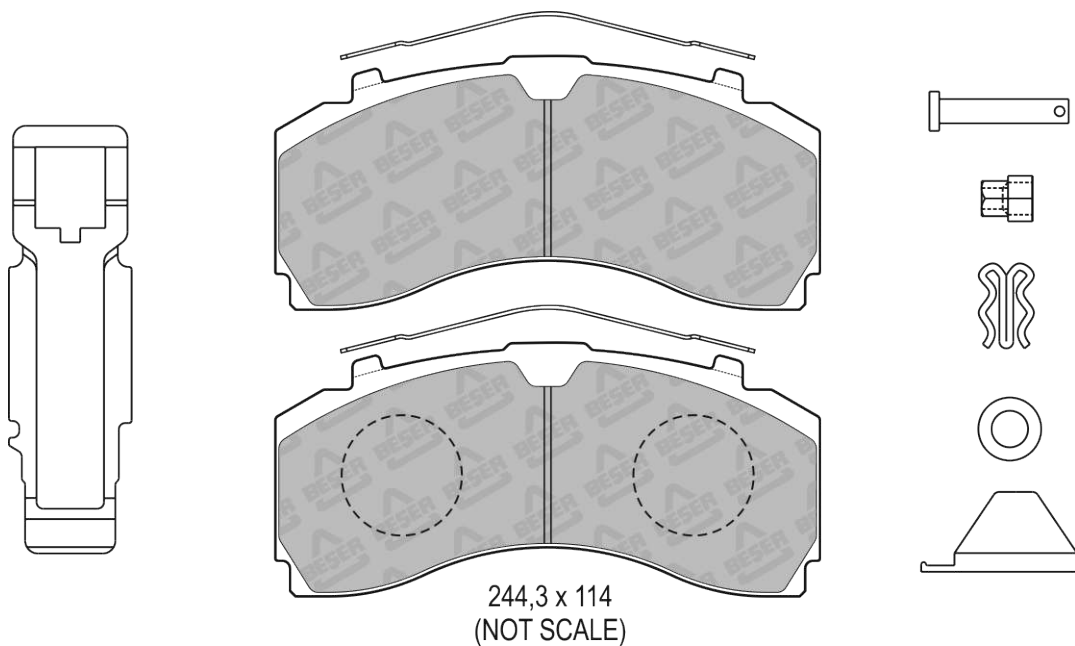




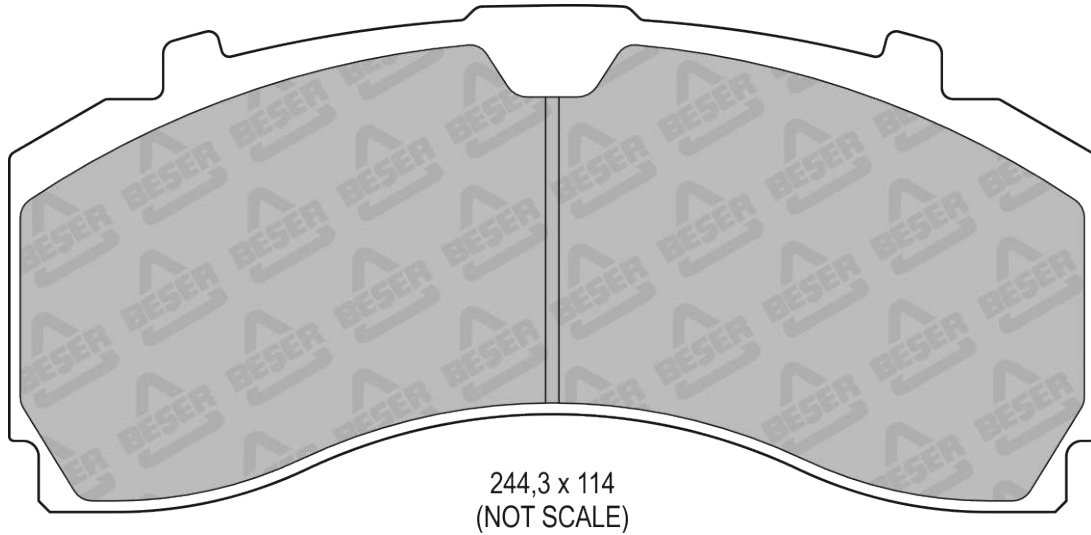
REFERENCE	T(mm)	REMARKS	MAKE	F/R	WVA No
4050	30	4 PADS PLAIN	MERCEDES BENZ	F	29246 29247



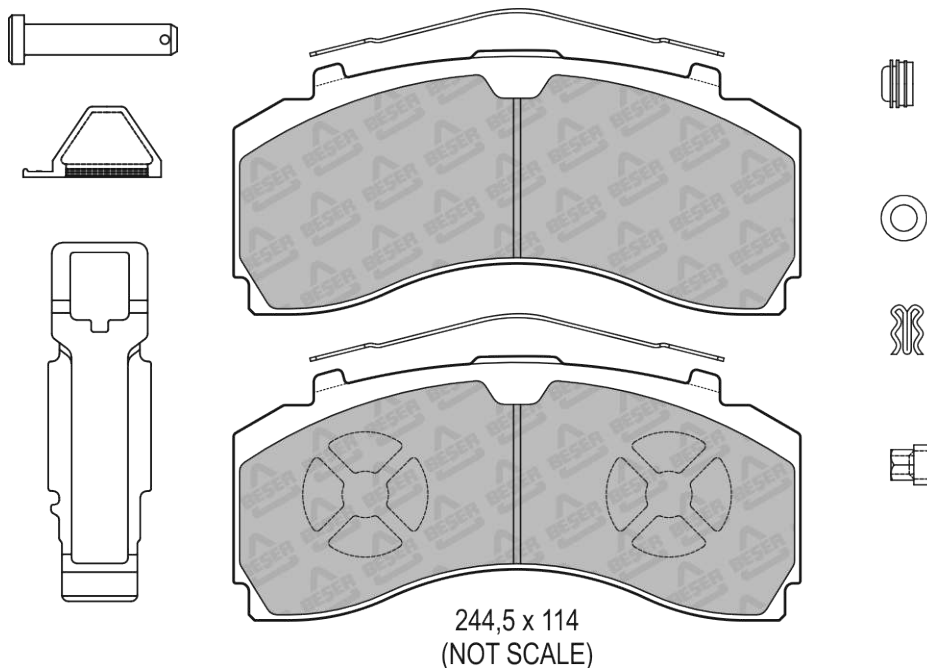
REFERENCE	T(mm)	REMARKS	MAKE	F/R	WVA No
4050/1	30	4 PADS PLAIN	MERCEDES BENZ	F	29246 29247



REFERENCE	T(mm)	REMARKS	MAKE	F/R	WVA No
4050/2	30	4 PADS PLAIN	MERCEDES BENZ	F	29246 29247

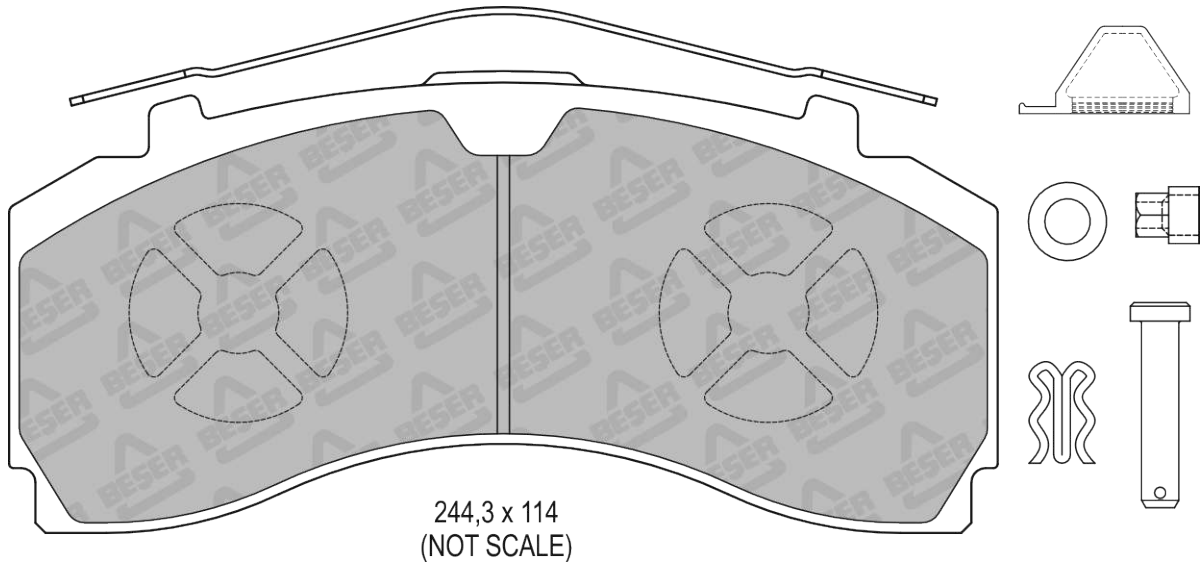


REFERENCE	T(mm)	REMARKS	MAKE	F/R	WVA No
4050/3	30	4 PADS PLAIN	MERCEDES BENZ	F	29246

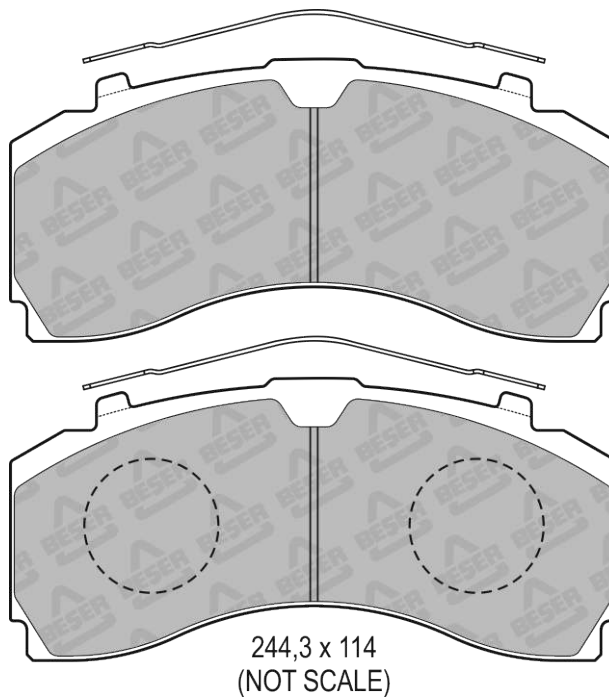




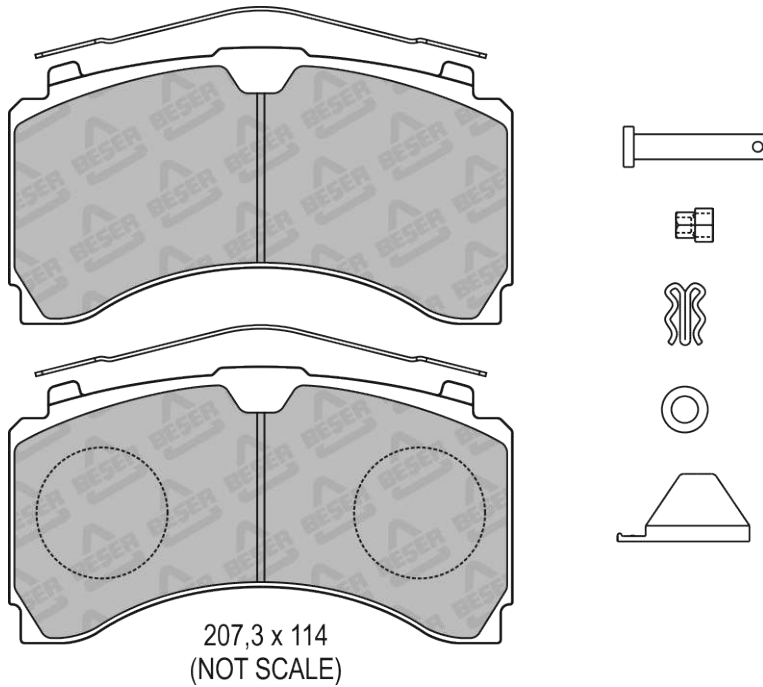
REFERENCE	T(mm)	REMARKS	MAKE	F/R	WVA No
4050/10	30	4 PADS PLAIN	MERCEDES BENZ	F	29246



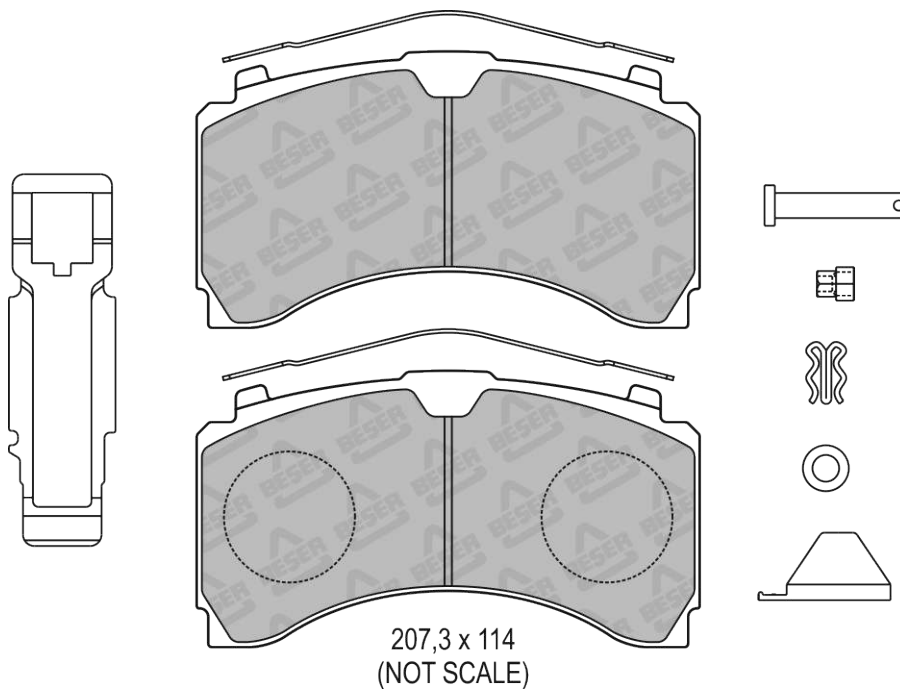
REFERENCE	T(mm)	REMARKS	MAKE	F/R	WVA No
4050/A	30	4 PADS PLAIN	MERCEDES BENZ	F	29246 29247



REFERENCE	T(mm)	REMARKS	MAKE	F/R	WVA No
4051	30	4 PADS PLAIN	MERCEDES BENZ	R	29244 29245 29298 29299 29351



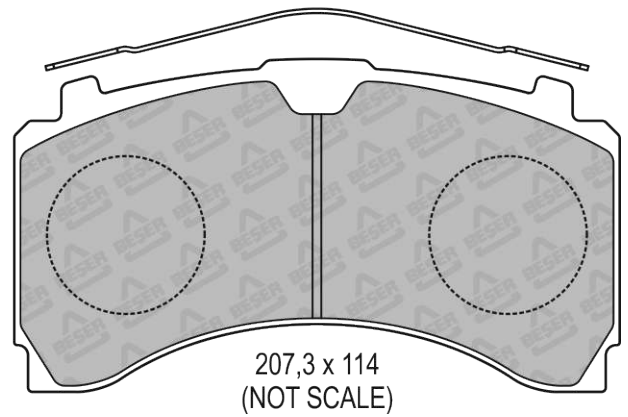
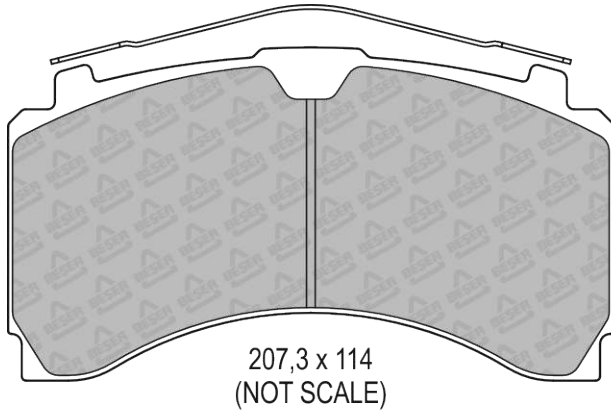
REFERENCE	T(mm)	REMARKS	MAKE	F/R	WVA No
4051/1	30	4 PADS PLAIN	MERCEDES BENZ	R	29244 29245 29298 29299 29351



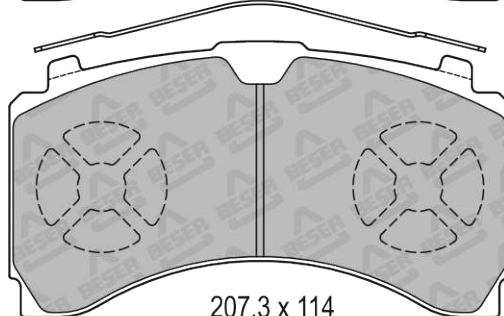
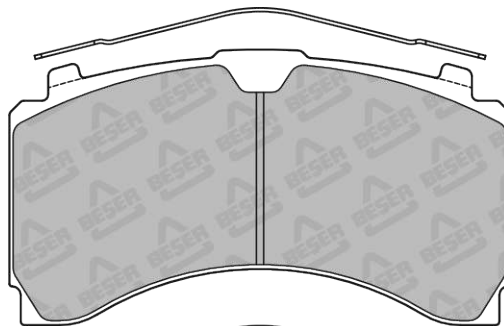
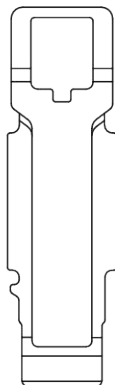
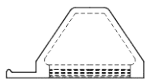
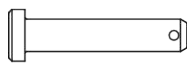




REFERENCE	T(mm)	REMARKS	MAKE	F/R	WVA No
4051/2	30	4 PADS PLAIN	MERCEDES BENZ	R	29244 29351 29245 29298 29299



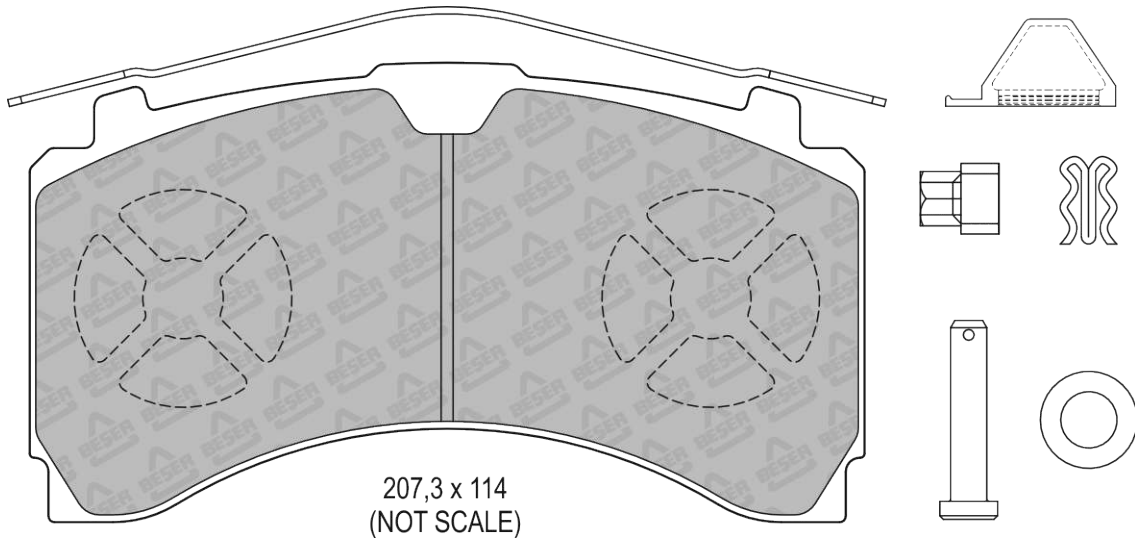
REFERENCE	T(mm)	REMARKS	MAKE	F/R	WVA No
4051/3	30	4 PADS PLAIN	MERCEDES BENZ	R	29244



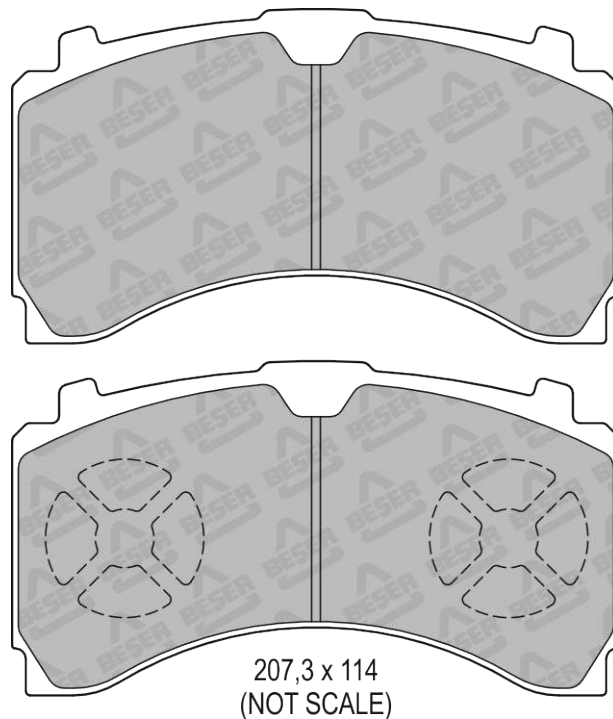
207,3 x 114  
(NOT SCALE)



REFERENCE	T(mm)	REMARKS	MAKE	F/R	WVA No
4051/10	30	4 PADS PLAIN	MERCEDES BENZ	R	29244

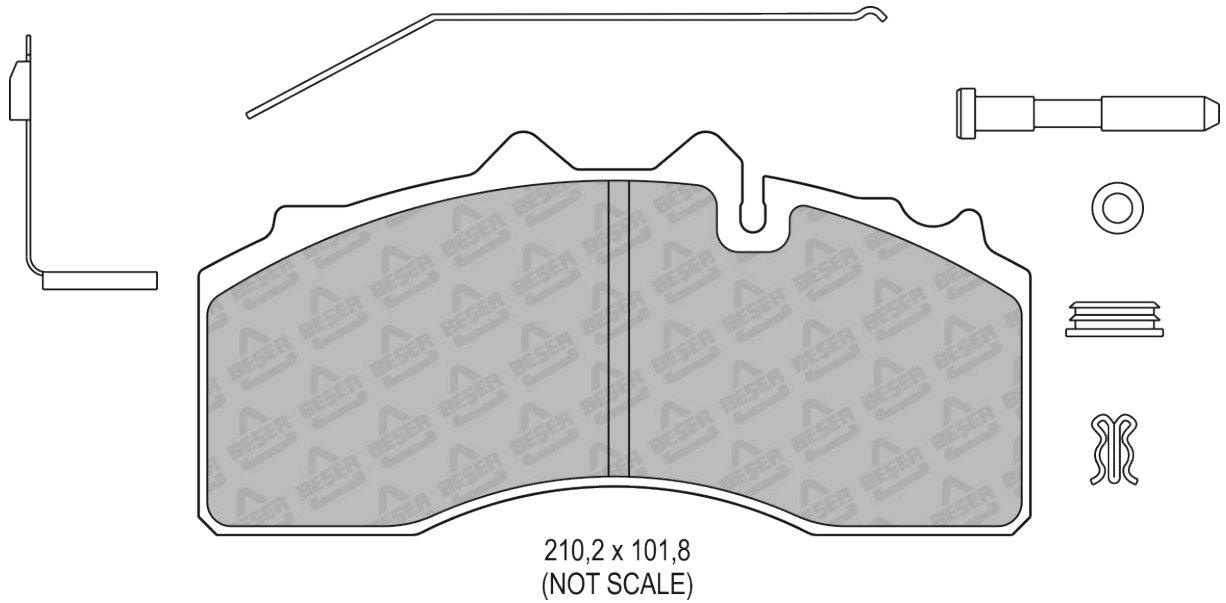


REFERENCE	T(mm)	REMARKS	MAKE	F/R	WVA No
4051/A	30	4 PADS PLAIN	MERCEDES BENZ	R	29244 29351 29245 29298 29299

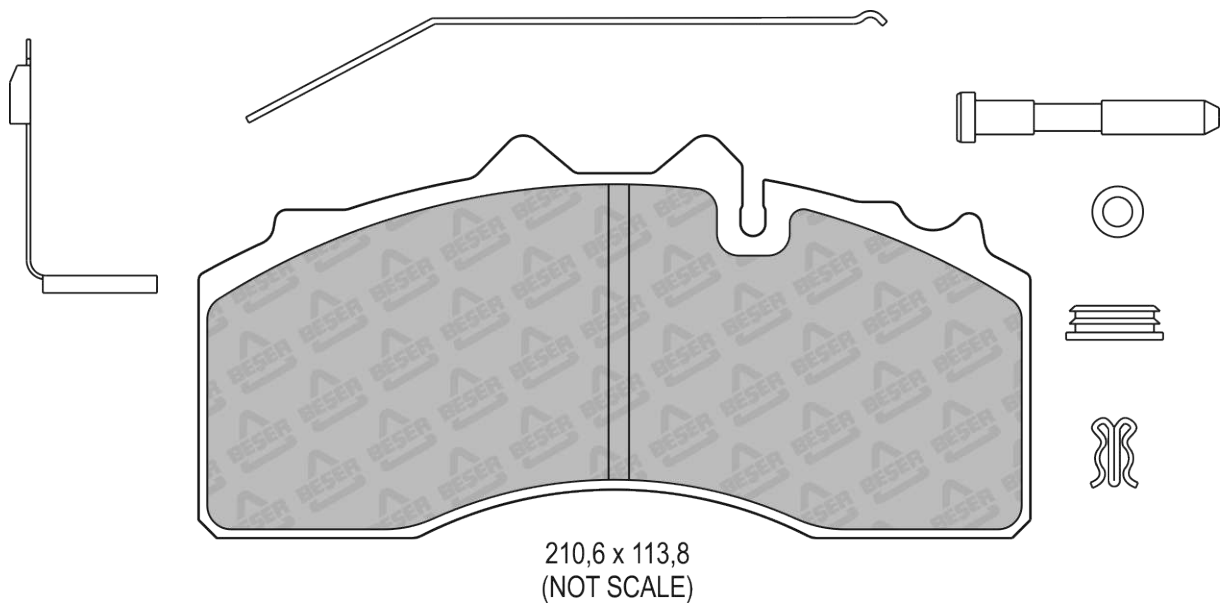




REFERENCE	T(mm)	REMARKS	MAKE	F/R	WVA No
4052	30	4 PADS PLAIN	BPW	R	29227

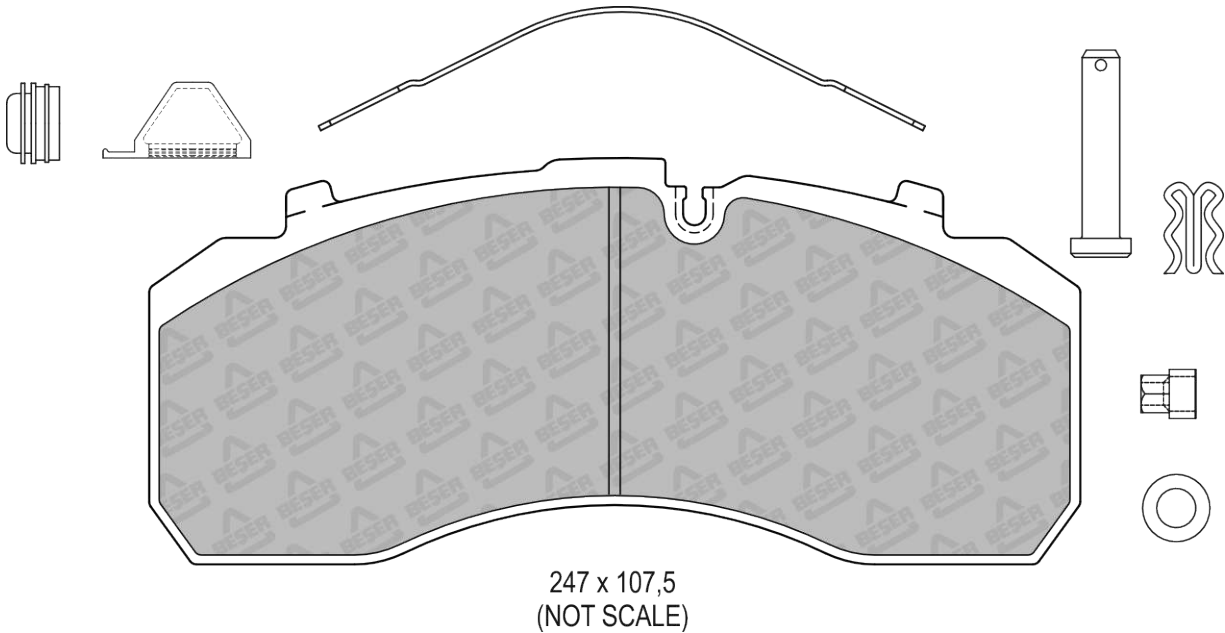


REFERENCE	T(mm)	REMARKS	MAKE	F/R	WVA No
4053	30	4 PADS PLAIN	BPW	R	29228

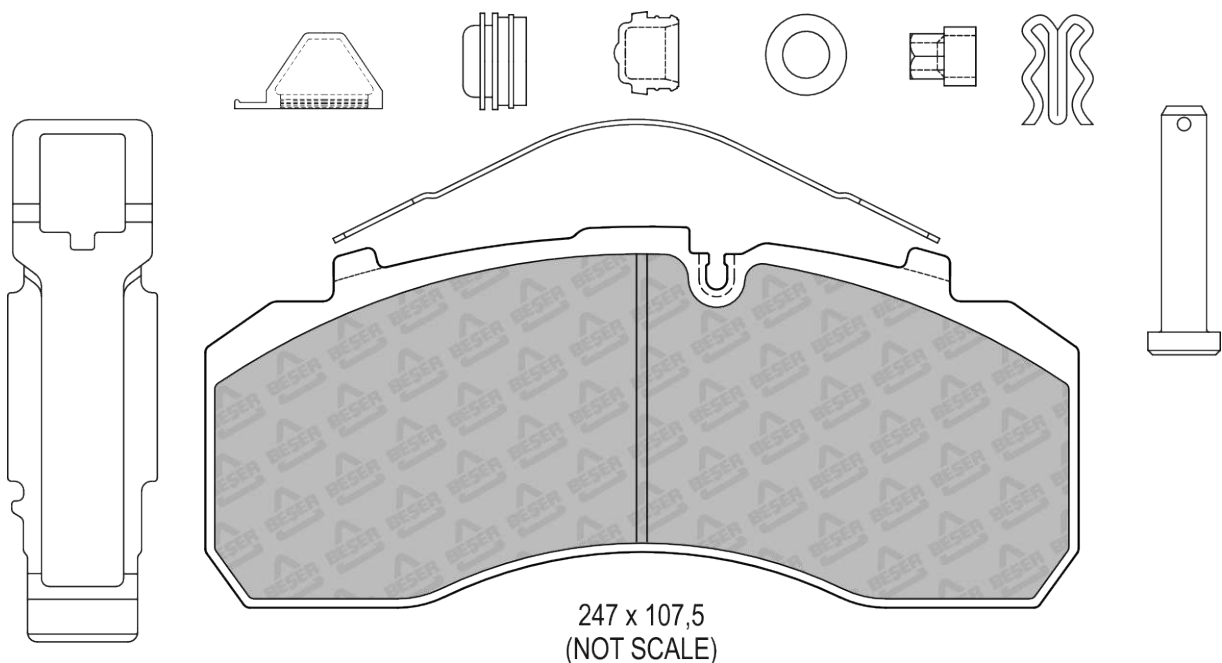




REFERENCE	T(mm)	REMARKS	MAKE	F/R	WVA No
4091	30	4 PADS PLAIN	BERKHOF-BOVA-DAF-DENNIS-ERF-IRISBUS IRIZAR-IVECO-MAN-MERCEDES BENZ NEOPLAN-OPTARE-RENAULT TRUCKS SCANIA-SETRA-SOLARIS-VOLVO	F/R	29252 29266 29253 29278 29255 29293

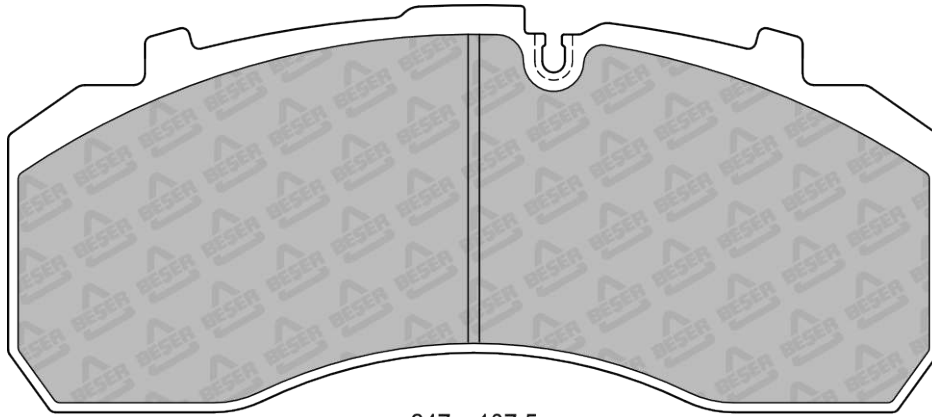


REFERENCE	T(mm)	REMARKS	MAKE	F/R	WVA No
4091/1	30	4 PADS PLAIN	SETRA	F/R	29252 29266 29253 29278 29255 29293



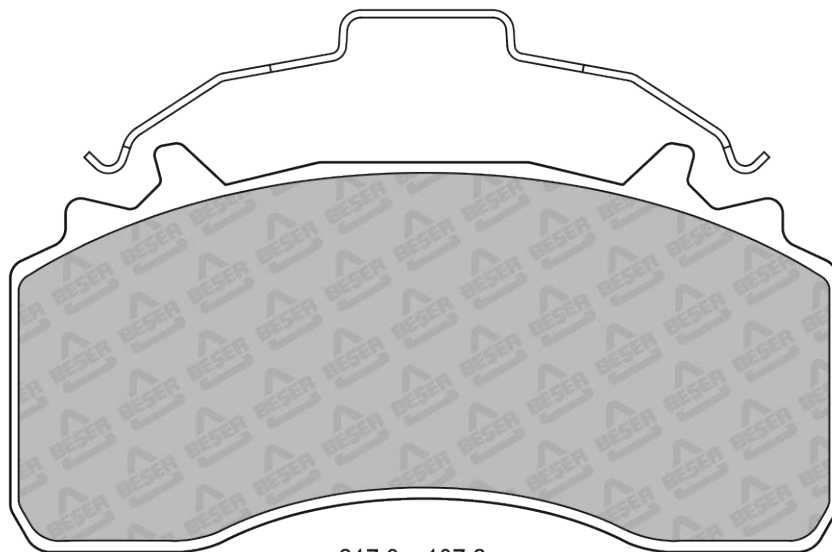
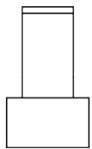
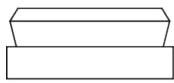


REFERENCE	T(mm)	REMARKS	MAKE	F/R	WVA No
4091/A	30	4 PADS PLAIN	SETRA	F/R	29252 29266 29253 29278 29255 29293

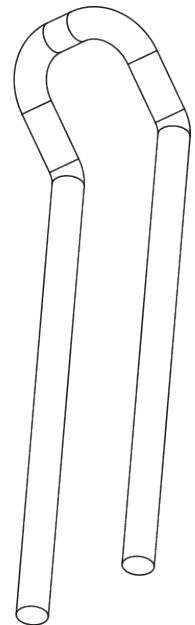


247 x 107,5  
(NOT SCALE)

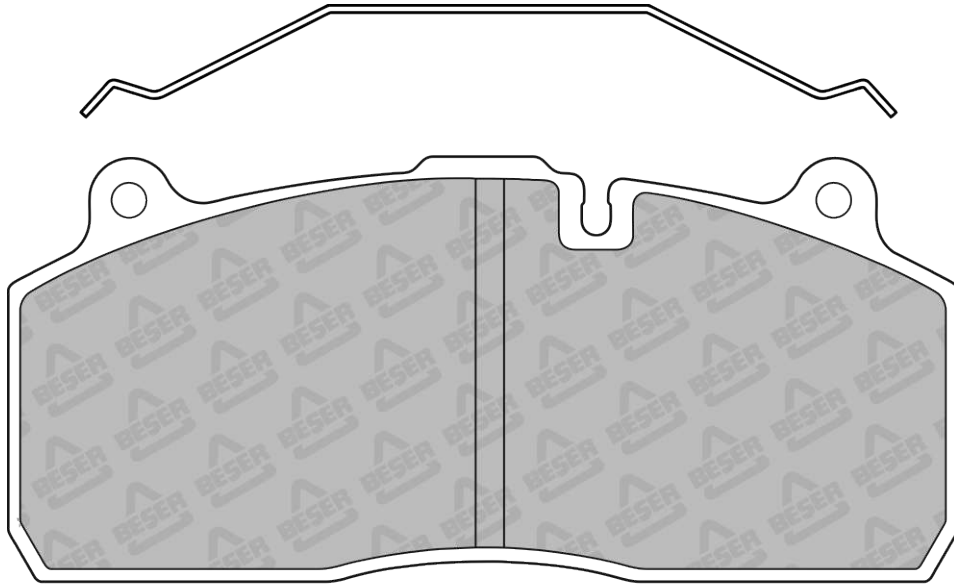
REFERENCE	T(mm)	REMARKS	MAKE	F/R	WVA No
4129	30	4 PADS PLAIN	MAN	F/R	29223 29279 29337



217,3 x 107,2  
(NOT SCALE)

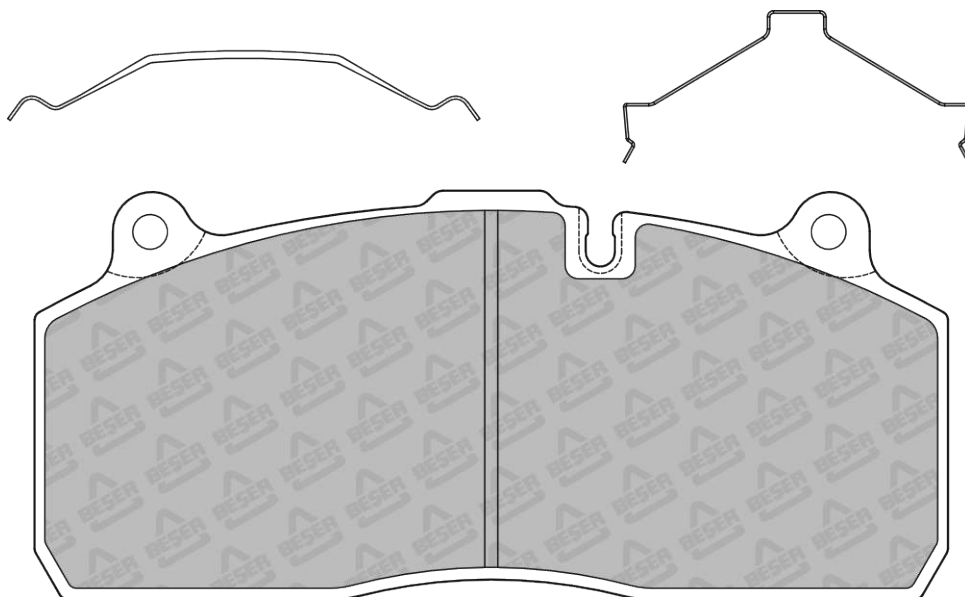


REFERENCE	T(mm)	REMARKS	MAKE	F/R	WVA No
4130	30	4 PADS PLAIN	GIGANT - SAF	R	29175 29195



210 x 93,5  
(NOT SCALE)

REFERENCE	T(mm)	REMARKS	MAKE	F/R	WVA No
4130/1	30	4 PADS PLAIN	GIGANT - SAF	R	29195 29274

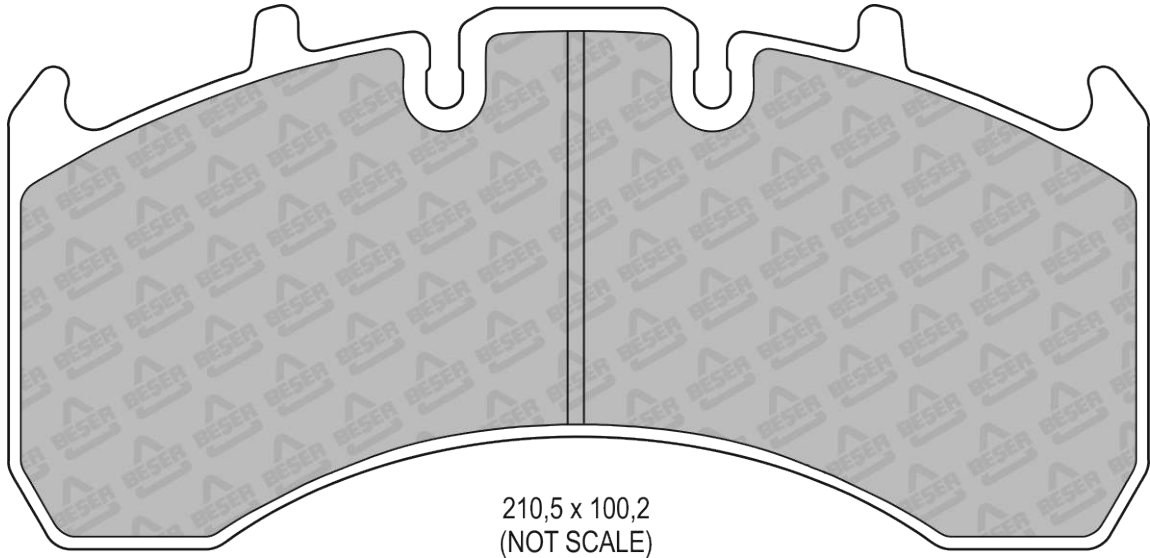


210 x 93,5  
(NOT SCALE)

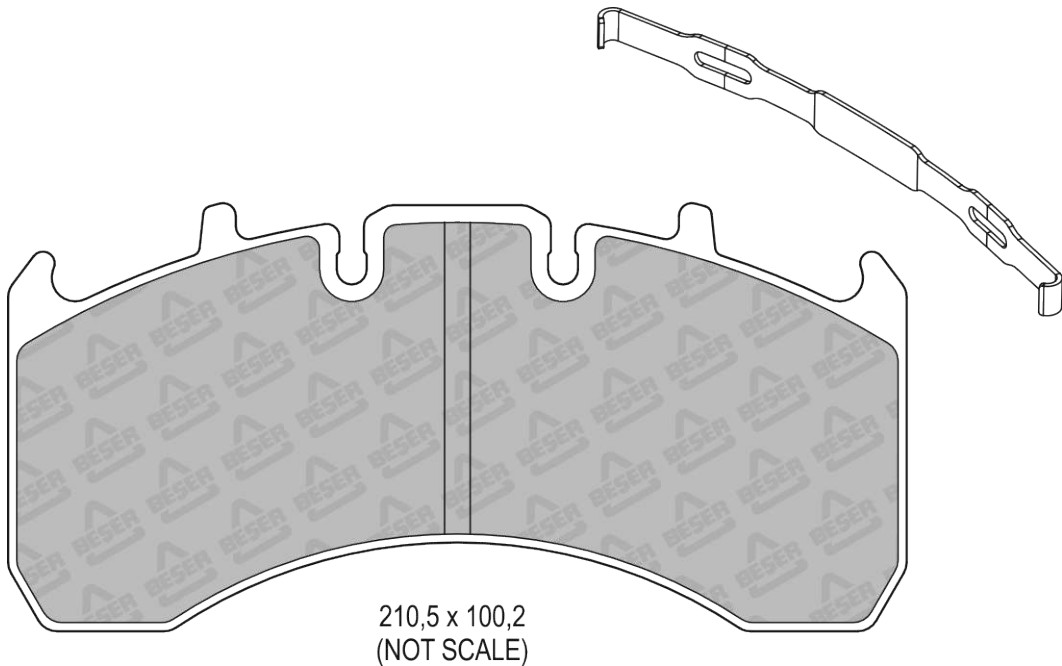




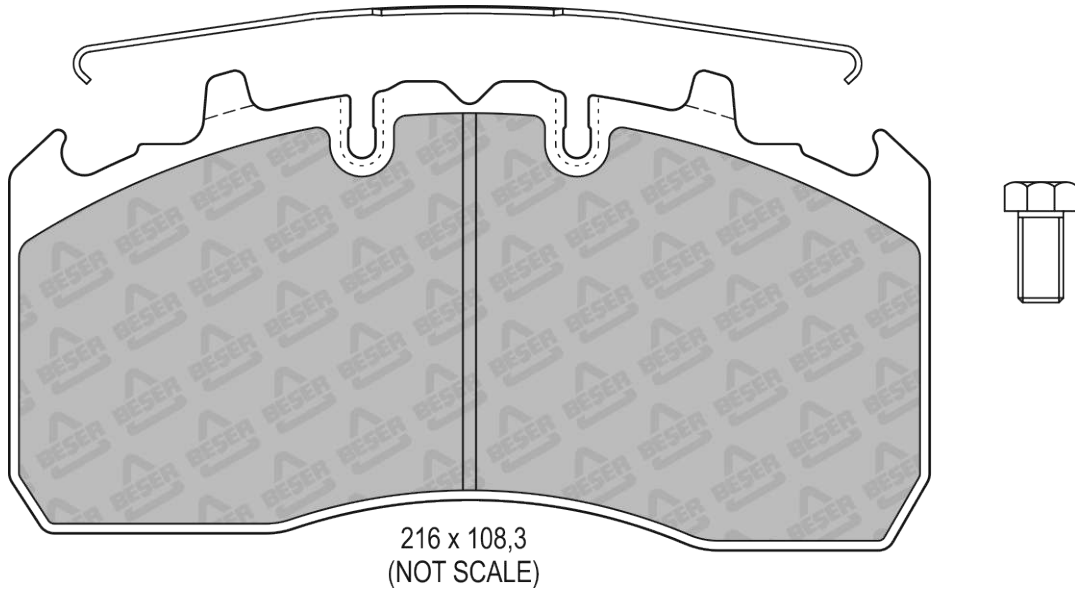
REFERENCE	T(mm)	REMARKS	MAKE	F/R	WVA No
4131	30	4 PADS PLAIN	MERITOR	F/R	29169 29177



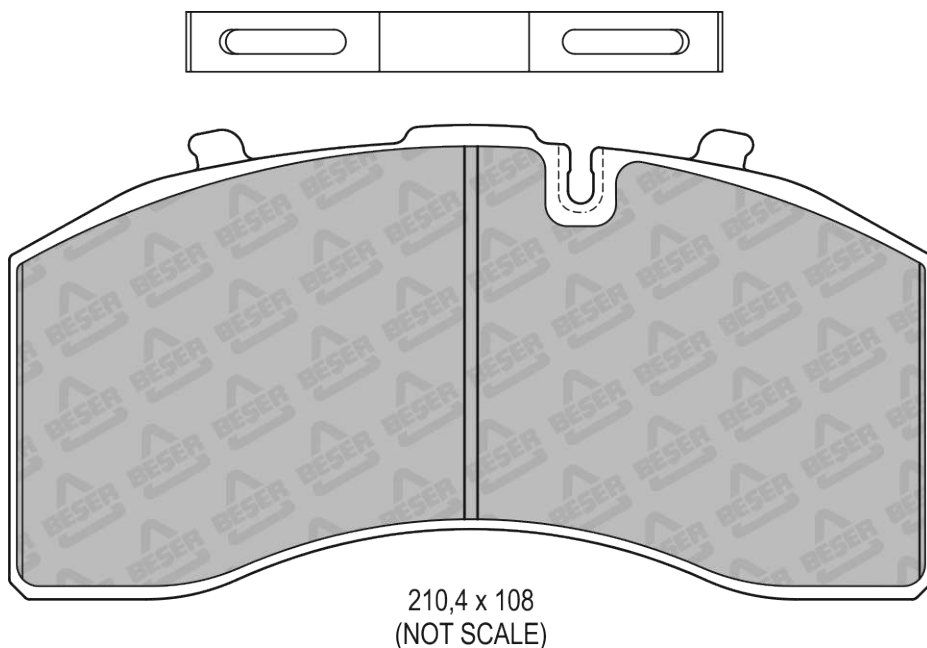
REFERENCE	T(mm)	REMARKS	MAKE	F/R	WVA No
4131/1	30	4 PADS PLAIN	RENAULT V.I. - ROR - VOLVO	F/R	29169 29177



REFERENCE	T(mm)	REMARKS	MAKE	F/R	WVA No
4164	29	4 PADS PLAIN	ROR	R	29211

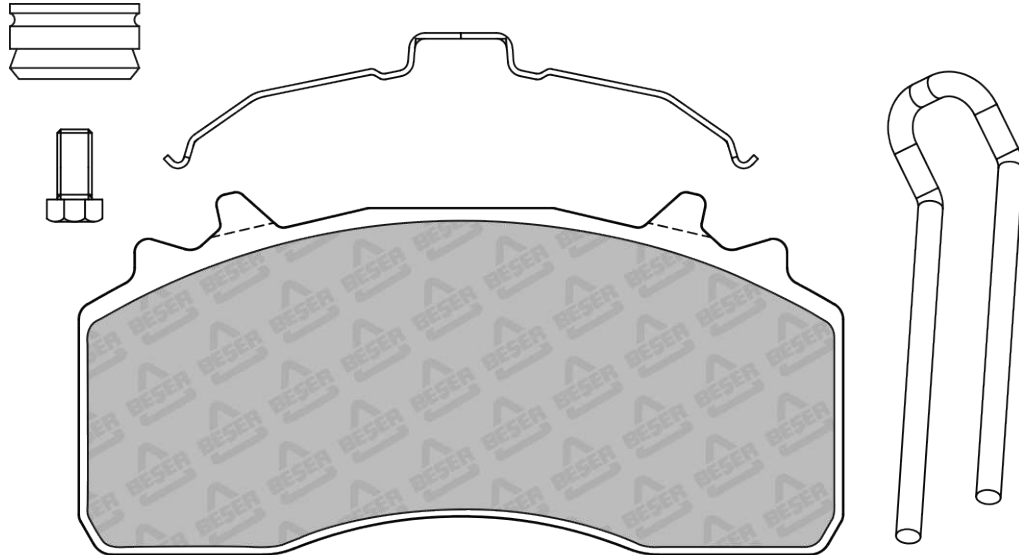


REFERENCE	T(mm)	REMARKS	MAKE	F/R	WVA No
4243	30	4 PADS PLAIN	BPW - MERCEDES BENZ SAF AXLE	R	29158



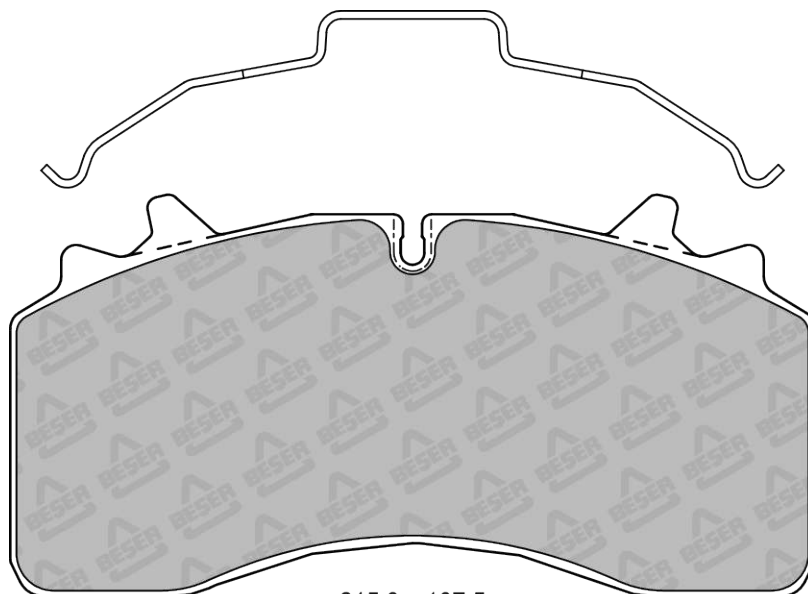


REFERENCE	T(mm)	REMARKS	MAKE	F/R	WVA No
4266	29,5	4 PADS PLAIN	MERCEDES BENZ	-	-



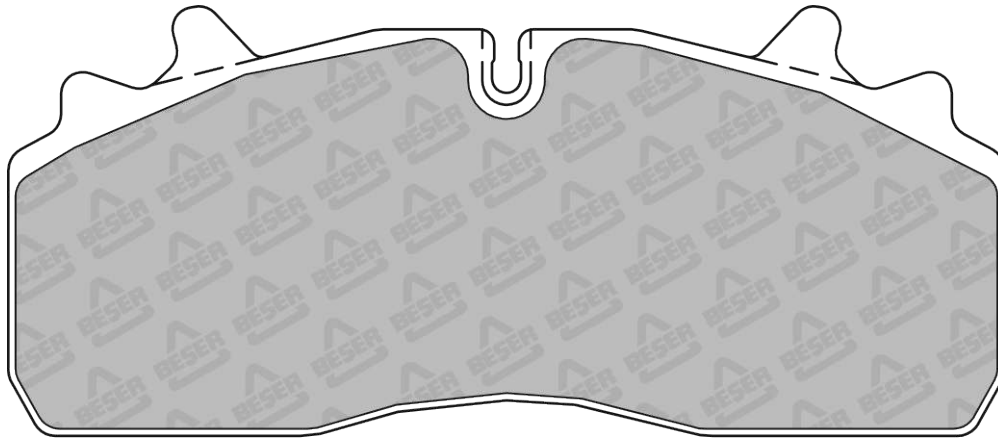
220,2 x 104,4  
(NOT SCALE)

REFERENCE	T(mm)	REMARKS	MAKE	F/R	WVA No
4288	30	4 PADS PLAIN	---	-	---



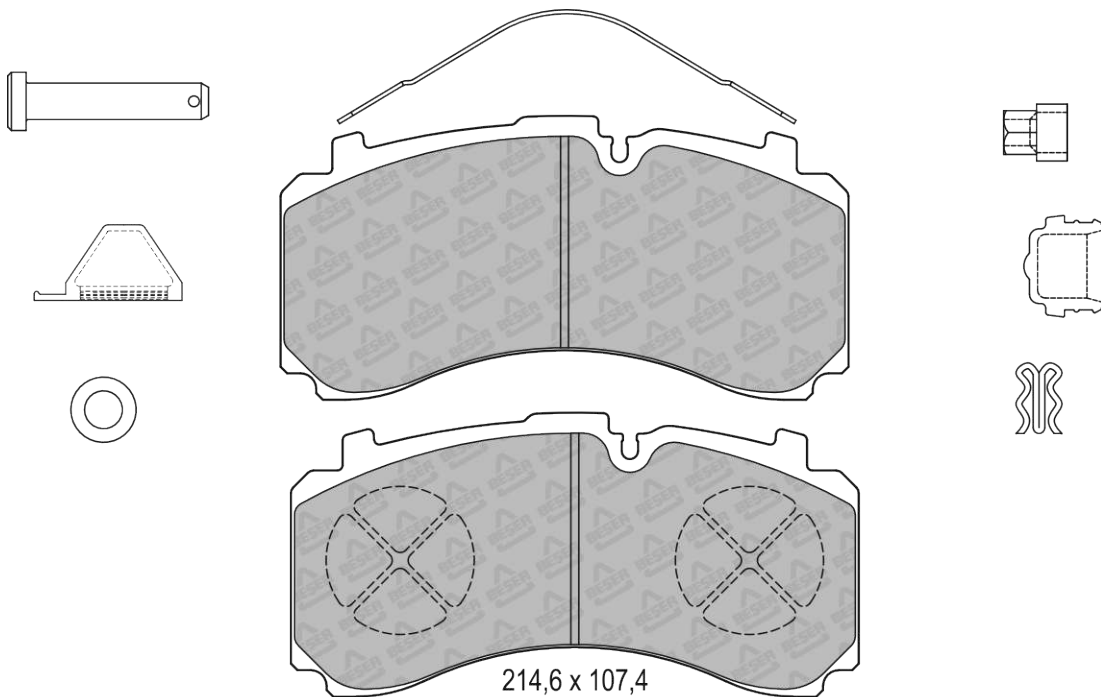
215,3 x 107,5  
(NOT SCALE)

REFERENCE	T(mm)	REMARKS	MAKE	F/R	WVA No
4290	28	4 PADS PLAIN	RENAULT TRUCKS - VOLVO	F/R	29284



210,2 x 90,6  
(NOT SCALE)

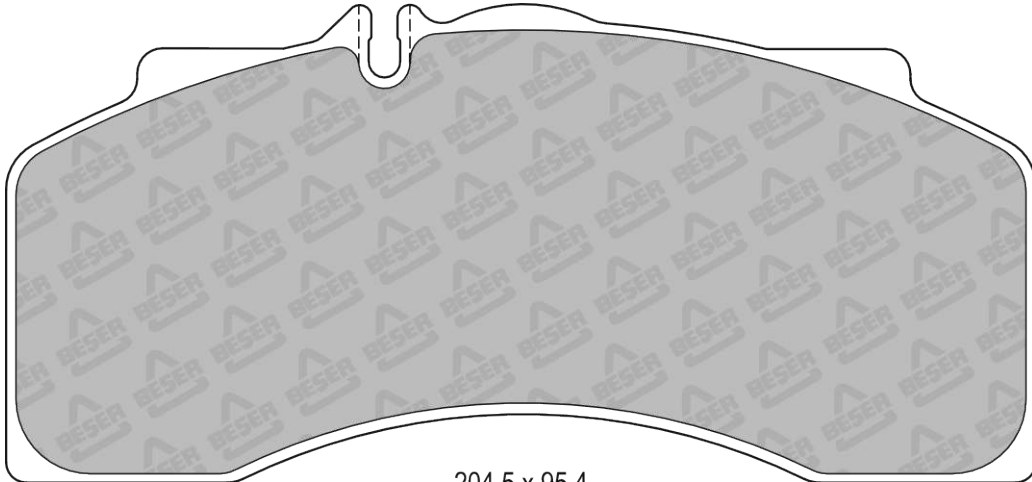
REFERENCE	T(mm)	REMARKS	MAKE	F/R	WVA No
4302	31,3 34,8	4 PADS PLAIN	MERCEDES BENZ	F/R	29328 29329



214,6 x 107,4  
(NOT SCALE)

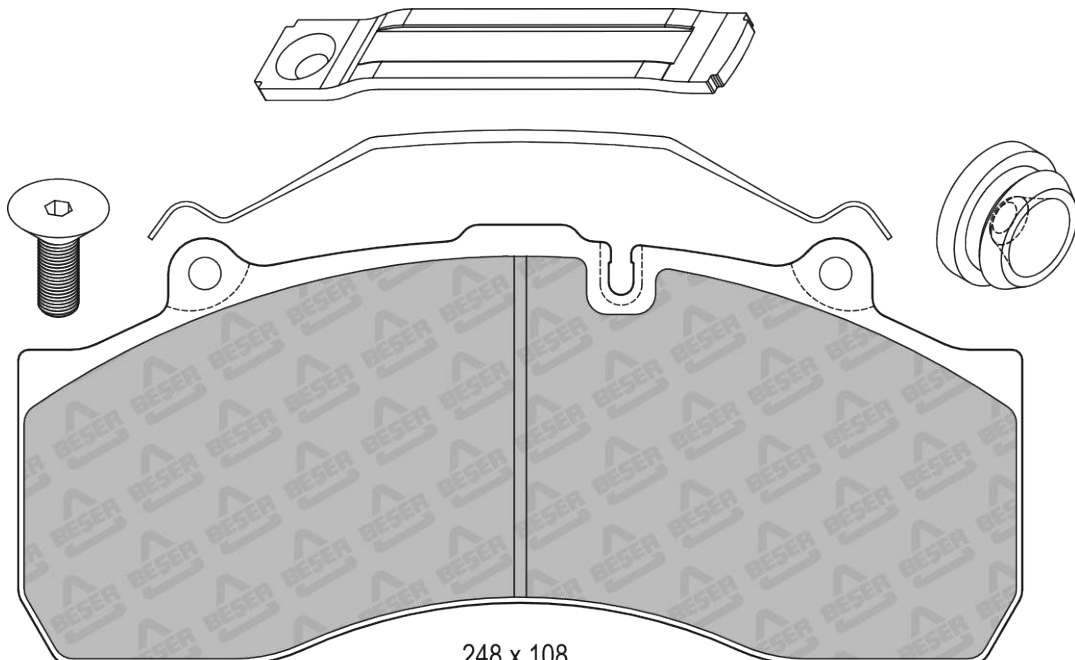


REFERENCE	T(mm)	REMARKS	MAKE	F/R	WVA No
4322	23	4 PADS PLAIN	MERCEDES BENZ	F/R	29134



204,5 x 95,4  
(NOT SCALE)

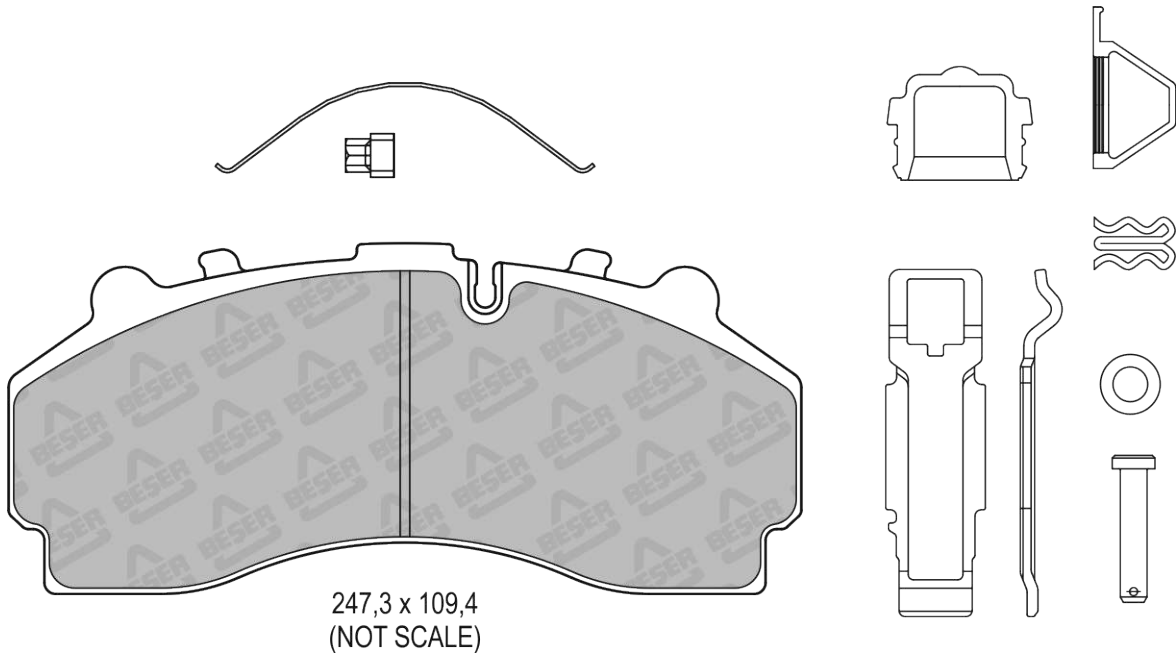
REFERENCE	T(mm)	REMARKS	MAKE	F/R	WVA No
4359	30	4 PADS PLAIN	FRUEHAUF - IVECO - SAF SCANIA - SMB	F/R	29143 29176



248 x 108  
(NOT SCALE)




REFERENCE	T(mm)	REMARKS	MAKE	F/R	WVA No
4362	30	4 PADS PLAIN	SCANIA	R	29331







## **CROSS REFERENCE**





<b>ABEX</b>			
NO	NO	NO	NO
G0857	3433/1	G6843DFE	3664/A
G6268	3433	G6887	4359
G6493	3497	G6891	3870
G6493	3497/1	G6891	3870/2
G6493	3497/2	G6894	3844
G6493	3498	G6898	3497
G6502	3525	G6898	3497/1
G6502	3525/A	G6898	3497/2
G6517	3497	G6898	3498
G6517	3497/1	G6898FE	3497
G6517	3497/2	G6898FE	3497/1
G6517	3498	G6898FE	3497/2
G6644	3770	G6898FE	3498
G6644	3770/1	G6910FE	3664
G6746FE	3789	G6910FE	3664/1
G6746FE	3789/3	G6910FE	3664/3
G6797	3664	G6910FE	3664/4
G6797	3664/1	G6910FE	3664/5
G6797	3664/3	G6910FE	3664/7
G6797	3664/4	G6910FE	3664/8
G6797	3664/5	G6910FE	3664/9
G6797	3664/7	G6910FE	3664/A
G6797	3664/8	G6911	3497
G6797	3664/9	G6911	3497/1
G6797	3664/A	G6911	3497/2
G6802	3433	G6911	3498
G6812	3565	G6911FE	3497
G6812	3565/1	G6911FE	3497/1
G6812	3565/2	G6911FE	3497/2
G6812	3565/3	G6911FE	3498
G6812	3565/5	G6912	3497
G6812	3565/A	G6912	3497/1
G6813FE	3789	G6912	3497/2
G6813FE	3789/3	G6912	3498
G6814	3565	G6912FE	3497
G6814	3565/1	G6912FE	3497/1
G6814	3565/2	G6912FE	3497/2
G6814	3565/3	G6912FE	3498
G6814	3565/5	G6919	3845
G6814	3565/A	G6919	3845/1
G6841FE	3664	G6920	3828
G6841FE	3664/1	G6920	3828/1
G6841FE	3664/3	G6920	3828/2
G6841FE	3664/4	G6920	3828/3
G6841FE	3664/5	G6920FE	3828
G6841FE	3664/7	G6920FE	3828/1
G6841FE	3664/8	G6920FE	3828/2
G6841FE	3664/9	G6920FE	3828/3
G6841FE	3664/A	G6921	3828
G6842	3664	G6921	3828/1
G6842	3664/1	G6921	3828/2
G6842	3664/3	G6921	3828/3
G6842	3664/4	G6921FE	3828
G6842	3664/5	G6921FE	3828/1
G6842	3664/7	G6921FE	3828/2
G6842	3664/8	G6921FE	3828/3
G6842	3664/9	G6922	3828
G6842	3664/A	G6922	3828/1
G6843DFE	3664	G6922	3828/2
G6843DFE	3664/1	G6922	3828/3
G6843DFE	3664/3	G6922FE	3828
G6843DFE	3664/4	G6922FE	3828/1
G6843DFE	3664/5	G6922FE	3828/2
G6843DFE	3664/7	G6922FE	3828/3
G6843DFE	3664/8	G6927	3497
G6843DFE	3664/9	G6927	3497/1
		G6927	3497/2
		G6927	3498
		G6928	3497
		G6928	3497/1


<b>ABEX</b>			
NO	NO	NO	NO
G6928	3497/2	G6930FE	3497
G6928	3498	G6930FE	3497/1
G6930FE	3497	G6930FE	3497/2
G6930FE	3497/1	G6930FE	3498
G6930FE	3497/2	G6931	3497
G6930FE	3498	G6931	3497/1
G6931	3497	G6931	3497/2
G6931	3497/1	G6931	3498
G6931	3497/2	G6932	4131
G6931	3498	G6932	4131/1
G6932	4131	G6933	3565
G6932	4131/1	G6933	3565/1
G6933	3565	G6933	3565/2
G6933	3565/1	G6933	3565/3
G6933	3565/2	G6933	3565/5
G6933	3565/3	G6933	3565/A
G6933	3565/5	G6935	3839
G6933	3565/A	G6935	3839/1
G6935	3839	G6935	3839/2
G6935	3839/1	G6936	3902
G6935	3839/2	G6936	3902/1
G6936	3902	G6936	3902/2
G6936	3902/1	G6936	4243
G6936	3902/2	G6937	3664/2
G6937	3664/2	G6938	3789/1
G6938	3789/1	G6938	3789/2
G6938	3789/2	G6938	3789/4
G6938	3789/4	G6939	3902
G6939	3902	G6939	3902/1
G6939	3902/1	G6939	3902/2
G6939	3902/2	G6939	4243
G6939	4243	G6940FE	3664
G6940FE	3664	G6940FE	3664/1
G6940FE	3664/1	G6940FE	3664/3
G6940FE	3664/3	G6940FE	3664/4
G6940FE	3664/4	G6940FE	3664/5
G6940FE	3664/5	G6940FE	3664/7
G6940FE	3664/7	G6940FE	3664/8
G6940FE	3664/8	G6940FE	3664/9
G6940FE	3664/9	G6940FE	3664/A
G6941FE	3789	G6941FE	3789
G6941FE	3789/3	G6942	3770
G6942	3770	G6942	3770/1
G6942	3770/1	G6948	3844
G6948	3844	G6949FE	3917
G6949FE	3917	G6949FE	3917/1
G6949FE	3917/1	G6950	4047
G6950	4047	G6950	4047/1
G6950	4047/1	G6952	4359
G6952	4359	G6953FE	3664
G6953FE	3664	G6953FE	3664/1
G6953FE	3664/1	G6953FE	3664/3
G6953FE	3664/3	G6953FE	3664/4
G6953FE	3664/4	G6953FE	3664/5
G6953FE	3664/5	G6953FE	3664/7
G6953FE	3664/7	G6953FE	3664/8
G6953FE	3664/8	G6953FE	3664/9
G6953FE	3664/9	G6953FE	3664/A
G6953FE	3664/A	G6956	3845
G6956	3845	G6956	3845/1
G6956	3845/1	G6957	3844
G6957	3844	G6958	3837
G6958	3837	G6959HD	3664
G6959HD	3664	G6959HD	3664/1
G6959HD	3664/1	G6959HD	3664/3
G6959HD	3664/3	G6959HD	3664/4
G6959HD	3664/4	G6959HD	3664/5
G6959HD	3664/5	G6959HD	3664/7





<b>ABEX</b>			
NO	NO	NO	NO
G6959HD	3664/8	G6959HD	3664/8
G6959HD	3664/9	G6959HD	3664/9
G6959HD	3664/A	G6960	3844
G6960	3844	G6961FE	3917
G6961FE	3917	G6961FE	3917/1
G6961FE	3917/1	G6963FE	3917
G6963FE	3917	G6963FE	3917/1
G6963FE	3917/1	G6964	4131
G6964	4131	G6964	4131/1
G6964	4131/1	G6969	4169
G6969	4169	G6974	3565
G6974	3565	G6974	3565/1
G6974	3565/1	G6974	3565/2
G6974	3565/2	G6974	3565/3
G6974	3565/3	G6974	3565/5
G6974	3565/5	G6974	3565/A
G6974	3565/A	G6975	3844
G6975	3844	G6976	3844
G6976	3844	G6977	3844
G6977	3844	G6983FE	3664
G6983FE	3664	G6983FE	3664/1
G6983FE	3664/1	G6983FE	3664/3
G6983FE	3664/3	G6983FE	3664/4
G6983FE	3664/4	G6983FE	3664/5
G6983FE	3664/5	G6983FE	3664/7
G6983FE	3664/7	G6983FE	3664/8
G6983FE	3664/8	G6983FE	3664/9
G6983FE	3664/9	G6983FE	3664/A
G6984	4047	G6984	4047
G6984	4047/1	G6985FE	3917
G6985FE	3917	G6985FE	3917/1
G6985FE	3917/1		







<b>BPW</b>			
NO	NO	NO	NO
20311500	3870/3		
20311600	3870/3		
203121500	3870/3		
203121600	3870/3		
980102750	3870/3		
980102930	3870/3		
980106210	3870/3		
02 0312 15 00	3870/3		
02 0312 16 00	3870/3		
02.0312.15.00	3870/3		
02.0312.16.00	3870/3		
09 801 02 75 0	3870/3		
09 801 06 21 0	3870/3		
<b>BRECK</b>			
NO	NO	NO	NO
29011 00 901 10	3525		
29011 00 901 10	3525/A		
29017	3433/1		
29024	3433		
29030 00 901 10	3497		
29030 00 901 10	3497/1		
29030 00 901 10	3497/2		
29030 00 901 10	3498		
29053 00 901 10	3497		
29053 00 901 10	3497/1		
29053 00 901 10	3497/2		
29053 00 901 10	3498		
29059 00 901 10	3664		
29059 00 901 10	3664/1		
29059 00 901 10	3664/3		
29059 00 901 10	3664/4		
29059 00 901 10	3664/5		
29059 00 901 10	3664/7		
29059 00 901 10	3664/8		
29059 00 901 10	3664/9		
29059 00 901 10	3664/A		
29083	3497		
29083	3497/1		
29083	3497/2		
29083	3498		
29084	3497		
29084	3497/1		
29084	3497/2		
29084	3498		
29087	3664		
29087	3664/1		
29087	3664/3		
29087	3664/4		
29087	3664/5		
29087	3664/7		
29087	3664/8		
29087	3664/9		
29087	3664/A		
29088 00 902 00	3565		

<b>BRECK</b>			
NO	NO	NO	NO
29088 00 902 00	3565/1		
29088 00 902 00	3565/2		
29088 00 902 00	3565/3		
29088 00 902 00	3565/5		
29088 00 902 00	3565/A		
29090 00 901 00	3770		
29090 00 901 00	3770/1		
29091 00 902 00	3565		
29091 00 902 00	3565/1		
29091 00 902 00	3565/2		
29091 00 902 00	3565/3		
29091 00 902 00	3565/5		
29091 00 902 00	3565/A		
29092 00 901 00	3789		
29093 00 901 00	3789		
29094 00 901 00	3789/1		
29095 00 901 00	3789/2		
29096 00 901 00	3789/3		
29097 00 901 00	3789/3		
29098 00 901 00	3789/4		
29099 00 901 00	3828		
29100 00 901 00	3828/1		
29101 00 901 00	3828/2		
29102 00 901 00	3828/3		
29103 00 901 00	3837		
29104 00 901 00	3837		
29105	3664		
29105	3664/1		
29105	3664/3		
29105	3664/4		
29105	3664/5		
29105	3664/7		
29105	3664/8		
29105	3664/9		
29105	3664/A		
29105 00 901 00	3839		
29106 00 901 00	3839/1		
29107 00 901 00	3839/2		
29108 00 901 00	3844		
29108 00 901 10	3664		
29108 00 901 10	3664/1		
29108 00 901 10	3664/3		
29108 00 901 10	3664/4		
29108 00 901 10	3664/5		
29108 00 901 10	3664/7		
29108 00 901 10	3664/8		
29108 00 901 10	3664/9		
29108 00 901 10	3664/A		
29109 00 901 00	3845		
29110 00 901 00	3845/1		
29111 00 901 00	3870		
29112 00 901 00	3870		
29113	3497		
29113	3497/1		
29113	3497/2		
29113	3498		
29113 00 901 00	3870/2		
29114	3497		
29114	3497/1		
29114	3497/2		
29114	3498		
29114 00 901 00	3870/2		
29115 00 901 00	3902		
29116 00 901 00	3902		
29117 00 901 00	3902/1		
29118 00 901 00	3902/1		
29119 00 901 00	3902/2		
29120 00 901 00	3902/2		
29121 00 901 00	3908		
29122 00 901 00	3908/1		


<b>BRECK</b>			
NO	NO	NO	NO
29123 00 901 00	3908/A		
29124 00 901 00	3917		
29125 00 901 00	3917/1		
29128 00 901 00	4047		
29129 00 901 00	4047/1		
29130 00 901 00	4131		
29131 00 901 00	4131/1		
29132 00 901 00	4243		
29133 00 901 00	4243		
29134 00 901 00	4359		
29167 00 901 00	3664/2		
<b>BREMSI</b>			
NO	NO	NO	NO
BP7255	3707		
<b>CASALS</b>			
NO	NO	NO	NO
BKM274	3818		
BKM274	4130		
BKM274	4130/1		
<b>COMLINE</b>			
NO	NO	NO	NO
CBP9049M	3672		


<b>DELPHI</b>			
NO	NO	NO	NO
LP660	3433/1		
LP857	3433		
<b>DEX</b>			
NO	NO	NO	NO
2595.0	3433/1		
2595.1	3433		
2597.0	3525		
2597.0	3525/A		
2598.0	3565		
2598.0	3565/1		
2598.0	3565/2		
2598.0	3565/3		
2598.0	3565/5		
2598.0	3565/A		
2599.0	3908		
2599.0	3908/1		
2599.0	3908/A		
2600.0	3789		
2600.0	3789/3		
2601.0	3664		
2601.0	3664/1		
2601.0	3664/3		
2601.0	3664/4		
2601.0	3664/5		
2601.0	3664/7		
2601.0	3664/8		
2601.0	3664/9		
2601.0	3664/A		
2602.0	3497		
2602.0	3497/1		
2602.0	3497/2		
2602.0	3498		
2603.0	3828		
2603.0	3828/1		
2603.0	3828/2		
2603.0	3828/3		
2604.0	3837		
2605.0	3770		
2605.0	3770/1		
2606.0	3870		
2606.0	3870/2		
2609.0	3845		
2609.0	3845/1		
2610.0	4359		
2611.0	3789/1		
2611.0	3789/2		
2611.0	3789/4		
2612.0	3664/2		
2666.0	4131		
2666.0	4131/1		
2668.0	3902		
2668.0	3902/1		
2668.0	3902/2		















FERODO			
NO	NO	NO	NO
FCV1584B	3498		
FCV1585	3497		
FCV1585	3497/1		
FCV1585	3497/2		
FCV1585	3498		
FCV1585B	3497		
FCV1585B	3497/1		
FCV1585B	3497/2		
FCV1585B	3498		
FCV1585BFE	3497		
FCV1585BFE	3497/1		
FCV1585BFE	3497/2		
FCV1585BFE	3498		
FCV1598	3664		
FCV1598	3664/1		
FCV1598	3664/3		
FCV1598	3664/4		
FCV1598	3664/5		
FCV1598	3664/7		
FCV1598	3664/8		
FCV1598	3664/9		
FCV1598	3664/A		
FCV1598B	3664		
FCV1598B	3664/1		
FCV1598B	3664/3		
FCV1598B	3664/4		
FCV1598B	3664/5		
FCV1598B	3664/7		
FCV1598B	3664/8		
FCV1598B	3664/9		
FCV1598B	3664/A		
FCV1598BFE	3664		
FCV1598BFE	3664/1		
FCV1598BFE	3664/3		
FCV1598BFE	3664/4		
FCV1598BFE	3664/5		
FCV1598BFE	3664/7		
FCV1598BFE	3664/8		
FCV1598BFE	3664/9		
FCV1598BFE	3664/A		
FCV1624	4131		
FCV1624	4131/1		
FCV1624B	4131		
FCV1624B	4131/1		
FCV1653	3828		
FCV1653	3828/1		
FCV1653	3828/2		
FCV1653	3828/3		
FCV1653B	3828		
FCV1653B	3828/1		
FCV1653B	3828/2		
FCV1653B	3828/3		
FCV1653BFE	3828		
FCV1653BFE	3828/1		
FCV1653BFE	3828/2		
FCV1653BFE	3828/3		
FCV1656	3828		
FCV1656	3828/1		
FCV1656	3828/2		
FCV1656	3828/3		
FCV1656B	3828		
FCV1656B	3828/1		
FCV1656B	3828/2		
FCV1656B	3828/3		
FCV1656BFE	3828		
FCV1656BFE	3828/1		
FCV1656BFE	3828/2		
FCV1656BFE	3828/3		
FCV1657	3902		
FCV1657	3902/1		
FCV1657	3902/2		


FERODO			
NO	NO	NO	NO
FCV1657	4243		
FCV1657B	3902		
FCV1657B	3902/1		
FCV1657B	3902/2		
FCV1657B	4243		
FCV1677	3664/2		
FCV1677B	3664/2		
FCV1678	3789/1		
FCV1678	3789/2		
FCV1678	3789/4		
FCV1678B	3789/1		
FCV1678B	3789/2		
FCV1678B	3789/4		
FCV1678B	3789/4		
FCV1678B	3789/4		
FCV1678B	3789/4		
FCV1762B	3497		
FCV1762B	3497/1		
FCV1762B	3497/2		
FCV1762B	3498		
FCV1762BFE	3497		
FCV1762BFE	3497/1		
FCV1762BFE	3497/2		
FCV1762BFE	3498		
FCV1763B	3497		
FCV1763B	3497/1		
FCV1763B	3497/2		
FCV1763B	3498		
FCV1792BFE	3789		
FCV1792BFE	3789/3		
FCV1825	3902		
FCV1825	3902/1		
FCV1825	3902/2		
FCV1825	4243		
FCV1825B	3902		
FCV1825B	3902/1		
FCV1825B	3902/2		
FCV1825B	4243		
FCV1828	3839		
FCV1828	3839/1		
FCV1828	3839/2		
FCV1855BFE	3917		
FCV1855BFE	3917/1		
FCV1856	4047		
FCV1856	4047/1		
FCV1856B	4047		
FCV1856B	4047/1		
FCV1901B	4359		
FCV1962B	3845		
FCV1962B	3845/1		
FCV1963	3844		
FCV1963B	3844		
FCV1964	3844		
FCV1964B	3844		
FCV1989	3917		
FCV1989	3917/1		
FCV1989BFE	3917		
FCV1989BFE	3917/1		
FCV376	3433/1		
FCV4043	3844		
FCV4115BFE	3917		
FCV4115BFE	3917/1		
FCV4170B	4131		
FCV4170B	4131/1		
FCV4254	4169		
FCV4283	3565		
FCV4283	3565/1		
FCV4283	3565/2		
FCV4283	3565/3		
FCV4283	3565/5		
FCV4283	3565/A		
FCV4311B	3917		
FCV4311B	3917/1		
FCV4374BFE	3664		


FERODO			
NO	NO	NO	NO
FCV4374BFE	3664/1		
FCV4374BFE	3664/3		
FCV4374BFE	3664/4		
FCV4374BFE	3664/5		
FCV4374BFE	3664/7		
FCV4374BFE	3664/8		
FCV4374BFE	3664/9		
FCV4374BFE	3664/A		
FCV4377B	4047		
FCV4377B	4047/1		
FCV4378BFE	3917		
FCV4378BFE	3917/1		
FCV4417	4050		
FCV4417	4050/1		
FCV4417	4050/2		
FCV4417	4050/3		
FCV4417	4050/10		
FCV4417	4050/A		
FCV4417PTS	4050		
FCV4417PTS	4050/1		
FCV4417PTS	4050/2		
FCV4417PTS	4050/3		
FCV4417PTS	4050/10		
FCV4417PTS	4050/A		
FCV4418	4051		
FCV4418	4051/1		
FCV4418	4051/2		
FCV4418	4051/3		
FCV4418	4051/10		
FCV4418	4051/10		
FCV4418	4051/10		
FCV4418	4051/A		
FCV4418PTS	4051		
FCV4418PTS	4051/1		
FCV4418PTS	4051/2		
FCV4418PTS	4051/3		
FCV4418PTS	4051/10		
FCV4418PTS	4051/10		
FCV4418PTS	4051/10		
FCV4418PTS	4051/A		
FCV4582	3664/2		
FCV4582B	3664/2		
FCV4583	3789/1		
FCV4583	3789/2		
FCV4583	3789/4		
FCV4583B	3789/1		
FCV4583B	3789/2		
FCV4583B	3789/4		
FCV4584	3902		
FCV4584	3902/1		
FCV4584	3902/2		
FCV4584	4243		
FCV4584B	3902		
FCV4584B	3902/1		
FCV4584B	3902/2		
FCV4584B	4243		
FCV503	3433		
FCV760	3497		
FCV760	3497/1		
FCV760	3497/2		
FCV760	3498		
FCV760B	3497		
FCV760B	3497/1		
FCV760B	3497/2		
FCV760B	3498		
FCV773	3525		
FCV773	3525/A		

FERODO			
NO	NO	NO	NO
FVR1598	3664		
FVR1598	3664/1		
FVR1598	3664/3		
FVR1598	3664/4		
FVR1598	3664/5		
FVR1598	3664/7		
FVR1598	3664/8		
FVR1598	3664/9		
FVR1598	3664/A		
FVR1624	4131		
FVR1624	4131/1		
FMSI			
NO	NO	NO	NO
D1026	3433		
D1026	3433/1		
D1203	3664		
D1203	3664/1		
D1203	3664/3		
D1203	3664/4		
D1203	3664/5		
D1203	3664/7		
D1203	3664/8		
D1203	3664/9		
D1203	3664/A		
D1310	3828		
D1310	3828/1		
D1310	3828/2		
D1310	3828/3		
D1311	3917		
D1311	3917/1		
D1312	3770		
D1312	3770/1		
D1407	3497		
D1407	3497/1		
D1407	3497/2		
D1407	3498		
D1438	3844		
D1438	3844/1		
D1518	3565		
D1518	3565/1		
D1518	3565/2		
D1518	3565/3		
D1518	3565/5		
D1518	3565/A		
D1560	3845		
D1560	3845/1		
D1777	3839		
D1777	3839/1		
D1777	3839/2		
D1995	3908		
D1995	3908/1		
D1995	3908/A		

<b>FRAS-LE</b> 	
NO	NO
PD / 116K	3664
PD / 116K	3664/1
PD / 116K	3664/3
PD / 116K	3664/4
PD / 116K	3664/5
PD / 116K	3664/7
PD / 116K	3664/8
PD / 116K	3664/9
PD / 116K	3664/A
PD / 117	3565
PD / 117	3565/1
PD / 117	3565/2
PD / 117	3565/3
PD / 117	3565/5
PD / 117	3565/A
PD / 125	3497
PD / 125	3497/1
PD / 125	3497/2
PD / 125	3498
PD / 129	3828
PD / 129	3828/1
PD / 129	3828/2
PD / 129	3828/3
PD / 131	3844
PD / 196	3917
PD / 196	3917/1
PD / 526	3908
PD / 526	3908/1
PD / 526	3908/A
PD / 529	3845
PD / 529	3845/1
<b>FRUEHAUF</b> 	
NO	NO
M91000101	3870/3
M910001-01	3870/3
<b>GALFER</b> 	
NO	NO
20247	3433
20915	4169

<b>GRANTEX</b> 	
NO	NO
PAS - 352	3433
PAS - 448	3497
PAS - 448	3497/1
PAS - 448	3497/2
PAS - 448	3498
PAS - 453	3525
PAS - 453	3525/A
PAS - 502	3770
PAS - 502	3770/1
PAS - 510	3565
PAS - 510	3565/1
PAS - 510	3565/2
PAS - 510	3565/3
PAS - 510	3565/5
PAS - 510	3565/A
PAS - 517	3837
PAS - 547	3845
PAS - 547	3845/1
PAS - 557	3828
PAS - 557	3828/1
PAS - 557	3828/2
PAS - 557	3828/3
PAS - 563	3870
PAS - 563	3870/2
PAS - 564	3870
PAS - 564	3870/2
PAS - 624	3789
PAS - 624	3789/3
PAS - 625	3664
PAS - 625	3664/1
PAS - 625	3664/3
PAS - 625	3664/4
PAS - 625	3664/5
PAS - 625	3664/7
PAS - 625	3664/8
PAS - 625	3664/9
PAS - 625	3664/A
<b>ICER</b> 	
NO	NO
150759	3433
150764	3433/1
151040	3497
151040-067	3497
151040-112	3497
151040-113	3497
151040-120	3497
151040-127	3497
151040	3497/1
151040-067	3497/1
151040-112	3497/1
151040-113	3497/1
151040-120	3497/1
151040-127	3497/1
151040	3497/2
151040-067	3497/2
151040-112	3497/2
151040-113	3497/2
151040-120	3497/2
151040-127	3497/2

<b>ICER</b> 	
NO	NO
151040	3498
151040-067	3498
151040-112	3498
151040-113	3498
151040-120	3498
151040-127	3498
151043	3525
151043-110	3525
151043-111	3525
151043	3525/A
151043-110	3525/A
151043-111	3525/A
151253	3565
151253-067	3565
151253-120	3565
151253-121	3565
151253	3565/1
151253-067	3565/1
151253-120	3565/1
151253-121	3565/1
151253	3565/2
151253-067	3565/2
151253-120	3565/2
151253-121	3565/2
151253	3565/3
151253-067	3565/3
151253-120	3565/3
151253-121	3565/3
151253	3565/5
151253-067	3565/5
151253-120	3565/5
151253-121	3565/5
151253	3565/A
151253-067	3565/A
151253-120	3565/A
151253-121	3565/A
151193	3664
151194	3664
151 194-066	3664
151 194-072	3664
151 194-073	3664
151194-117	3664
151194-118	3664
151.194-225	3664
151195	3664
151437-118	3664
151193	3664/1
151194	3664/1
151 194-066	3664/1
151 194-072	3664/1
151 194-073	3664/1
151194-117	3664/1
151194-118	3664/1
151.194-225	3664/1
151437-118	3664/1
151195	3664/2
151630	3664/2
151630-066	3664/2
151630-072	3664/2
151193	3664/3
151194	3664/3
151 194-066	3664/3
151 194-072	3664/3
151 194-073	3664/3
151194-117	3664/3
151194-118	3664/3
151.194-225	3664/3
151195	3664/3
151437-118	3664/3
151193	3664/4
151194	3664/4

<b>ICER</b> 	
NO	NO
151 194-066	3664/4
151 194-072	3664/4
151 194-073	3664/4
151194-117	3664/4
151194-118	3664/4
151.194-225	3664/4
151195	3664/4
151437-118	3664/4
151193	3664/5
151194	3664/5
151 194-066	3664/5
151 194-072	3664/5
151 194-073	3664/5
151194-117	3664/5
151194-118	3664/5
151.194-225	3664/5
151195	3664/5
151437-118	3664/5
151193	3664/7
151194	3664/7
151 194-066	3664/7
151 194-072	3664/7
151 194-073	3664/7
151194-117	3664/7
151194-118	3664/7
151.194-225	3664/7
151195	3664/7
151437-118	3664/7
151193	3664/8
151194	3664/8
151 194-066	3664/8
151 194-072	3664/8
151 194-073	3664/8
151194-117	3664/8
151194-118	3664/8
151.194-225	3664/8
151195	3664/8
151437-118	3664/8
151193	3664/9
151194	3664/9
151 194-066	3664/9
151 194-072	3664/9
151 194-073	3664/9
151194-117	3664/9
151194-118	3664/9
151.194-225	3664/9
151195	3664/9
151437-118	3664/9
151193	3664/A
151194	3664/A
151 194-066	3664/A
151 194-072	3664/A
151 194-073	3664/A
151194-117	3664/A
151194-118	3664/A
151.194-225	3664/A
151195	3664/A
151437-118	3664/A
151194	3673
151163	3770
151 163-067	3770
151163	3770/1
151 163-067	3770/1


<b>ICER</b>	
<b>NO</b>	<b>NO</b>
151254	3789
151254-066	3789
151254-072	3789
151 254-073	3789
151254-120	3789
151254-217	3789
151254-225	3789
151629	3789/1
151629-066	3789/1
151629	3789/2
151629-066	3789/2
151254	3789/3
151254-066	3789/3
151254-072	3789/3
151 254-073	3789/3
151254-120	3789/3
151254-217	3789/3
151254-225	3789/3
151629	3789/4
151629-066	3789/4
151405	3828
151405-067	3828
151405-120	3828
151405	3828/1
151405-067	3828/1
151405-120	3828/1
151405	3828/2
151405-067	3828/2
151405-120	3828/2
151405	3828/3
151405-067	3828/3
151405-120	3828/3
151245	3837
151280	3837
151 280-067	3837
151631	3839
151 631-066	3839
151631-067	3839
151631	3839/1
151 631-066	3839/1
151631-067	3839/1
151631	3839/2
151 631-066	3839/2
151631-067	3839/2
151623	3844
151623-066	3844
151623-067	3844
151623-225	3844
151623-124	3844/1
151623-225	3844/1
151427	3845
151 427-066	3845
151427	3845/1
151 427-066	3845/1
151430	3870
151 430-124	3870
151 430-122	3870/1
151430	3870/2
151 430-124	3870/2
151830	3902
151 830-066	3902
151830	3902/1
151 830-066	3902/1
151830	3902/2
151 830-066	3902/2
151831	3917
15 831-066	3917
151831-122	3917
151831	3917/1
15 831-066	3917/1


<b>ICER</b>	
<b>NO</b>	<b>NO</b>
151831-122	3917/1
151841	4047
151841-066	4047
151841-122	4047
151841	4047/1
151841-066	4047/1
151 437-066	4359
151 830-066	4243
151 842-066	4131
151 842-066	4131/1
151423	4359
151423-118	4359
151437	4359
151830	4243
151841-122	4047/1
151842	4131
151842	4131/1
151842-122	4131
151842-122	4131/1
151958	4169
151958-117	4169
152 123-066	4051
152 123-066	4051/1
152 123-066	4051/2
152 123-066	4051/3
152 123-066	4051/10
152 123-066	4051/10
152 123-066	4051/10
152 123-066	4051/A
152 124-066	4050
152 124-066	4050/1
152 124-066	4050/2
152 124-066	4050/3
152 124-066	4050/10
152 124-066	4050/A
152123	4051
152123	4051/1
152123	4051/2
152123	4051/3
152123	4051/10
152123	4051/10
152123	4051/10
152123	4051/A
152124	4050
152124	4050/1
152124	4050/2
152124	4050/3
152124	4050/10
152124	4050/A



<b>IRQ</b>	
<b>NO</b>	<b>NO</b>
900596	4131
900596	4131/1
900599	3902
900599	3902/1
900599	3902/2
900599	4243
901004	4047
901004	4047/1
901005	3917
901005	3917/1
905063	3525
905063	3525/A
905277	3433/1
905278	3433
905339	3837
905409	3664
905409	3664/1
905409	3664/3
905409	3664/4
905409	3664/5
905409	3664/7
905409	3664/8
905409	3664/9
905409	3664/A
905410	3789
905410	3789/3
905411	3845
905411	3845/1
905412	3497
905412	3497/1
905412	3497/2
905412	3498
905413	4359
905414	3770
905414	3770/1
905674	3565
905674	3565/1
905674	3565/2
905674	3565/3
905674	3565/5
905674	3565/A
905679	3908
905679	3908/1
905679	3908/A
905694	3828
905694	3828/1
905694	3828/2
905694	3828/3
905699	3870
905699	3870/2
905707	3789/1
905707	3789/2
905707	3789/4
905710	3664/2
906093	4169
906239	3844
906240	3839
906240	3839/1
906240	3839/2
906241	4050
906241	4050/1
906241	4050/2
906241	4050/3
906241	4050/10
906241	4050/A
906242	4051
906242	4051/1


<b>IRQ</b>	
<b>NO</b>	<b>NO</b>
906242	4051/2
906242	4051/3
906242	4051/10
906242	4051/10
906242	4051/10
906242	4051/A
915181	3870/1
915339	3844/1
<b>IVECO</b>	
<b>NO</b>	<b>NO</b>
2992336	3870/3
2996468	3870/3
299 2336	3870/3
299 6468	3870/3
500086004	3870/3



JP PARTS		
NO	NO	
900596	4131	
900596	4131/1	
900599	3902	
900599	3902/1	
900599	3902/2	
900599	4243	
901004	4047	
901004	4047/1	
901005	3917	
901005	3917/1	
905063	3525	
905063	3525/A	
905277	3433/1	
905278	3433	
905339	3837	
905409	3664	
905409	3664/1	
905409	3664/3	
905409	3664/4	
905409	3664/5	
905409	3664/7	
905409	3664/8	
905409	3664/9	
905409	3664/A	
905410	3789	
905410	3789/3	
905411	3845	
905411	3845/1	
905412	3497	
905412	3497/1	
905412	3497/2	
905412	3498	
905413	4359	
905414	3770	
905414	3770/1	
905694	3828	
905694	3828/1	
905694	3828/2	
905694	3828/3	
905699	3870	
905699	3870/2	
905707	3789/1	
905707	3789/2	
905707	3789/4	
905710	3664/2	
915156	3525	
915156	3525/A	
915157	3525	
915157	3525/A	
915158	3565	
915158	3565/1	
915158	3565/2	
915158	3565/3	
915158	3565/5	
915158	3565/A	



JP PARTS		
NO	NO	
915159	3565	
915159	3565/1	
915159	3565/2	
915159	3565/3	
915159	3565/5	
915159	3565/A	
915162	3789	
915162	3789/3	
915163	3789	
915163	3789/3	
915164	3789	
915164	3789/3	
915165	3789	
915165	3789/3	
915166	3664	
915166	3664/1	
915166	3664/3	
915166	3664/4	
915166	3664/5	
915166	3664/7	
915166	3664/8	
915166	3664/9	
915166	3664/A	
915167	3664	
915167	3664/1	
915167	3664/3	
915167	3664/4	
915167	3664/5	
915167	3664/7	
915167	3664/8	
915167	3664/9	
915167	3664/A	
915168	3664	
915168	3664/1	
915168	3664/3	
915168	3664/4	
915168	3664/5	
915168	3664/7	
915168	3664/8	
915168	3664/9	
915168	3664/A	
915169	3664	
915169	3664/1	
915169	3664/3	
915169	3664/4	
915169	3664/5	
915169	3664/7	
915169	3664/8	
915169	3664/9	
915169	3664/A	
915170	3664	
915170	3664/1	
915170	3664/3	
915170	3664/4	
915170	3664/5	
915170	3664/7	
915170	3664/8	
915170	3664/9	
915170	3664/A	
915171	3497	
915171	3497/1	
915171	3497/2	
915171	3498	
915172	3497	
915172	3497/1	
915172	3497/2	
915172	3498	
915173	3497	
915173	3497/1	
915173	3497/2	
915173	3498	


JP PARTS		
NO	NO	
915177	3828	
915177	3828/1	
915177	3828/2	
915177	3828/3	
915180	3870	
915180	3870/2	
915181	3870/1	
915182	3845	
915182	3845/1	
915183	4359	
915184	4359	
915185	3789/1	
915185	3789/2	
915185	3789/4	
915186	3789/1	
915186	3789/2	
915186	3789/4	
915187	3664/2	
915188	3664/2	
915221	4131	
915221	4131/1	
915257	4047	
915257	4047/1	
915258	4047	
915258	4047/1	
915259	3917	
915259	3917/1	
915260	3917	
915260	3917/1	
<b>JURATEK</b>		
NO	NO	
JCP004	3902	
JCP004	3902/1	
JCP004	3902/2	
JCP004	4243	
JCP1000	3664	
JCP1000	3664/1	
JCP1000	3664/3	
JCP1000	3664/4	
JCP1000	3664/5	
JCP1000	3664/7	
JCP1000	3664/8	
JCP1000	3664/9	
JCP1000	3664/A	
JCP1001	3789	
JCP1001	3789/3	
JCP1002	3902	
JCP1002	3902/1	
JCP1002	3902/2	
JCP1002	4243	
JCP1279	3565	
JCP1279	3565/1	
JCP1279	3565/2	
JCP1279	3565/3	
JCP1279	3565/5	
JCP1279	3565/A	
JCP131	3789/1	
JCP131	3789/2	
JCP131	3789/4	


JURATEK		
NO	NO	
JCP132	3902	
JCP132	3902/1	
JCP132	3902/2	
JCP132	4243	
JCP1329	3789	
JCP1329	3789/3	
JCP133	3664/2	
JCP1388	3845	
JCP1388	3845/1	
JCP2000	3664/2	
JCP2001	3789/1	
JCP2001	3789/2	
JCP2001	3789/4	
JCP2002	3902	
JCP2002	3902/1	
JCP2002	3902/2	
JCP2002	4243	
JCP2006	3917	
JCP2006	3917/1	
JCP2047	3770	
JCP2047	3770/1	
JCP2388	3845	
JCP2388	3845/1	
JCP2404	3828	
JCP2404	3828/1	
JCP2404	3828/2	
JCP2404	3828/3	
JCP2760	3497	
JCP2760	3497/1	
JCP2760	3497/2	
JCP2760	3498	
JCP760	3497	
JCP760	3497/1	
JCP760	3497/2	
JCP760	3498	
JCP988	3664	
JCP988	3664/1	
JCP988	3664/3	
JCP988	3664/4	
JCP988	3664/5	
JCP988	3664/7	
JCP988	3664/8	
JCP988	3664/9	
JCP988	3664/A	
SYN3018K	4266	
SYN3074K	4290	









<b>MERCEDES BENZ</b>			
NO	NO		
4210710	3870/3		
4210810	3870/3		
4215010	3870/3		
4215110	3870/3		
14211710	3870/3		
24207820	3870/3		
24207920	3870/3		
44201320	3870/3		
54202320	3870/3		
84205820	3870/3		
84205920	3870/3		
000 421 08 10	3870/3		
000 421 50 10	3870/3		
000 421 51 10	3870/3		
002 420 78 20	3870/3		
004 420 13 20	3870/3		
<b>MERITOR</b>			
NO	NO		
MDP1047	3770		
MDP1047	3770/1		
MDP1279	3565		
MDP1279	3565/1		
MDP1279	3565/2		
MDP1279	3565/3		
MDP1279	3565/5		
MDP1279	3565/A		
MDP1329	3789		
MDP1329	3789/3		
MDP1367	4359		
MDP1373	3664		
MDP1373	3664/1		
MDP1373	3664/3		
MDP1373	3664/4		
MDP1373	3664/5		
MDP1373	3664/7		
MDP1373	3664/8		
MDP1373	3664/9		
MDP1373	3664/A		
MDP1388	3845		
MDP1388	3845/1		
MDP1389-1	3870		
MDP1389-1	3870/2		
MDP1389-2	3870		
MDP1389-2	3870/2		
MDP1404	3828		
MDP1404	3828/1		
MDP1404	3828/2		
MDP1404	3828/3		
MDP1406	3844		
MDP1624	4131		
MDP1624	4131/1		
MDP1677	3664/2		
MDP1678	3789/1		
MDP1678	3789/2		
MDP1678	3789/4		
MDP1775	3839		
MDP1775	3839/1		
MDP1775	3839/2		
MDP3011K	3525		


<b>MERITOR</b>			
NO	NO		
MDP3011K	3525/A		
MDP3017	3433/1		
MDP3024	3433		
MDP3030K	3497		
MDP3030K	3497/1		
MDP3030K	3497/2		
MDP3030K	3498		
MDP3087K	3664		
MDP3087K	3664/1		
MDP3087K	3664/3		
MDP3087K	3664/4		
MDP3087K	3664/5		
MDP3087K	3664/7		
MDP3087K	3664/8		
MDP3087K	3664/9		
MDP3087K	3664/A		
MDP3088	3565		
MDP3088	3565/1		
MDP3088	3565/2		
MDP3088	3565/3		
MDP3088	3565/5		
MDP3088	3565/A		
MDP3090K	3770		
MDP3090K	3770/1		
MDP3095K	3789		
MDP3095K	3789/3		
MDP3125K	3845		
MDP3125K	3845/1		
MDP3126K	3844		
MDP3131K	3828		
MDP3131K	3828/1		
MDP3131K	3828/2		
MDP3131K	3828/3		
MDP3141	3870		
MDP3141	3870/2		
MDP3142	3870		
MDP3142	3870/2		
MDP3143K	4359		
MDP3162	3839		
MDP3162	3839/1		
MDP3162	3839/2		
MDP3165K	3789/1		
MDP3165K	3789/2		
MDP3165K	3789/4		
MDP3167K	3664/2		
MDP3169K	4131		
MDP3169K	4131/1		
MDP3171K	3902		
MDP3171K	3902/1		
MDP3171K	3902/2		
MDP3171K	4243		
MDP3173K	4047		
MDP3173K	4047/1		
MDP3174K	3917		
MDP3174K	3917/1		
MDP376	3433/1		
MDP5000	3497		
MDP5000	3497/1		
MDP5000	3497/2		
MDP5000	3498		
MDP5017	3497		
MDP5017	3497/1		
MDP5017	3497/2		
MDP5017	3498		
MDP503	3433		
MDP5031	3497		


<b>MERITOR</b>			
NO	NO		
MDP5031	3497/1		
MDP5031	3497/2		
MDP5031	3498		
MDP5032	3497		
MDP5032	3497/1		
MDP5032	3497/2		
MDP5032	3498		
MDP5033	3497		
MDP5033	3497/1		
MDP5033	3497/2		
MDP5033	3498		
MDP5034	3497		
MDP5034	3497/1		
MDP5034	3497/2		
MDP5034	3498		
MDP5038	3497		
MDP5038	3497/1		
MDP5038	3497/2		
MDP5038	3498		
MDP5039	3497		
MDP5039	3497/1		
MDP5039	3497/2		
MDP5039	3498		
MDP5054	3497		
MDP5054	3497/1		
MDP5054	3497/2		
MDP5054	3498		
MDP5057	3845		
MDP5057	3845/1		
MDP5059	3828		
MDP5059	3828/1		
MDP5059	3828/2		
MDP5059	3828/3		
MDP5060	3828		
MDP5060	3828/1		
MDP5060	3828/2		
MDP5060	3828/3		
MDP5065	3497		
MDP5065	3497/1		
MDP5065	3497/2		
MDP5065	3498		
MDP5066	3497		
MDP5066	3497/1		
MDP5066	3497/2		
MDP5066	3498		
MDP5073	3828		
MDP5073	3828/1		
MDP5073	3828/2		
MDP5073	3828/3		
MDP5093	4131		
MDP5093	4131/1		
MDP5101	3917		
MDP5101	3917/1		
MDP5102	4047		
MDP5102	4047/1		
MDP5104	3917		
MDP5104	3917/1		
MDP760	3497		
MDP760	3497/1		
MDP760	3497/2		
MDP760	3498		
MDP773	3525		
MDP773	3525/A		
MDP9000	3664		
MDP9000	3664/1		
MDP9000	3664/3		
MDP9000	3664/4		
MDP9000	3664/5		


<b>MERITOR</b>			
NO	NO		
MDP9000	3664/7		
MDP9000	3664/8		
MDP9000	3664/9		
MDP9000	3664/A		
MDP9002	3789		
MDP9002	3789/3		
MDP9004	3664		
MDP9004	3664/1		
MDP9004	3664/3		
MDP9004	3664/4		
MDP9004	3664/5		
MDP9004	3664/7		
MDP9004	3664/8		
MDP9004	3664/9		
MDP9004	3664/A		
MDP9005	3664		
MDP9005	3664/1		
MDP9005	3664/3		
MDP9005	3664/4		
MDP9005	3664/5		
MDP9005	3664/7		
MDP9005	3664/8		
MDP9005	3664/9		
MDP9005	3664/A		
<b>MGA</b>			
NO	NO		
1129	4050		
1129	4050/1		
1129	4050/2		
1129	4050/3		
1129	4050/10		
1129	4050/A		


<b>NK</b>			
NO	NO	NO	NO
222346	3525		
222346	3525/A		
223936	3497		
223936	3497/1		
223936	3497/2		
223936	3498		
224016	3433		
229950	3433/1		
229987	3664		
229987	3664/1		
229987	3664/3		
229987	3664/4		
229987	3664/5		
229987	3664/7		
229987	3664/8		
229987	3664/9		
229987	3664/A		


<b>OE</b>			
NO	NO	NO	NO
17927	3664		
17927	3664/1		
17927	3664/2		
17927	3664/3		
17927	3664/4		
17927	4091/1		
17927	4091/A		
29173	4051/2		
29173	4051/3		
46222	3664/4		
46222	3664/5		
119523	3664/5		
119523	3664/7		
119523	3664/8		
204552	3664		
204552	3839		
204552	4047		
204552	4131		
204552	3664/1		
204552	3664/2		
204552	3664/3		
204552	3664/4		
204552	3664/5		
204552	3839/1		
204552	3839/2		
204552	4047/1		
204552	4091/1		
204552	4091/A		
204552	4131/1		
841738	3664/4		
841738	3664/5		
841738	3664/7		
906245	3789		
906245	4091/1		
928681	3664/8		
928681	3664/9		
928681	3664/A		
1008452	3664/9		
1008452	3664/A		
1078439	4051/10		
1078439	4051/3		
1078439	4051/A		
1087988	4091		
1087988	4091/1		
1100810	4091/1		
1105625	4091/A		
1161563	4091/A		
1178243	3908		
1178243	4359		
1178243	3908/1		
1178243	3908/A		
1182462	4091		
1182462	4359		
1182462	4091/1		
1182462	4091/A		
1182958	3664		
1182958	4091/A		
1195232	3664/1		
1195232	3664/2		
1195232	3664/3		
1195232	3664/4		
1195232	3664/5		
1195232	3664/7		
1195232	3664/8		
1195232	3664/9		
1195232	3664/A		
1390428	3565		
1390428	3789		
1390428	3565/1		
1390428	3565/2		
1390428	3565/3		


<b>OE</b>			
NO	NO	NO	NO
1390428	3565/5		
1390428	3565/A		
1390428	3789/3		
1433011	3664		
1433011	3664/1		
1433011	3664/2		
1433011	4091/1		
1433011	4091/A		
1436901	4091		
1436901	3664/3		
1436901	3664/4		
1436901	3664/5		
1436901	3664/7		
1436901	3664/8		
1436901	3664/9		
1436901	3664/A		
1436901	4091/1		
1436901	4091/A		
1439324	3664		
1439324	3828		
1439324	4362		
1439324	3664/1		
1439324	3664/2		
1439324	3828/1		
1439324	3828/2		
1439324	3828/3		
1439324	4091/A		
1440504	4091		
1440504	3664/2		
1440504	3664/3		
1440504	3664/4		
1440504	3664/5		
1440504	3664/7		
1440504	3664/8		
1440504	3664/9		
1440504	3664/A		
1440504	4091/1		
1502000	4091/1		
1502000	4091/A		
1502006	3565		
1502006	3565/1		
1502006	3565/2		
1502006	3565/3		
1502006	3565/5		
1502006	4091/A		
1503275	3789		
1503275	3565/A		
1505382	3664		
1505382	3664/1		
1505382	3664/2		
1505382	3664/3		
1505382	3664/4		
1505382	3664/5		
1505382	3789/3		
1517392	4091		
1517392	3664/5		
1517392	3664/7		
1517392	3664/8		
1517392	3664/9		
1517392	3664/A		
1517392	4091/1		
1518429	4091/1		
1519146	4169		
1519146	4091/A		
1521979	3908		
1525329	4169		
1525812	3845		
1525812	4169		
1526237	3770		
1526237	3845		
1526237	3845/1		


<b>OE</b>			
NO	NO	NO	NO
1526965	3770		
1527633	3908/1		
1534089	3770/1		
1617343	3497		
1617343	3664		
1617343	3770		
1617343	3845		
1617343	4362		
1617343	3497/1		
1617343	3497/2		
1617343	3664/1		
1617343	3664/2		
1617343	3664/3		
1617343	3664/4		
1617343	3664/5		
1617343	3664/7		
1617343	3664/8		
1617343	3664/9		
1617343	3664/A		
1617343	3770/1		
1617343	3845/1		
1628064	3789		
1628064	4362		
1628064	3789/3		
1734529	3565		
1734529	3565/1		
1734529	3565/2		
1734529	3565/3		
1734529	3908/A		
1797053	3664		
1797053	3789		
1797053	3908		
1797053	3664/1		
1797053	3664/2		
1797053	3664/3		
1797053	3664/4		
1797053	3789/3		
1797053	3908/1		
1797053	3908/A		
1800830	3664/5		
1800830	3664/7		
1800830	3664/8		
1856108	3565		
1856108	3565/1		
1856108	3565/2		
1856108	3565/3		
1856108	3565/5		
1856108	3565/A		
1878030	3664		
1878030	3664/1		
1878030	3664/2		
1878030	3664/3		
1878030	3664/4		
1878030	3664/5		
1878030	3664/7		
1878030	3664/9		
1878030	3664/A		
1890861	3565		
1890861	3908		
1890861	3565/1		
1890861	3565/2		
1890861	3565/3		
1890861	3565/5		
1890861	3565/A		
1890861	3908/1		
1890861	3908/A		
1903486	4362		
1903486	4091/A		
1906043	3664		
1906043	3664/1		
1906043	3664/2		


OE	
NO	NO
1906070	3664/3
1906070	3664/4
1906146	3664/5
1906191	3664/7
1906191	3664/8
1906191	3664/9
1906191	3664/A
1906297	4091
1906298	4091/1
1906344	4091/1
1906344	4091/A
1906345	3497
1906345	3497/1
1906345	3497/2
1906345	4091/A
1906416	3789
1906416	4362
1906439	3664
1906439	3789
1906439	3845
1906439	3664/1
1906439	3664/2
1906439	3664/3
1906439	3664/4
1906439	3664/5
1906439	3789/3
1906439	3845/1
1906459	3664/7
1906459	3664/8
1906459	3664/9
1906459	3664/A
1906467	3664
1906467	3789
1906467	3908
1906467	4091
1906467	4362
1906467	3664/1
1906467	3664/2
1906467	3664/3
1906467	3664/4
1906467	3664/5
1906467	3664/7
1906467	3664/A
1906467	3664/8
1906467	3664/9
1906467	3664/A
1906467	3664/8
1906467	3789/1
1906467	3789/2
1906467	3789/3
1906467	3789/4
1906467	3908/1
1906467	3908/A
1962439	4091
1962439	3664/8
1962439	3664/9
1962439	3664/A
1982826	4362
1982826	4091/1
1982826	4091/A
2012160	4091
2012160	4362
2012160	4091/1
2012161	3789
2012161	4091/1
2012161	4091/A
2114543	3565/2
2114543	3565/5
2127745	3908
2127745	3565/A


OE	
NO	NO
2127745	3908/1
2272502	3908
2272502	3908/1
2272502	3908/A
2272503	3789
2272503	3908/A
2325212	3565
2325212	3789
2325212	3908
2325212	3565/1
2325212	3565/2
2325212	3565/3
2325212	3565/5
2325212	3565/A
2325212	3789/3
2325212	3908/1
2325212	3908/A
2424920	3664/5
2920101	3565
2920101	3789
2920101	4091
2920101	3565/1
2920101	3565/2
2920101	3565/3
2920101	3565/5
2920101	3565/A
2920101	3789/3
2992336	4091
2992336	4091/1
2992336	4091/A
2992348	4091/A
2992476	3664
2992476	4362
2992476	3664/1
2992476	3664/2
2992476	3664/3
2992476	3664/4
2992476	3664/5
2992476	3664/7
2992476	3664/8
2992476	3664/9
2992476	3664/A
2992476	4091/A
2992479	3664/8
2992479	3664/9
2992479	3664/A
2995637	4091
2995637	4362
2995637	3664/A
2995637	4091/1
2995637	4091/A
2995809	3908
2995809	3908/1
2995809	3908/A
2995819	3664
2995819	3789
2995819	4091
2995819	4362
2995819	3664/1
2995819	3664/2
2995819	3664/3
2995819	3664/4
2995819	3664/5
2995819	3664/7
2995819	3664/8
2995819	3664/9
2995819	3664/A
2995819	3789/3


OE	
NO	NO
2995819	3908/1
2995819	3908/A
2995819	4091/1
2995819	4091/A
2996065	3664/1
2996065	3664/2
2996065	3664/3
2996065	3664/4
2996065	3664/5
2996065	3664/7
2996065	3664/8
2996065	3664/9
2996065	3664/A
2996068	3664/8
2996068	3664/9
2996068	3664/A
2996378	4091
2996378	4169
2996378	3664/A
2996378	4091/1
2996378	4091/A
2996430	3789
2996430	4091
2996430	4091/1
2996430	4091/A
2996468	3664
2996468	4091
2996468	3664/1
2996468	3789/3
2996468	4091/1
2996468	4091/A
2996515	3664
2996515	4091
2996515	4362
2996515	3664/1
2996515	3664/2
2996515	3664/3
2996515	3664/4
2996515	3664/5
2996515	3664/7
2996515	3664/8
2996515	3664/9
2996515	3664/A
2996515	4091/1
2996515	4091/A
2996518	3664/7
2996518	3664/8
2996518	3664/9
2996520	4091
2996520	3664/A
3093596	4091
3093596	4051/A
3093596	4091/1
3093596	4091/A
3093919	4091
3093919	4091/1
3093939	4091/A
3095396	3664
3095396	4362
3095396	3664/1
3095396	3664/2
3095396	3664/3
3095396	3664/4
3645314	4091
4210510	4050
4210510	4051
4210510	3664/7
4210510	3664/8
4210510	3664/9

OE	
NO	NO
4210510	3664/A
4210510	4050/1
4210510	4050/10
4210510	4050/2
4210510	4050/3
4210510	4050/A
4210710	4051/1
4210710	4051/2
4210710	4051/3
4210810	3664
4210810	4051/10
4210810	4051/A
4211010	3664
4211010	3664/1
4211110	3664/1
4211110	3664/2
4211210	3664/2
4211210	3664/3
4211810	3664/3
4211810	3664/4
4211810	3664/5
4211810	3664/7
4214310	3789
4214310	3908
4214310	3908
4214310	4091
4214310	3664/8
4214310	3664/9
4214310	3664/A
4214310	3789/3
4214310	3908/1
4214310	3908/1
4214310	3908/A
4214310	4091/1
4215010	3908
4215010	3908/1
4215010	3908/A
4215110	3664
4215110	3664/1
4215110	3664/2
4215110	3908/A
4236610	3664
4236610	3664/3
4236610	3664/4
4236610	3664/5
4236610	3664/7
4236610	3664/8
4236610	3664/9
4236610	3664/A
6204677	4091
6597421	3789
6597421	3908
6597421	3789/3
6597421	3908/A
8550611	4091
8550611	3664/5
8550611	3664/7
8550611	3664/8
8550611	3664/9
8550611	3664/A
9291024	3565
9291024	3565/1
9291024	3565/2
9291024	3565/3
9291024	3565/5
9291024	4091/1
9291024	4091/A
9291042	4047
9291042	4047/1
9291063	3498
9291063	3664


OE	
NO	NO
9291063	3565/A
9291072	3770
9291072	3845
9291072	3770/1
9291072	3845/1
9291072	4047/1
9317202	3845
9317202	3845/1
11022968	4050/10
11022968	4050/3
11022968	4050/A
14201520	3664/1
14201520	3664/2
14210410	3664/2
14210410	3664/3
14210510	3664/3
14210510	3664/4
14210610	3664/4
14210610	3664/5
14211710	3664/5
14212510	3664/7
14212610	3664/8
14215210	3664/9
20190319	4091
20311500	4164
20311600	3497
20311600	3497/1
20312500	3845
20312500	4243
20312500	3497/2
20312500	3845/1
20526568	4091
20526568	4091/1
20526568	4091/A
20535922	4091
20535922	4091/A
20560412	4091
20560412	4091/1
20560412	4091/A
20560414	4362
20560414	4091/A
20568711	4050
20568711	4051
20568711	4050/1
20568711	4050/10
20568711	4050/2
20568711	4050/3
20568711	4050/A
20568712	4051/1
20568712	4051/10
20568712	4051/2
20568712	4051/3
20568714	4050
20568714	4050/1
20568714	4050/10
20568714	4050/2
20568714	4050/3
20568714	4051/10
20568714	4051/A
20568715	4051
20568715	4050/A
20568715	4051/1
20568715	4051/2
20768092	4051/10
20768092	4051/2
20768092	4051/3
20768092	4051/A
20825594	4266
20825594	4051/A
20850194	3908
20850194	3908/1


OE	
NO	NO
20918891	3908
20918891	4091
20918891	3908/1
20918891	3908/A
20918891	4091/1
20931343	4266
20931343	4322
20931343	4091/1
20931343	4091/A
20932682	4322
21024701	4091
21024702	4091
21024702	4091/1
21024702	4091/A
21088907	3433/1
21309468	3433/1
21352570	3433
21352570	4091
21352570	3433/1
21352570	3789/1
21352570	3789/2
21352570	3789/4
21352570	4091/1
21352570	4091/A
21352573	4091
21352573	3789/4
21352573	4091/1
21352573	4091/A
21399915	3917
21399915	4091/A
21488185	3664
21488185	3917
21488185	3917/1
21488185	3917/3
21488186	3664
21488186	3664/1
21488186	3664/2
21496550	3664/2
21496550	3664/3
21496550	3664/4
21496550	3664/5
21496550	3664/7
21496550	3664/8
21496550	3664/9
21496551	3789
21496551	3664/9
21496551	3664/A
21496556	3789/3
21538279	3789
21538279	3789/3
23149531	3789
23149532	4359
23149532	3789/3
24202010	3664/9
24202210	3664/9
24202220	4091
24202220	3664/A
24202220	4091/1
24202220	4091/A
24204920	3664
24204920	3789
24204920	3908
24204920	3664/1
24204920	3664/2
24204920	3664/3


OE	
NO	NO
24204920	3664/4
24204920	3664/5
24204920	3664/7
24204920	3664/8
24204920	3664/9
24204920	3664/A
24204920	3789/3
24204920	3908/1
24204920	3908/A
24204920	4091/1
24204920	4091/A
24204970	3497
24204970	3908
24204970	4266
24204970	3497/1
24204970	3497/2
24204970	3908/1
24204970	3908/A
24205520	3497/2
24205720	3498
24205720	3664
24205720	3664/1
24206220	3664/1
24206220	3664/2
24206220	3664/3
24207720	3664/3
24207820	3664/4
24207820	3664/5
24207820	3664/7
24207920	3664/8
27068092	4359
30900484	3664
30900484	4359
34201020	3664
34201020	3664/1
34201020	3664/9
34201020	3664/A
34201120	3664/1
34201120	3664/2
34201120	3664/3
34201220	3664/3
34201220	3664/4
34201520	3664/4
34201520	3664/5
34201620	3497
34201620	3669
34201620	3664/5
34201620	3664/7
34201620	3664/8
34201620	3664/9
34201620	3664/A
34202020	3497
34202020	3497/1
34202020	3497/2
34202220	3498
34202220	3664
34202220	3789
34202220	3497/2
34202220	3664/1
34202220	3664/2
34202220	3664/3
34202220	3664/4
34202220	3664/5
34202220	3664/7
34202220	3664/8
34202220	3664/9
34202220	3664/A
34202220	3789/3
34203520	3664/5
34203520	3664/7
34203520	3664/8


OE	
NO	NO
34203520	3664/9
34203520	4091/A
34204420	3908
34204420	3664/9
34204420	3664/A
34206620	3908
34206620	3908/1
34206620	3908/A
34207220	3664
34207220	3908/1
34207220	3908/A
34207320	3664/1
34207320	3664/2
34207320	3664/3
34207720	3664/4
34207720	3664/5
41142152	4051/1
41142152	4051/2
41211278	3789
41211278	3908
41211278	4091
41211278	4243
41211278	4362
41211278	3789/3
41211278	3908/1
41211278	3908/A
41211278	4091/1
41211278	4091/A
41211279	3664
41211279	4091
41211279	3664/1
41211279	3664/2
41211279	3664/3
41211279	3664/4
41211279	3664/5
41211279	3664/7
41211279	3664/8
41211279	3664/9
41211279	3664/A
41211279	4091/1
41211279	4091/A
42541062	4091
42541062	4091/1
42541062	4091/A
42555669	4091
42555669	4091/1
42559249	4091/1
42567702	4091/1
42567702	4091/A
42568632	4050
42568632	4091/A
44201320	3664/7
44202220	3664
44202220	3664/1
44202220	3664/2
44202220	3664/3
44202220	3664/4
44202220	3664/5
44202220	3664/5
44202220	3664/7
44202220	3664/8
44202220	3664/A
44204820	3664/7
44204820	3664/8
44206020	3664
44206020	3664/1
44206020	3664/2
44206020	3664/3
44206020	3664/4
44206020	3664/5




OE	
NO	NO
44206020	3664/8
44206020	3664/9
44206020	3664/A
44206120	3664/5
44206120	3664/7
44207020	3664/7
54202320	3664/8
64201020	3908
64201020	4091
64201020	4091
64201020	4362
64201020	3664/8
64201020	3664/9
64201020	3664/A
64201020	3908/1
64201020	3908/A
64201020	4091/1
64201020	4091/1
64201020	4091/A
64201120	3664
64201120	3664/1
64201120	3664/2
64201120	3664/3
64201120	4091/1
64201120	4091/A
64201420	3664/4
64201420	3664/5
64201420	3664/7
64201420	3664/8
64201420	3664/9
64201420	3664/A
64201520	3664
64201520	3664/1
64201520	3664/2
64201520	3664/3
64201520	3664/4
64201520	3664/5
64201520	3664/7
64201520	3664/8
64201520	3664/9
64205220	3497
64205220	4091
64205220	3497/1
64205220	3664/A
64205220	4091/1
64205220	4091/A
64205320	3498
64205320	3908
64205320	3497/1
64205320	3497/2
64205320	3908/1
64205320	3908/A
68310622	4050
68310622	4050/1
68320902	4050/2
68320902	4050/3
68321585	3664/3
68324665	3664/5
68325011	3917/1
68325128	3917/1
68326055	3664/7
69030060	4091
69030060	4091/1
82134000	4091
82134000	3664/1
82134000	3664/2
82134000	3664/3
82134000	3664/4
82134000	3664/5
82134000	3664/7
82134000	3664/8


OE	
NO	NO
82134000	3664/9
82134000	3664/A
82135100	3664
82135100	3789
82135100	3664/1
82135100	3664/2
82135100	3664/3
82135100	3664/4
82135100	3664/5
82135100	3789/3
82135100	4091/1
82135100	4091/A
84205820	3908/1
84205820	3908/A
84205920	3908
84205920	3908/A
84206020	3789
84206020	3908
84206020	3908/1
84206020	3908/A
84206320	3789/3
84206420	3664
84206420	3789/3
84206520	3664/1
84206520	3664/2
84206520	3664/3
84206620	3664/4
84206620	3664/5
84206620	3664/7
85105485	3664/1
85105485	3664/2
85105485	3664/3
85105485	3664/4
85107768	3664/5
85107768	3664/7
85107768	3664/8
85107768	3664/9
85506111	4091
85506111	3664/A
203121400	3789
203121400	3844
203121400	4243
203121400	3789/3
203121400	3844/1
203121400	3845/1
203121500	4243
203121500	4302
203121600	4091
203121600	4302
203121700	3789
203121700	3839
203121700	3789/3
203121700	4091/1
203121700	4091/A
209313430	4091/1
209313430	4091/A
233501309	3664/5
233501309	3664/7
500024112	4051
500024112	4050/10
500024112	4050/3
500024112	4050/A
500024112	4051/1
500024112	4051/2
500054632	4050
500054632	4051/10
500054632	4051/2
500054632	4051/3
500054632	4051/A
500055167	4050


OE	
NO	NO
500055167	4050/1
500055167	4050/10
500055167	4050/2
500055167	4050/3
500055372	4051
500055372	4050/A
500055372	4051/1
500086004	4051/1
500086004	4051/2
500182355	3664/4
503136113	4051/2
503136113	4051/3
503140089	3497
503140089	3497/1
503140089	3497/2
503140089	4051/10
503140089	4051/3
503140089	4051/A
503142454	3837
503142454	4131
503142454	3497/2
503142454	4131/1
503467079	3498
503467079	4164
509290040	3664
509290040	3839
509290040	3839/1
509290040	3839/2
509290050	3664/1
509290050	3664/2
509290050	3664/3
509290050	3664/4
509290050	3664/5
509290050	3664/7
509290060	3664
509290060	4362
509290060	3664/1
509290060	3664/2
509290060	3664/3
509290060	3664/4
509290060	3664/8
509290060	3664/9
509290060	3664/A
509290080	3565
509290080	3565/1
509290080	3664/5
509290080	3664/7
509290080	3664/8
509290080	3664/9
509290080	3664/A
509290100	3565/1
509290100	3565/2
509290120	3565/2
509290120	3565/3
509290130	3565/2
509290130	3565/3
509290130	3565/3
509290131	3565/2
509290151	3565/2
509290220	3565/5
509290230	3565/A
509290331	3664
536270010	3664/1
536270010	3664/2
536270010	3664/3
536270010	3664/4
536270010	3664/5
536270010	3664/7
536270010	3664/8
536270010	3664/9
536270010	3664/A
536270020	4091


OE	
NO	NO
536270020	4362
536270020	4091/1
536270020	4091/A
570528408	4091
570528408	4091/1
870215084	4050
870215084	4050/1
870215084	4050/2
900061790	3870
980102200	3870
980102200	3870/1
980102570	3870/1
980102750	3870/1
980102750	3870/2
980102750	3870/3
980102920	3497
980102920	3870/3
980102930	3565
980102930	3497/1
980102930	3497/2
980102930	3565/1
980102930	3565/2
980102930	3565/3
980102930	3565/5
980106200	3870
980106200	3565/A
980106200	3870/1
980106200	3870/2
980106210	3565
980106210	3565/1
980106210	3565/2
980106210	3565/3
980106210	3870/3
980106350	3565/2
980106350	3565/3
980106350	3565/5
980106350	3565/A
980106360	3565
980106360	3565/1
980106360	3565/A
980106430	3565/1
980106430	3565/2
980106430	3565/3
980106440	3497
980106440	3565
980106440	3497/1
980106440	3497/2
980106440	3565/2
980106440	3565/5
980106440	3565/A
980106950	3565/1
980106950	3565/2
980106950	3565/3
980106950	3565/5
980106950	3565/A
980107070	4047
980107070	4362
980107070	4047/1
980107090	3870
980107090	4047
980107090	3870/1
980107090	3870/2
980107090	3870/3
980107090	4047/1
980107240	3497
980107240	3870
980107240	4362
980107240	3497/1
980107240	3497/2
980107240	3870/1
980107260	3664




OE	
NO	NO
980107260	3664/1
980107260	3870/2
980107260	3870/3
980107280	3664/2
980107280	3664/3
980107550	3664/3
980107550	3664/4
980107570	3664/5
980107570	3664/7
980107940	3664/7
980107940	3664/8
980107940	3664/9
980107960	4091
980107960	3664/9
980107960	3664/A
980107960	4091/1
980107971	3844
980107971	4362
980107971	4091/A
980108150	3844
980108150	3844/1
980108151	4091
980108151	3844/1
980108151	4091/1
980108160	3664
980108160	3664/1
980108160	4091/1
980108160	4091/A
980108161	3664/2
980108161	3664/3
980108161	3664/4
2420222010	3664/8
3057007700	3664
3057007700	3664/1
3057007700	3664/7
3057007700	3664/8
3057007700	3664/9
3057007700	3664/A
3057007800	3664/2
3057007800	3664/3
3057007801	3664/4
3057007900	3664/4
3057008000	3664/5
3057008000	3664/7
3057008000	3664/8
3057008001	3664/8
3057008001	3664/9
3057008400	3664
3057008400	3664/1
3057008400	3664/2
3057008400	3664/3
3057008400	3664/4
3057008400	3664/5
3057008400	3664/7
3057008400	3664/9
3057008400	3664/A
3057008401	3664/8
3057008401	3664/9
3057008401	3664/A
3057008500	3565
3057008500	3565/1
3057009600	3565/2
3057009600	3565/3
3057009601	3498
3057009601	3828
3057009601	3908
3057009601	3565/5
3057009601	3565/A
3057009601	3828/1
3057009601	3908/1
3057009601	3908/A


OE	
NO	NO
3057317900	3828/1
3057317900	3828/2
4054200020	3664/9
4054200020	3664/A
4054200220	4091
4057427700	3828
4057427700	3828/1
4057427700	3828/2
4057427700	3828/3
4057427800	3664
4057427800	3908
4057427800	3908/1
4057427800	3908/A
4057439600	3664/1
4057439600	3664/2
4057439600	3664/3
4057439600	3664/4
4057439600	3664/5
4057439600	3664/7
4057439600	3664/8
5000814345	3664/4
5001014704	3664/5
5001020306	3664
5001020306	3837
5001020307	3664
5001020307	3664/1
5001020312	4091
5001020312	3664/2
5001020312	3664/3
5001020312	3664/7
5001020312	3664/8
5001020312	3664/A
5001822987	3664/4
5001822987	3664/5
5001823000	3664/8
5001823557	3664/8
5001825339	3664/9
5001825639	3664/9
5001831161	4091
5001831161	3664/A
5001833104	4091
5001833114	4091
5001833114	4091/1
5001833124	4091/A
5001834075	4091/A
5001846034	3664
5001846034	3664/1
5001846034	3664/2
5001846034	3664/4
5001846034	3664/5
5001846034	3664/7
5001846034	4091/A
5001848363	3664/8
5001848363	3664/9
5001848363	3664/A
5001854341	3789
5001854341	3664/5
5001854341	3664/7
5001854342	3789
5001854342	3664/8
5001854342	3664/9
5001855646	3497
5001855646	3707
5001855646	3497/1
5001855646	3497/2
5001855646	3789/3
5001855656	3498
5001855656	3707
5001855656	3770
5001855656	3497/2


OE	
NO	NO
5001857615	3770
5001857615	3770/1
5001863324	3497
5001863904	3497
5001863904	3497/1
5001864363	3497
5001864363	3498
5001864363	3565
5001864363	3770
5001864363	3870
5001864363	3497/1
5001864363	3497/2
5001864363	3770/1
5001864363	3870/1
5001864363	3870/2
5001864363	3870/3
5001864364	3707
5001864364	4091
5001864364	3565/1
5001864364	3565/2
5001864364	3565/3
5001864364	3565/5
5001864364	3565/A
5001864364	4091/1
5001864364	4091/A
5001864365	3770
5001864365	3770/1
5001865750	3828
5001865750	3770/1
5001866951	3828
5001866951	3917
5001866951	3828/1
5001866951	3828/2
5001866951	3828/3
5001873218	3917/1
5006028410	3664
5006028410	4362
5006028410	3664/1
5006028410	3664/9
5006028410	3664/A
5006028410	4091/1
5006028410	4091/A
5010848607	3917
5010848607	4047
5010848607	3917/1
5010848607	3917/3
5317002300	3664
5317002300	3664/1
5317002300	3664/9
5317002300	3664/A
5317002400	3664/1
5317002400	3664/2
6694200020	4091
6694200020	4091/1
6694200120	4091/1
6694200120	4091/A
6694201520	4091/A
6704202820	3664
6704202820	3664/1
6884203020	3664/2
6934200120	3664/2
6934200120	3664/3
6934200120	3664/4
6934200120	3664/5
6934200120	3664/7
7421399915	3565
7421399915	3565/1
7421399915	3565/2
7421399915	3565/3


OE	
NO	NO
7421399915	3565/5
7421399915	3565/A
7421399915	4047/1
7421399929	3565
7421399929	3664
7421399929	3789
7421399929	3844
7421399929	3565/1
7421399929	3565/2
7421399929	3565/3
7421399929	3565/5
7421399929	3565/A
7421399929	3664/1
7421399929	3664/2
7421399929	3664/3
7421399929	3664/4
7421399929	3789/3
7421493598	3664
7421493598	3664/1
7421493598	3664/5
7421493598	3664/7
7421493598	3664/8
7421493598	3664/9
7421493598	3664/A
7421496555	3497
7421496555	3828
7421496555	4091
7421496555	3497/1
7421496555	3497/2
7421496555	3828/1
7421496555	3828/2
7421496555	3828/3
7421496555	3844/1
7421496555	4091/1
7421496555	4091/A
7421496556	3565
7421496556	3565/1
7421496556	3565/2
7421496556	3565/3
7421496556	3565/5
7421538270	3565/A
7421538270	3664/2
7422921057	3870
7422921057	4290
7422921057	3870/1
7422921057	3870/2
7422921057	3870/3
7422921058	3870/1
7422921064	3565
7422921064	3565/1
7422921064	3565/2
7422921064	3565/3
7422921064	3870/2
7422921064	3870/3
7422921065	3664
7422921065	3565/2
7422921065	3565/5
7422921065	3565/A
7485137861	3664/3
7485137861	3664/4
7485137861	3664/5
7485137861	3664/7
7485137861	3664/8
7485137861	3664/9
7485137861	3664/A
8001863904	3664
8001863904	3664/1
8001863904	3664/2
8001863904	3664/3





<b>OE</b>	
<b>NO</b>	<b>NO</b>
000 421 18 10	4051/2
000 421 18 10	4051/3
000 421 43 10	3498
000 421 43 10	3565
000 421 43 10	3789
000 421 43 10	3908
000 421 43 10	4091
000 421 43 10	4091
000 421 43 10	4266
000 421 43 10	3565/1
000 421 43 10	3565/2
000 421 43 10	3565/3
000 421 43 10	3565/5
000 421 43 10	3565/A
000 421 43 10	3789/3
000 421 43 10	3908/1
000 421 43 10	3908/A
000 421 43 10	4051/10
000 421 43 10	4051/A
000 421 43 10	4091/1
000 421 43 10	4091/1
000 421 43 10	4091/A
000 421 43 10	4091/A
000 421 50 10	4091/1
000 421 50 10	4091/A
000 421 51 10	3789
000 421 51 10	3789/3
000 421 51 10	4091/A
000 423 66 10	4091
000 423 66 10	3789/3
000 423 66 10	4091/1
000 423 66 10	4091/A
001 421 05 10	3902
001 421 05 10	3902/1
001 421 06 10	3902/1
001 421 06 10	3902/2
001 421 25 10	3902
001 421 25 10	3902/1
001 421 26 10	3902/1
001 421 26 10	3902/2
001 421 52 10	4052
001 421 57 10	4053
002 420 08 20	3664
002 420 08 20	4091
002 420 08 20	3664/1
002 420 08 20	3664/2
002 420 08 20	3664/3
002 420 08 20	4091/1
002 420 08 20	4091/A
002 420 22 20 10	4091
002 420 22 20 10	3664/3
002 420 22 20 10	3664/4
002 420 22 20 10	3664/5
002 420 22 20 10	3664/7
002 420 22 20 10	3664/8
002 420 22 20 10	3664/9
002 420 22 20 10	3664/A
002 420 22 20 10	4091/1
002 420 22 20 10	4091/A
002 420 49 20	3664
002 420 49 20	3789
002 420 49 20	3837
002 420 49 20	3664/1
002 420 49 20	3664/2
002 420 49 20	3664/3
002 420 49 20	3664/4
002 420 49 20	3664/5
002 420 49 20	3664/7
002 420 49 20	3664/8
002 420 49 20	3664/9
002 420 49 20	3664/A


<b>OE</b>	
<b>NO</b>	<b>NO</b>
002 420 49 20	3789/3
002 420 49 20	4091/A
002 420 55 20	3664
002 420 55 20	4052
002 420 55 20	4091
002 420 55 20	3664/1
002 420 55 20	3664/2
002 420 55 20	3664/3
002 420 55 20	3789/3
002 420 55 20	4091/1
002 420 55 20	4091/A
002 420 70 20	3664/4
002 420 70 20	3664/5
002 420 70 20	3664/7
002 420 70 20	3664/8
002 420 70 20	3664/9
002 420 78 20	4091
002 420 78 20	3664/A
003 420 10 20	3664
003 420 10 20	4091
003 420 10 20	3664/1
003 420 10 20	3664/2
003 420 10 20	3664/3
003 420 10 20	3664/4
003 420 10 20	3664/5
003 420 10 20	3664/7
003 420 10 20	3664/8
003 420 10 20	3664/9
003 420 10 20	3664/A
003 420 10 20	4091/1
003 420 10 20	4091/A
003 420 11 20	3664
003 420 11 20	3664/1
003 420 11 20	3664/2
003 420 12 20	3664/3
003 420 12 20	3664/4
003 420 12 20	3664/5
003 420 16 20	3664
003 420 16 20	4091
003 420 16 20	3664/1
003 420 16 20	3664/2
003 420 16 20	3664/3
003 420 16 20	3664/4
003 420 16 20	3664/7
003 420 16 20	3664/8
003 420 16 20	3664/9
003 420 16 20	3664/A
003 420 16 20	4091/1
003 420 16 20	4091/A
003 420 20 20	3664
003 420 20 20	3902
003 420 20 20	4091
003 420 20 20	3664/1
003 420 20 20	3664/2
003 420 20 20	3664/3
003 420 20 20	3664/4
003 420 20 20	3664/5
003 420 20 20	3664/7
003 420 20 20	3664/8
003 420 20 20	3664/9
003 420 20 20	3664/A
003 420 20 20	3902/1
003 420 20 20	3902/2
003 420 20 20	4091/1
003 420 20 20	4091/A
003 420 22 20	3664
003 420 22 20	3902
003 420 22 20	3664/1
003 420 22 20	3664/2
003 420 22 20	3664/3
003 420 22 20	3664/4
003 420 22 20	3664/9
003 420 22 20	3664/A
003 420 22 20	3664/2
003 420 22 20	3664/3
003 420 22 20	3664/4
003 420 22 20	3664/9
003 420 22 20	3664/A
003 420 22 20	3664
003 420 22 20	3664/1


<b>OE</b>	
<b>NO</b>	<b>NO</b>
003 420 22 20	3664/5
003 420 22 20	3664/7
003 420 22 20	3664/8
003 420 22 20	3664/9
003 420 22 20	3664/A
003 420 22 20	3902/1
003 420 22 20	3902/2
003 420 2220	3908
003 420 2220	3664/8
003 420 2220	3664/9
003 420 2220	3664/A
003 420 2220	3908/1
003 420 2220	3908/A
003 420 32 20	3902
003 420 32 20	4052
003 420 32 20	4053
003 420 32 20	3902/1
003 420 32 20	3902/2
003 420 35 20	3664
003 420 35 20	3789
003 420 35 20	4362
003 420 35 20	3664/1
003 420 35 20	3664/2
003 420 35 20	3664/3
003 420 35 20	3664/4
003 420 35 20	3664/5
003 420 35 20	3664/7
003 420 35 20	3664/8
003 420 35 20	3664/9
003 420 35 20	3789/3
003 420 35 20	3902/1
003 420 35 20	3902/2
003 420 35 20	4091/A
003 420 55 20	3664
003 420 55 20	4091
003 420 55 20	3664/1
003 420 55 20	3664/2
003 420 55 20	3664/3
003 420 55 20	3664/4
003 420 55 20	3664/5
003 420 55 20	3664/7
003 420 55 20	3664/8
003 420 55 20	3664/9
003 420 55 20	4091/1
003 420 55 20	4091/A
003 420 66 20	4091
003 420 66 20	3664/7
003 420 66 20	3664/8
003 420 66 20	3664/9
003 420 66 20	3664/A
003 420 66 20	4091/1
003 420 72 20	4091
003 420 72 20	4091/1
003 420 72 20	4091/A
003 420 73 20	3664
003 420 73 20	3664/1
003 420 73 20	4091/A
003 420 77 20	3664/1
003 420 77 20	3664/2
004 420 13 20	3664/2
004 420 13 20	3664/3
004 420 22 20	3664
004 420 22 20	3664/1
004 420 22 20	3664/3
004 420 22 20	3664/4
004 420 22 20	3664/5
004 420 22 20	3664/7
004 420 22 20	3664/8
004 420 22 20	3664/9
004 420 22 20	3664/A
004 420 48 20	3664/1
004 420 48 20	3664/2
004 420 60 20	3664
004 420 60 20	3664/1


<b>OE</b>	
<b>NO</b>	<b>NO</b>
004 420 60 20	3664/2
004 420 60 20	3664/3
004 420 60 20	3664/4
004 420 60 20	3664/5
004 420 60 20	3664/7
004 420 60 20	3664/8
004 420 60 20	3664/9
004 420 60 20	3664/A
004 420 61 20	3664
004 420 61 20	3664/1
004 420 61 20	3664/2
004 420 61 20	3664/8
004 420 61 20	3664/9
004 420 61 20	3664/A
004 420 70 20	3664/3
004 420 70 20	3664/4
006 420 10 20	3565
006 420 10 20	3664
006 420 10 20	4091
006 420 10 20	3565/1
006 420 10 20	3565/2
006 420 10 20	3565/3
006 420 10 20	3565/5
006 420 10 20	3565/A
006 420 10 20	3664/1
006 420 10 20	3664/2
006 420 10 20	3664/3
006 420 10 20	3664/4
006 420 10 20	3664/5
006 420 10 20	3664/7
006 420 10 20	3664/8
006 420 10 20	3664/9
006 420 10 20	3664/A
006 420 10 20	4091/1
006 420 10 20	4091/A
006 420 11 20	3497
006 420 11 20	3565
006 420 11 20	3497/1
006 420 11 20	3497/2
006 420 11 20	3565/1
006 420 11 20	3565/2
006 420 11 20	3565/3
006 420 11 20	3565/5
006 420 11 20	3664/8
006 420 11 20	3664/9
006 420 11 20	3664/A
006 420 14 20	3870
006 420 14 20	3565/A
006 420 14 20	3870/1
006 420 14 20	3870/2
006 420 14 20	3870/3
006 420 15 20	3828
006 420 15 20	3870
006 420 15 20	3828/1
006 420 15 20	3828/2
006 420 15 20	3828/3
006 420 15 20	3870/1
006 420 15 20	3870/2
006 420 15 20	3870/3
006 420 52 20	3870
006 420 52 20	3870/1
006 420 52 20	3870/2
006 420 52 20	3870/3
006 420 53 20	3664
006 420 53 20	3870
006 420 53 20	3664/1
006 420 53 20	3664/2
006 420 53 20	3664/3
006 420 53 20	3664/4
006 420 53 20	3664/5
006 420 53 20	3664/7


	
OE	NO
006 420 53 20	3870/1
006 420 53 20	3870/2
006 420 53 20	3870/3
008 420 60 20	3664/8
008 420 60 20	3664/9
008 420 60 20	3664/A
008 420 63 20	3844
008 420 64 20	3844/1
008 420 65 20	4091
008 420 66 20	4091/1
0190 6467	3917
0190 6467	3789/4
0190 6467	3917/1
0190 6467	3917/3
02 0312 15 00	3664/5
02 0312 15 00	3664/7
02 0312 15 00	3664/8
02 0312 15 00	3664/9
02 0312 16 00	4091
02 0312 16 00	3664/A
02.0312.14.00	4091
02.0312.14.00	4091/1
02.0312.14.00	4091/A
02.0312.15.00	4091
02.0312.16.00	4091
02.0312.16.00	4091/1
02.0312.17.00	4091
02.0312.17.00	4362
02.0312.17.00	4091/1
02.0312.17.00	4091/A
05.092.90.06.0	4091/1
05.092.90.06.0	4091/A
05.092.90.08.0	3664
05.092.90.08.0	3664/1
05.092.90.08.0	3664/2
05.092.90.08.0	3664/3
05.092.90.08.0	3664/4
05.092.90.08.0	3664/5
05.092.90.12.0	3664/7
05.092.90.13.0	3664/8
05.362.70.01.0	3433
05.362.70.01.0	3433/1
05.362.70.01.0	3664/9
05.362.70.01.0	3664/A
05.362.70.02.0	3433
05.362.70.02.0	3525
05.362.70.02.0	3664
05.362.70.02.0	3433/1
05.362.70.02.0	3525/A
06903006-0	4091/1
0821.340.00	3770
0821.340.00	3789
0821.340.00	3839
0821.340.00	3844
0821.340.00	4243
0821.340.00	4359
0821.340.00	3770/1
0821.340.00	3789/3
0821.340.00	3839/1
0821.340.00	3839/2
0821.340.00	3844/1
0821.351.00	3770
0821.351.00	3845
0821.351.00	4091
0821.351.00	3770/1
0821.351.00	3845/1


	
OE	NO
09 801 02 75 0	3664/1
09 801 02 75 0	3664/2
09 801 02 75 0	3664/3
09 801 02 75 0	3664/4
09 801 06 21 0	3664/5
09 801 06 21 0	3664/7
09 801 06 21 0	3664/8
09 801 06 21 0	3664/9
09.000.61.79.0	3664/A
09.801.02.20.0	4091
09.801.02.20.0	4091/1
09.801.02.20.0	4091/A
09.801.02.57.0	3525
09.801.02.57.0	3565
09.801.02.57.0	3525/A
09.801.02.57.0	3565/1
09.801.02.57.0	3565/2
09.801.02.57.0	3565/3
09.801.02.57.0	3565/5
09.801.02.57.0	3565/A
09.801.02.92.0	3565
09.801.02.92.0	3870
09.801.02.92.0	4091
09.801.02.92.0	3565/1
09.801.02.92.0	3565/2
09.801.02.92.0	3565/3
09.801.02.92.0	3565/5
09.801.02.92.0	3565/A
09.801.02.92.0	3870/1
09.801.02.92.0	3870/2
09.801.02.92.0	3870/3
09.801.02.92.0	4091/1
09.801.02.92.0	4091/A
09.801.06.20.0	3565
09.801.06.20.0	3664
09.801.06.20.0	4164
09.801.06.20.0	3565/1
09.801.06.20.0	3565/2
09.801.06.20.0	3565/3
09.801.06.20.0	3565/5
09.801.06.20.0	3565/A
09.801.06.20.0	3664/1
09.801.06.20.0	3664/2
09.801.06.20.0	3664/3
09.801.06.20.0	3917/2
09.801.06.36.0	3664
09.801.06.36.0	4091
09.801.06.36.0	4362
09.801.06.36.0	3664/1
09.801.06.36.0	3664/2
09.801.06.36.0	3664/3
09.801.06.36.0	3664/4
09.801.06.36.0	3664/5
09.801.06.36.0	3664/7
09.801.06.36.0	3664/8
09.801.06.36.0	3664/9
09.801.06.36.0	3664/A
09.801.06.36.0	4091/1
09.801.06.36.0	4091/A
09.801.06.44.0	4091
09.801.06.44.0	4091/1
09.801.06.45.0	3664
09.801.06.45.0	3789
09.801.06.45.0	4362
09.801.06.45.0	3664/1
09.801.06.45.0	3664/2
09.801.06.45.0	3664/3
09.801.06.45.0	3789/3
09.801.06.45.0	4091/1
09.801.06.45.0	4091/A
09.801.06.45.0	4091/A
09.801.06.95.0	3664/3


	
OE	NO
09.801.06.95.0	3664/4
09.801.06.95.0	3664/5
09.801.06.95.0	3664/7
09.801.06.96.0	3525
09.801.06.96.0	4091
09.801.06.96.0	4362
09.801.06.96.0	3525/A
09.801.06.96.0	3664/7
09.801.06.96.0	3664/8
09.801.06.96.0	3664/9
09.801.06.96.0	3664/A
09.801.06.96.0	4091/1
09.801.06.96.0	4091/A
09.801.07.07.0	3664
09.801.07.07.0	3525/A
09.801.07.26.0	3664/1
09.801.07.26.0	3664/2
09.801.07.26.0	3664/3
09.801.07.28.0	3664/4
09.801.07.28.0	3664/5
09.801.07.28.0	3664/7
09.801.07.55.0	3664/8
09.801.07.57.0	3664/8
09.801.07.94.0	3664/9
09.801.07.96.0	3664/9
09.801.07.97.1	3664/A
09.801.08.16.0	4091
09.801.08.16.0	3664/A
09.801.08.16.0	4091/1
09291024SB6000	3664
09291024SB6000	3664/1
09291024-SB6000	3664/1
09291024-SB6000	3664/2
09291037SB7000	3828
09291037SB7000	3917
09291037SB7000	3828/1
09291037SB7000	3828/2
09291037SB7000	3828/3
09291037SB7000	3845/1
09291037SB7000	3917/1
09291037SB7000	3917/3
09291037-SB7000	3828
09291037-SB7000	3845
09291037-SB7000	3917
09291037-SB7000	3828/1
09291037-SB7000	3828/2
09291037-SB7000	3828/3
09291037-SB7000	3845/1
09291037-SB7000	3917/1
09291037-SB7000	3917/3
1 390 428	3565
1 390 428	3664
1 390 428	3770
1 390 428	3789
1 390 428	4091
1 390 428	4129
1 390 428	3565/1
1 390 428	3565/2
1 390 428	3565/3
1 390 428	3565/5
1 390 428	3565/A
1 390 428	3664/1
1 390 428	3664/2
1 390 428	3770/1
1 390 428	3789/3
1 390 428	4091/1
1 390 428	4091/A
1 521 979	3664
1 521 979	3664/1
1 521 979	3664/2
1 521 979	3664/3

	
OE	NO
1 521 979	3664/4
1 521 979	3664/5
1 521 979	3664/7
1 521 979	3664/8
1 521 979	3664/9
1 521 979	3664/A
1 527 633	3789
1 527 633	3664/7
1 527 633	3664/8
1 527 633	3664/9
1 527 633	3664/A
1 527 633	3789/3
1 617 343	3664
1 617 343	3789
1 617 343	3789/3
1 734 529	3664
1 734 529	3789
1 734 529	3664/1
1 734 529	3664/2
1 734 529	3664/3
1 734 529	3664/4
1 734 529	3664/5
1 734 529	3789/3
110 229 68	4051
110 229 68	4051/1
143 6901	3664/1
143 6901	3664/2
143 6901	3664/3
143 6901	3664/4
143 6901	3664/5
143 6901	3664/7
143 6901	3664/8
143 9324	3770
143 9324	3844
143 9324	3664/9
143 9324	3664/A
143 9324	3844/1
1430228H91	3664/8
1430228H91	3664/9
1430228H91	3664/A
1436 901	3770
1436 901	3789
1436 901	3770/1
1440 504	3789
1440 504	3789/3
1519 364	3908
1519 364	3789/3
15227419T	3664/7
15227419T	3664/8
15227419T	3664/9
1526 237	3908
1526 237	3908/1
1526 237	3908/A
1528 282	4359
1528 282	3908/A
1534 089	3818
1534 089	4359
161 7343	3818
161 7343	4130
161 7343	4130/1
1628 064	4130/1
173 45 29	4091
173 45 29	3664/7
173 45 29	3664/8
173 45 29	3664/9
173 45 29	3664/A
173 45 29	4091/1
179 7053	4091
179 7053	4359


OE	
NO	NO
179 7053	4091/1
179 7053	4130/1
180 0830	4091/1
187 8030	4091/1
187 8030	4091/A
190 6070	3664/2
190 6191	3664/3
190 6191	3664/4
190 6297	3664/5
190 6344	3664/7
190 6345	3664/8
190 6416	3664/9
190 6439	3789
190 6439	3908
190 6439	4091
190 6439	4266
190 6439	4362
190 6439	3664/A
190 6439	3789/3
190 6439	3908/1
190 6439	4091/1
190 6439	4091/A
190 6459	3908
190 6459	3908/1
190 6459	3908/A
190 6467	3770
190 6467	3828
190 6467	3770/1
190 6467	3828/1
190 6467	3828/2
196 2265	4091
196 2265	4091/1
196 2265	4091/A
1962 439	4091/A
204 552	3497
204 552	4091
204 552	4164
204 552	3497/1
204 552	3497/2
204 552	3664/8
204 552	3664/9
204 552	3664/A
204 552	4091/1
204 552	4091/A
205 687 11	3664
205 687 11	3664/1
205 687 11	3664/2
205 687 11	3664/3
205 687 11	3664/4
205 687 11	3664/5
205 687 11	3664/7
205 687 11	4091/A
205 687 14	4091
205 687 14	3664/8
205 687 14	3664/9
205 687 14	3664/A
205 687 14	4091/1
209 326 82	4091/A
210 247 02	4091
210 247 02	4091/1
210 247 02	4091/A
213 525 70	4091
213 525 70	4164
213 525 70	4091/1
213 525 70	4091/A
213 525 73	3664
213 525 73	3664/1
213 525 73	4091/1
213 525 73	4091/A
214 965 50	4091


OE	
NO	NO
214 965 50	3664/2
214 965 50	3664/3
214 965 50	3664/4
214 965 50	3664/5
214 965 50	3664/7
214 965 50	3664/8
214 965 50	3664/9
214 965 50	3664/A
214 965 51	4047
214 965 51	4047/1
214 965 51	4091/1
214 965 51	4091/A
299 2336	3770
299 2336	3770/1
299 2336	3828/3
299 2348	3789
299 2348	3845
299 2348	4091
299 2348	3770/1
299 2348	3789/3
299 2348	3845/1
299 2348	4091/1
299 2348	4091/A
299 2476	3828
299 2476	3839
299 2476	4091
299 2476	3828/1
299 2476	3828/2
299 2476	3828/3
299 2476	3839/1
299 2476	3839/2
299 2476	3845/1
299 2476	4091/1
299 2476	4091/A
299 5637	3565
299 5637	3707
299 5637	3789
299 5637	3828
299 5637	3565/1
299 5637	3565/2
299 5637	3565/3
299 5637	3565/5
299 5637	3565/A
299 5637	3789/3
299 5637	3828/1
299 5637	3828/2
299 5809	3828
299 5809	3828/1
299 5809	3828/2
299 5809	3828/3
299 5819	3497
299 5819	3828
299 5819	3902
299 5819	3497/1
299 5819	3497/2
299 5819	3789/1
299 5819	3789/2
299 5819	3789/4
299 5819	3828/1
299 5819	3828/2
299 5819	3828/3
299 5819	3902/1
299 5819	3902/2
299 5938	3902
299 5938	4052
299 5938	4053
299 5938	4091
299 5938	3789/1
299 5938	3789/2
299 5938	3789/4
299 5938	3902/1


OE	
NO	NO
299 5938	3902/2
299 5938	4091/1
299 5938	4091/A
299 6378	3497
299 6378	4052
299 6378	4091
299 6378	4362
299 6378	3497/1
299 6378	3497/2
299 6378	4091/1
299 6378	4091/A
299 6468	3789
299 6468	3789/1
299 6468	4091/1
299 6468	4091/A
299 6515	3789
299 6515	4091
299 6515	4362
299 6515	3789/1
299 6515	3789/2
299 6515	3789/3
299 6515	3789/4
299 6515	4091/1
299 6515	4091/A
3 057 0077 00	4091
3 057 0077 00	3664/5
3 057 0077 00	3664/7
3 057 0077 00	3664/8
3 057 0077 00	3664/9
3 057 0077 00	3664/A
3 057 0077 00	4091/1
3 057 0078 00	3789
3 057 0078 00	4091/A
3 057 0079 00	3664
3 057 0079 00	3789
3 057 0079 00	4091
3 057 0079 00	3664/1
3 057 0079 00	3664/2
3 057 0079 00	3664/3
3 057 0079 00	3664/4
3 057 0079 00	3664/5
3 057 0079 00	3664/7
3 057 0079 00	3664/8
3 057 0079 00	3664/9
3 057 0079 00	3664/A
3 057 0079 00	3789/3
3 057 0079 00	4091/1
3 057 0079 00	4091/A
3 057 0080 00	3908
3 057 0080 00	4129
3 057 0080 00	3908/1
3 057 0080 00	3908/A
3 057 0084 00	3664
3 057 0084 00	4129
3 057 0084 00	3664/1
3 057 0084 00	3664/2
3 057 0084 00	3664/3
3 057 0084 00	3664/4
3 057 0084 00	3664/5
3 057 0084 00	3664/7
3 057 0084 00	3664/8
3 057 0085 00	3664/9
3 057 0085 00	3664/A
3 057 3179 00	4091
3 057 3179 00	4091/1
3 093 919	3917
3.057.0078.00	3565
3.057.0078.00	4091/A
3090 048-4	3917/1
3093 939	3917/3
3095 396	3917


OE	
NO	NO
3095 396	3917/1
4 057 4277 00	3565
4 057 4277 00	3565/1
4 057 4277 00	3565/2
4 057 4277 00	3565/3
4 057 4277 00	3565/5
4 057 4277 00	3565/A
4 057 4278 00	3565/1
4 057 4278 00	3565/2
4 057 4278 00	3565/3
410609X425	4091/A
4121 1278	4091
4121 1278	4362
4121 1278	3789/1
4121 1278	3789/2
4121 1278	3789/4
4121 1278	4091/1
4121 1278	4091/A
4121 2279	3902
4121 2279	3789/2
4121 2279	3789/4
4121 2279	3902/1
425 410 62	3902/2
5 317 0023 00	3565
5 317 0023 00	3565/1
5 317 0023 00	3565/2
5 317 0023 00	3565/3
5 317 0023 00	3565/5
5 317 0023 00	3565/A
5 317 0024 00	3664
5 317 0024 00	3908
5 317 0024 00	3565/2
5 317 0024 00	3565/5
5 317 0024 00	3565/A
5 317 0024 00	3664/1
5 317 0024 00	3664/2
5 317 0024 00	3664/3
5 317 0024 00	3664/4
5 317 0024 00	3664/5
5 317 0024 00	3664/7
5 317 0024 00	3664/8
5 317 0024 00	3664/9
5 317 0024 00	3664/A
50 00 814 345	3664/4
50 01 823 000	3498
50 01 823 000	3664
50 01 823 000	3664/1
50 01 823 000	3664/2
50 01 823 000	3664/3
50 01 823 000	3664/4
50 01 823 000	3664/5
50 01 823 000	3664/7
50 01 823 000	3664/8
50 01 823 000	3664/9
50 01 823 000	3664/A
50 01 823 557	3664/5
50 01 831 161	3664/7
50 01 831 161	3664/8
50 01 833 114	3664/9
50 01 833 114	3664/A
50 01 834 075	3664
50 01 834 075	3664/1
50 01 834 075	3664/2
50 01 834 075	3664/3
50 01 834 075	3664/4
50 01 834 075	3664/5
50 01 834 075	3664/7
50 01 834 075	3664/8
50 01 846 034	3664/9
50 01 854 342	3664
50 01 854 342	3664/A




<b>OE</b>	
<b>NO</b>	<b>NO</b>
50 01 855 902	3664
50 01 855 902	3664/1
50 01 855 902	3664/2
50 01 866 951	3664/2
50 01 866 951	3664/3
50 01 866 951	3664/4
50 01 866 951	3664/5
500 05463 2	3902
500 05463 2	3902/1
500 05516 7	3902/1
500 05516 7	3902/2
5000 814 345	3664/7
5001 014 704	3664/7
5001 014 704	3664/8
5001 823 557	3664/8
5001 825 639	3664/9
5001 831 161	3664
5001 831 161	3664/1
5001 831 161	3664/A
5001 833 114	3664/2
5001 833 114	3664/3
5001 833 114	3664/4
5001 833 114	3664/5
5001 846 034	3664/7
5001 846 034	3664/8
5001 846 034	3664/9
5001 846 034	3664/A
5001 855 646	3828
5001 855 646	3828/1
5001 855 646	3828/2
5001 855 646	3828/3
5001 863 904	3498
5001 863 904	4091
5001 863 904	4091/1
5001 863 904	4091/A
5001 864 363	3498
5001 864 363	3565
5001 864 363	3565/1
5001 864 363	3565/2
5001 864 363	3565/3
5001 864 363	3565/5
5001 864 363	3565/A
5001 864 364	3828
5001 864 364	3565/2
5001 864 364	3565/5
5001 864 364	3565/A
5001 864 364	3828/1
5001 864 364	3828/2
5001 864 364	3828/3
5001 864 365	3828
5001 864 365	3828/1
5001 864 365	3828/2
5001 864 365	3828/3
5001 866 951	3828
5001 866 951	3828/1
5001 866 951	3828/2
5010 848 607	3498
5010 848 607	3789
5010 848 607	3789/3
5010 848 607	3828/2
5010 848 607	3828/3
620 4677	3908
620 4677	3908/1
659742-1	3908
659742-1	3908/1
659742-1	3908/A
68320504NGZ	3789/1
68320504NGZ	3789/4
68324558NZZ	4091
68324558NZZ	3664/A
693 420 01 20	4091/A


<b>OE</b>	
<b>NO</b>	<b>NO</b>
74 21 493 598	3664
74 21 493 598	4091
74 21 493 598	3664/1
74 21 493 598	4091/1
74 21 493 598	4091/A
74 21 538 270	3789
74 85 137 789	3664
74 85 137 789	3789/3
74 85 137 789 SK1	3664
74 85 137 789 SK1	3664/1
74 85 137 861	3664/1
74 85 137 861	3664/2
74 85 137 861	3664/3
8 285 000 571	3497
8 285 000 571	3908
8 285 000 571	3497/1
8 285 000 571	3908/1
8 285 000 571	3908/A
8 285 388 435	3497/2
8 285 515 573	3498
8 285 515 573	3902
8 285 515 573	3908
8 285 515 573	4091
8 285 515 573	4362
8 285 515 573	3497/2
8 285 515 573	3789/2
8 285 515 573	3789/4
8 285 515 573	3902/1
8 285 515 573	3902/2
8 285 515 573	3908/A
8 285 515 573	4091/1
8.285.000.571	3902
8.285.000.571	4052
8.285.000.571	4053
8.285.000.571	3902/1
8.285.000.571	3902/2
8.285.515.573	4053
8.285.515.573	3789/1
8.285.515.573	3789/2
8.285.515.573	3789/4
8001 863 904	3664/2
8001 863 904	3664/3
8001 863 904	3664/4
81 50804 5088	3565/1
81 5082 06070	3565/2
81 50820 5006	3565/3
81 50820 5023	3565/2
81 50820 5023	3565/3
81 50820 5023	3565/5
81 50820 5025	3565
81 50820 5025	3565/1
81 50820 5025	3565/2
81 50820 5025	3565/5
81 50820 5025	3565/A
81 50820 5072	3497
81 50820 5072	3828
81 50820 5072	3497/1
81 50820 5072	3497/2
81 50820 5072	3565/2
81 50820 5072	3565/3
81 50820 5072	3565/5
81 50820 5072	3565/A
81 50820 5073	3828
81 50820 5073	3828/1
81 50820 5080	3497
81 50820 5080	3828
81 50820 5080	3497/1
81 50820 5080	3497/2


<b>OE</b>	
<b>NO</b>	<b>NO</b>
81 50820 5080	3828/1
81 50820 5080	3828/2
81 50820 5080	3828/3
81 50820 5082	3828
81 50820 5088	3828
81 50820 5091	3828/1
81 50820 5092	3828/1
81 50820 5094	3828/1
81 50820 5094	3828/2
81 50820 5098	3828/2
81 50820 5099	3828
81 50820 5099	3828/1
81 50820 5099	3828/2
81 50820 5099	3828/3
81 50820 5104	3828/2
81 50820 5104	3828/3
81 50820 6020	3789
81 50820 6020	3908
81 50820 6020	3789/3
81 50820 6020	3828/3
81 50820 6026	3908/1
81 50820 6030	3497
81 50820 6030	3565
81 50820 6030	3664
81 50820 6030	3789
81 50820 6030	4091
81 50820 6030	4129
81 50820 6030	3497/1
81 50820 6030	3497/2
81 50820 6030	3565/1
81 50820 6030	3565/2
81 50820 6030	3565/3
81 50820 6030	3565/5
81 50820 6030	3565/A
81 50820 6030	3664/1
81 50820 6030	3664/2
81 50820 6030	3664/3
81 50820 6030	3664/4
81 50820 6030	3664/5
81 50820 6030	3664/7
81 50820 6030	3664/8
81 50820 6030	3664/9
81 50820 6030	3664/A
81 50820 6030	3789/3
81 50820 6030	3908/A
81 50820 6030	4091/1
81 50820 6030	4091/A
81 50820 6032	3497
81 50820 6032	3498
81 50820 6032	3565
81 50820 6032	3497/1
81 50820 6032	3497/2
81 50820 6032	3565/1
81 50820 6032	3565/2
81 50820 6032	3565/5
81 50820 6033	3497
81 50820 6033	3664
81 50820 6033	3789
81 50820 6033	3497/1
81 50820 6033	3497/2
81 50820 6033	3565/A
81 50820 6033	3664/1
81 50820 6033	3664/2
81 50820 6033	3789/3
81 50820 6042	3664/3
81 50820 6042	3664/4
81 50820 6042	3664/5
81 50820 6042	3664/7
81 50820 6042	3664/8
81 50820 6042	3664/9


<b>OE</b>	
<b>NO</b>	<b>NO</b>
81 50820 6042	3664/A
81 50820 6043	4091
81 50820 6044	4091/1
81 50820 6045	4091/1
81 50820 6046	4091/1
81 50820 6047	4091/A
81 50820 6051	3664
81 50820 6051	3828
81 50820 6051	4362
81 50820 6051	3828/1
81 50820 6051	3828/2
81 50820 6051	3828/3
81 50820 6051	4091/A
81 50820 6052	3664/1
81 50820 6052	3664/2
81 50820 6052	3664/3
81 50820 6052	3664/4
81 50820 6054	3664/5
81 50820 6054	3664/7
81 50820 6054	3664/8
81 50820 6055	4091
81 50820 6055	3664/9
81 50820 6055	3664/A
81 50820 6055	4091/1
81 50820 6055	4091/A
81 50820 6056	3497
81 50820 6056	3498
81 50820 6056	3565
81 50820 6056	3828
81 50820 6056	3497/1
81 50820 6056	3497/2
81 50820 6056	3565/1
81 50820 6056	3565/2
81 50820 6056	3565/3
81 50820 6056	3565/5
81 50820 6056	3828/1
81 50820 6056	3828/2
81 50820 6056	3828/3
81 50820 6056	4091/A
81 50820 6059	3908
81 50820 6059	3565/A
81 50820 6060	3497
81 50820 6060	3908/1
81 50820 6060	3908/A
81 50820 6061	3497
81 50820 6061	3497/1
81 50820 6061	3497/2
81 50820 6063	3497
81 50820 6063	3498
81 50820 6065	3497
81 50820 6071	3497
81 50820 6071	3497/1
81 50820 6071	3497/2
81.50.820.6070	3497
81.50.820.6070	3498
81.50.820.6070	3497/2
81.50820.5022	3497
81.50820.5022	3497/1
81.50820.5023	3497
81.50820.5023	3498
81.50820.5023	3497/1
81.50820.5024	3497
81.50820.5024	3497/1
81.50820.5025	3498
81.50820.5025	3828
81.50820.5025	3497/2
81.50820.5029	3828
81.50820.5029	3828/1
81.50820.5029	3828/2





OE	
NO	NO
81.50820.5030	3828
81.50820.5030	3828/3
81.50820.5057	3664
81.50820.5057	3908
81.50820.5057	3828/1
81.50820.5057	3828/2
81.50820.5057	3828/3
81.50820.5057	3908/1
81.50820.5057	3908/A
81.50820.5074	3664
81.50820.5074	3664/1
81.50820.5079	3664/2
81.50820.5079	3664/3
81.50820.5079	3664/4
81.50820.5079	3664/5
81.50820.5082	3664/5
81.50820.5082	3664/7
81.50820.5082	3664/8
81.50820.5085	3664/8
81.50820.5085	3664/9
81.50820.6006	4091
81.50820.6006	3664/A
81.50820.6006	4091/1
81.50820.6006	4091/A
81.50820.6020	3789
81.50820.6020	4362
81.50820.6020	3789/3
81.50820.6040	4091
81.50820.6042	3908
81.50820.6042	4091/1
81.50820.6042	4091/A
81.50820.6043	3789
81.50820.6043	3908/1
81.50820.6043	3908/A
81.50820.6054	4129
81.50820.6054	3789/3
81.50820.6057	4091
81.50820.6057	4129
81.50820.6057	4091/1
81.50820.6058	3497
81.50820.6058	4091/A
81.50820.6063	3497
81.50820.5023	3497
81.50820.5023	3497/1
81.50820.5029	3497/1
81.50820.5029	3497/2
81.50820.6006	3498
81.50820.6006	4050
81.50820.6006	4050/1
81.50820.6006	4050/10
81.50820.6006	4050/2
81.50820.6006	4050/3
81.50820.6006	4050/A
81.50820.6020	4051
81.50820.6020	4051/1
81.50820.6020	4051/2
81.50820.6020	4051/3
81.50820.6022	4051/10
81.50820.6022	4051/3
81.50820.6030	3664
81.50820.6030	3902
81.50820.6030	4288
81.50820.6030	3664/1
81.50820.6030	3902/1
81.50820.6030	3902/2
81.50820.6030	4051/10
81.50820.6030	4051/A
81.50820.6042	3664/2
81.50820.6042	3664/3
81.50820.6042	3664/4
81.50820.6042	3664/5



OE	
NO	NO
81.50820-6042	3664/7
81.50820-6042	3664/8
81.50820-6042	3664/9
81.50820-6060	4091
81.50820-6060	3664/A
81.50820-6061	3664
81.50820-6061	4091/1
81.50820-6061	4091/A
81.50820-6064	3664/1
81.50820-6064	3664/2
8150820 5112	3664/3
8150820 5112	3664/4
8550 611	3917/3
9 291 037	3908
9 291 037	4091
9 291 037	4362
9 291 037	3908/1
9 291 037	3908/A
9 291 037	4091/1
9 291 037	4091/A
9.291.037	3902
9.291.037	3902/2
905 420 00 20	3664
905 420 00 20	3664/1
9291024SB6000	3664/2
9291024SB6000	3664/3
9291-024-SB6000	3664/3
9291-024-SB6000	3664/4
9291037SB7000	3917
9291037SB7000	4047
9291037SB7000	3917/1
9291037SB7000	3917/3
9291037SB7000	4047/1
9291-037-SB7000	3917
9291-037-SB7000	4047
9291-037-SB7000	3917/1
9291-037-SB7000	3917/3
9291-037-SB7000	4047/1
9291-042	4047
9291-042	4047/1
9291-063	3664/4
9317-202	3845
9317-202	3917
9317-202	4047
9317-202	4290
9317-202	3845/1
9317-202	4047/1
A 002 420 49 20	4071
A 002 420 49 20	3664/2
A 002 420 49 20	3664/3
A 002 420 49 20	3664/4
A 002 420 49 20	3664/5
A 002 420 49 20	3664/7
A 002 420 49 20	3664/8
A 002 420 49 20	3664/9
A 002 420 49 20	3664/A
A 002 420 49 20	4091/1
A 000 421 10 10	4091
A 000 421 10 10	4091/1
A 000 421 10 10	4091/A
A 000 421 12 10	4091
A 000 421 12 10	4091/A
A 000 421 43 10	3908
A 000 421 43 10	4091
A 000 421 43 10	4091/1
A 000 421 43 10	4091/A
A0004210510	4091/1
A0004214310	4091
A0004214310	3908/1


OE	
NO	NO
A0004214310	3908/A
A0004214310	4091/1
A0004214310	4091/1
A001 421 05 10	3433
A001 421 05 10	4091/A
A001 421 06 10	3433
A001 421 06 10	3525
A001 421 25 10	3525/A
A001 421 26 10	3433/1
A001 421 52 10	3433/1
A0014201520	3433/1
A0014215710	3664
A002 420 08 20	3664
A002 420 08 20	3664/1
A002 420 08 20	3664/2
A002 420 08 20	3664/3
A002 420 08 20	3664/4
A002 420 08 20	3664/5
A002 420 08 20	3664/7
A002 420 08 20	3664/8
A002 420 08 20	3664/9
A002 420 55 20	3525
A002 420 55 20	3565
A002 420 55 20	3669
A002 420 55 20	4091
A002 420 55 20	3525/A
A002 420 55 20	3565/1
A002 420 55 20	3565/2
A002 420 55 20	3565/3
A002 420 55 20	3565/5
A002 420 55 20	3565/A
A002 420 55 20	3664/9
A002 420 55 20	3664/A
A0024202220	3664
A0024202220	3870
A0024202220	3664/1
A0024202220	3664/2
A0024202220	3870/1
A0024202220	3870/2
A0024202220	3870/3
A0024202220	4091/1
A0024202220	4091/A
A002420222010	3664/3
A0024204920	3664/4
A0024205720	3664/5
A0024205720	3664/7
A0024206220	3664/8
A0024206220	3664/9
A003 420 11 20	4091
A003 420 11 20	3664/A
A003 420 11 20	4091/1
A003 420 12 20	3917
A003 420 12 20	4091/A
A003 420 55 20	3917
A003 420 55 20	3917/1
A003 420 55 20	3917/3
A003 420 66 20	3845
A003 420 66 20	3917
A003 420 66 20	3845/1
A003 420 72 20	3917
A003 420 72 20	3917/1
A003 420 73 20	3917/1
A003 420 73 20	3917/3
A0034201520	3917/3
A0034201620	3917
A0034202020	3917
A0034203520	3917

OE	
NO	NO
A0034203520	3917/1
A0034204420	3917/3
A0034207220	4047
A0034207220	3917/3
A0034207720	4047/1
A004 420 22 20	3917
A004 420 22 20	3917/1
A004 420 22 20	3917/3
A004 420 60 20	3664
A004 420 60 20	3789
A004 420 60 20	4047
A004 420 60 20	3789/3
A004 420 60 20	4047/1
A004 420 61 20	3664
A004 420 61 20	3664/1
A004 420 61 20	3664/2
A0044202220	3664/2
A0044202220	3664/3
A0044202220	3664/4
A0044202220	3664/5
A0044202220	3664/7
A0044204820	3664/7
A0044204820	3664/8
A0044206020	3664
A0044206020	3664/1
A0044206020	3664/8
A0044206020	3664/9
A0044206020	3664/A
A0044206120	3664/1
A0044214310	4266
A0044214310	3664/2
A0044214310	3908/A
A0044214310	3917/2
A006 420 10 20	3664/2
A006 420 10 20	3664/3
A006 420 10 20	3664/4
A006 420 11 20	3664/5
A006 420 11 20	3664/7
A006 420 11 20	3664/8
A006 420 14 20	3664/8
A006 420 14 20	3664/9
A006 420 15 20	3664
A006 420 15 20	3664/1
A006 420 15 20	3664/2
A006 420 15 20	3664/3
A006 420 15 20	3664/4
A006 420 15 20	3664/5
A006 420 15 20	3664/7
A006 420 15 20	3664/9
A006 420 15 20	3664/A
A006 420 15 20	4091
A006 420 52 20	3664/8
A006 420 52 20	3664/9
A006 420 52 20	3664/A
A006 420 52 20	4091/1
A006 420 52 20	4091/A
A006 420 53 20	3664
A006 420 53 20	3664/1
A006 420 53 20	3664/2
A006 420 53 20	3664/3
A006 420 53 20	3664/4
A006 420 53 20	3664/5
A006 420 53 20	3664/9
A006 420 53 20	3664/A
A0064201020	3664
A0064201020	3789
A0064201020	3908
A0064201020	4091


OE 	
NO	NO
A0064201020	4362
A0064201020	3664/1
A0064201020	3664/2
A0064201020	3664/3
A0064201020	3789/3
A0064201020	3908/1
A0064201020	3917/2
A0064201020	4091/1
A0064201020	4091/A
A0064201120	3664/3
A0064201120	3664/4
A0064201120	3664/5
A0064201120	3664/7
A0064201420	3664/7
A0064201420	3664/8
A0064201420	3664/9
A0064201420	3664/A
A0064201520	3664
A0064201520	3664/1
A0064201520	3664/2
A0064201520	3664/3
A0064201520	3664/4
A0064201520	3664/A
A0064205220	3664/5
A0064205220	3664/7
A0064205220	3664/8
A0064205220	3664/9
A0064205320	3664
A0064205320	3664/1
A0064205320	3664/2
A0064205320	3664/3
A0064205320	3664/4
A0064205320	3664/5
A0064205320	3664/7
A0064205320	3664/8
A0064205320	3664/A
A008 420 63 20	3664/8
A008 420 64 20	3664/9
A008 420 65 20	3664/9
A008 420 65 20	3664/A
A008 420 66 20	4091
A008 420 66 20	4091/1
A008 420 66 20	4091/A
A0084206020	3664
A0084206020	3789
A0084206020	3664/1
A0084206020	3664/2
A0084206020	3789/3
A0084206320	3664/2
A0084206420	3664/3
A4054200020	3664/3
A4054200020	3664/4
A4054200220	3664/4
A4054200220	3664/5
A6694200020	3664/5
A6694200020	3664/7
A6694200120	3664/7
A6694200120	3664/8
A6694201520	3664/8
A6704202820	3664/9
A6884203020	3664/A
A6934200120	4091
A6934200120	3664/A
A6934200120	4091/1
A6934200120	4091/A
A9054200020	3664
A9054200020	4091/A
BBU 8177	3908
BBU8177	3908
BBU8177	4091



OE 	
NO	NO
BBU8177	3908/1
BBU8177	3908/A
BBU8178	3908
BBU8178	3908/1
BBU8178	3908/A
D1060LC44A	4091/A
DAFBBU8177	4091
K 046 771 K50	4091/1
K 046 771 K50	4091/A
K003965	3664
K003965	4362
K003965	3664/1
K003965	3664/2
K003965	3664/3
K003965	4091/A
K046772K50	3664
K046772K50	4362
K046772K50	3664/1
K046772K50	3664/2
K046772K50	3664/3
K046772K50	3664/4
K046772K50	3917/1
K046772K50	3917/3
KTGC462K021AA	3828
KTGC462K021AA	3917
KTGC462K021AA	3828/1
KTGC462K021AA	3828/2
KTGC462K021AA	3828/3
M100669	4050
M100669	4051
M100669	4091
M100669	4050/1
M100669	4050/10
M100669	4050/2
M100669	4050/3
M100669	4050/A
M100669	4091/1
M100669	4091/A
M91000101	4051
M91000101	3917/1
M91000101	3917/3
M91000101	4051/1
M910001-01	4047
M910001-01	3917/3
M91002704	4047
M91002704	3664/5
M91002704	3664/7
M910027-04	4047
M910027-04	4047/1
M91004502	3664
M91004502	3917
M91004502	3664/1
M91004502	3664/2
M91004502	3664/8
M91004502	3664/9
M91004502	3664/A
M91004502	3917/1
M91004502	4047/1
M910045-02	4047
M910045-02	3664/3
M910045-02	3664/4
M910045-02	3664/5
M910045-02	3664/7
M910045-02	3664/8
M910045-02	3917/1
M910045-02	3917/3
M910045-02	4051/1
M910045-02	4051/10
M910045-02	4051/2
M910045-02	4051/3
M910045-02	4051/A


OE 	
NO	NO
MER MDP5117	3664
Q8285515554	4091
Q8285515554	3908/A
Q8285515554	4091/1
Q-82855-15554	4091
Q-82855-15554	4091/1
Q-82855-15554	4091/A
Q8285515573	4091
Q8285515573	4091/A
Q-8285515573	3664
Q-8285515573	4362
Q-8285515573	3664/1
Q-8285515573	3664/2
Q-8285515573	3664/3
Q-8285515573	3664/4
Q-8285515573	3664/5
Q-8285515573	3664/7
Q-8285515573	3902/1
Q-8285515573	3902/2
Q-82855-15573	4091
Q-82855-15573	4091/1
S0572917300	3908/1
S0572917300	3908/A
T 221350	4047
T 221350	3917/1
T 221350	3917/3
T221350	3917
T221350	4047/1
PAGID 	
NO	NO
C1004	3664
C1004	3664/1
C1004	3664/3
C1004	3664/4
C1004	3664/5
C1004	3664/7
C1004	3664/8
C1004	3664/9
C1004	3664/A
C1006	3789
C1006	3789/3
C1014	3664
C1014	3664/1
C1014	3664/3
C1014	3664/4
C1014	3664/5
C1014	3664/7
C1014	3664/8
C1014	3664/9
C1014	3664/A
C1020	3664
C1020	3664/1
C1020	3664/3
C1020	3664/4
C1020	3664/5
C1020	3664/7
C1020	3664/8
C1020	3664/9
C1020	3664/A
C1024	3664/2
C1026	3789/1
C1026	3789/2
C1026	3789/4
C1028	3902
C1028	3902/1
C1028	3902/2


PAGID 	
NO	NO
C1028	4243
C1030	3664
C1030	3664/1
C1030	3664/3
C1030	3664/4
C1030	3664/5
C1030	3664/7
C1030	3664/8
C1030	3664/9
C1030	3664/A
C2010	3497
C2010	3497/1
C2010	3497/2
C2010	3498
C2011	3497
C2011	3497/1
C2011	3497/2
C2011	3498
C2012	3497
C2012	3497/1
C2012	3497/2
C2012	3498
C2013	3497
C2013	3497/1
C2013	3497/2
C2013	3498
C2016	3770
C2016	3770/1
C2022	3497
C2022	3497/1
C2022	3497/2
C2022	3498
C2023	3497
C2023	3497/1
C2023	3497/2
C2023	3498
C2024	3837
C2032	3497
C2032	3497/1
C2032	3497/2
C2032	3498
C2040	3845
C2040	3845/1
C2042	3828
C2042	3828/1
C2042	3828/2
C2042	3828/3
C2048	4359
C3008	3525
C3008	3525/A
C4020	3433/1
C4022	3433
C4032	3565
C4032	3565/1
C4032	3565/2
C4032	3565/3
C4032	3565/5
C4032	3565/A
C4033	3565
C4033	3565/1
C4033	3565/2
C4033	3565/3
C4033	3565/A
C4056	3870
C4056	3870/2





<b>R BRAKE</b>		
NO	NO	
RB1437-066	3664/5	
RB1437-066	3664/7	
RB1437-066	3664/8	
RB1437-066	3664/9	
RB1437-066	3664/A	
RB1437-118	3664	
RB1437-118	3664/1	
RB1437-118	3664/3	
RB1437-118	3664/4	
RB1437-118	3664/5	
RB1437-118	3664/7	
RB1437-118	3664/8	
RB1437-118	3664/9	
RB1437-118	3664/A	
RB1623	3844	
RB1623-066	3844	
RB1623-067	3844	
RB1623-124	3844/1	
RB1623-225	3844	
RB1623-225	3844/1	
RB1629	3789/1	
RB1629	3789/2	
RB1629	3789/4	
RB1629-066	3789/1	
RB1629-066	3789/2	
RB1629-066	3789/4	
RB1630	3664/2	
RB1630-066	3664/2	
RB1630-072	3664/2	
RB1631	3839	
RB1631	3839/1	
RB1631	3839/2	
RB1631-066	3839	
RB1631-066	3839/1	
RB1631-066	3839/2	
RB1631-067	3839	
RB1631-067	3839/1	
RB1631-067	3839/2	
RB1830	3902	
RB1830	3902/1	
RB1830	3902/2	
RB1830	4243	
RB1830-066	3902	
RB1830-066	3902/1	
RB1830-066	3902/2	
RB1830-066	4243	
RB1831	3917	
RB1831	3917/1	
RB1831-066	3917	
RB1831-066	3917/1	
RB1841	4047	
RB1841	4047/1	
RB1841-066	4047	
RB1841-066	4047/1	
RB1841-122	4047	
RB1841-122	4047/1	
RB1842	4131	
RB1842	4131/1	
RB1842-066	4131	
RB1842-066	4131/1	
RB1842-122	4131	
RB1842-122	4131/1	
RB1958	4169	
RB1958-117	4169	
RB2123	4051	
RB2123	4051/1	
RB2123	4051/2	
RB2123	4051/3	
RB2123	4051/10	


<b>R BRAKE</b>		
NO	NO	
RB2123	4051/10	
RB2123	4051/10	
RB2123	4051/A	
RB2123-066	4051	
RB2123-066	4051/1	
RB2123-066	4051/2	
RB2123-066	4051/3	
RB2123-066	4051/10	
RB2123-066	4051/10	
RB2123-066	4051/A	
RB2124	4050	
RB2124	4050/1	
RB2124	4050/2	
RB2124	4050/3	
RB2124	4050/10	
RB2124	4050/A	
RB2124-066	4050	
RB2124-066	4050/1	
RB2124-066	4050/2	
RB2124-066	4050/3	
RB2124-066	4050/10	
RB2124-066	4050/A	
<b>REMSA</b>		
NO	NO	
1032.00	3870	
1032.00	3870/2	
1032.30	3870	
1032.30	3870/2	
1033.00	3845	
1033.00	3845/1	
1034.30	3828	
1034.30	3828/1	
1034.30	3828/2	
1034.30	3828/3	
1073.80	4359	
1073.00	4359	
1074.00	3902	
1074.00	3902/1	
1074.00	3902/2	
1074.00	4243	
1074.80	3902	
1074.80	3902/1	
1074.80	3902/2	
1074.80	4243	
1075.80	3839	


<b>REMSA</b>		
NO	NO	
1075.80	3839/1	
1075.80	3839/2	
1075.00	3839	
1075.00	3839/1	
1075.00	3839/2	
1076.80	3664/2	
1076.00	3664/2	
1084.00	3789/1	
1084.00	3789/2	
1084.00	3789/4	
1084.80	3789/1	
1084.80	3789/2	
1084.80	3789/4	
1156.00	4131	
1156.00	4131/1	
1254.80	3844	
1254.00	3844	
1257.00	3917	
1257.00	3917/1	
1317.00	4047	
1317.00	4047/1	
1399.00	4169	
1479.80	4051	
1479.80	4051/1	
1479.80	4051/2	
1479.80	4051/3	
1479.80	4051/10	
1479.80	4051/10	
1479.80	4051/10	
1479.80	4051/A	
1479.00	4051	
1479.00	4051/1	
1479.00	4051/2	
1479.00	4051/3	
1479.00	4051/10	
1479.00	4051/10	
1479.00	4051/10	
1479.00	4051/A	
1480.00	4050	
1480.00	4050/1	
1480.00	4050/2	
1480.00	4050/3	
1480.00	4050/10	
1480.00	4050/A	
1480.80	4050	
1480.80	4050/1	
1480.80	4050/2	
1480.80	4050/3	
1480.80	4050/10	
1480.80	4050/A	
498.30	3525	
498.30	3525/A	
498.00	3525	
498.00	3525/A	
506.30	3497	

<b>REMSA</b>		
NO	NO	
506.30	3497/1	
506.30	3497/2	
506.30	3498	
506.31	3497	
506.31	3497/1	
506.31	3497/2	
506.31	3498	
622.00	3770	
622.00	3770/1	
622.30	3770	
622.30	3770/1	
637.00	3664	
637.00	3664/1	
637.00	3664/3	
637.00	3664/4	
637.00	3664/5	
637.00	3664/7	
637.00	3664/8	
637.00	3664/9	
637.00	3664/A	
637.20	3664	
637.20	3664/1	
637.20	3664/3	
637.20	3664/4	
637.20	3664/5	
637.20	3664/7	
637.20	3664/8	
637.20	3664/9	
637.20	3664/A	
658.30	3565	
658.30	3565/1	
658.30	3565/2	
658.30	3565/3	
658.30	3565/5	
658.30	3565/A	
658.00	3565	
658.00	3565/1	
658.00	3565/2	
658.00	3565/3	
658.00	3565/5	
658.00	3565/A	
680.00	3837	
814.00	3789	
814.00	3789/3	
814.80	3789	
814.80	3789/3	
JCA0277.00	3433/1	
JCA0277.10	3433/1	
JCA0277.12	3433	
JCA0277.40	3433	

REMSA	
NO	NO
JCA0498.00	3525
JCA0498.00	3525/A
JCA0498.02	3525
JCA0498.02	3525/A
JCA0498.30	3525
JCA0498.30	3525/A
JCA0498.40	3525
JCA0498.40	3525/A
JCA0498.41	3525
JCA0498.41	3525/A
JCA0498.80	3525
JCA0498.80	3525/A
JCA0498.81	3525
JCA0498.81	3525/A
JCA0506.00	3497
JCA0506.00	3497/1
JCA0506.00	3497/2
JCA0506.00	3498
JCA0506.02	3497
JCA0506.02	3497/1
JCA0506.02	3497/2
JCA0506.02	3498
JCA0506.14	3497
JCA0506.14	3497/1
JCA0506.14	3497/2
JCA0506.14	3498
JCA0506.20	3497
JCA0506.20	3497/1
JCA0506.20	3497/2
JCA0506.20	3498
JCA0506.30	3497
JCA0506.30	3497/1
JCA0506.30	3497/2
JCA0506.30	3498
JCA0506.31	3497
JCA0506.31	3497/1
JCA0506.31	3497/2
JCA0506.31	3498
JCA0506.40	3497
JCA0506.40	3497/1
JCA0506.40	3497/2
JCA0506.40	3498
JCA0506.42	3497
JCA0506.42	3497/1
JCA0506.42	3497/2
JCA0506.42	3498
JCA0506.44	3497
JCA0506.44	3497/1
JCA0506.44	3497/2
JCA0506.44	3498
JCA0506.80	3497
JCA0506.80	3497/1
JCA0506.80	3497/2
JCA0506.80	3498
JCA0506.82	3497
JCA0506.82	3497/1
JCA0506.82	3497/2
JCA0506.82	3498
JCA0506.84	3497
JCA0506.84	3497/1
JCA0506.84	3497/2
JCA0506.84	3498
JCA0622.00	3770
JCA0622.00	3770/1
JCA0622.30	3770
JCA0622.30	3770/1
JCA0637.00	3664
JCA0637.00	3664/1
JCA0637.00	3664/3
JCA0637.00	3664/4
JCA0637.00	3664/5

REMSA	
NO	NO
JCA0637.00	3664/7
JCA0637.00	3664/8
JCA0637.00	3664/9
JCA0637.00	3664/A
JCA0637.20	3664
JCA0637.20	3664/1
JCA0637.20	3664/3
JCA0637.20	3664/4
JCA0637.20	3664/5
JCA0637.20	3664/7
JCA0637.20	3664/8
JCA0637.20	3664/9
JCA0637.20	3664/A
JCA0637.80	3664
JCA0637.80	3664/1
JCA0637.80	3664/3
JCA0637.80	3664/4
JCA0637.80	3664/5
JCA0637.80	3664/7
JCA0637.80	3664/8
JCA0637.80	3664/9
JCA0637.80	3664/A
JCA0637.81	3664
JCA0637.81	3664/1
JCA0637.81	3664/3
JCA0637.81	3664/4
JCA0637.81	3664/5
JCA0637.81	3664/7
JCA0637.81	3664/8
JCA0637.81	3664/9
JCA0637.81	3664/A
JCA0658.00	3565
JCA0658.00	3565/1
JCA0658.00	3565/2
JCA0658.00	3565/3
JCA0658.00	3565/5
JCA0658.00	3565/A
JCA0658.30	3565
JCA0658.30	3565/1
JCA0658.30	3565/2
JCA0658.30	3565/3
JCA0658.30	3565/5
JCA0658.30	3565/A
JCA0658.80	3565
JCA0658.80	3565/1
JCA0658.80	3565/2
JCA0658.80	3565/3
JCA0658.80	3565/5
JCA0658.80	3565/A
JCA0680.00	3837
JCA0680.30	3837
JCA0814.00	3789
JCA0814.00	3789/3
JCA0814.80	3789
JCA0814.80	3789/3
JCA1032.00	3870
JCA1032.00	3870/2
JCA1032.30	3870
JCA1032.30	3870/2
JCA1032.40	3870/1
JCA1032.80	3870/1
JCA1033.00	3845
JCA1033.00	3845/1
JCA1034.00	3828
JCA1034.00	3828/1
JCA1034.00	3828/2
JCA1034.00	3828/3

REMSA	
NO	NO
JCA1034.30	3828
JCA1034.30	3828/1
JCA1034.30	3828/2
JCA1034.30	3828/3
JCA1073.00	4359
JCA1073.80	4359
JCA1074.00	3902
JCA1074.00	3902/1
JCA1074.00	3902/2
JCA1074.00	4243
JCA1074.80	3902
JCA1074.80	3902/1
JCA1074.80	3902/2
JCA1074.80	4243
JCA1075.00	3839
JCA1075.00	3839/1
JCA1075.00	3839/2
JCA1075.80	3839
JCA1075.80	3839/1
JCA1075.80	3839/2
JCA1076.00	3664/2
JCA1076.80	3664/2
JCA1084.00	3789/1
JCA1084.00	3789/2
JCA1084.00	3789/4
JCA1084.80	3789/1
JCA1084.80	3789/2
JCA1084.80	3789/4
JCA1156.00	4131
JCA1156.00	4131/1
JCA1254.00	3844
JCA1254.80	3844
JCA1257.00	3917
JCA1257.00	3917/1
JCA1317.00	4047
JCA1317.00	4047/1
JCA1399.00	4169
JCA1479.00	4051
JCA1479.00	4051/1
JCA1479.00	4051/2
JCA1479.00	4051/3
JCA1479.00	4051/10
JCA1479.00	4051/10
JCA1479.00	4051/10
JCA1479.00	4051/A
JCA1479.80	4051
JCA1479.80	4051/1
JCA1479.80	4051/2
JCA1479.80	4051/3
JCA1479.80	4051/10
JCA1479.80	4051/10
JCA1479.80	4051/10
JCA1480.00	4050
JCA1480.00	4050/1
JCA1480.00	4050/2
JCA1480.00	4050/3
JCA1480.00	4050/10
JCA1480.00	4050/A
JCA1480.80	4050
JCA1480.80	4050/1
JCA1480.80	4050/2
JCA1480.80	4050/3
JCA1480.80	4050/10
JCA1480.80	4050/A

REMSA	
NO	NO
JCA277.00	3433/1
JCA277.10	3433/1
JCA277.12	3433
JCA277.40	3433
JCA498.00	3525
JCA498.00	3525/A
JCA498.02	3525
JCA498.02	3525/A
JCA498.30	3525
JCA498.30	3525/A
JCA498.40	3525
JCA498.40	3525/A
JCA498.41	3525
JCA498.41	3525/A
JCA498.80	3525
JCA498.80	3525/A
JCA498.81	3525
JCA498.81	3525/A
JCA506.00	3497
JCA506.00	3497/1
JCA506.00	3497/2
JCA506.00	3498
JCA506.02	3497
JCA506.02	3497/1
JCA506.02	3497/2
JCA506.02	3498
JCA506.14	3497
JCA506.14	3497/1
JCA506.14	3497/2
JCA506.14	3498
JCA506.20	3497
JCA506.20	3497/1
JCA506.20	3497/2
JCA506.20	3498
JCA506.30	3497
JCA506.30	3497/1
JCA506.30	3497/2
JCA506.30	3498
JCA506.31	3497
JCA506.31	3497/1
JCA506.31	3497/2
JCA506.31	3498
JCA506.40	3497
JCA506.40	3497/1
JCA506.40	3497/2
JCA506.40	3498
JCA506.42	3497
JCA506.42	3497/1
JCA506.42	3497/2
JCA506.42	3498
JCA506.44	3497
JCA506.44	3497/1
JCA506.44	3497/2
JCA506.44	3498
JCA506.80	3497
JCA506.80	3497/1
JCA506.80	3497/2
JCA506.80	3498
JCA506.82	3497
JCA506.82	3497/1
JCA506.82	3497/2
JCA506.82	3498






REMSA	
NO	NO
JCA506.82	3498
JCA506.84	3497
JCA506.84	3497/1
JCA506.84	3497/2
JCA506.84	3498
JCA622.00	3770
JCA622.00	3770/1
JCA622.30	3770
JCA622.30	3770/1
JCA637.00	3664
JCA637.00	3664/1
JCA637.00	3664/3
JCA637.00	3664/4
JCA637.00	3664/5
JCA637.00	3664/7
JCA637.00	3664/8
JCA637.00	3664/9
JCA637.00	3664/A
JCA637.20	3664
JCA637.20	3664/1
JCA637.20	3664/3
JCA637.20	3664/4
JCA637.20	3664/5
JCA637.20	3664/7
JCA637.20	3664/8
JCA637.20	3664/9
JCA637.20	3664/A
JCA637.80	3664
JCA637.80	3664/1
JCA637.80	3664/3
JCA637.80	3664/4
JCA637.80	3664/5
JCA637.80	3664/7
JCA637.80	3664/8
JCA637.80	3664/9
JCA637.80	3664/A
JCA637.81	3664
JCA637.81	3664/1
JCA637.81	3664/3
JCA637.81	3664/4
JCA637.81	3664/5
JCA637.81	3664/7
JCA637.81	3664/8
JCA637.81	3664/9
JCA637.81	3664/A
JCA658.00	3565
JCA658.00	3565/1
JCA658.00	3565/2
JCA658.00	3565/3
JCA658.00	3565/5
JCA658.00	3565/A
JCA658.30	3565
JCA658.30	3565/1
JCA658.30	3565/2
JCA658.30	3565/3
JCA658.30	3565/5
JCA658.30	3565/A
JCA658.80	3565
JCA658.80	3565/1
JCA658.80	3565/2
JCA658.80	3565/3
JCA658.80	3565/5
JCA658.80	3565/A
JCA680.00	3837
JCA680.30	3837
JCA814.00	3789
JCA814.00	3789/3


REMSA	
NO	NO
JCA814.80	3789
JCA814.80	3789/3
<b>ROAD HOUSE</b>	
NO	NO
21 156.00	4131
21 156.00	4131/1
21032.00	3870
21032.00	3870/2
21032.30	3870
21032.30	3870/2
21032.40	3870/1
21032.80	3870/1
21033.0	3845
21033.0	3845/1
21033.00	3845
21033.00	3845/1
21034.00	3828
21034.00	3828/1
21034.00	3828/2
21034.00	3828/3
21034.30	3828
21034.30	3828/1
21034.30	3828/2
21034.30	3828/3
21073.00	4359
21073.80	4359
21074.80	3902
21074.80	3902/1
21074.80	3902/2
21074.80	4243
21075.00	3839
21075.00	3839/1
21075.00	3839/2
21075.80	3839
21075.80	3839/1
21075.80	3839/2
21076.00	3664/2
21076.80	3664/2
21084.00	3789/1
21084.00	3789/2
21084.00	3789/4
21084.80	3789/1
21084.80	3789/2
21084.80	3789/4
21254.00	3844
21254.80	3844
21257.00	3917
21257.00	3917/1
21317.00	4047
21317.00	4047/1
21399.00	4169
21479.00	4051
21479.00	4051/1
21479.00	4051/2




ROAD HOUSE	
NO	NO
21479.00	4051/3
21479.00	4051/10
21479.00	4051/10
21479.00	4051/10
21479.00	4051/A
21479.80	4051
21479.80	4051/1
21479.80	4051/2
21479.80	4051/3
21479.80	4051/10
21479.80	4051/10
21479.80	4051/10
21479.80	4051/A
21480.00	4050
21480.00	4050/1
21480.00	4050/2
21480.00	4050/3
21480.00	4050/10
21480.00	4050/A
21480.80	4050
21480.80	4050/1
21480.80	4050/2
21480.80	4050/3
21480.80	4050/10
21480.80	4050/A
2277,40	3433
2277.00	3433/1
2277.10	3433/1
2277.12	3433
2498,80	3525
2498,80	3525/A
2498.00	3525
2498.00	3525/A
2498.02	3525
2498.02	3525/A
2498.30	3525
2498.30	3525/A
2498.40	3525
2498.40	3525/A
2498.41	3525
2498.41	3525/A
2498.81	3525
2498.81	3525/A
2506.00	3497
2506.00	3497/1
2506.00	3497/2
2506.00	3498
2506.02	3497
2506.02	3497/1
2506.02	3497/2
2506.02	3498
2506.14	3497
2506.14	3497/1
2506.14	3497/2
2506.14	3498


ROAD HOUSE	
NO	NO
2506.20	3497
2506.20	3497/1
2506.20	3497/2
2506.20	3498
2506.30	3497
2506.30	3497/1
2506.30	3497/2
2506.30	3498
2506.31	3497
2506.31	3497/1
2506.31	3497/2
2506.31	3498
2506.40	3497
2506.40	3497/1
2506.40	3497/2
2506.40	3498
2506.42	3497
2506.42	3497/1
2506.42	3497/2
2506.42	3498
2506.44	3497
2506.44	3497/1
2506.44	3497/2
2506.44	3498
2506.80	3497
2506.80	3497/1
2506.80	3497/2
2506.80	3498
2506.82	3497
2506.82	3497/1
2506.82	3497/2
2506.82	3498
2506.84	3497
2506.84	3497/1
2506.84	3497/2
2506.84	3498
2622.00	3770
2622.00	3770/1
2622.30	3770
2622.30	3770/1
2637,80	3664
2637,80	3664/1
2637,80	3664/3
2637,80	3664/4
2637,80	3664/5
2637,80	3664/7
2637,80	3664/8
2637,80	3664/9
2637,80	3664/A
2637.00	3664
2637.00	3664/1
2637.00	3664/3
2637.00	3664/4
2637.00	3664/5
2637.00	3664/7
2637.00	3664/8
2637.00	3664/9
2637.00	3664/A
2637.20	3664
2637.20	3664/1
2637.20	3664/3
2637.20	3664/4
2637.20	3664/5
2637.20	3664/7
2637.20	3664/8
2637.20	3664/9
2637.20	3664/A
2637.81	3664
2637.81	3664/1
2637.81	3664/3
2637.81	3664/4



<b>ROAD HOUSE</b>			
NO	NO	NO	NO
2637.81	3664/5		
2637.81	3664/7		
2637.81	3664/8		
2637.81	3664/9		
2637.81	3664/A		
2658,80	3565		
2658,80	3565/1		
2658,80	3565/2		
2658,80	3565/3		
2658,80	3565/5		
2658,80	3565/A		
2658.00	3565		
2658.00	3565/1		
2658.00	3565/2		
2658.00	3565/3		
2658.00	3565/5		
2658.00	3565/A		
2658.30	3565		
2658.30	3565/1		
2658.30	3565/2		
2658.30	3565/3		
2658.30	3565/5		
2658.30	3565/A		
2680.00	3837		
2680.30	3837		
2814,80	3789		
2814,80	3789/3		
2814.00	3789		
2814.00	3789/3		
JSX21075.00	3839		
JSX21075.00	3839/1		
JSX21075.00	3839/2		
JSX21075.80	3839		
JSX21075.80	3839/1		
JSX21075.80	3839/2		
JSX21254.00	3844		
JSX21254.80	3844		
<b>SAE-SMB</b>			
NO	NO	NO	NO
9291024	3870/3		
09291024SB6000	3870/3		
09291024-SB6000	3870/3		
9291024SB6000	3870/3		
9291-024-SB6000	3870/3		
<b>SAF</b>			
NO	NO	NO	NO
3057007800	3870/3		
3057007801	3870/3		
4057427800	3870/3		
5317002400	3870/3		
3 057 0078 00	3870/3		
3.057.0078.00	3870/3		
4 057 4278 00	3870/3		
5 317 0024 00	3870/3		

<b>SAMKO</b>			
NO	NO	NO	NO
5SP1142	3433/1		
5SP1143	3433		
5SP1152	3497		
5SP1152	3497/1		
5SP1152	3497/2		
5SP1152	3498		
5SP1161	3770		
5SP1161	3770/1		
5SP1162	3497		
5SP1162	3497/1		
5SP1162	3497/2		
5SP1162	3498		
5SP1165	3837		
5SP1168	3789		
5SP1168	3789/3		
5SP1169	3908		
5SP1169	3908/1		
5SP1169	3908/A		
5SP1170	3565		
5SP1170	3565/1		
5SP1170	3565/2		
5SP1170	3565/3		
5SP1170	3565/5		
5SP1170	3565/A		
5SP1172	3664		
5SP1172	3664/1		
5SP1172	3664/3		
5SP1172	3664/4		
5SP1172	3664/5		
5SP1172	3664/8		
5SP1172	3664/9		
5SP1172	3664/A		
5SP1173	3664		
5SP1173	3664/1		
5SP1173	3664/3		
5SP1173	3664/4		
5SP1173	3664/5		
5SP1173	3664/7		
5SP1173	3664/8		
5SP1173	3664/9		
5SP1173	3664/A		
5SP1174	3789		
5SP1174	3789/3		
5SP1180	3845		
5SP1180	3845/1		
5SP1183	3870		
5SP1183	3870/2		
5SP1184	3870		
5SP1184	3870/2		
5SP1185	3789/1		
5SP1185	3789/2		
5SP1185	3789/4		
5SP1186	3902		
5SP1186	3902/1		
5SP1186	3902/2		
5SP1186	4243		
5SP1187	3664/2		
5SP1325	3917		
5SP1325	3917/1		
5SP1492	4047		
5SP1492	4047/1		
5SP1539	4131		
5SP1539	4131/1		
5SP1586	4169		
5SP1586A	4169		
5SP1742	4051		
5SP1742	4051/1		
5SP1742	4051/2		

<b>SAMKO</b>			
NO	NO	NO	NO
5SP1742	4051/3		
5SP1742	4051/10		
5SP1742	4051/10		
5SP1742	4051/10		
5SP1742	4051/A		
5SP473	3525		
5SP473	3525/A		
5SP823	3828		
5SP823	3828/1		
5SP823	3828/2		
5SP823	3828/3		
5SP824	4359		
<b>SBS</b>			
NO	NO	NO	NO
1501222346	3525		
1501222346	3525/A		
1501223936	3497		
1501223936	3497/1		
1501223936	3497/2		
1501223936	3498		
1501224016	3433		
1501229950	3433/1		
1501229987	3664		
1501229987	3664/1		
1501229987	3664/3		
1501229987	3664/4		
1501229987	3664/5		
1501229987	3664/7		
1501229987	3664/8		
1501229987	3664/9		
1501229987	3664/A		
<b>SCHMITZ CARGOBULL</b>			
NO	NO	NO	NO
1087988	3870/3		
1182958	3870/3		

<b>SIFFERT</b>			
NO	NO	NO	NO
100013	3433/1		
100016	3433		
100040	3525		
100040	3525/A		
100045	3497		
100045	3497/1		
100045	3497/2		
100045	3498		
100046	3497		
100046	3497/1		
100046	3497/2		
100046	3498		
100052	3770		
100052	3770/1		
100054	3664		
100054	3664/1		
100054	3664/3		
100054	3664/4		
100054	3664/5		
100054	3664/7		
100054	3664/8		
100054	3664/9		
100054	3664/A		
100055	3664		
100055	3664/1		
100055	3664/3		
100055	3664/4		
100055	3664/5		
100055	3664/7		
100055	3664/8		
100055	3664/9		
100055	3664/A		
100056	3664		
100056	3664/1		
100056	3664/3		
100056	3664/4		
100056	3664/5		
100056	3664/7		
100056	3664/8		
100056	3664/9		
100056	3664/A		
100057	3664		
100057	3664/1		
100057	3664/3		
100057	3664/4		
100057	3664/5		
100057	3664/7		
100057	3664/8		
100057	3664/9		
100057	3664/A		
100066	3837		
100067	3837		
100068	3789		
100068	3789/3		
100069	3565		
100069	3565/1		
100069	3565/2		
100069	3565/3		
100069	3565/5		
100069	3565/A		
100073	3908		
100073	3908/1		
100073	3908/A		
100075	3845		
100075	3845/1		















