

CATALOGUE/CATALOGO/КАТАЛОГ/قائمة مبوبة/KATALOG

İŞ MAKİNASI BALATALARI • INDUSTRIAL BRAKE PADS
ДИСКОВЫЕ ТОРМОЗНЫЕ КОЛОДКИ ДЛЯ ТЯЖЕЛОЙ СТРОИТЕЛЬНОЙ ТЕХНИКИ
PLAQUETTES DE FREIN INDUSTRIELLES
مكابح الفرامل لجميع المعدات الثقيلة

industrial brake /pads



GLIE PER FREN / DISK BRAKE PADS / DIS
UETTES / PAST / E PER FREN
GLIE PER FREN / DISK BRAKE PADS / DIS
RAKE PADS / DISK BALATA / PLAQUETTES





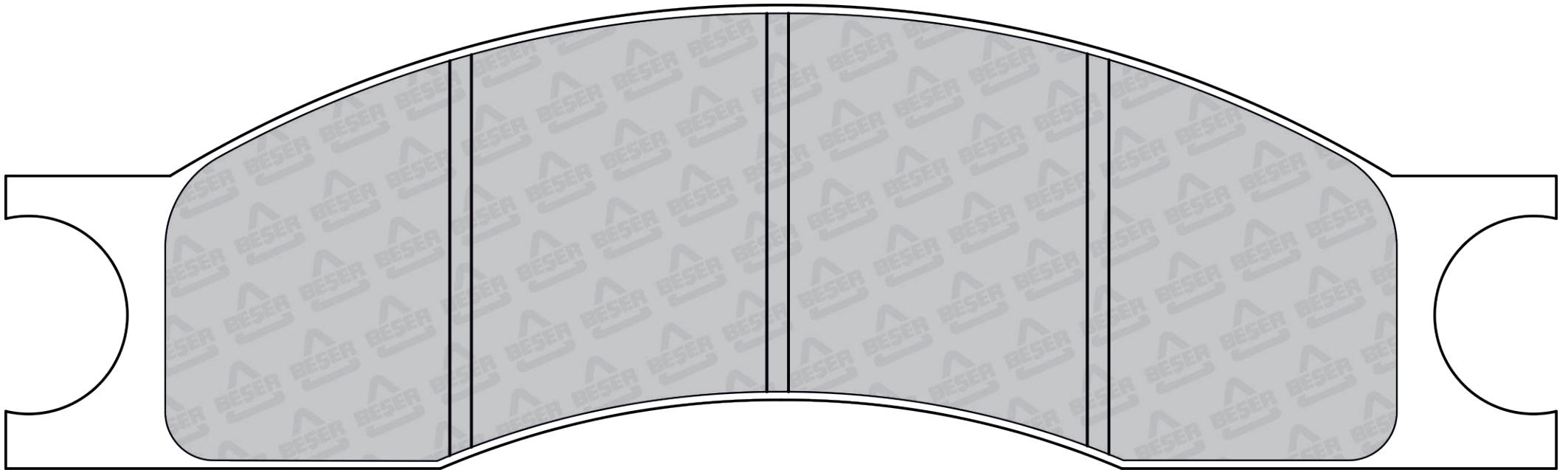
REFERENCE	T(mm)	REMARKS	MAKE	F/R	WVA No
3367	22	4 PADS PLAIN	--	--	20301



176,8 x 73
(1:1 SCALE)



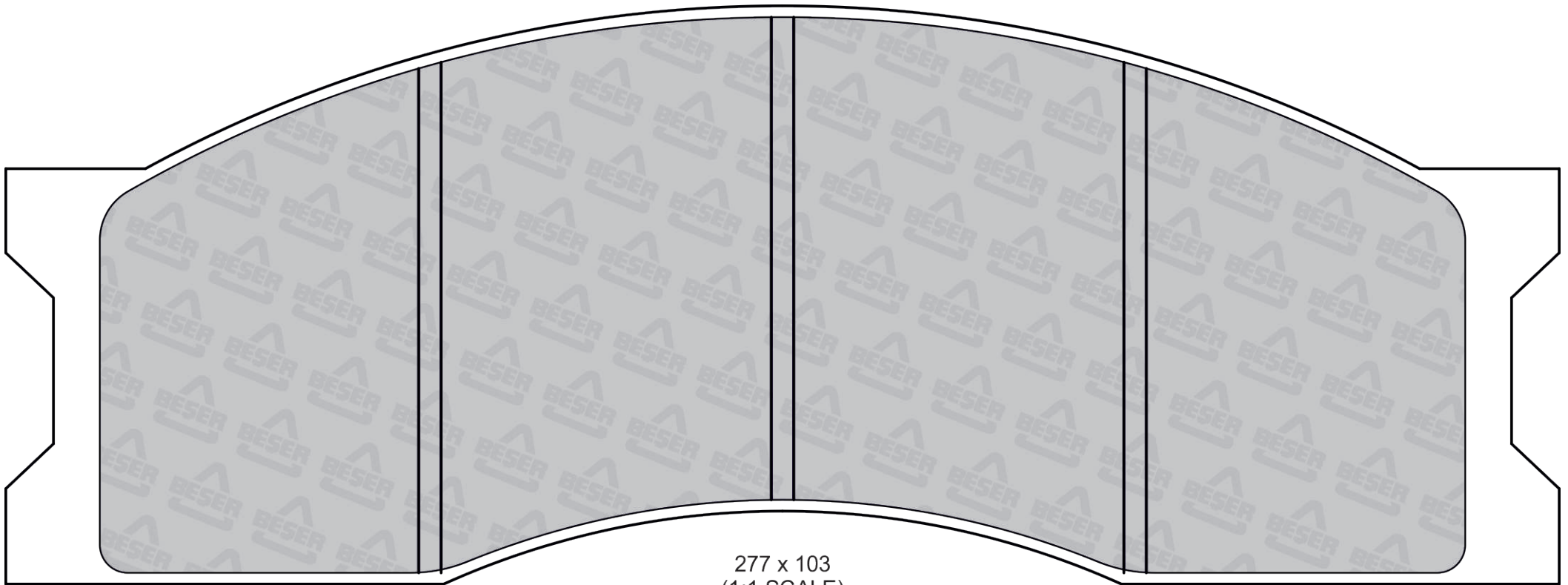
REFERENCE	T(mm)	REMARKS	MAKE	F/R	WVA No
3368	22	4 PADS PLAIN	---	---	29009



277,8 x 85,7
(1:1 SCALE)



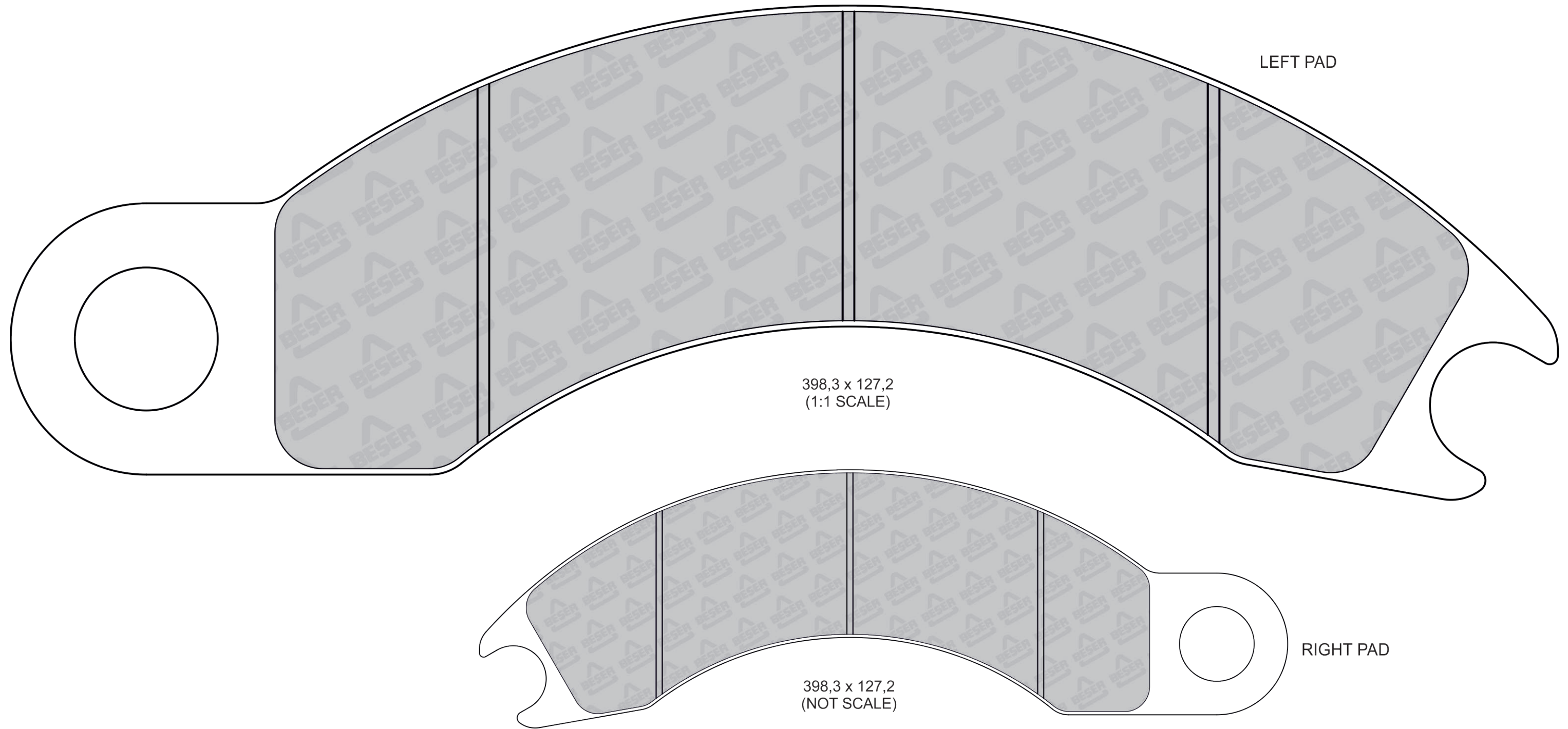
REFERENCE	T(mm)	REMARKS	MAKE	F/R	WVA No
3382	24	4 PADS PLAIN	---	---	52157



277 x 103
(1:1 SCALE)

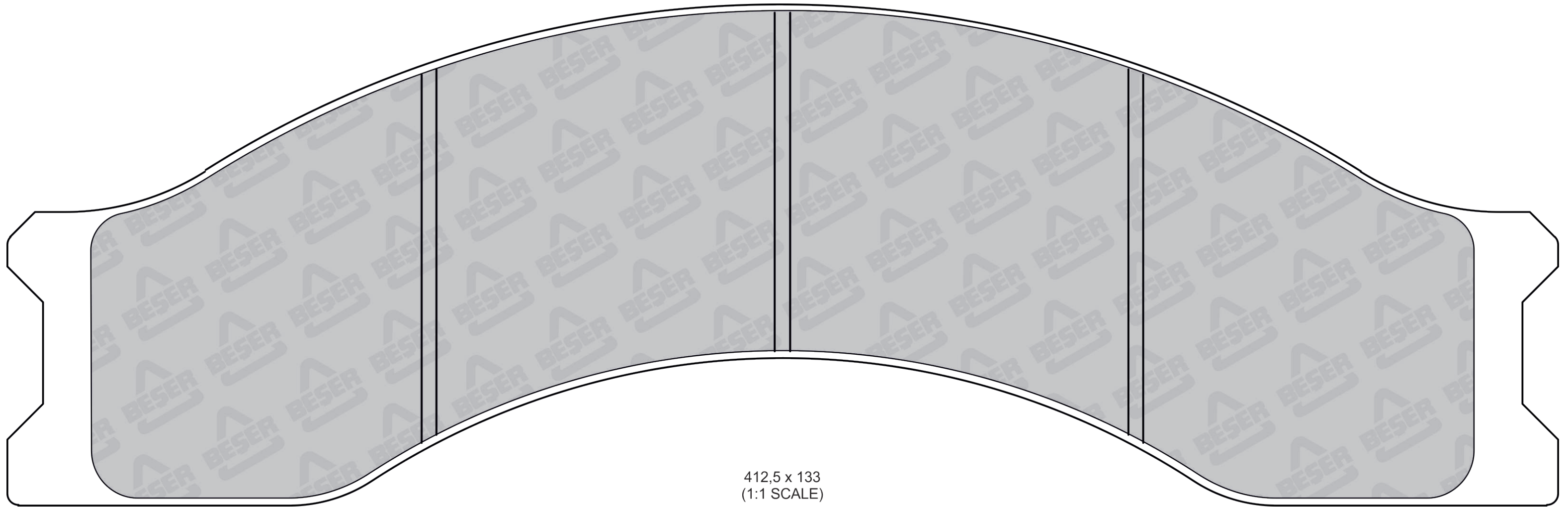


REFERENCE	T(mm)	REMARKS	MAKE	F/R	WVA No
3383	27,5	4 PADS PLAIN	---	---	22021



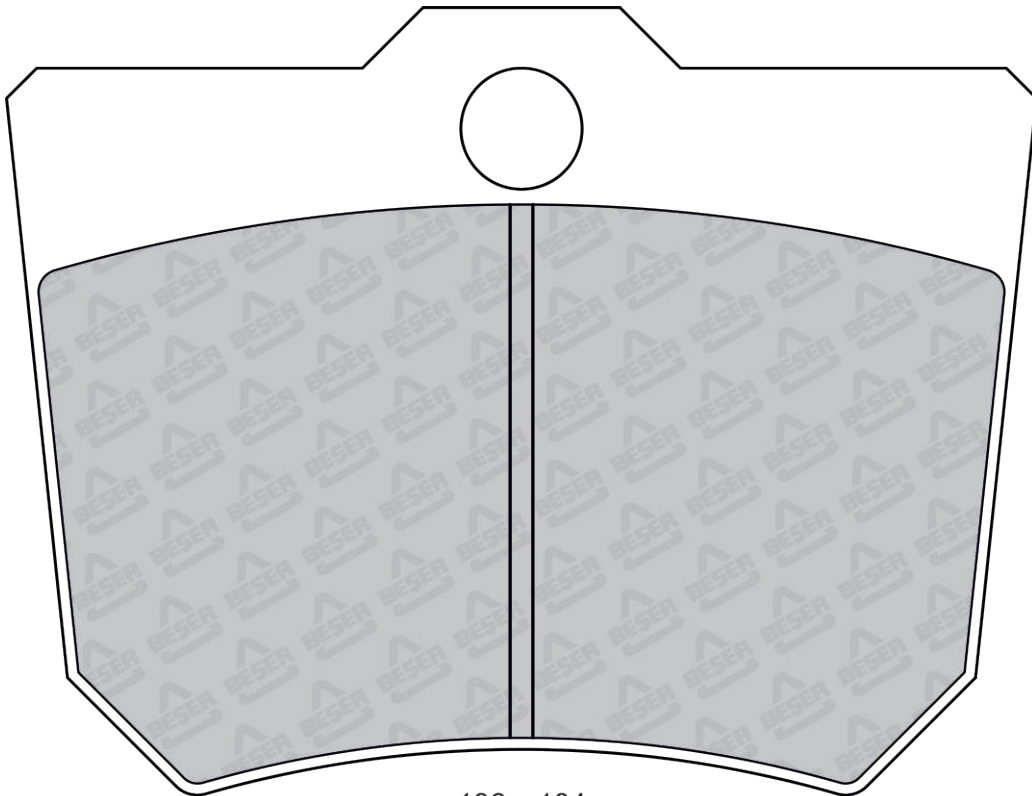


REFERENCE	T(mm)	REMARKS	MAKE	F/R	WVA No
3384	27	4 PADS PLAIN	---	---	---





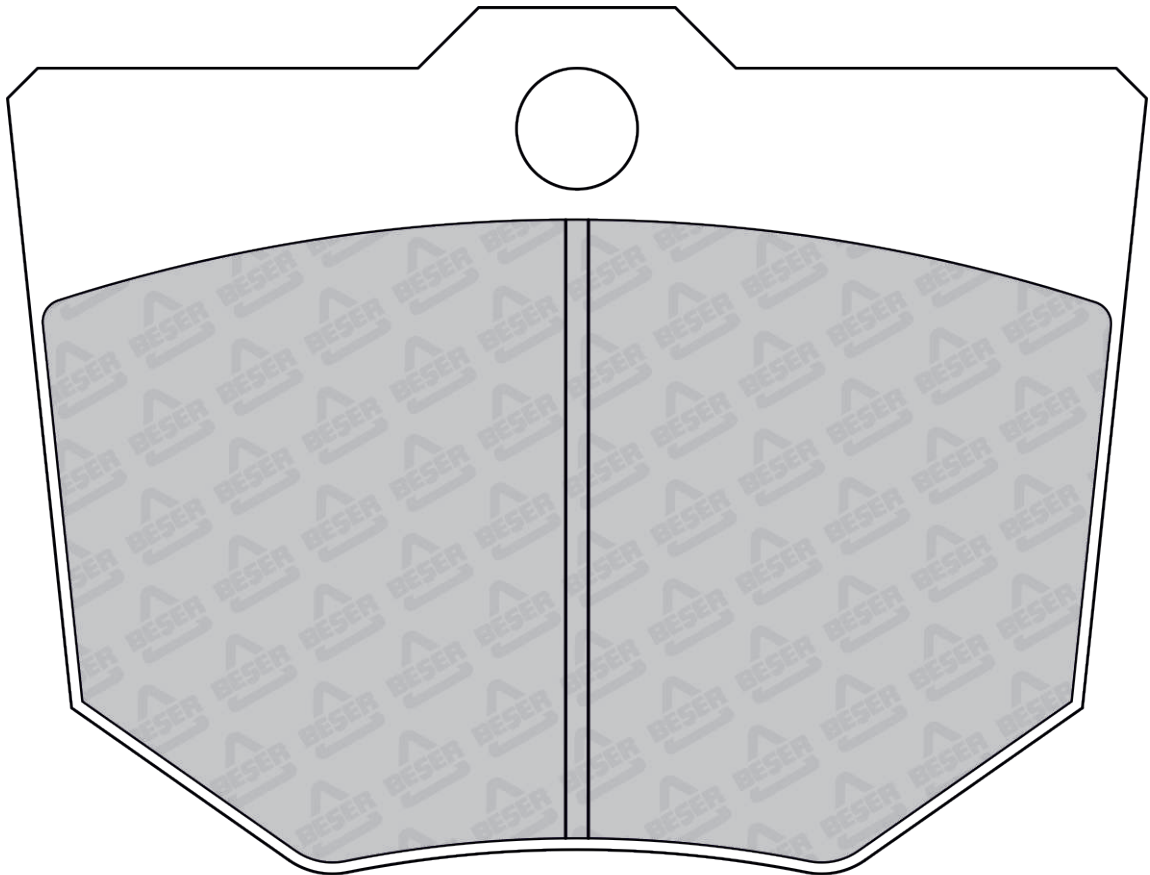
REFERENCE	T(mm)	REMARKS	MAKE	F/R	WVA No
3385	24	4 PADS PLAIN	---	---	20625



136 x 104
(1:1 SCALE)



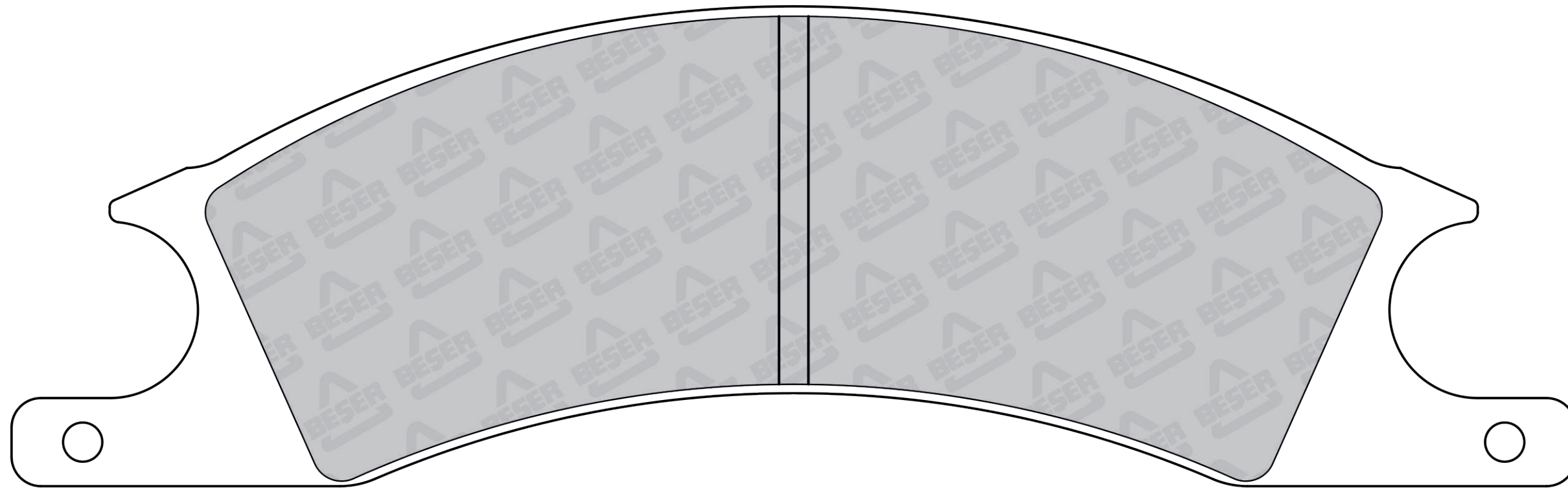
REFERENCE	T(mm)	REMARKS	MAKE	F/R	WVA No
3386	26	4 PADS PLAIN	---	---	20626



150,5 x 114,4
(1:1 SCALE)



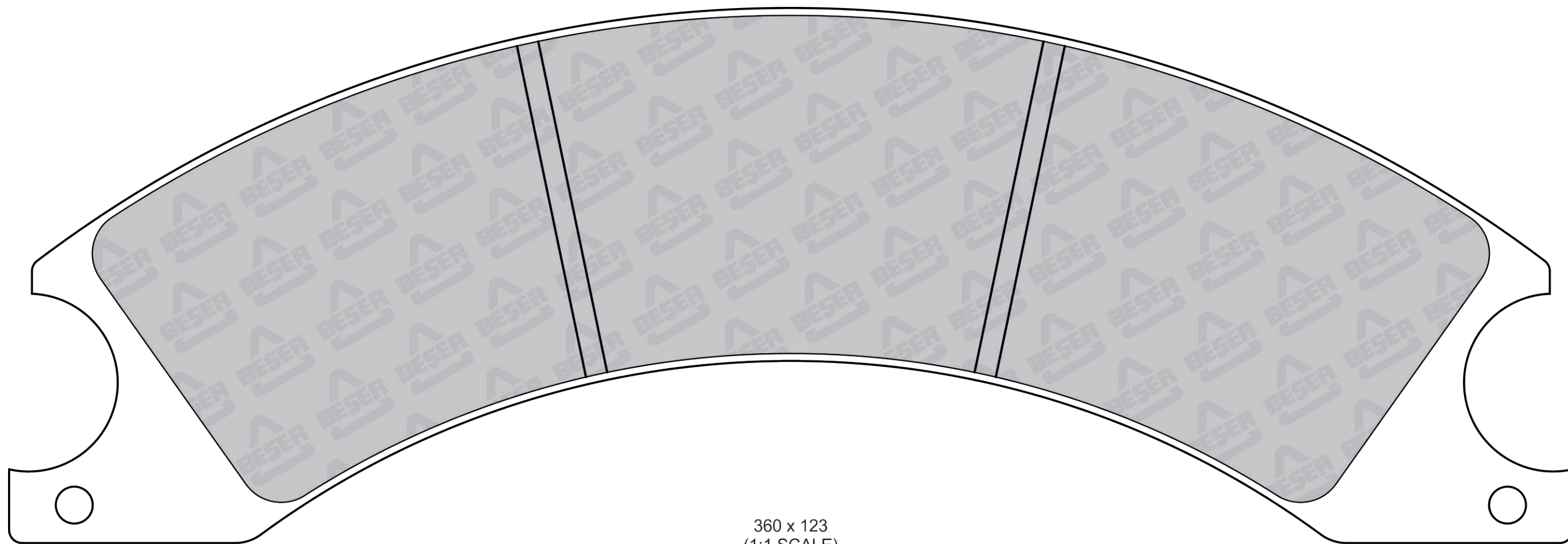
REFERENCE	T(mm)	REMARKS	MAKE	F/R	WVA No
3387	22	4 PADS PLAIN	---	---	---



319,2 x 97,8
(1:1 SCALE)



REFERENCE	T(mm)	REMARKS	MAKE	F/R	WVA No
3388	29	4 PADS PLAIN	---	---	---



360 x 123
(1:1 SCALE)



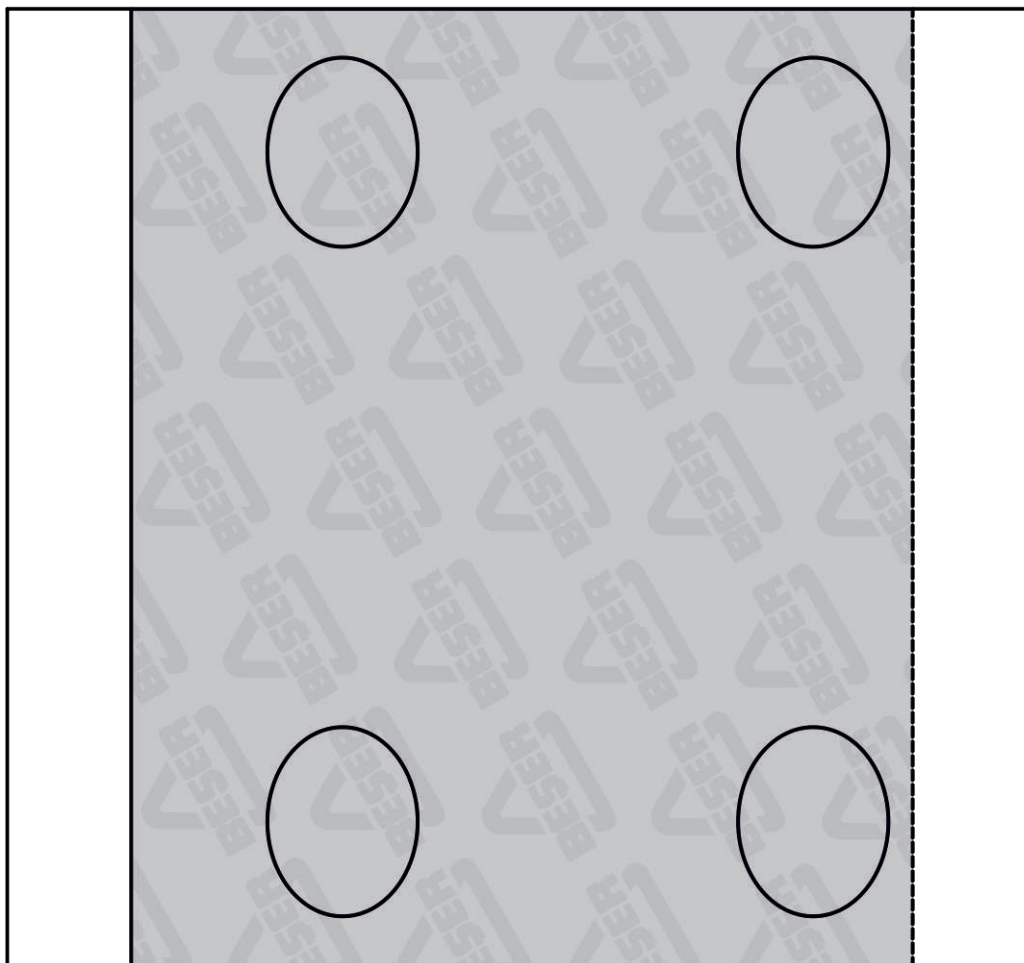
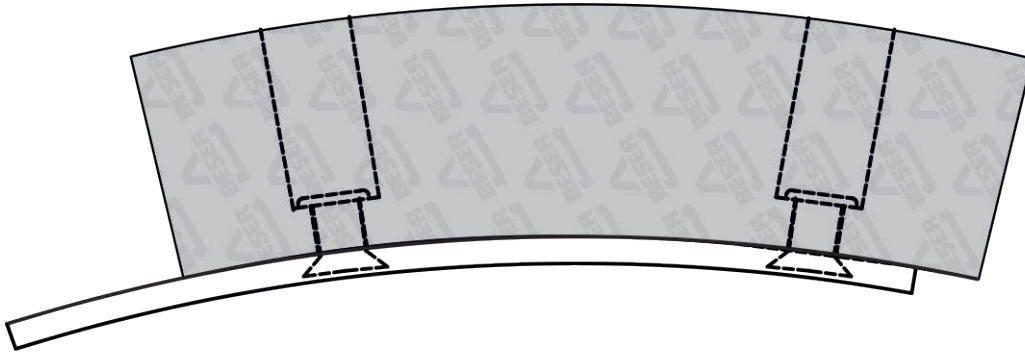
REFERENCE	T(mm)	REMARKS	MAKE	F/R	WVA No
3391	22,7	1 PAD PLAIN	--	--	--



218,5 x 83
(1:1 SCALE)



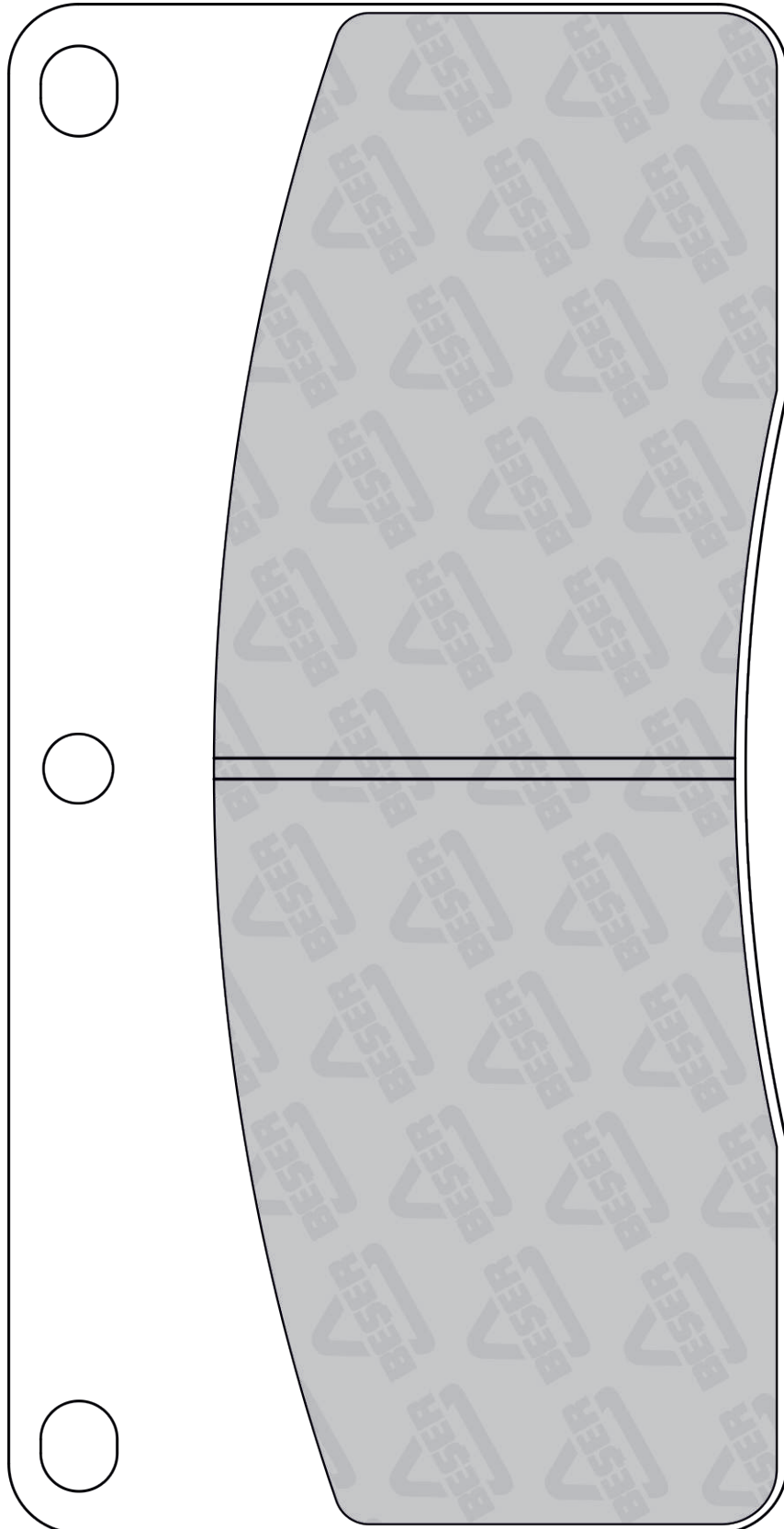
REFERENCE	T(mm)	REMARKS	MAKE	F/R	WVA No
3392	30,75	4 PADS PLAIN	---	---	---



135,4 x 126,4
(1:1 SCALE)



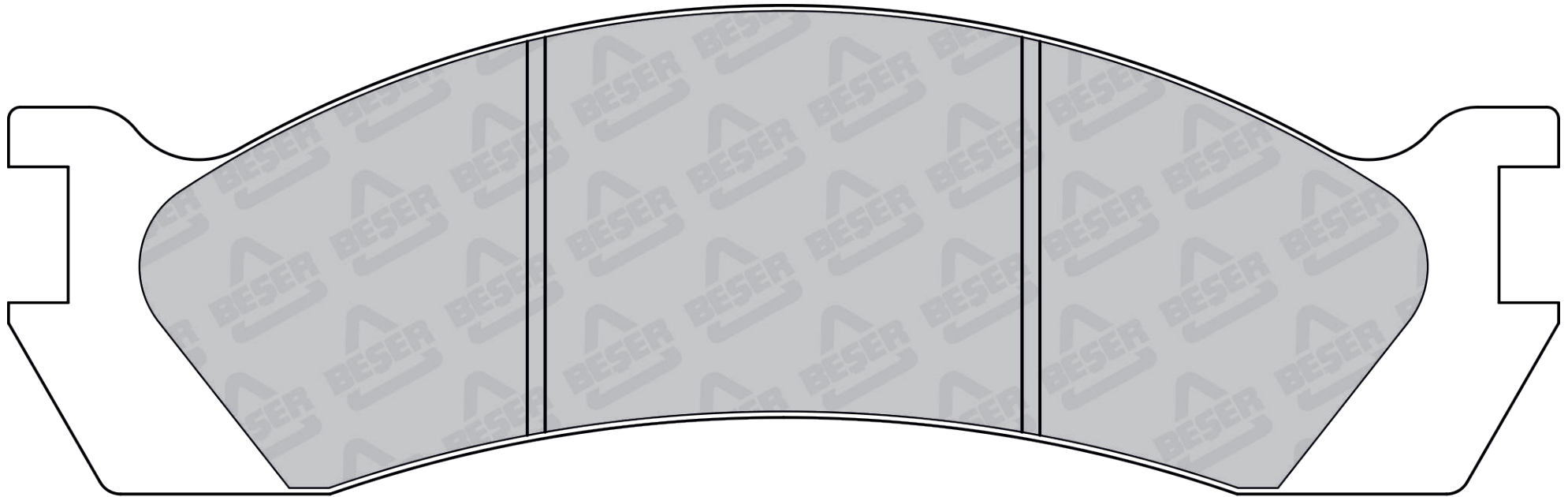
REFERENCE	T(mm)	REMARKS	MAKE	F/R	WVA No
3396	23	4 PADS PLAIN	---	---	---



220 x 112
(1:1 SCALE)



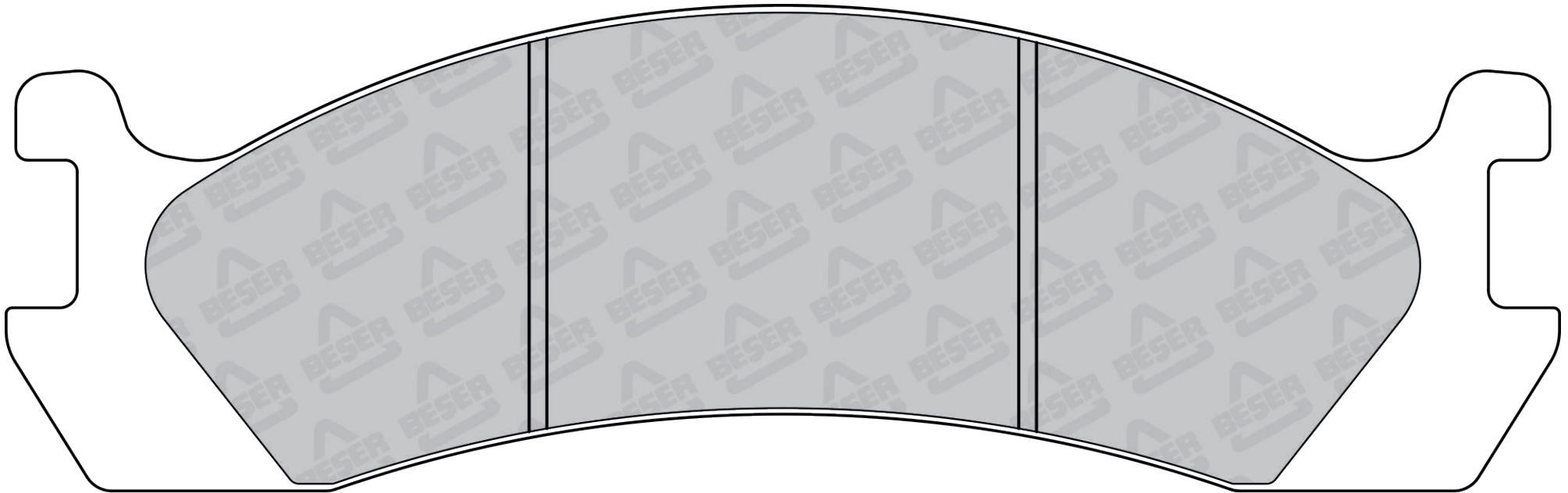
REFERENCE	T(mm)	REMARKS	MAKE	F/R	WVA No
3398	21,6	4 PADS PLAIN	---	---	---



260 x 81,8
(1:1 SCALE)



REFERENCE	T(mm)	REMARKS	MAKE	F/R	WVA No
3398/1	21,6	4 PADS PLAIN	---	---	---



263 x 82,2
(1:1 SCALE)



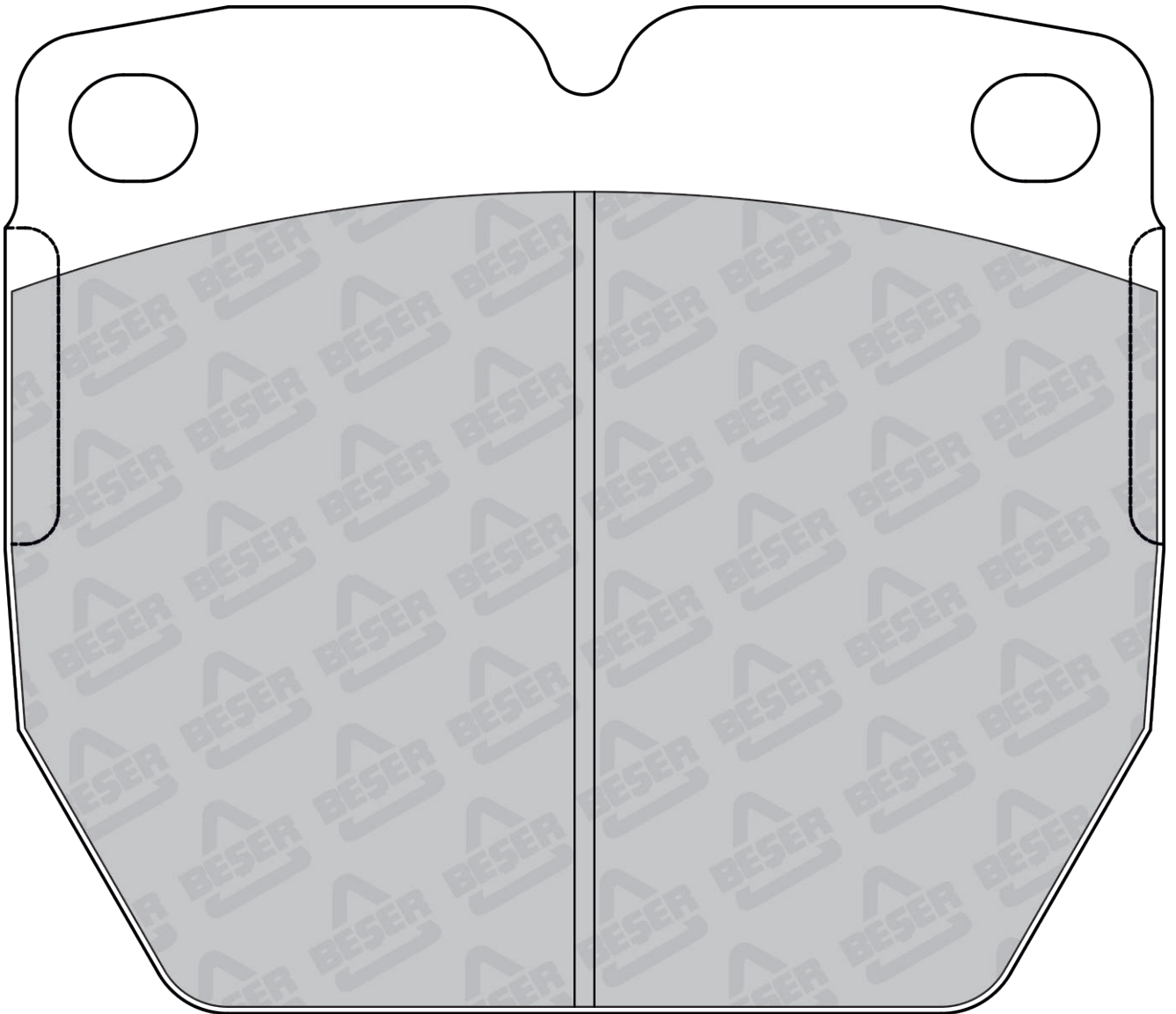
REFERENCE	T(mm)	REMARKS	MAKE	F/R	WVA No
3399	19	1 PADS PLAIN	CALSA - CASE	---	52151 52251



115 x 73,5
(1:1 SCALE)



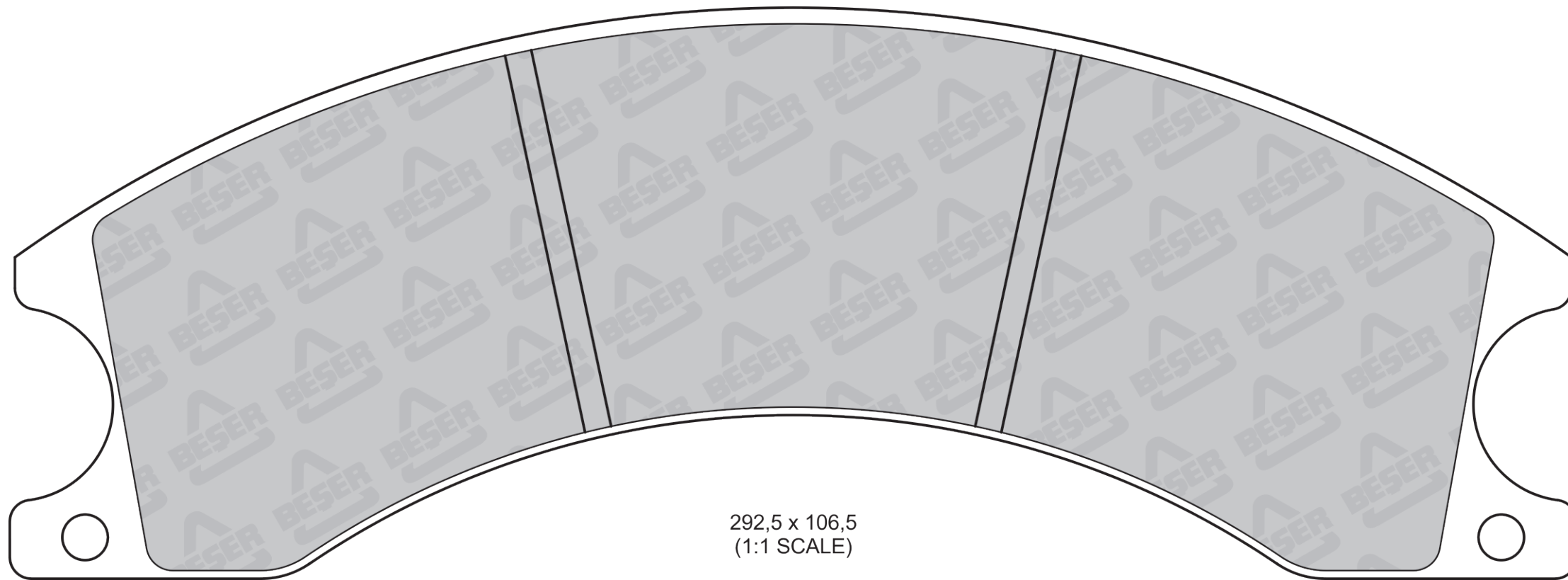
REFERENCE	T(mm)	REMARKS	MAKE	F/R	WVA No
3409	34	4 PADS PLAIN	---	---	---



174 x 151,2
(1:1 SCALE)

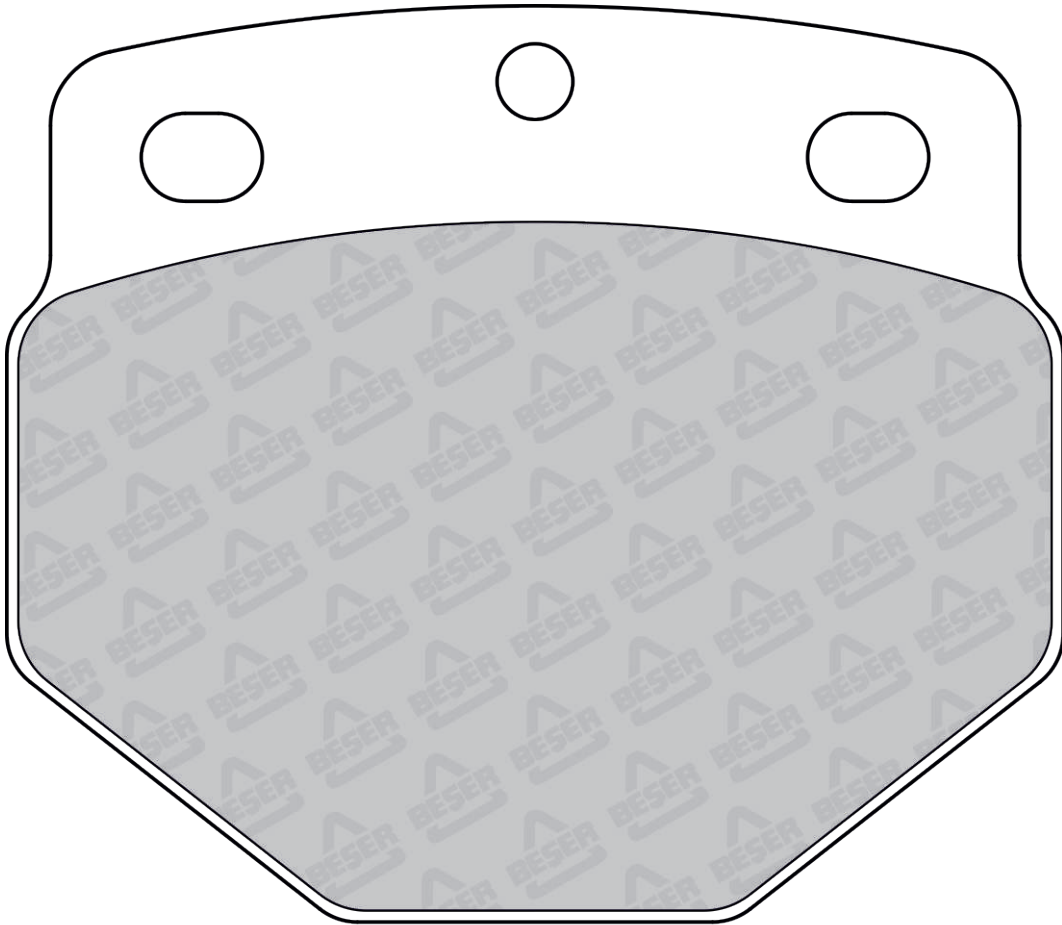


REFERENCE	T(mm)	REMARKS	MAKE	F/R	WVA No
3411	23	4 PADS PLAIN	---	---	---





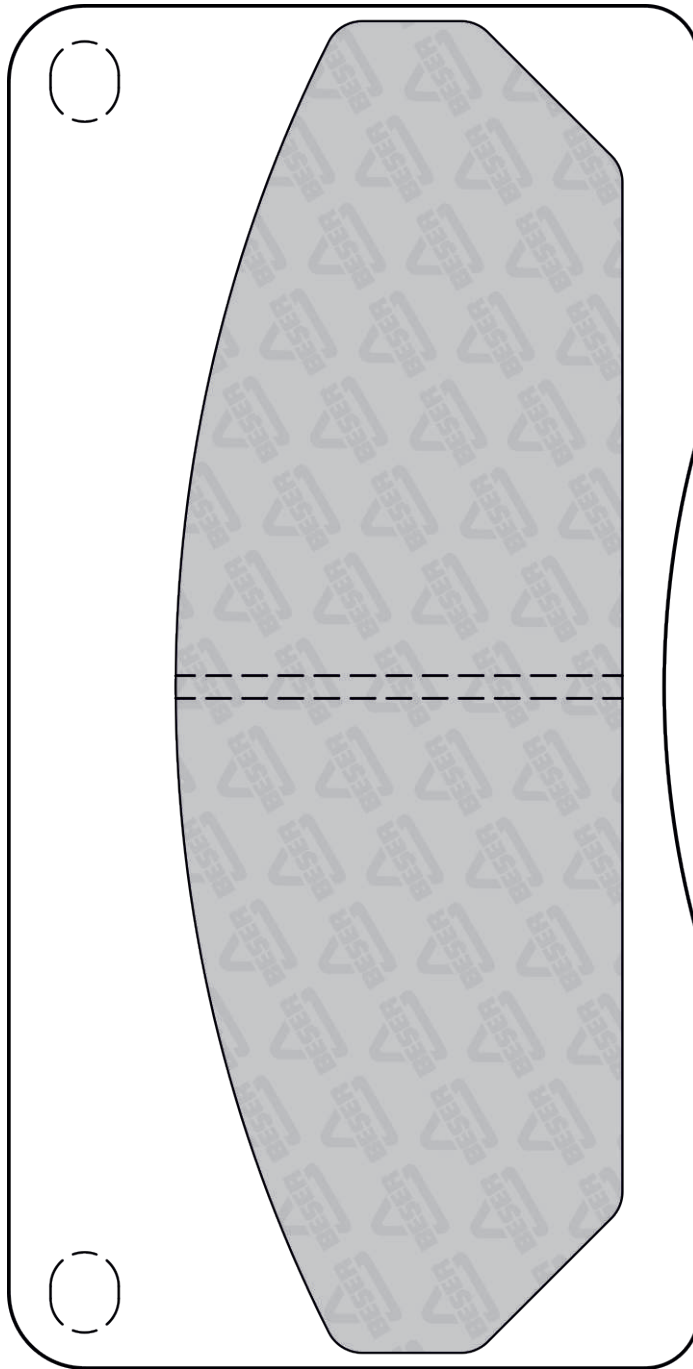
REFERENCE	T(mm)	REMARKS	MAKE	F/R	WVA No
3434	32	4 PADS PLAIN	---	---	29747



139,5 x 121
(1:1 SCALE)



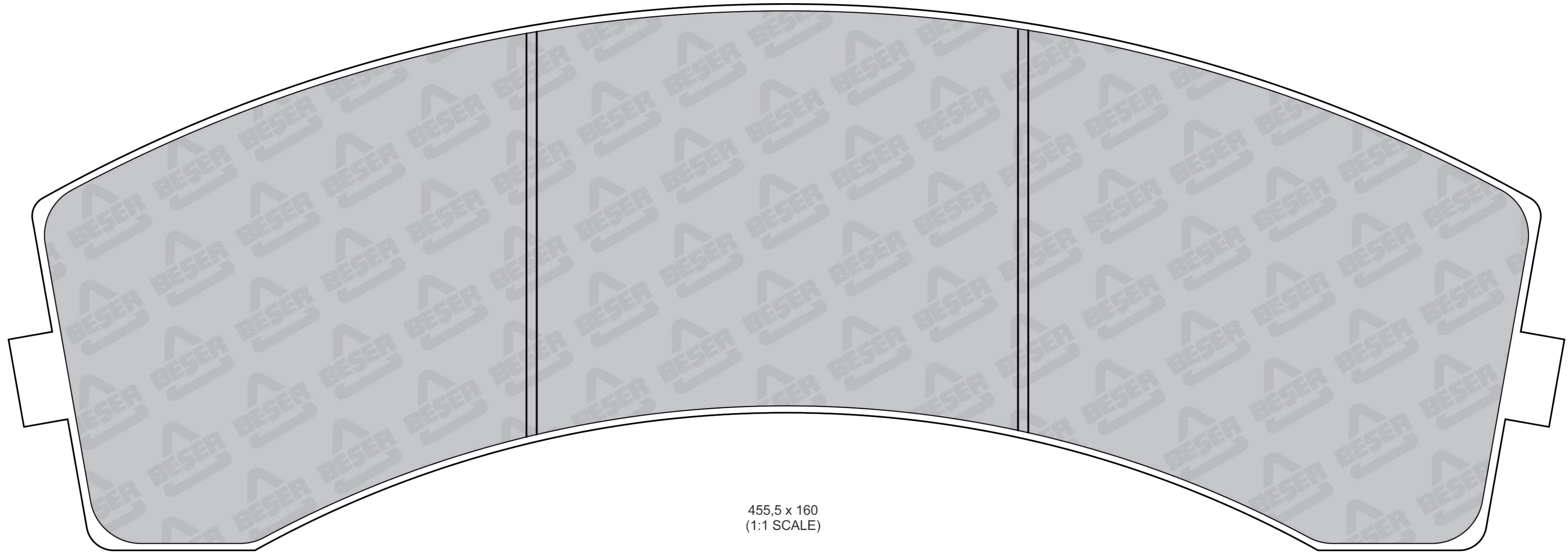
REFERENCE	T(mm)	REMARKS	MAKE	F/R	WVA No
3435	22,2	4 PADS PLAIN	---	---	---



180 x 91
(1:1 SCALE)

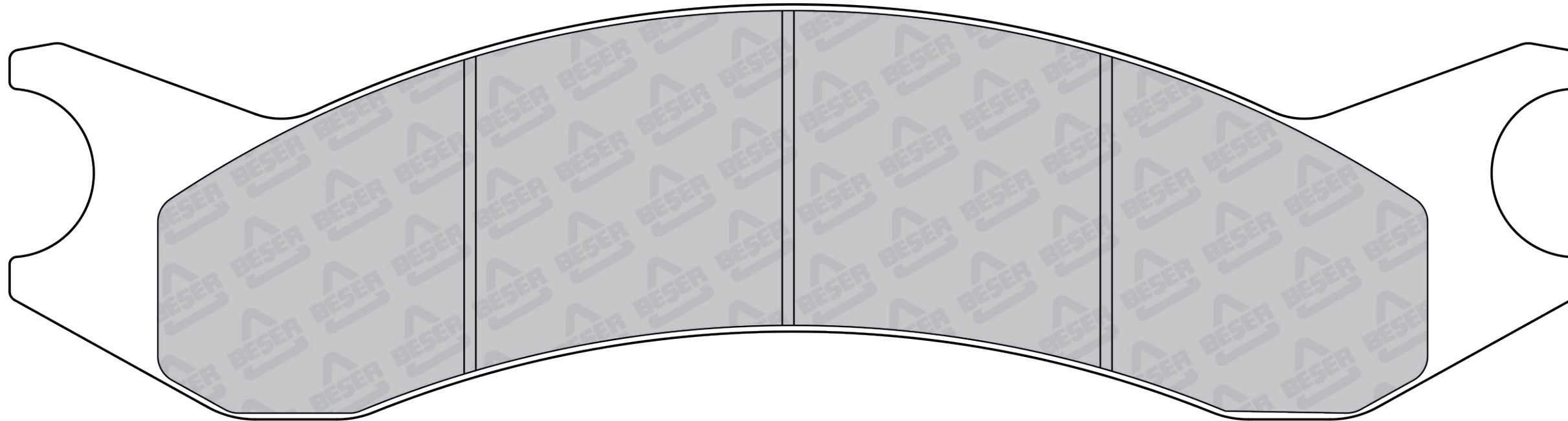


REFERENCE	T(mm)	REMARKS	MAKE	F/R	WVA No
3477	35,5	4 PADS PLAIN	---	---	---





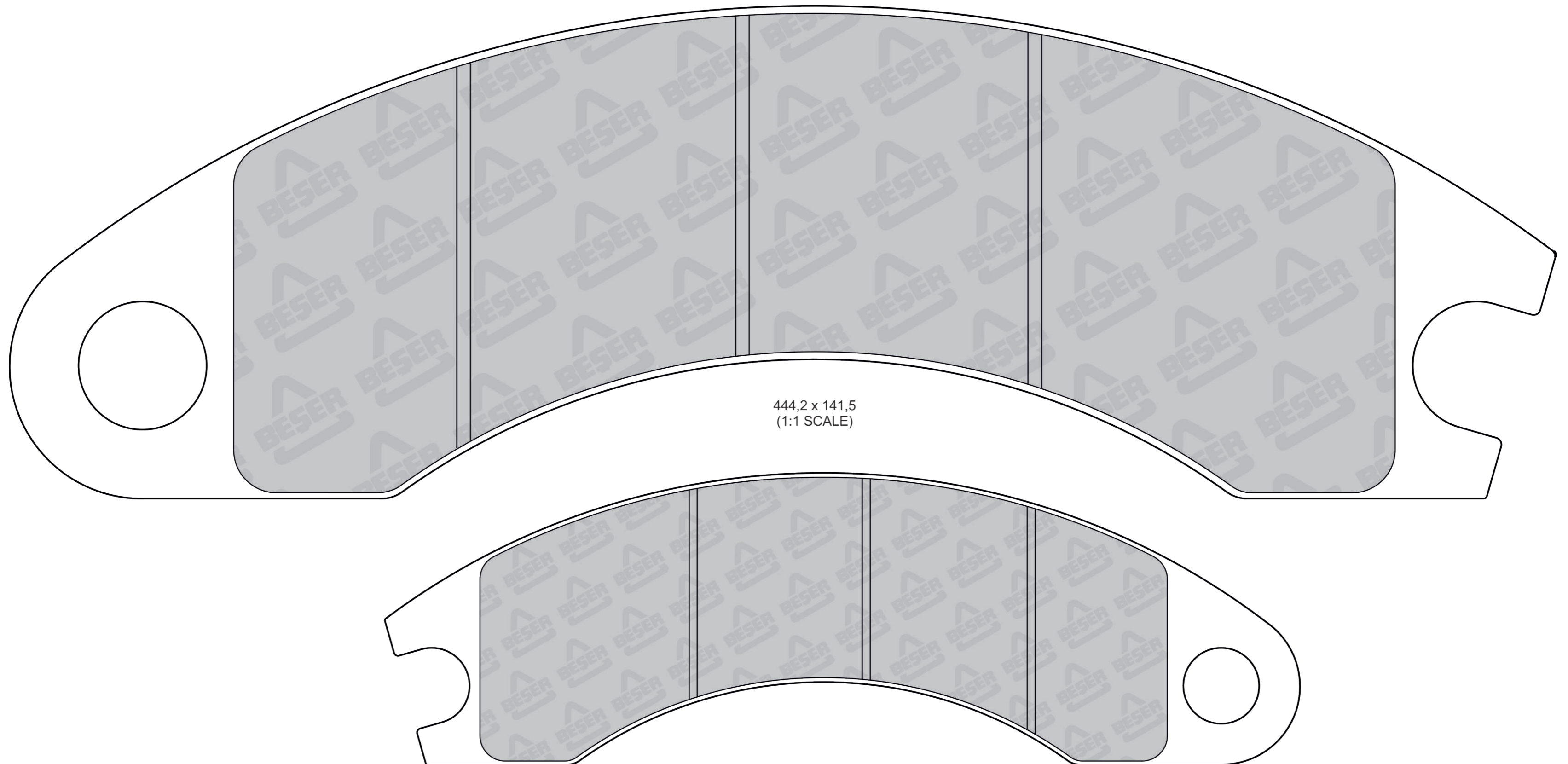
REFERENCE	T(mm)	REMARKS	MAKE	F/R	WVA No
3576	22	4 PADS PLAIN	---	---	---



320 x 84,8
(1:1 SCALE)

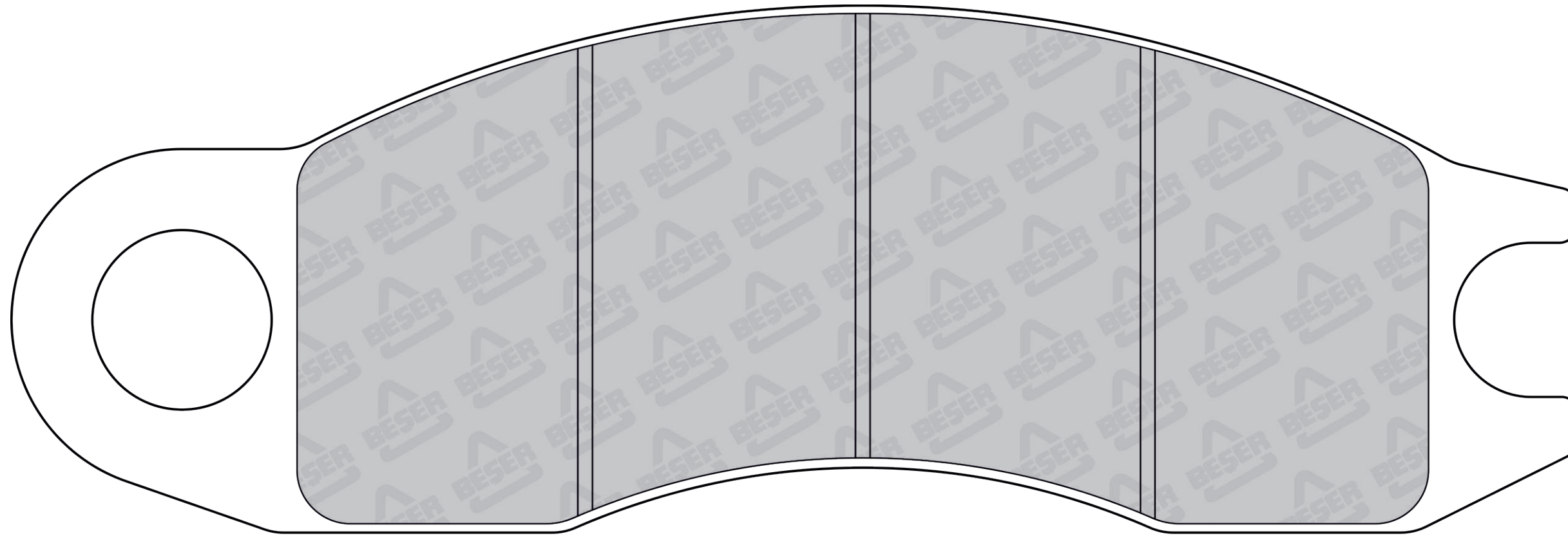


REFERENCE	T(mm)	REMARKS	MAKE	F/R	WVA No
3591	28	4 PADS PLAIN	---	---	---





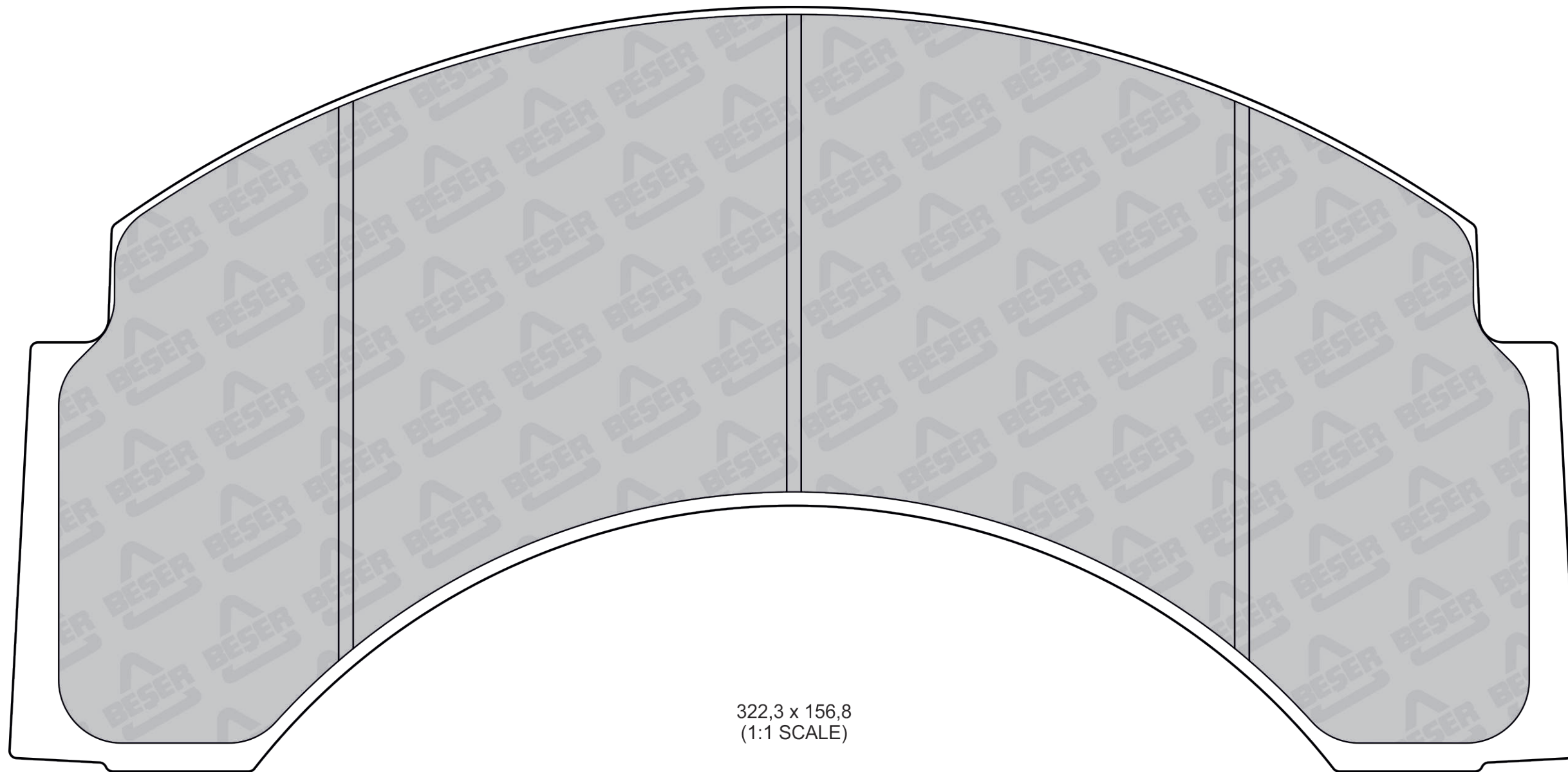
REFERENCE	T(mm)	REMARKS	MAKE	F/R	WVA No
3783	25	4 PADS PLAIN	---	---	---



321,3 x 108
(1:1 SCALE)

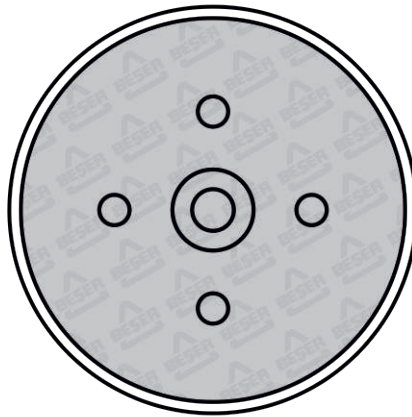


REFERENCE	T(mm)	REMARKS	MAKE	F/R	WVA No
3791	34	4 PADS PLAIN	---	---	---





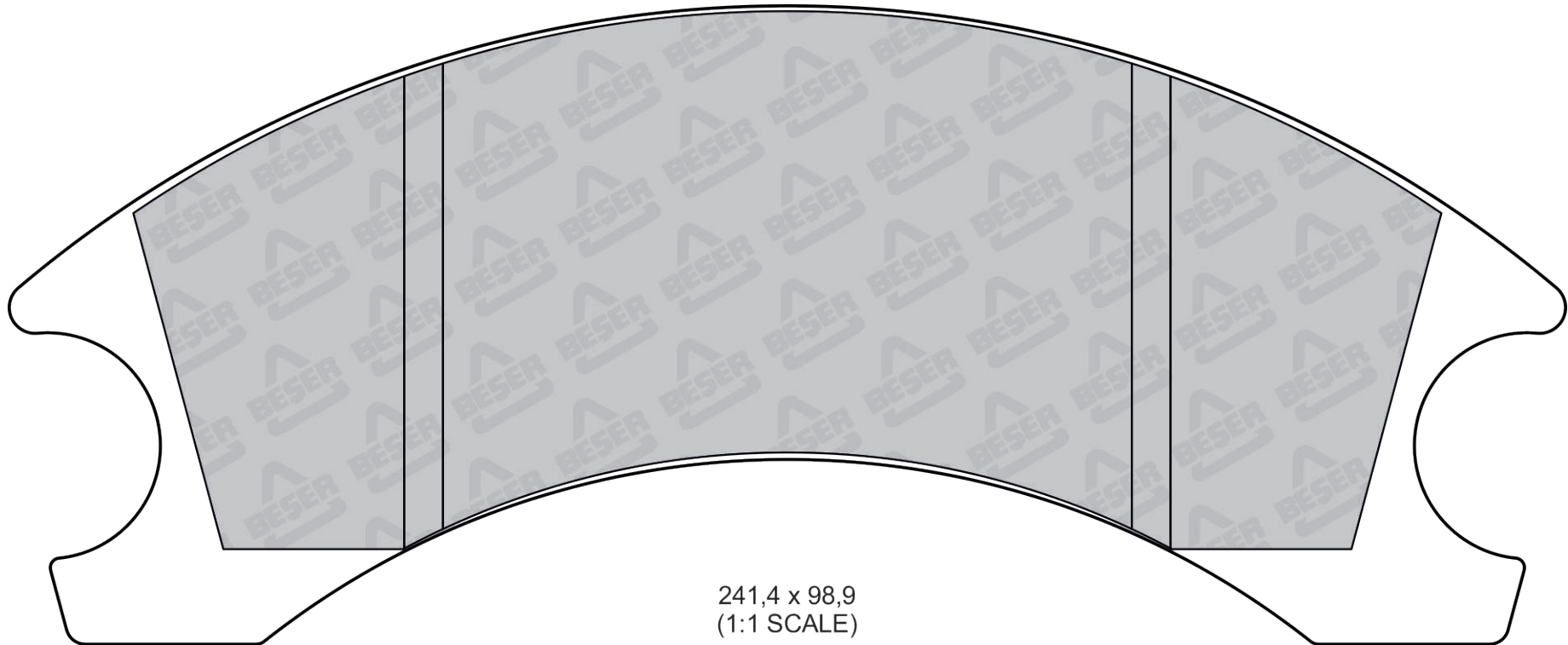
REFERENCE	T(mm)	REMARKS	MAKE	F/R	WVA No
3792	10,5	4 PADS PLAIN	---	---	---



Ø 53,7
(1:1 SCALE)

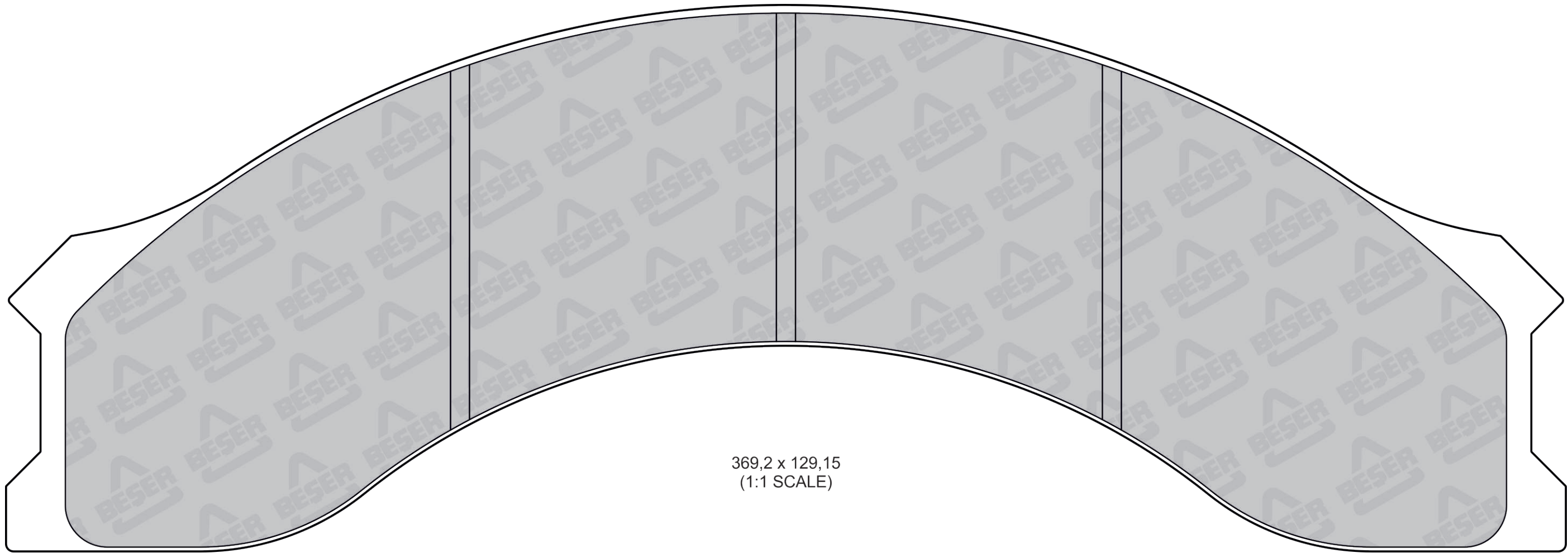


REFERENCE	T(mm)	REMARKS	MAKE	F/R	WVA No
3824	17,8	4 PADS PLAIN	---	---	---



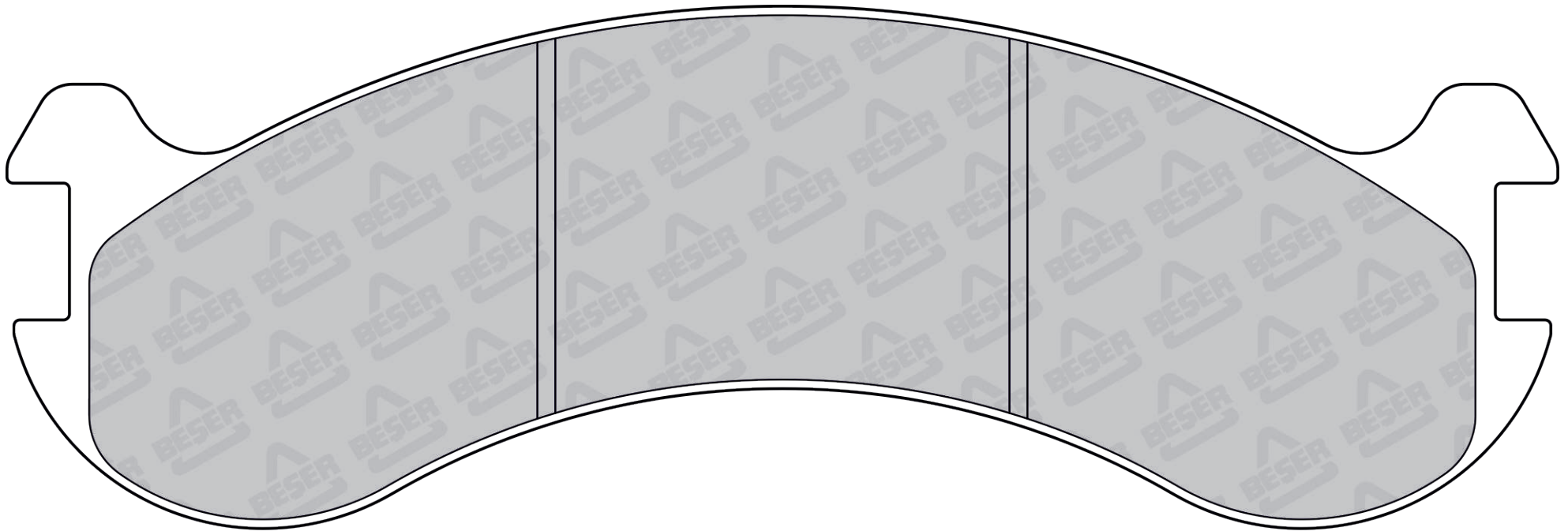


REFERENCE	T(mm)	REMARKS	MAKE	F/R	WVA No
3937	27	4 PADS PLAIN	---	---	---





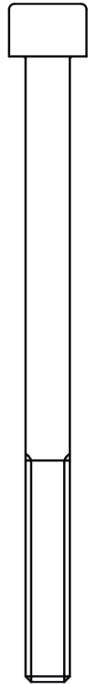
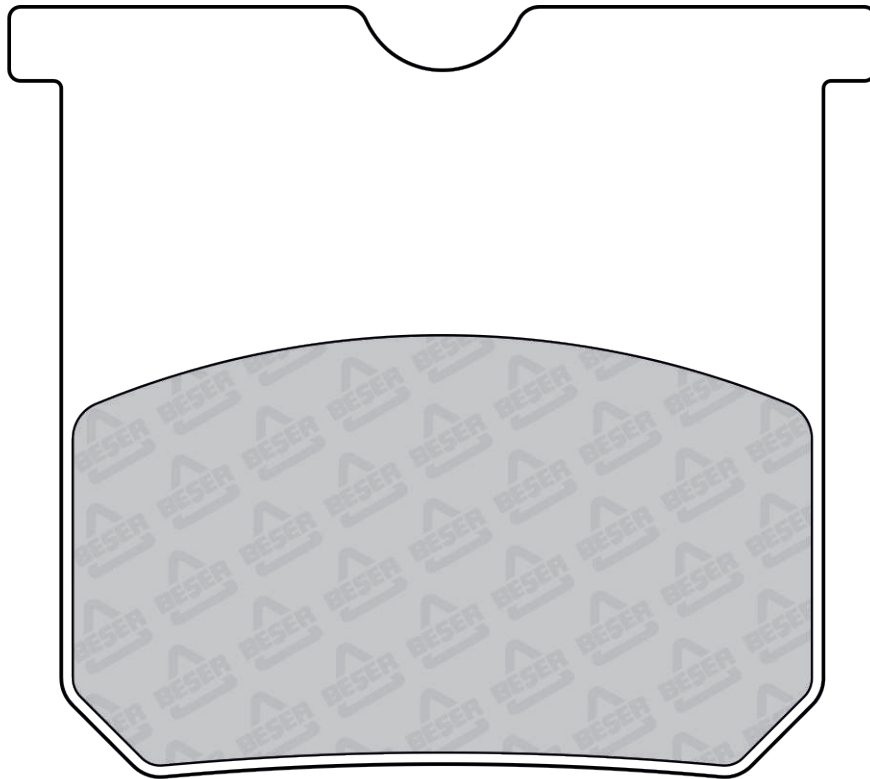
REFERENCE	T(mm)	REMARKS	MAKE	F/R	WVA No
4043	32	4 PADS PLAIN	---	---	---



259,5 x 87,41
(1:1 SCALE)



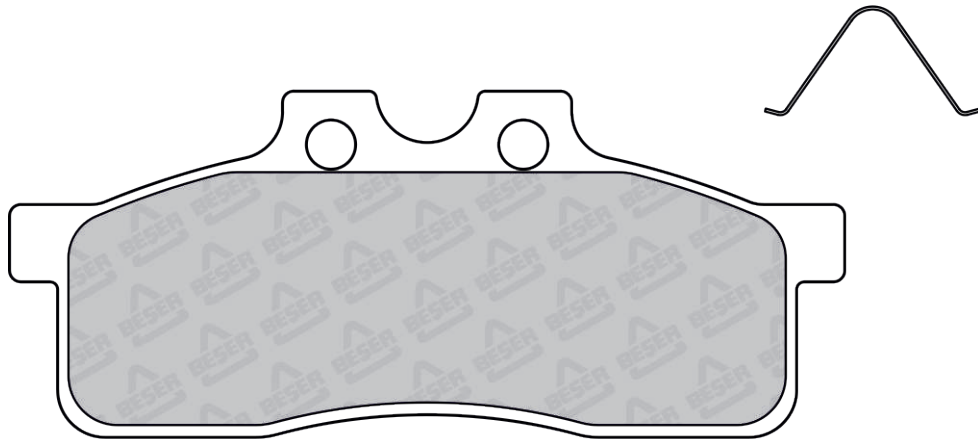
REFERENCE	T(mm)	REMARKS	MAKE	F/R	WVA No
4044	12,5	4 PADS PLAIN	---	---	---



114,5 x 101,5
(1:1 SCALE)

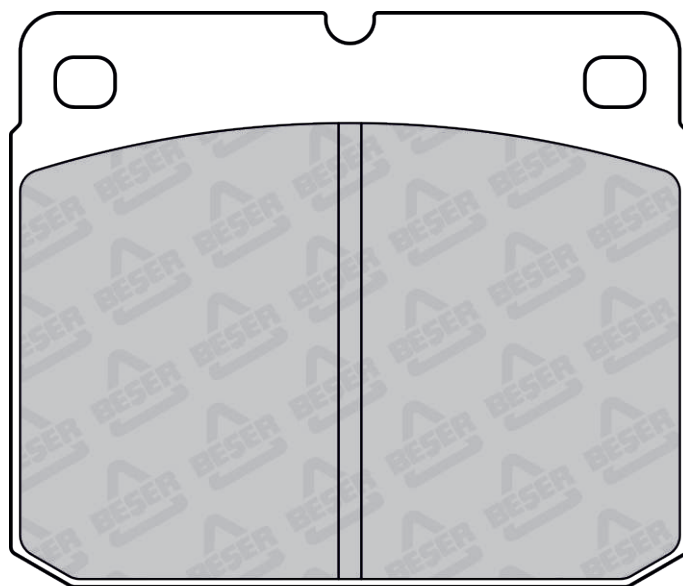


REFERENCE	T(mm)	REMARKS	MAKE	F/R	WVA No
4045	10,6	4 PADS PLAIN	---	---	---



110,3 x 45,65
(1:1 SCALE)

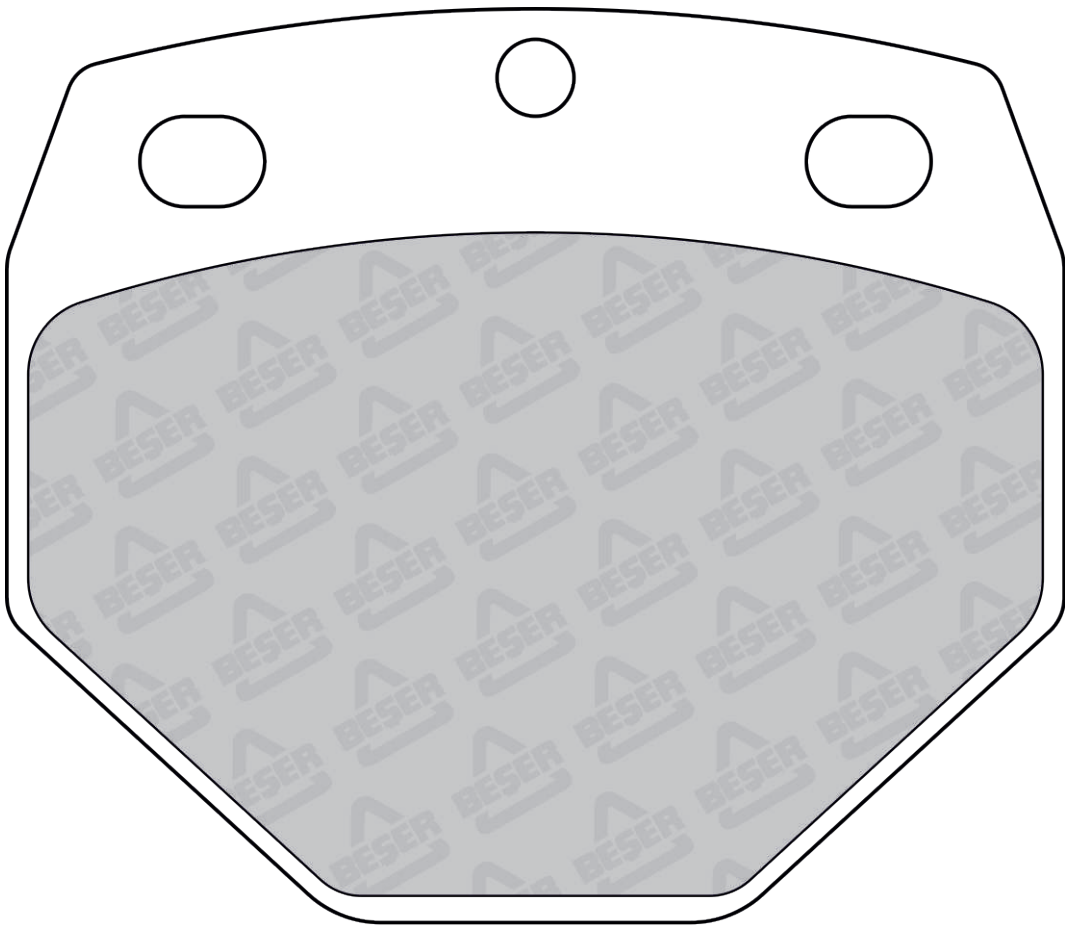
REFERENCE	T(mm)	REMARKS	MAKE	F/R	WVA No
4063	16,5	4 PADS PLAIN	---	---	---



89,5 x 75,85
(1:1 SCALE)



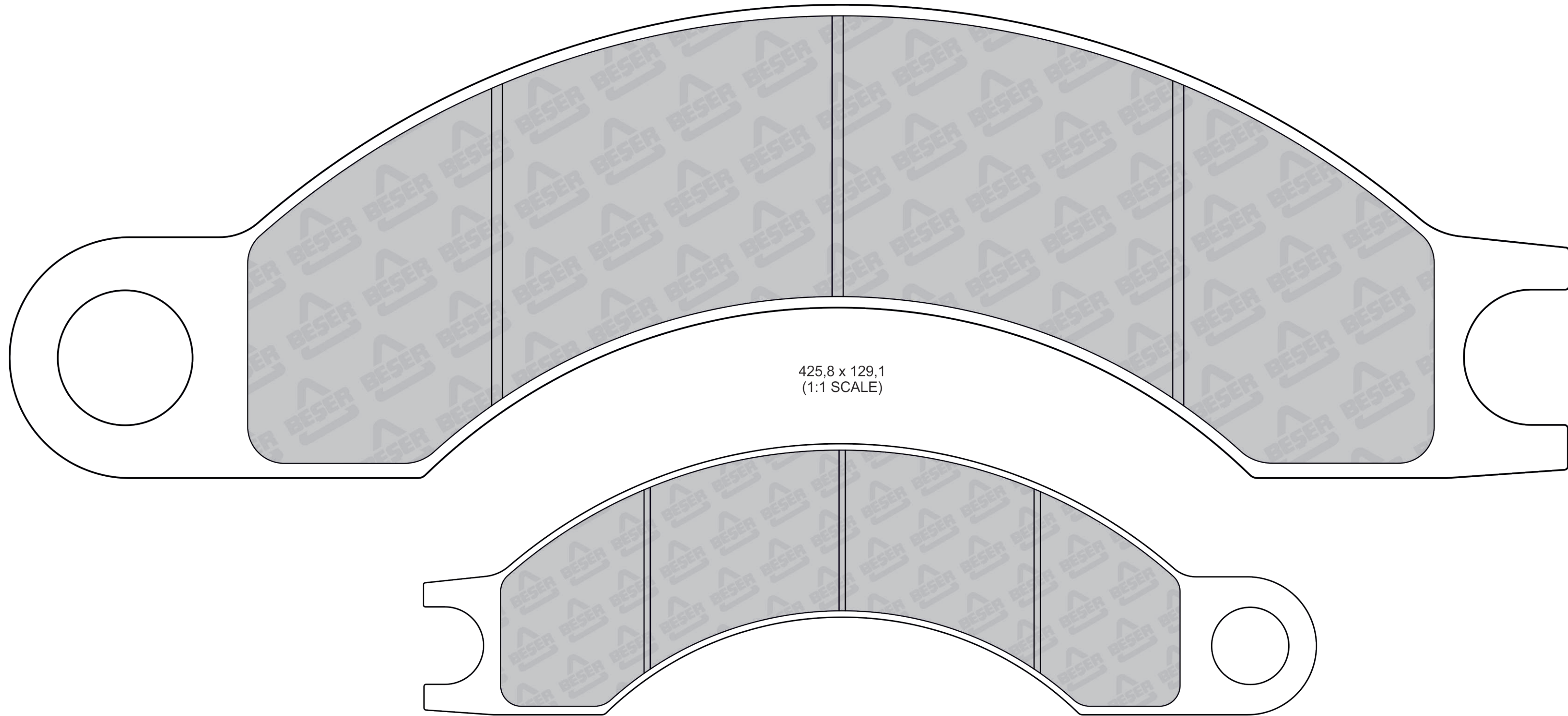
REFERENCE	T(mm)	REMARKS	MAKE	F/R	WVA No
4064	31	4 PADS PLAIN	---	---	---



139,6 x 120,6
(1:1 SCALE)

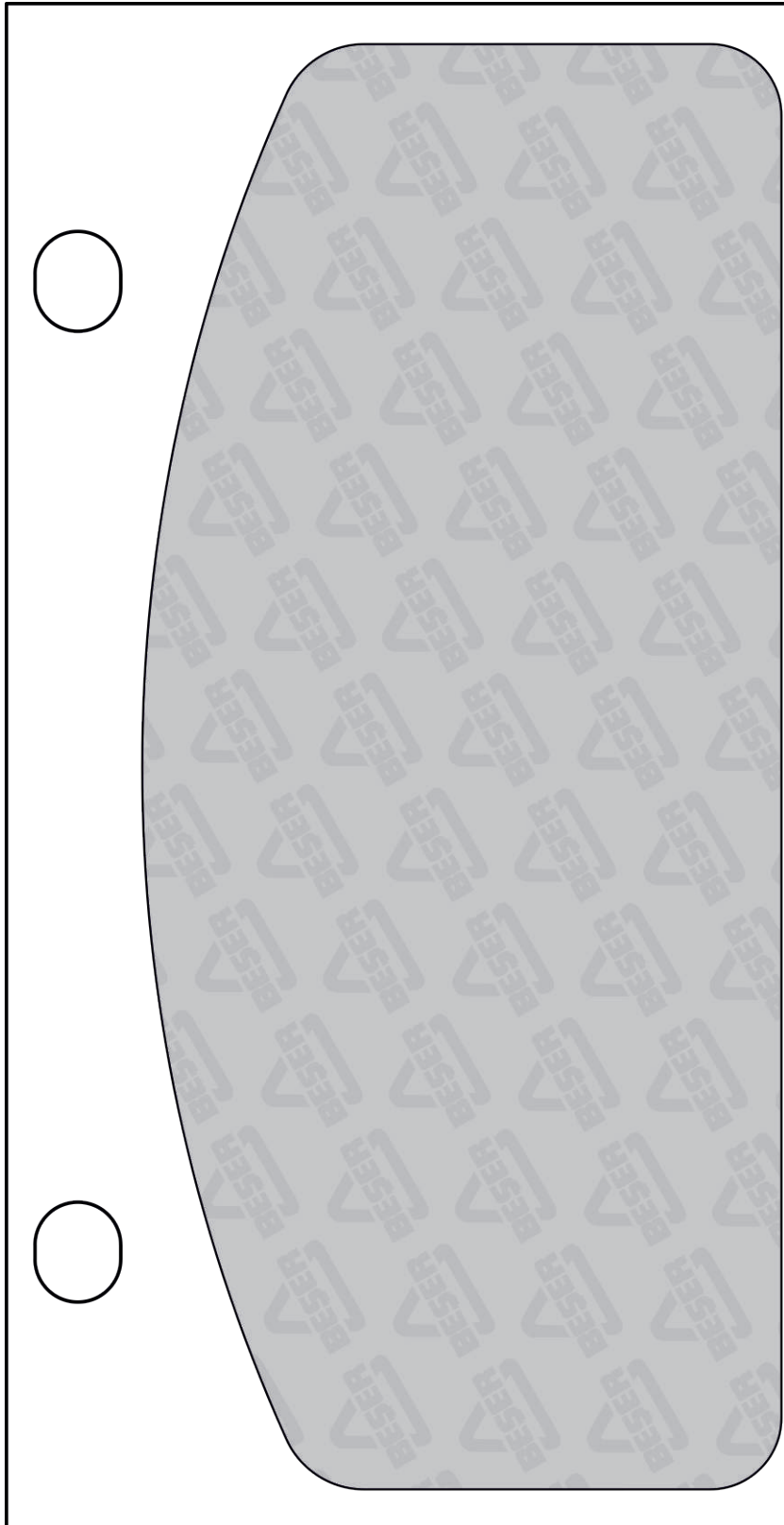


REFERENCE	T(mm)	REMARKS	MAKE	F/R	WVA No
4067	25	4 PADS PLAIN	---	---	---





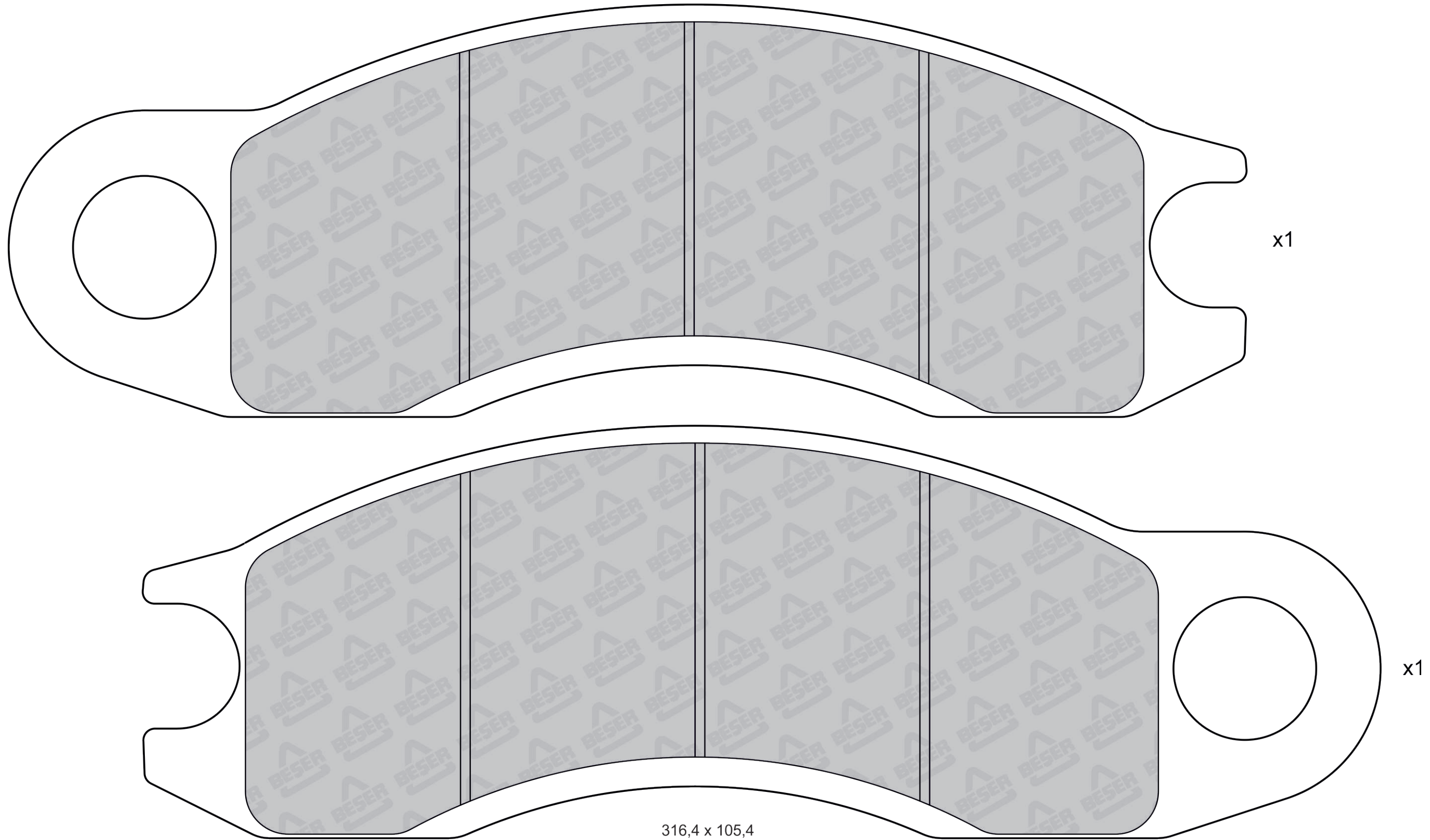
REFERENCE	T(mm)	REMARKS	MAKE	F/R	WVA No
4178	22,8	4 PADS PLAIN	--	--	--



213,8 x 110
(1:1 SCALE)



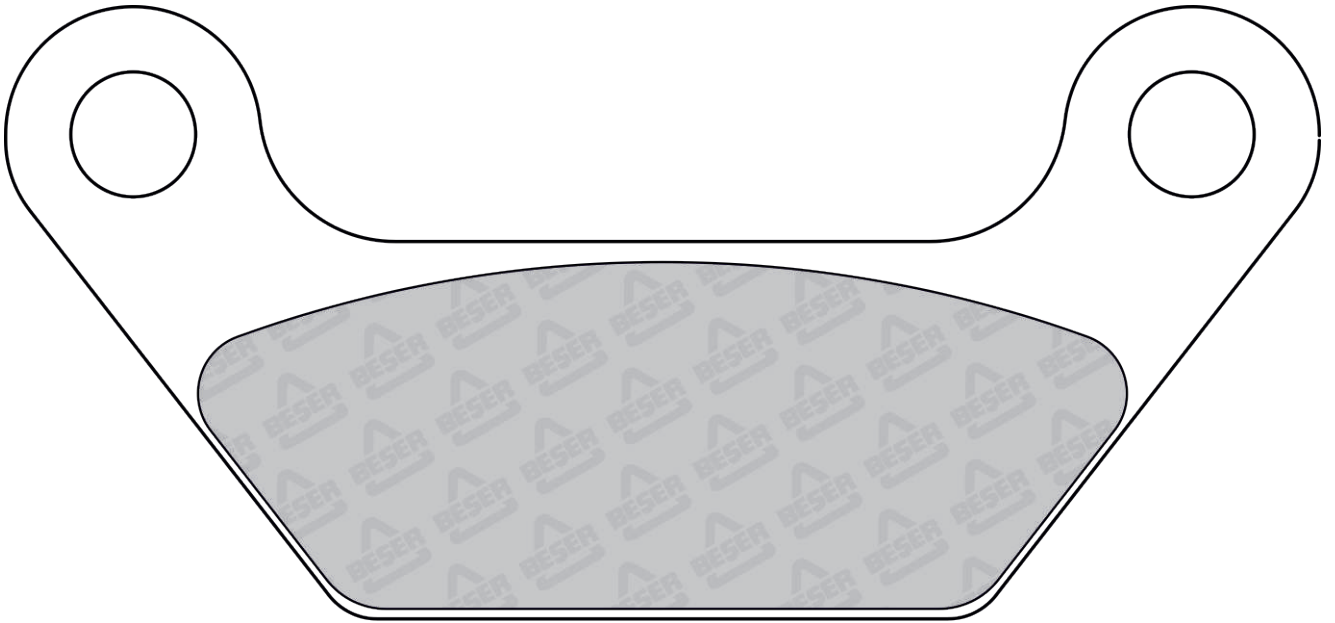
REFERENCE	T(mm)	REMARKS	MAKE	F/R	WVA No
4183	24,2	4 PADS PLAIN	---	---	---



316,4 x 105,4
(1:1 SCALE)

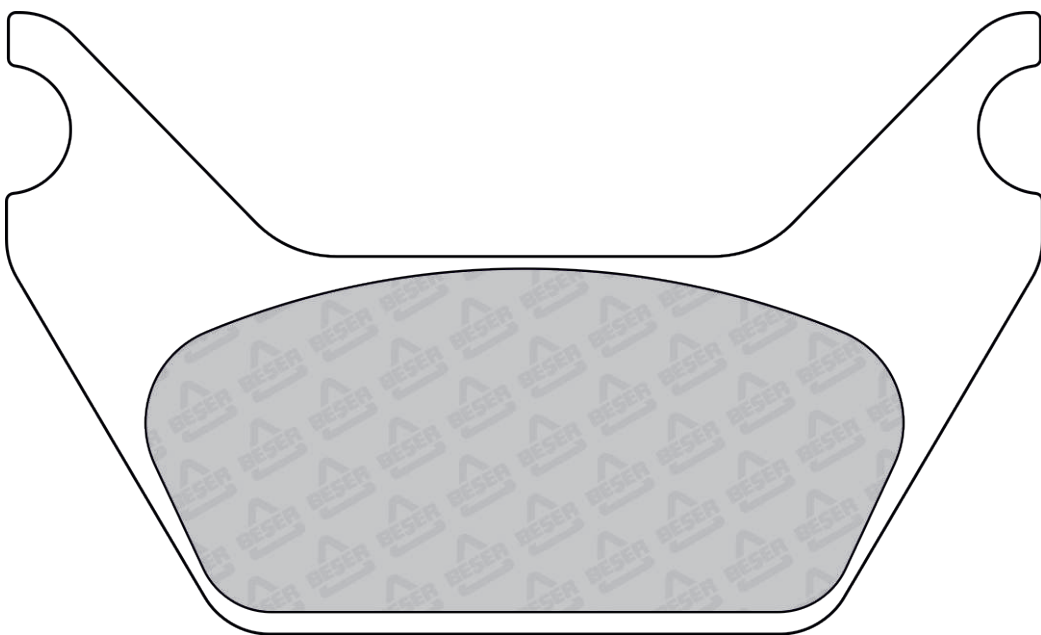


REFERENCE	T(mm)	REMARKS	MAKE	F/R	WVA No
4235	21,3	4 PADS PLAIN	--	--	--



173,6 x 80,8
(1:1 SCALE)

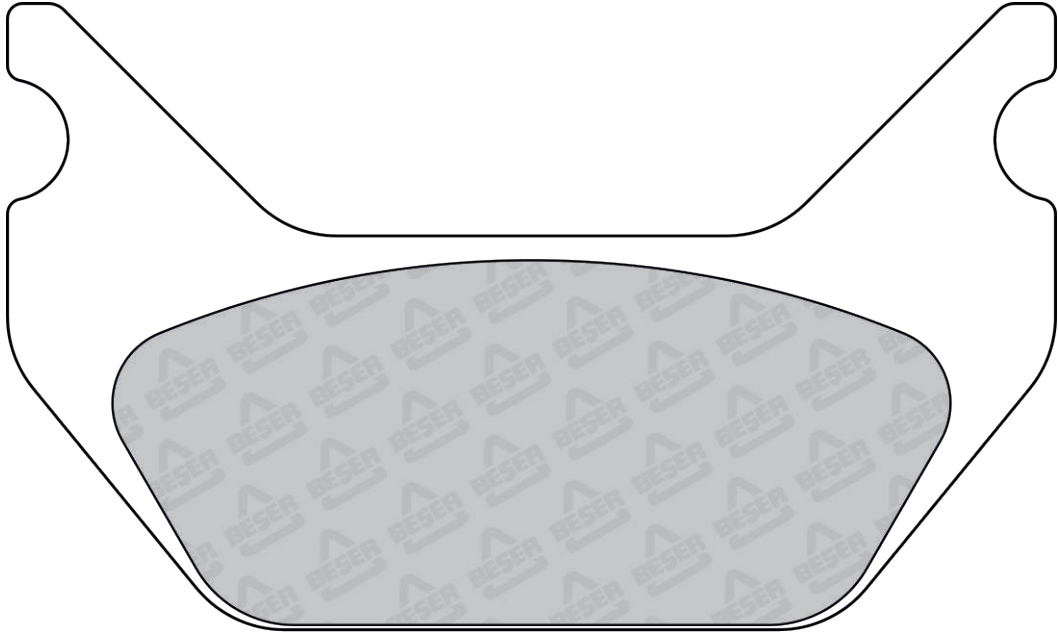
REFERENCE	T(mm)	REMARKS	MAKE	F/R	WVA No
4236	11,2	4 PADS PLAIN	--	--	--



136,8 x 82,3
(1:1 SCALE)

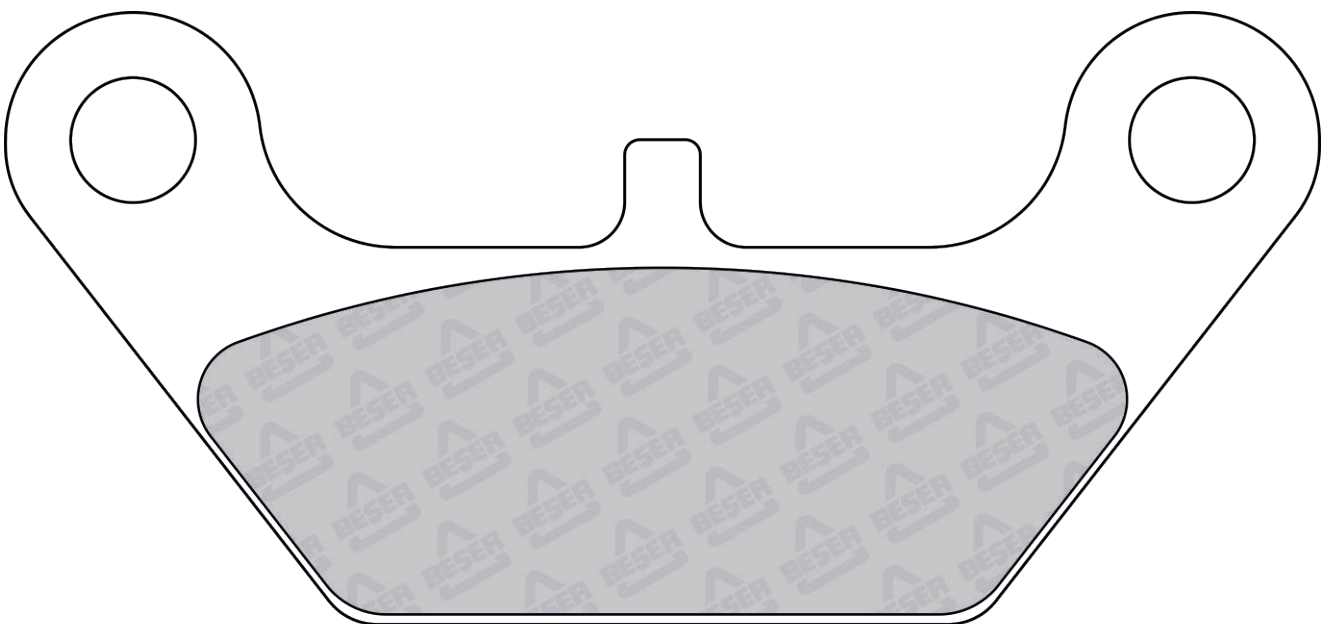


REFERENCE	T(mm)	REMARKS	MAKE	F/R	WVA No
4237	10,8	4 PADS PLAIN	---	---	---



138,40 x 82,7
(1:1 SCALE)

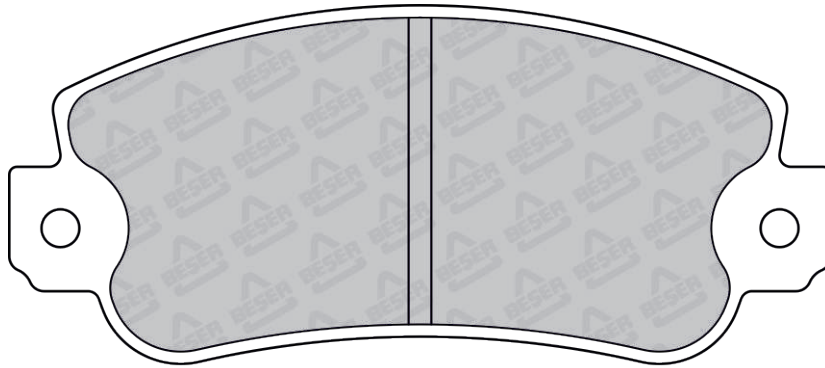
REFERENCE	T(mm)	REMARKS	MAKE	F/R	WVA No
4238	13,2	4 PADS PLAIN	---	---	---



173,6 x 80,8
(1:1 SCALE)

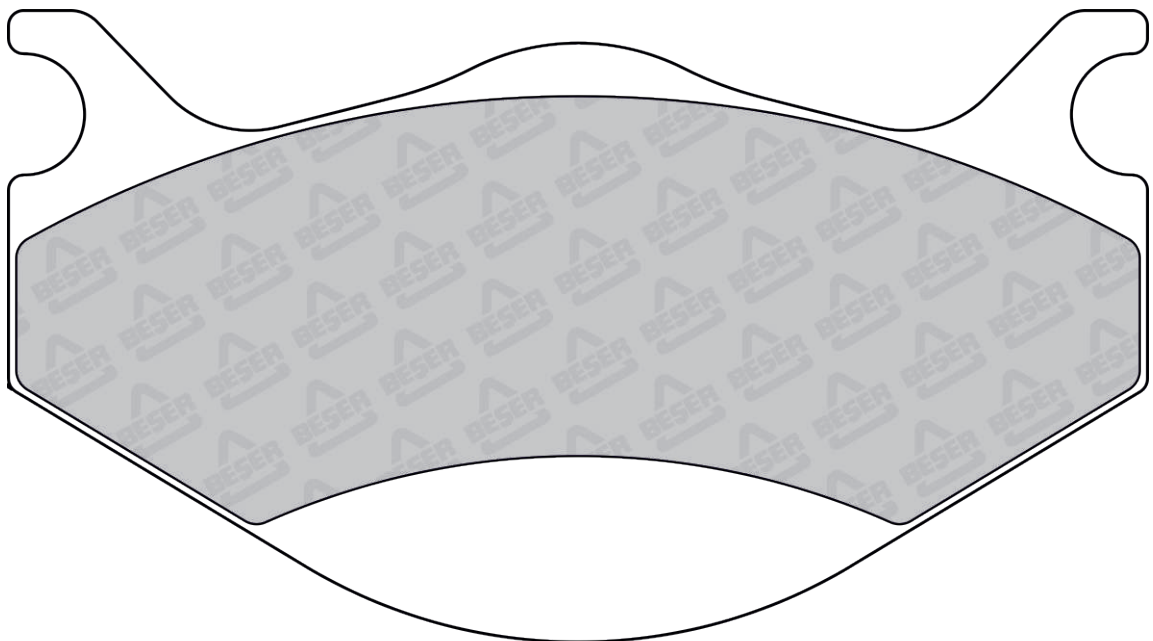


REFERENCE	T(mm)	REMARKS	MAKE	F/R	WVA No
4261	17	4 PADS PLAIN	---	---	---



108,5 x 47,29
(1:1 SCALE)

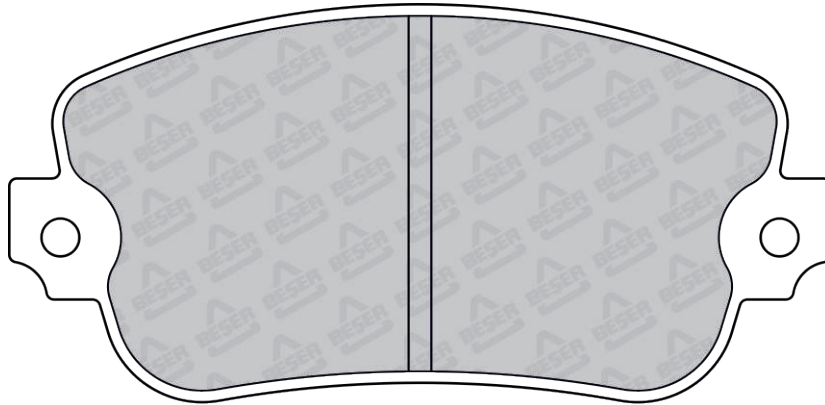
REFERENCE	T(mm)	REMARKS	MAKE	F/R	WVA No
4262	19	4 PADS PLAIN	---	---	---



150,5 x 83,3
(1:1 SCALE)

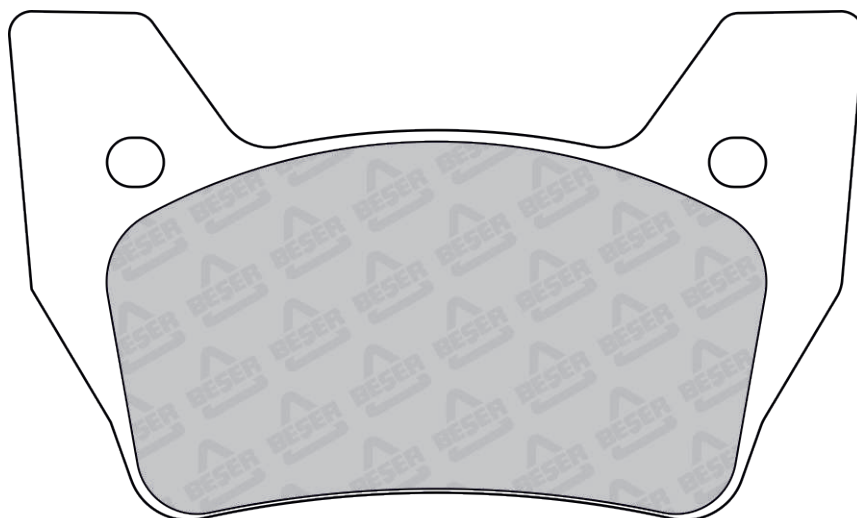


REFERENCE	T(mm)	REMARKS	MAKE	F/R	WVA No
4263	17	4 PADS PLAIN	---	---	---



108,5 x 52,55
(1:1 SCALE)

REFERENCE	T(mm)	REMARKS	MAKE	F/R	WVA No
4264	9,2	4 PADS PLAIN	---	---	---



112,8 x 67,2
(1:1 SCALE)

